



US00D814081S

(12) **United States Design Patent**  
**Ha et al.**

(10) **Patent No.:** **US D814,081 S**  
(45) **Date of Patent:** **\*\* Mar. 27, 2018**

(54) **REAR COMBINATION LAMP FOR VEHICLE**

(71) Applicant: **HYUNDAI MOTOR COMPANY,**  
Seoul (KR)

(72) Inventors: **Ji-Won Ha,** Suwon-si (KR);  
**Chang-Hoon Choi,** Suwon-si (KR);  
**Ki-Euk Kim,** Hwaseong-si (KR)

(73) Assignee: **Hyundai Motor Company,** Seoul (KR)

(\*\*) Term: **15 Years**

(21) Appl. No.: **35/501,940**

(22) Filed: **May 20, 2016**

(80) **Hague Agreement Data**

Int. Filing Date: **May 20, 2016**

Int. Reg. No.: **DM/091070**

Int. Reg. Date: **May 20, 2016**

Int. Reg. Pub. Date: **Nov. 25, 2016**

(51) **LOC (11) Cl.** ..... **26-06**

(52) **U.S. Cl.**  
USPC ..... **D26/28**

(58) **Field of Classification Search**  
USPC ..... D26/28-36  
CPC ..... F21S 48/00; F21S 48/10; F21S 48/115;  
F21S 48/225; F21S 48/1233; F21S  
48/1266; F21S 48/1388; F21S 48/2266;  
F21V 21/04; B60Q 1/30; B60Q 1/2607;  
B60Q 1/2696; B62J 6/00; B62J 6/04  
See application file for complete search history.

(56) **References Cited**

**U.S. PATENT DOCUMENTS**

D655,429 S \* 3/2012 Fushimi ..... D26/28  
D657,482 S \* 4/2012 Kong ..... D26/28

D690,849 S \* 10/2013 Kawaguchi ..... D26/28  
D690,850 S \* 10/2013 Hanaoka ..... D26/28  
D692,599 S \* 10/2013 Kim ..... D26/28  
D701,631 S \* 3/2014 Goto ..... D26/28  
D716,478 S \* 10/2014 Loeb ..... D26/28  
D798,477 S \* 9/2017 Lai ..... D26/28  
D799,077 S \* 10/2017 Lai ..... D26/28

\* cited by examiner

*Primary Examiner* — Zenia Bennett

(74) *Attorney, Agent, or Firm* — Mintz Levin Cohn Ferris  
Glovsky and Popeo, P.C.; Kongsik Kim

(57) **CLAIM**

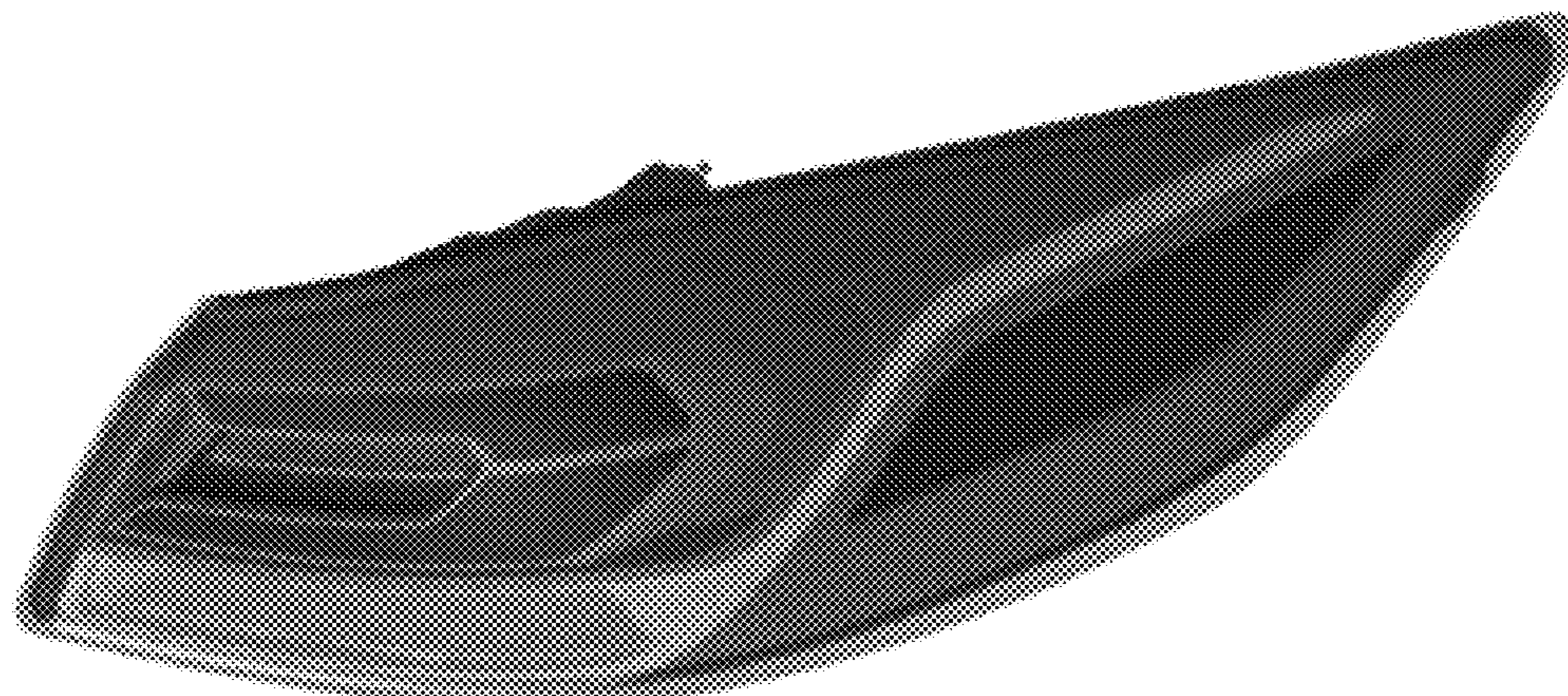
The ornamental design for a rear combination lamp for  
vehicle, as shown and described.

**DESCRIPTION**

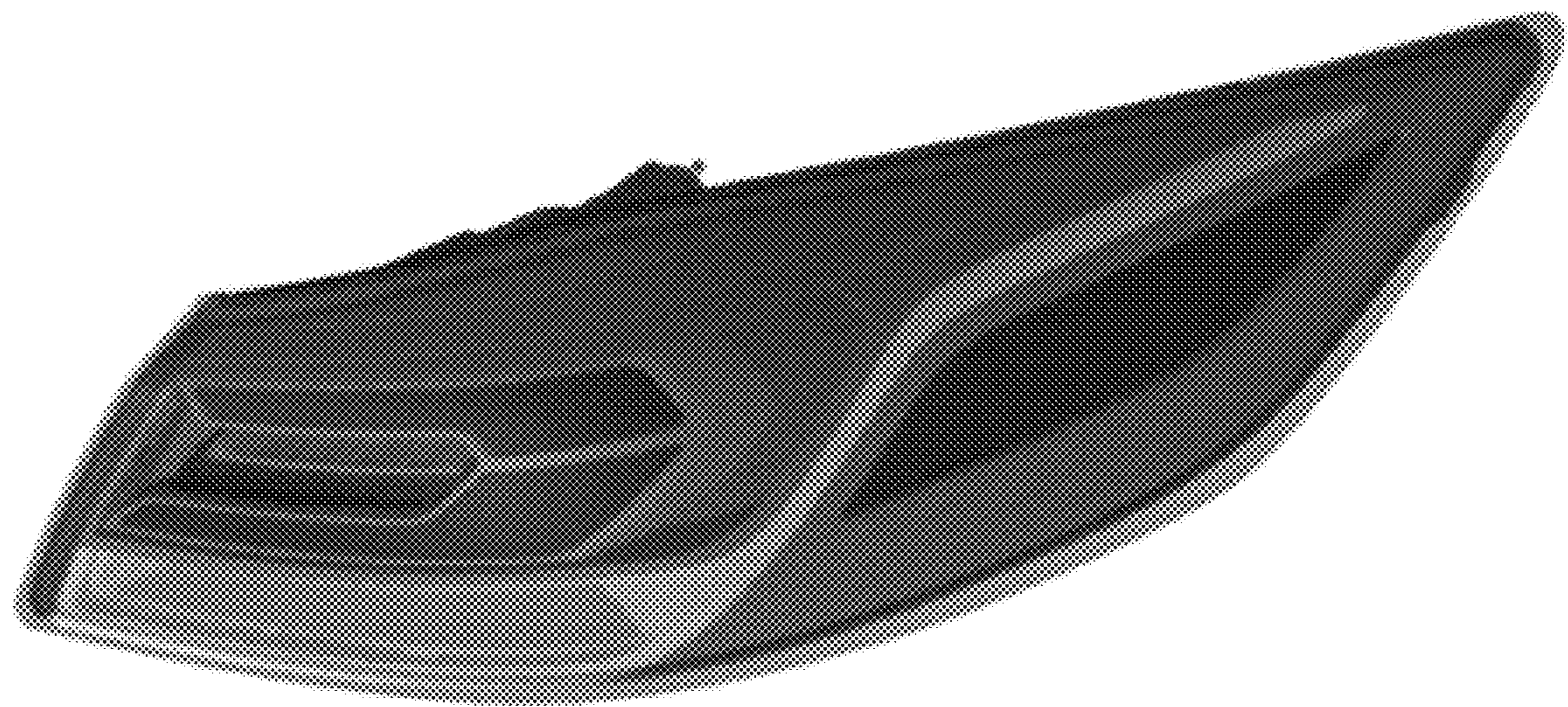
- 1. Rear combination lamp for vehicle
- 1.1 : Perspective
- 1.2 : Front
- 1.3 : Back
- 1.4 : Left
- 1.5 : Right
- 1.6 : Top
- 1.7 : Bottom

The material is made of metals, glasses and synthetic resins;  
this article is installed to the rear of a vehicle; this article is  
a combination of a brake lamp and reversing lamp; as  
appeared in the perspective drawing, the cover part of the  
front of this article and the lamp part inside the cover part are  
transparent.

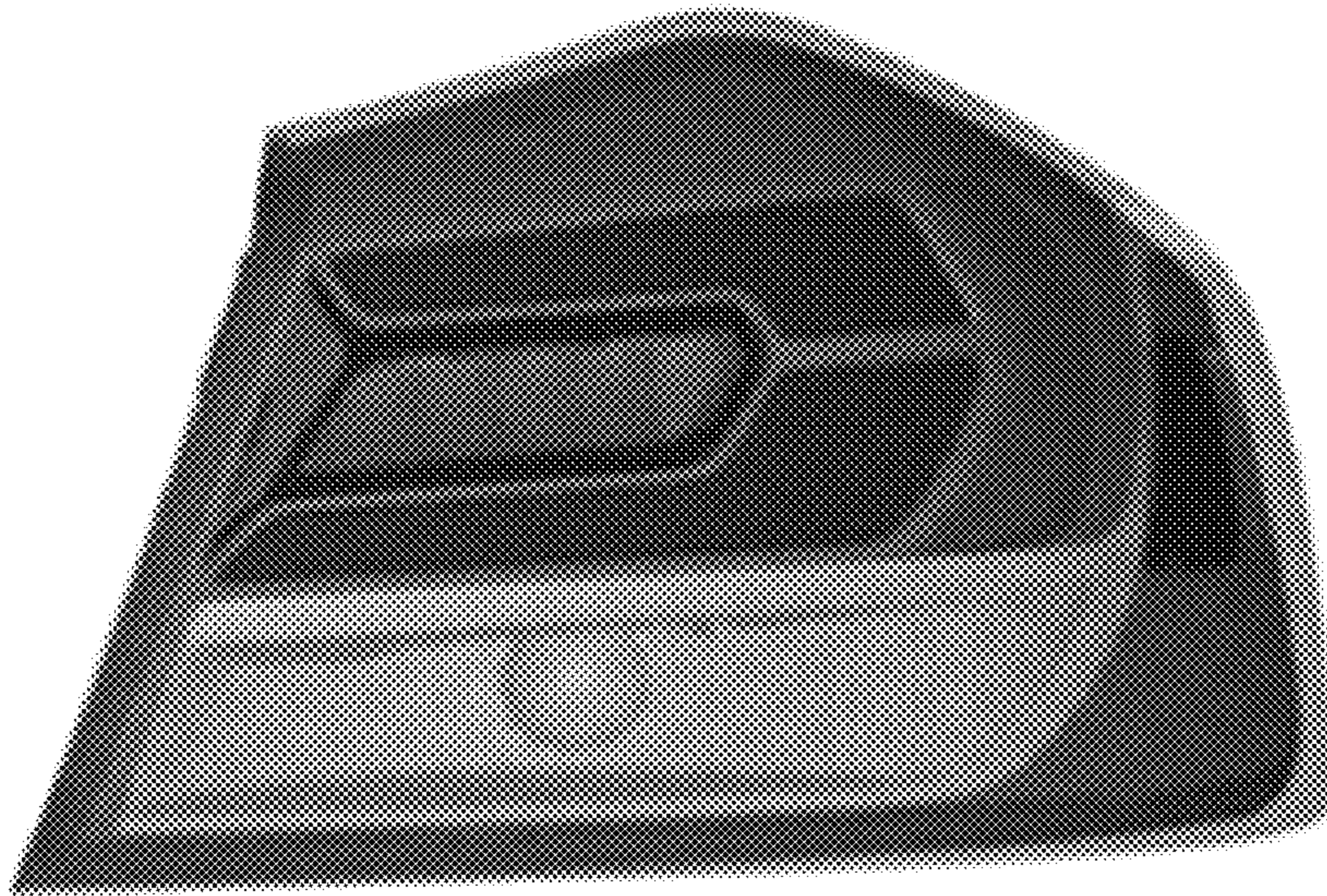
**1 Claim, 7 Drawing Sheets**



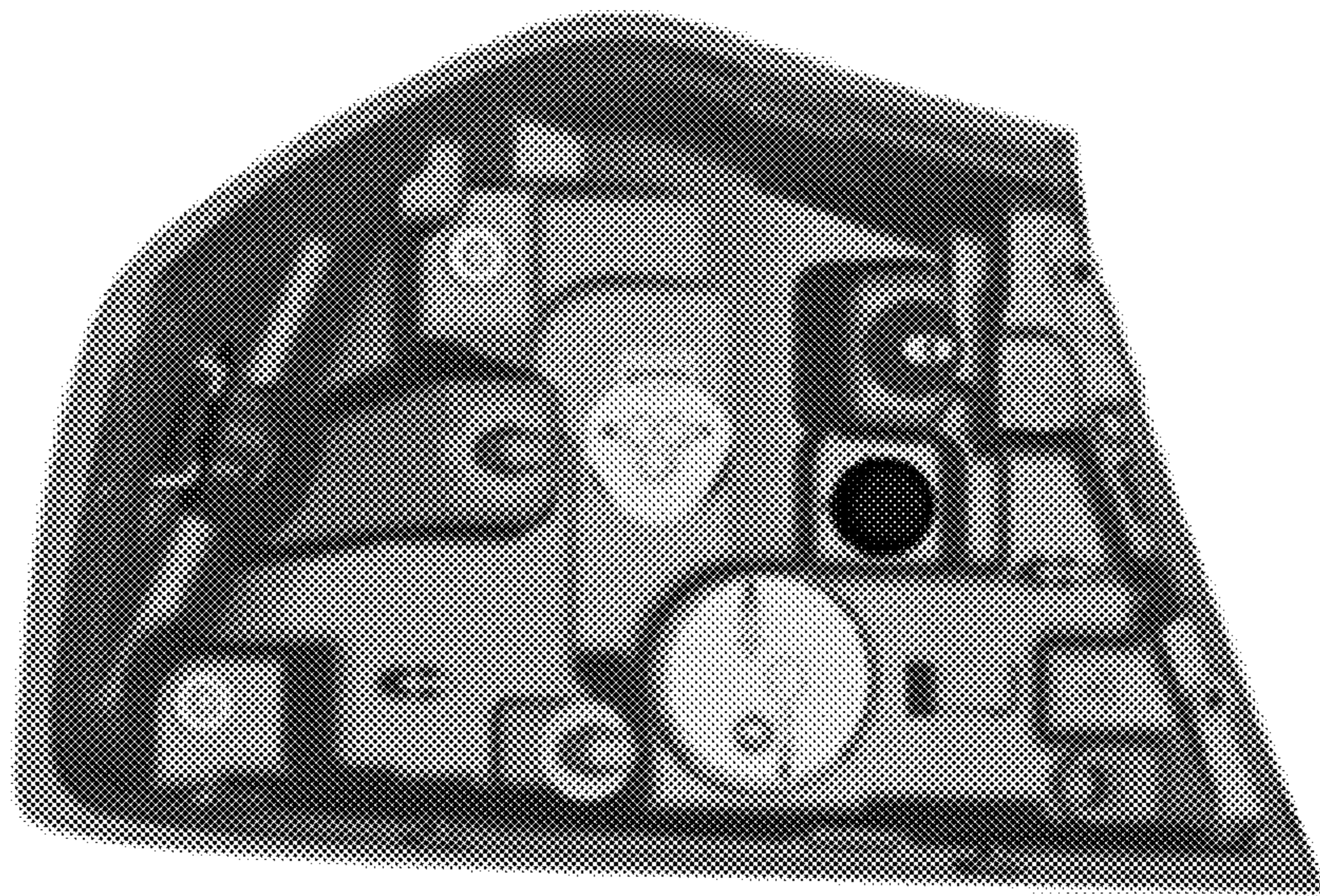
**1.1**



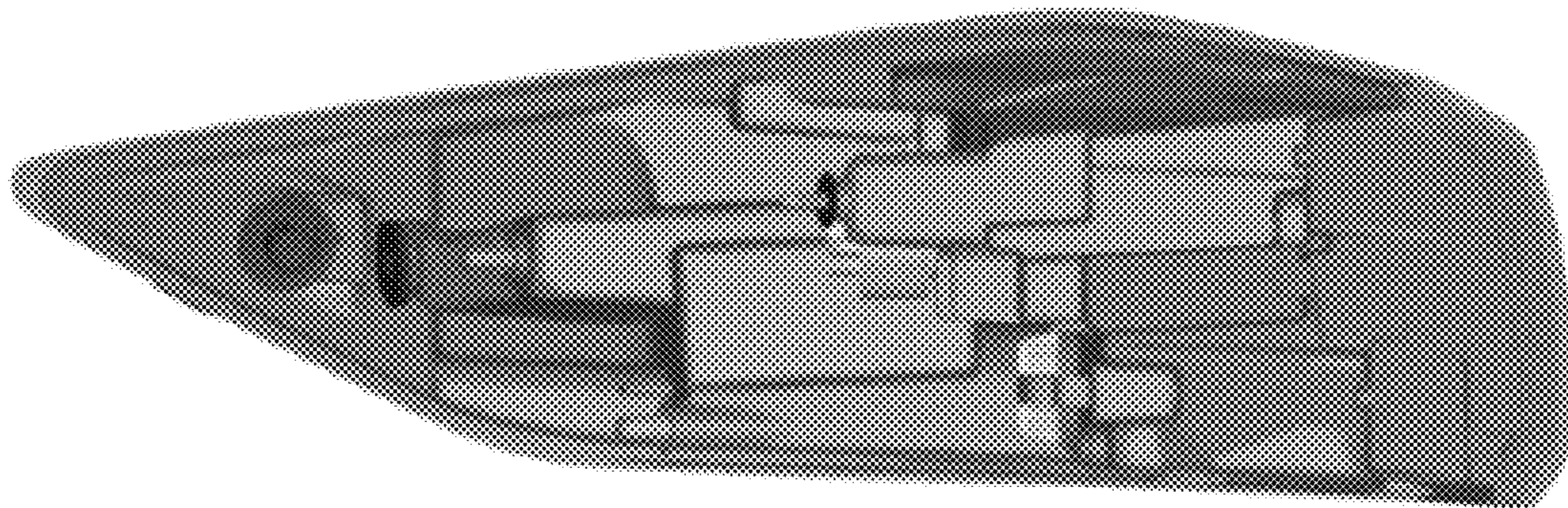
**1.2**



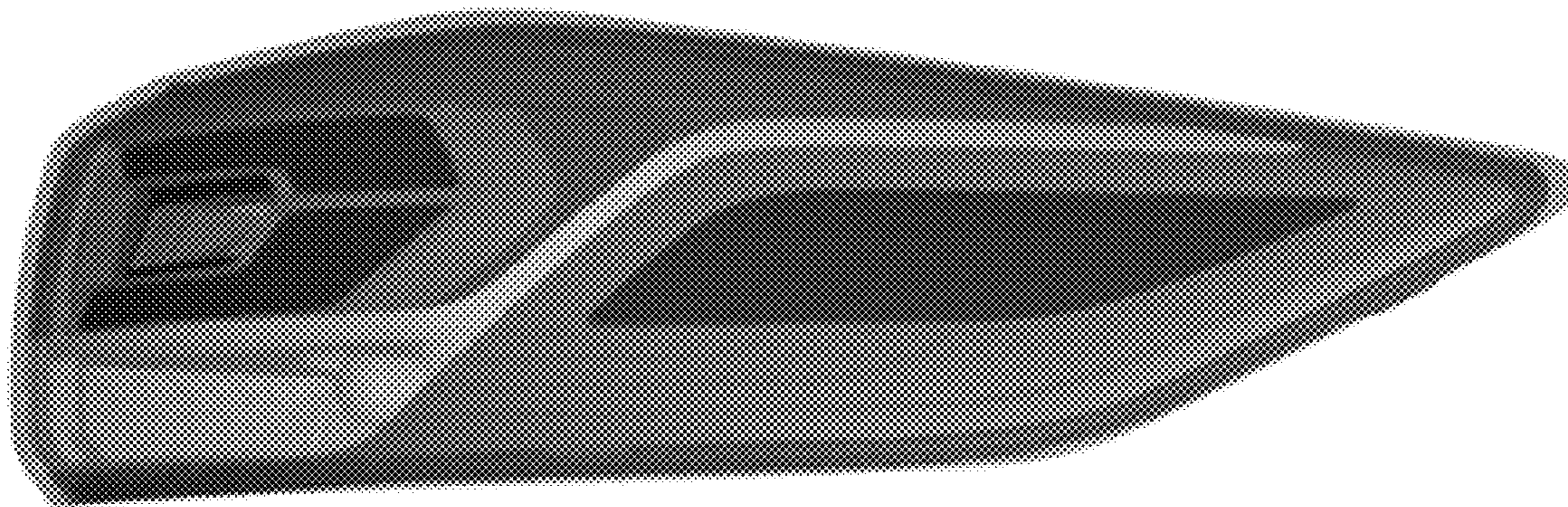
**1.3**



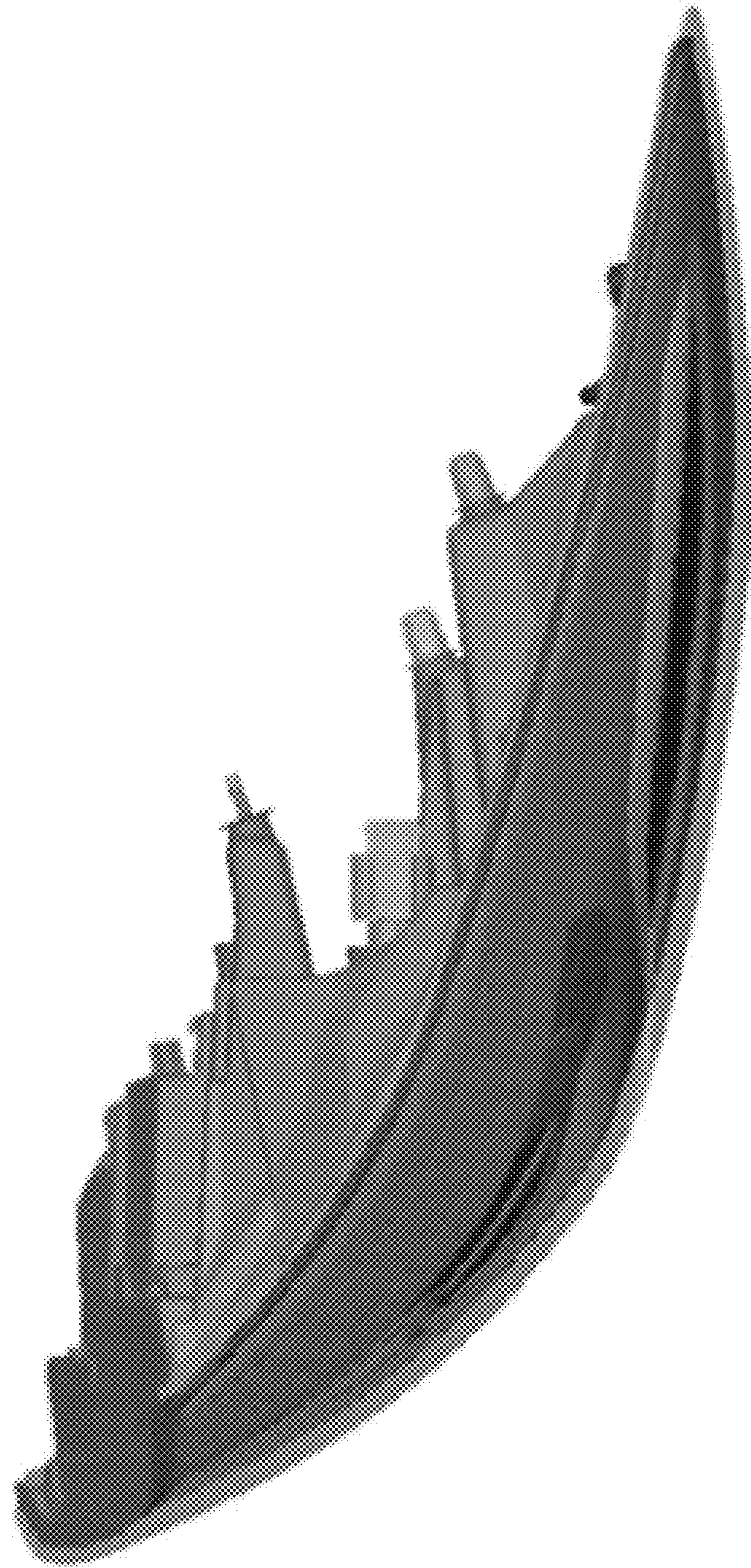
**1.4**



**1.5**



**1.6**



**1.7**

