



US00D814080S

(12) **United States Design Patent** (10) **Patent No.:** **US D814,080 S**  
**Ha et al.** (45) **Date of Patent:** **\*\* Mar. 27, 2018**

(54) **HEAD LAMP FOR VEHICLE**  
(71) Applicant: **HYUNDAI MOTOR COMPANY**,  
Seoul (KR)  
(72) Inventors: **Ji-Won Ha**, Suwon-si (KR);  
**Chang-Hoon Choi**, Suwon-si (KR);  
**Ki-Euk Kim**, Hwaseong-si (KR)  
(73) Assignee: **Hyundai Motor Company**, Seoul (KR)  
(\*\*) Term: **15 Years**  
(21) Appl. No.: **35/501,939**  
(22) Filed: **May 20, 2016**  
(80) **Hague Agreement Data**  
Int. Filing Date: **May 20, 2016**  
Int. Reg. No.: **DM/091069**  
Int. Reg. Date: **May 20, 2016**  
Int. Reg. Pub. Date: **Nov. 25, 2016**

(30) **Foreign Application Priority Data**  
Apr. 8, 2016 (KR) ..... 30-2016-0016512  
(51) **LOC (11) Cl.** ..... **26-06**  
(52) **U.S. Cl.**  
USPC ..... **D26/28**  
(58) **Field of Classification Search**  
USPC ..... D26/28-36  
CPC ..... F21S 48/00; F21S 48/10; F21S 48/115;  
F21S 48/225; F21S 48/1233; F21S  
48/1266; F21S 48/1388; F21S 48/2268;  
F21V 21/04; B60Q 1/30; B60Q 1/2607;  
B60Q 1/2696; B62J 6/00; B62J 6/04  
See application file for complete search history.

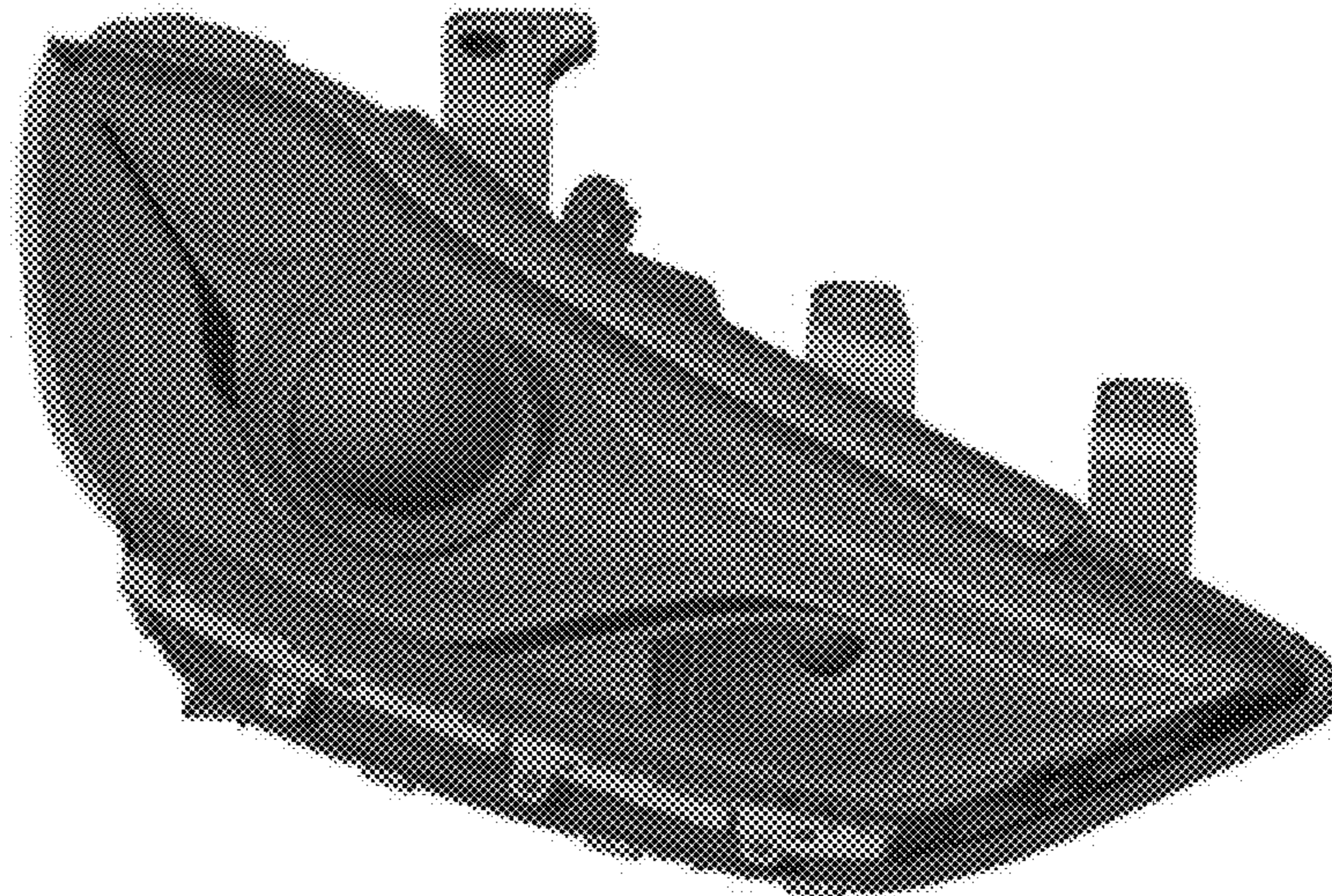
(56) **References Cited**  
U.S. PATENT DOCUMENTS  
D789,580 S \* 6/2017 Schneider ..... D26/28  
D794,231 S \* 8/2017 Yokoi ..... D26/28  
D794,848 S \* 8/2017 Komuro ..... D26/28  
D794,851 S \* 8/2017 Youn ..... D26/28  
D796,709 S \* 9/2017 Lai ..... D26/28  
D796,715 S \* 9/2017 Lin ..... D26/28  
D797,965 S \* 9/2017 Matsumoto ..... D26/28  
D801,559 S \* 10/2017 Kinoshita ..... D26/28

\* cited by examiner  
*Primary Examiner* — Zenia Bennett  
(74) *Attorney, Agent, or Firm* — Mintz Levin Cohn Ferris  
Glovsky and Popeo, P.C.; Kongsik Kim

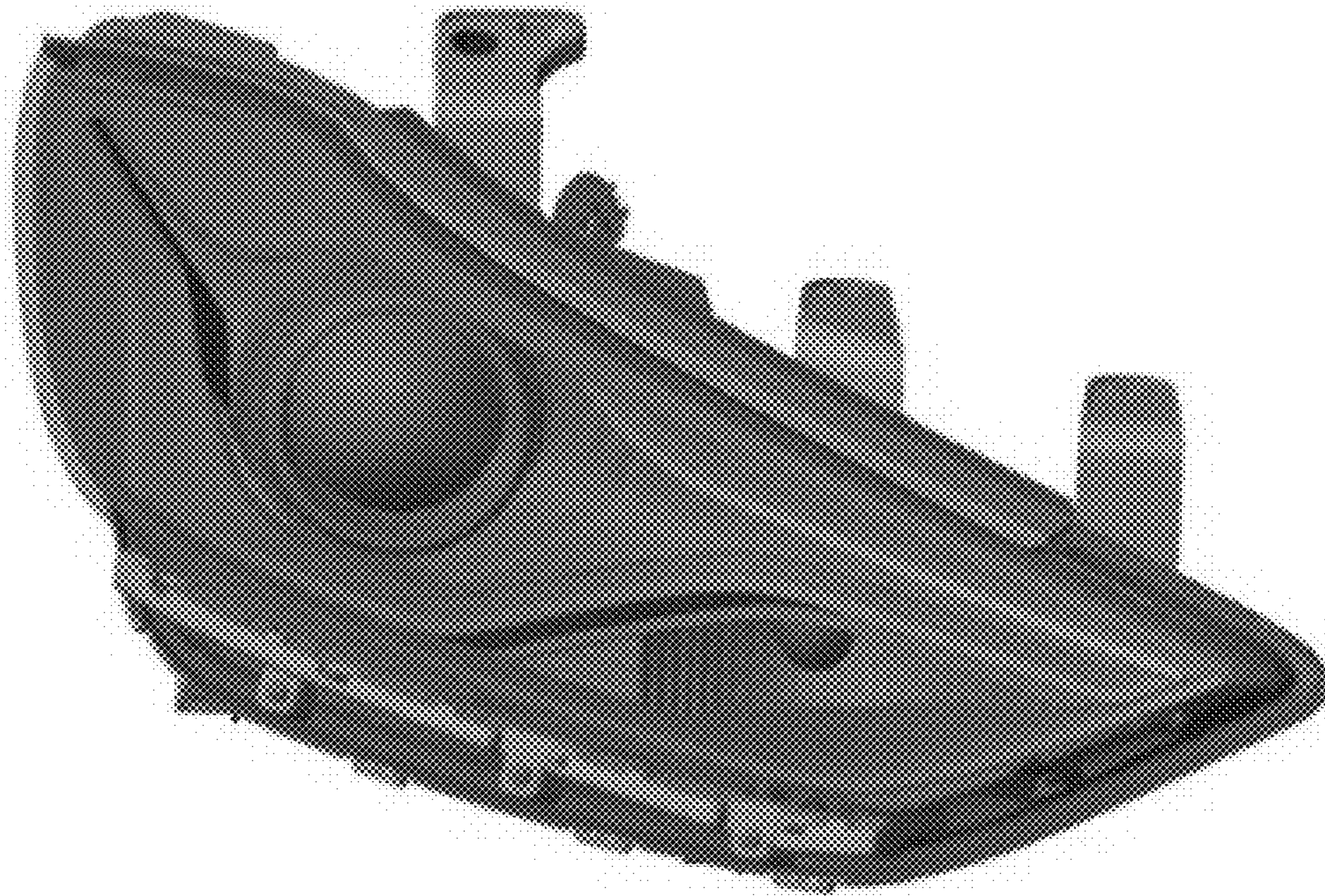
(57) **CLAIM**  
The ornamental design for a head lamp for vehicle, as shown  
and described.

**DESCRIPTION**  
1. Head lamp for vehicle  
1.1 : Perspective  
1.2 : Front  
1.3 : Back  
1.4 : Left  
1.5 : Right  
1.6 : Top  
1.7 : Bottom  
The material is made of metals, glasses and synthetic resins;  
this article is installed to the left and right sides of the front  
of a vehicle to secure a driver's visibility at night or in case  
of rain; as appeared in the perspective drawing, the cover  
part of the front of this article and the lamp part inside the  
cover part are transparent.

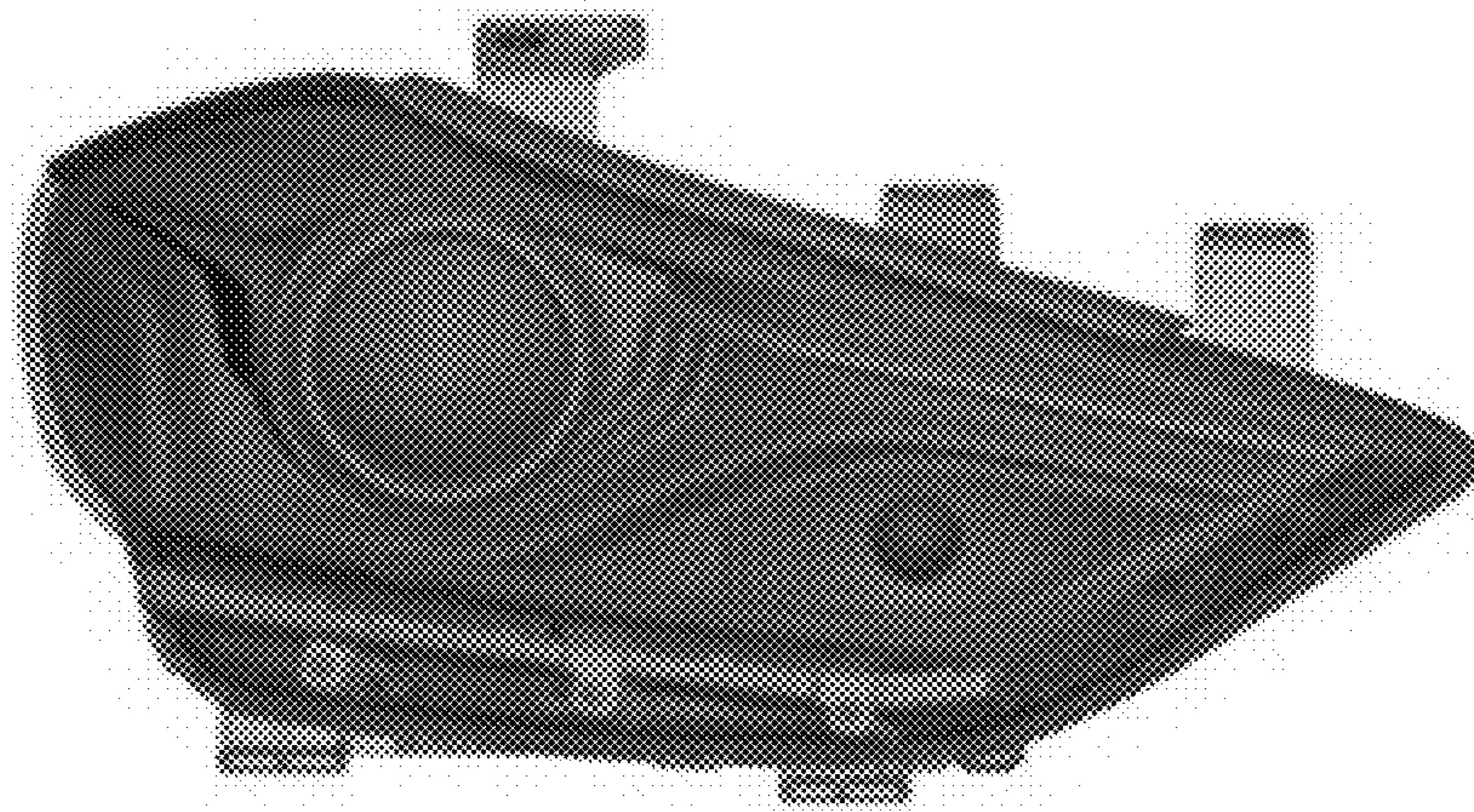
**1 Claim, 7 Drawing Sheets**



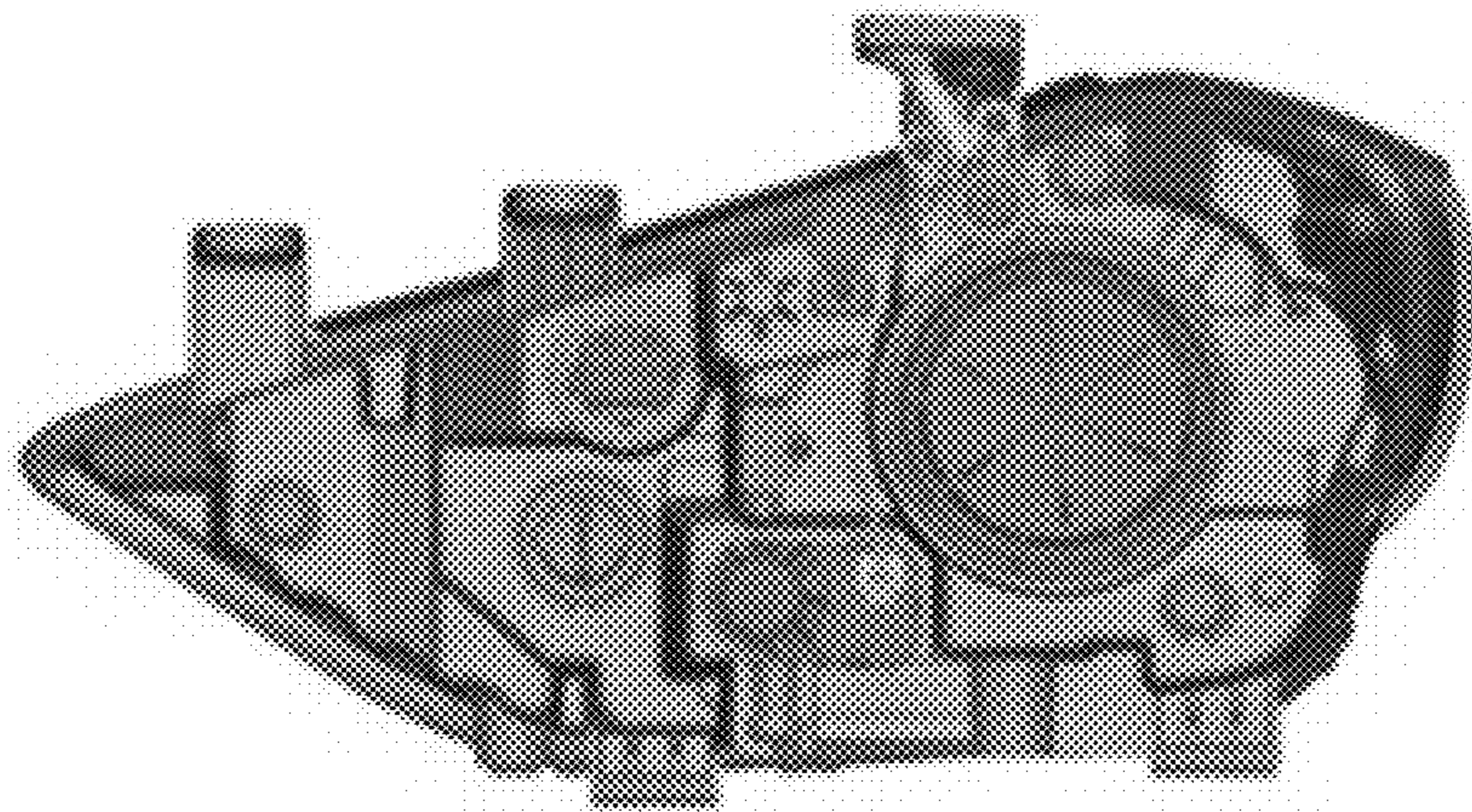
**1.1**



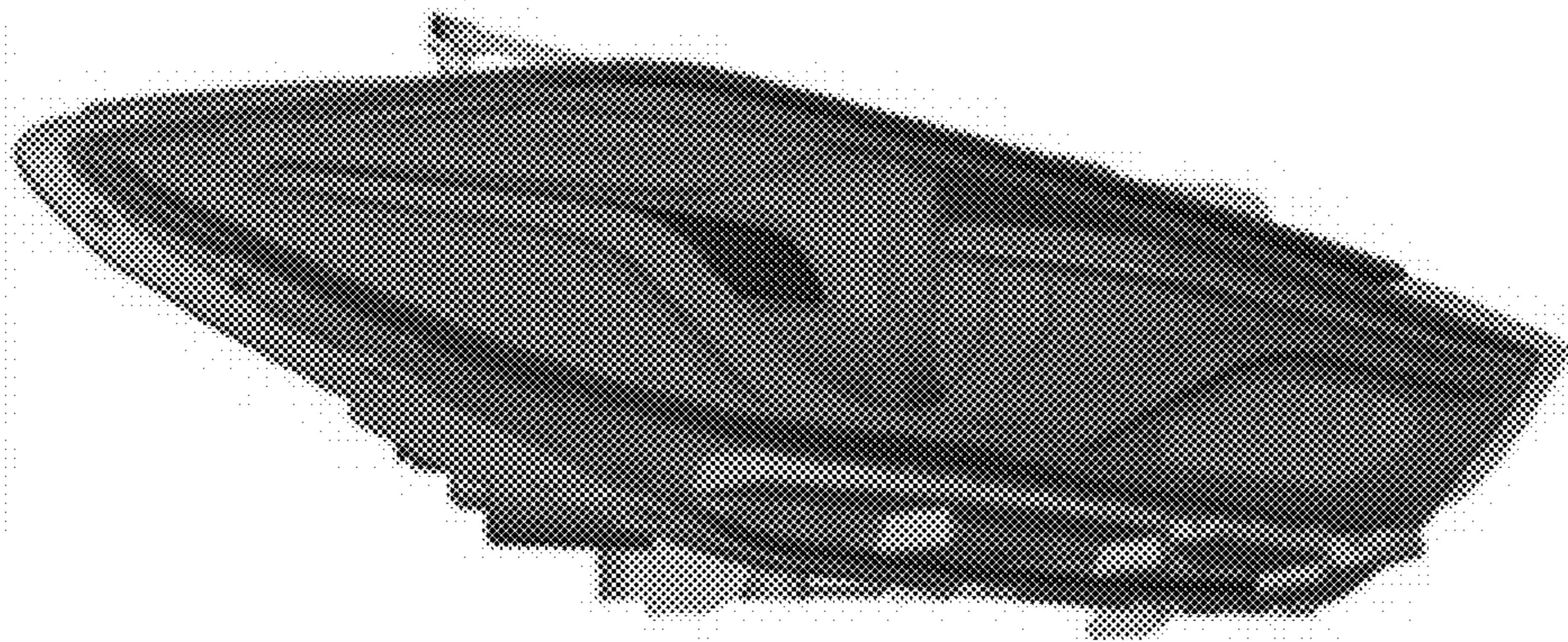
**1.2**



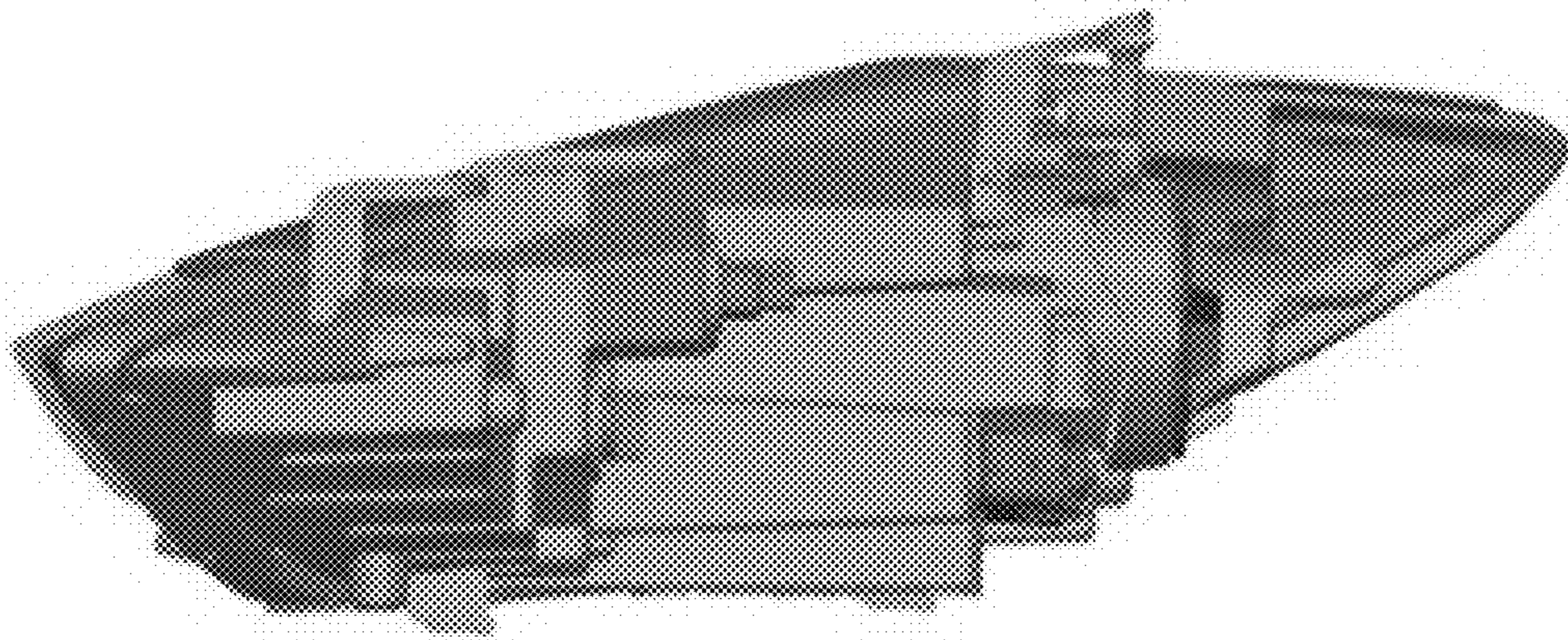
**1.3**



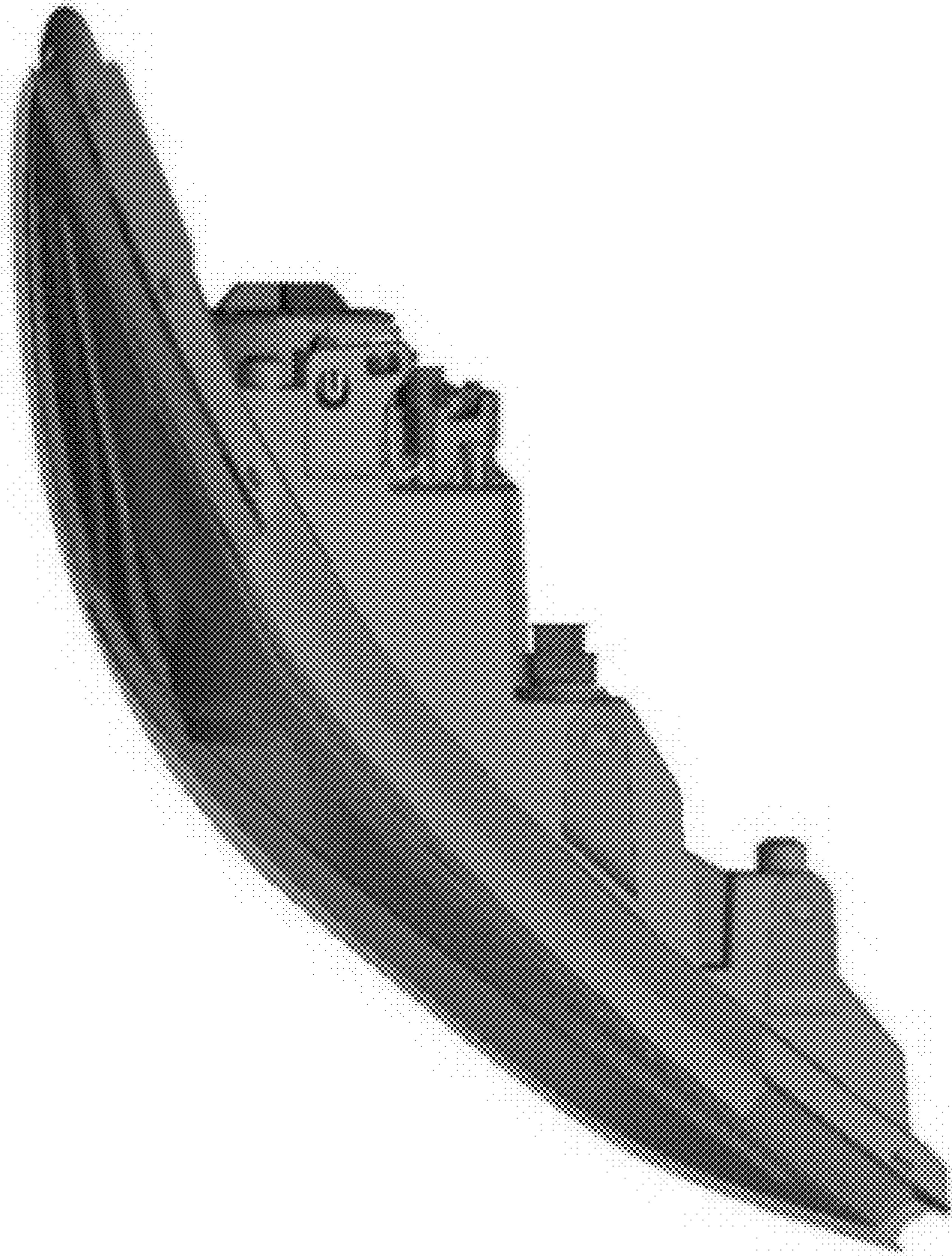
**1.4**



**1.5**



**1.6**



**1.7**

