



US00D814077S

(12) **United States Design Patent** (10) **Patent No.:** **US D814,077 S**  
**Behmer et al.** (45) **Date of Patent:** **\*\* Mar. 27, 2018**

(54) **VEHICLE HEADLIGHT**  
(71) Applicant: **Ford Global Technologies, LLC**,  
Dearborn, MI (US)  
(72) Inventors: **Darrell P. Behmer**, Novi, MI (US);  
**Melvin Betancourt**, Shelby Township,  
MI (US); **Craig S. Metros**, Bloomfield,  
MI (US); **Christopher Stevens**, Detroit,  
MI (US); **Junmo Park**, Northville, MI  
(US)  
(73) Assignee: **Ford Global Technologies, LLC**,  
Dearborn, MI (US)  
(\*\*) Term: **15 Years**  
(21) Appl. No.: **29/590,794**  
(22) Filed: **Jan. 13, 2017**  
(51) **LOC (11) Cl.** ..... **26-06**  
(52) **U.S. Cl.**  
USPC ..... **D26/28**  
(58) **Field of Classification Search**  
USPC ..... D26/28-36; 362/80-83, 267-269,  
362/459-468, 475-478, 485-487  
CPC ..... F21S 48/00; F21S 48/10; F21S 48/115;  
F21S 48/1233; F21S 48/1266; F21S  
48/1388; F21S 48/2268; F21V 21/04  
See application file for complete search history.

(56) **References Cited**  
U.S. PATENT DOCUMENTS  
D528,681 S \* 9/2006 Nakahara ..... D26/28  
D528,685 S \* 9/2006 Yoshida ..... D26/28

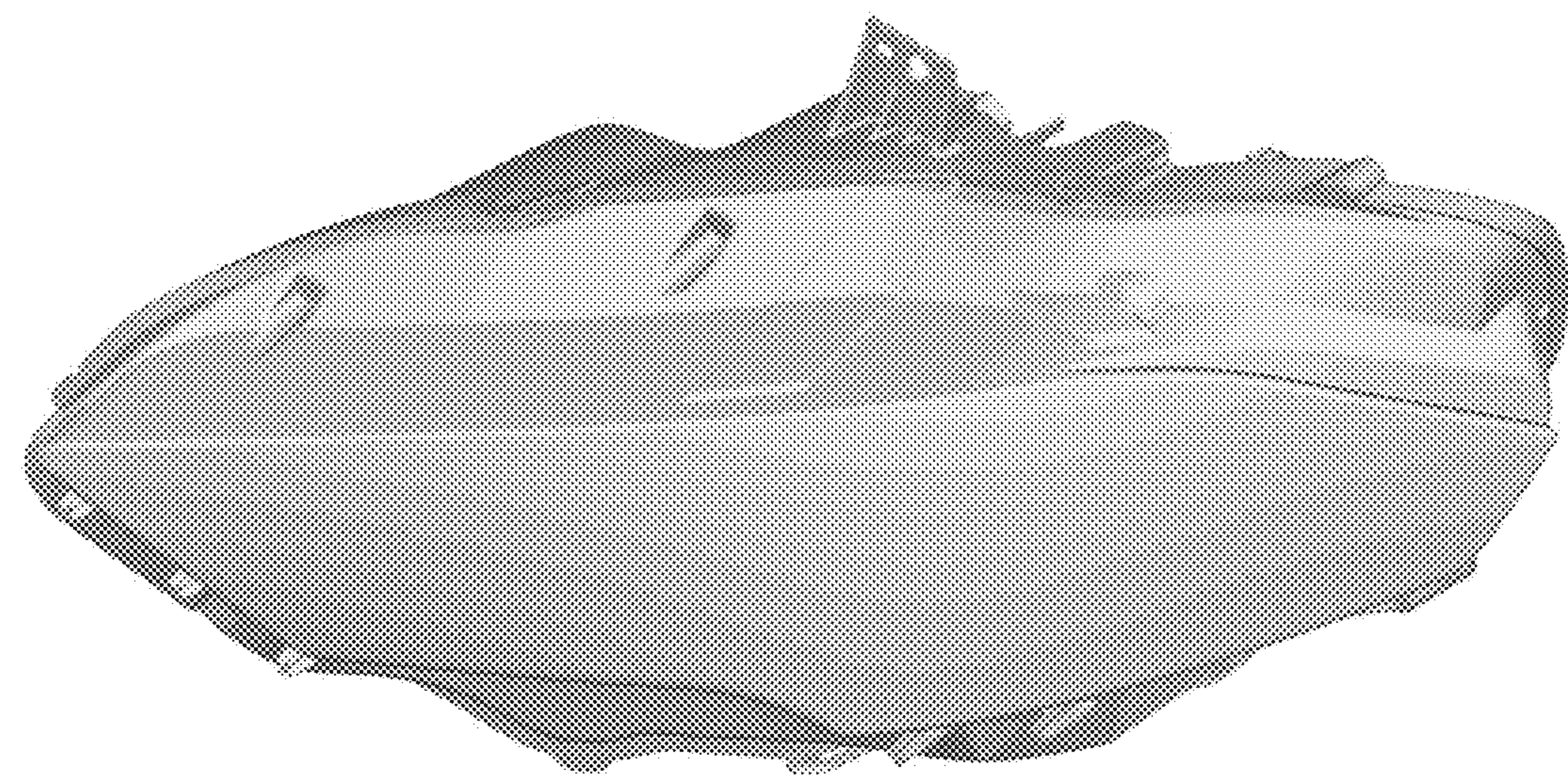
D544,114 S \* 6/2007 Ohta ..... D26/28  
D544,614 S \* 6/2007 Markefka ..... D26/28  
D549,857 S \* 8/2007 Lin ..... D26/28  
D559,415 S 1/2008 Gaffka et al.  
D561,358 S \* 2/2008 Tachibana ..... D26/28  
D569,021 S 5/2008 Saridakis et al.  
D582,065 S 12/2008 Mays et al.  
D624,217 S 9/2010 Saridakis et al.  
D681,852 S 5/2013 Behmer et al.  
D703,848 S 4/2014 Mays et al.  
D732,720 S 6/2015 Mays et al.  
D733,344 S 6/2015 Mays et al.

\* cited by examiner  
*Primary Examiner* — Marcus Jackson  
(74) *Attorney, Agent, or Firm* — James Dottavio

(57) **CLAIM**  
The ornamental design for a vehicle headlight, as shown and described.

**DESCRIPTION**  
FIG. 1 is a top front perspective view of the first embodiment of a vehicle headlight, showing our new design; FIG. 2 is a bottom front perspective view thereof; FIG. 3 is a top rear perspective view thereof; FIG. 4 is a front elevational view thereof; FIG. 5 is a rear elevational view thereof; FIG. 6 is a left side elevational view thereof; FIG. 7 is a right side elevational view thereof; FIG. 8 is a top plan view thereof; and, FIG. 9 is a bottom plan view thereof. The second embodiment of the vehicle headlight is mirror image of the embodiment disclosed in FIGS. 1 through 9, and is not shown.

**1 Claim, 9 Drawing Sheets**



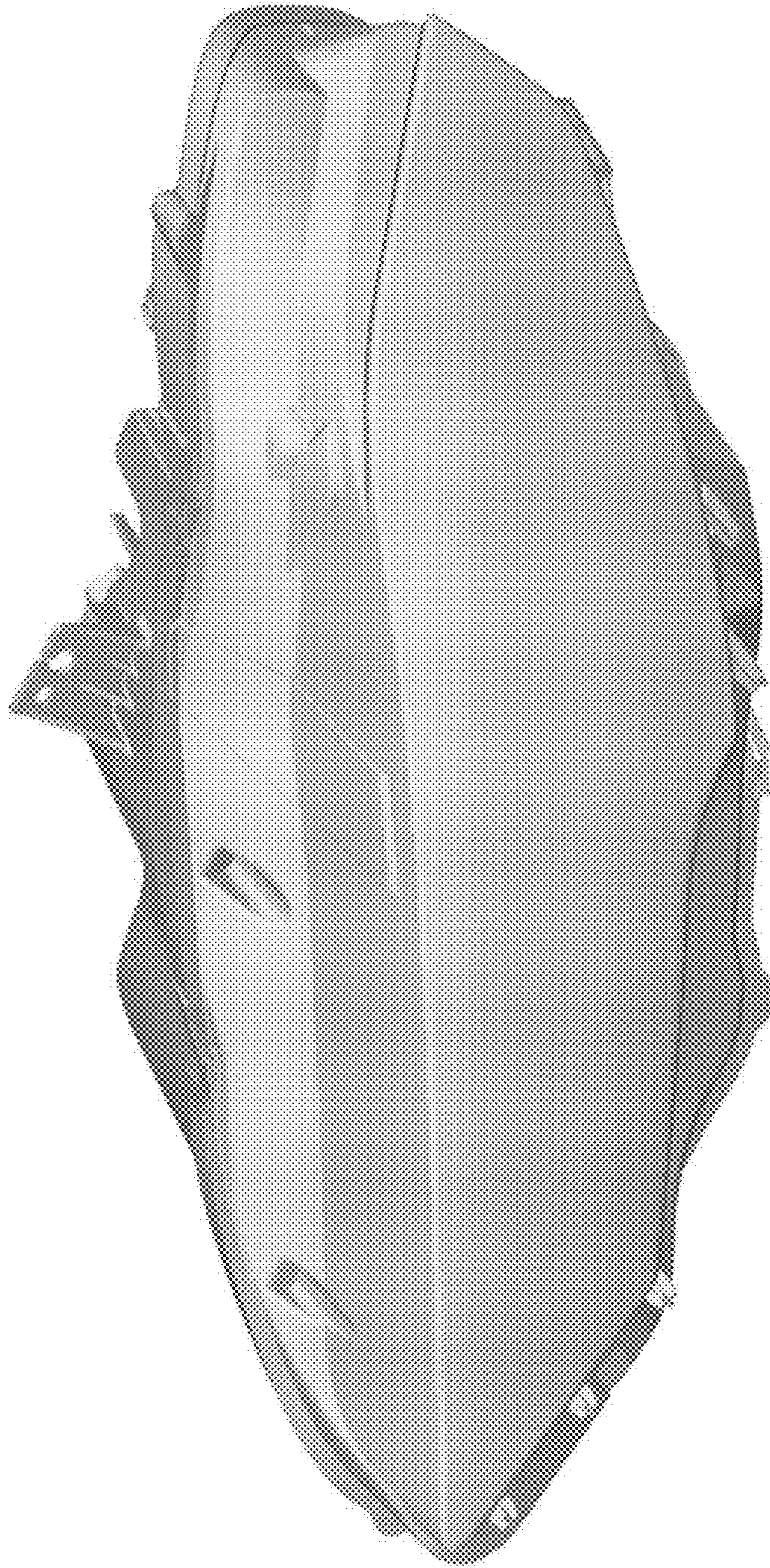


Figure 1

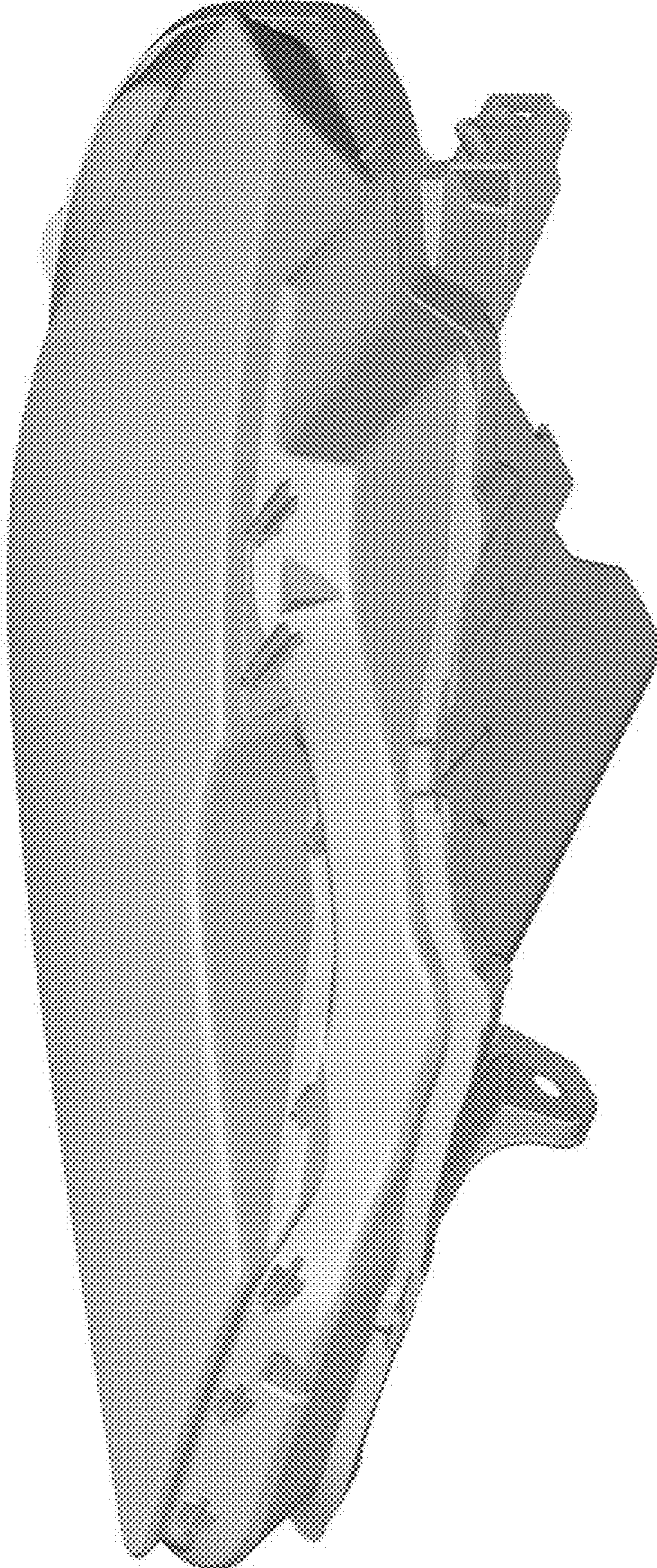


Figure 2

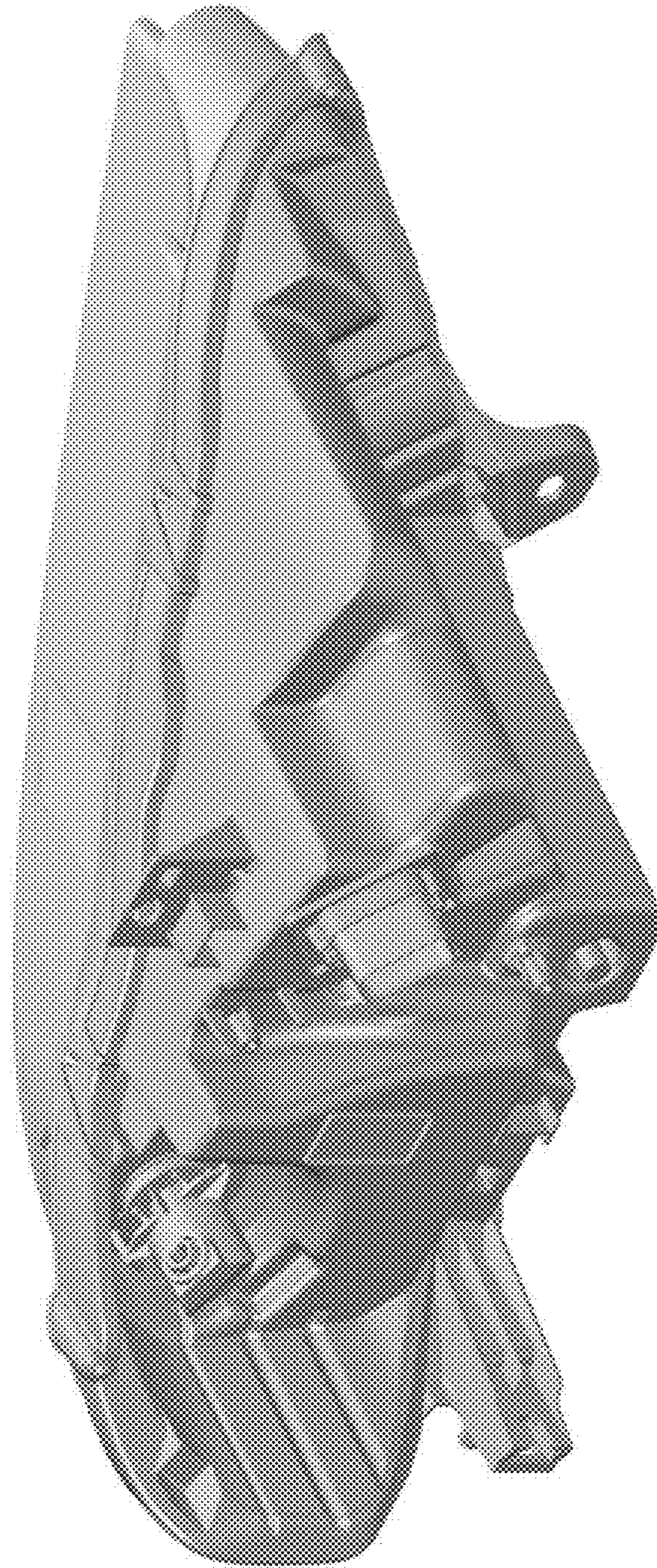


Figure 3

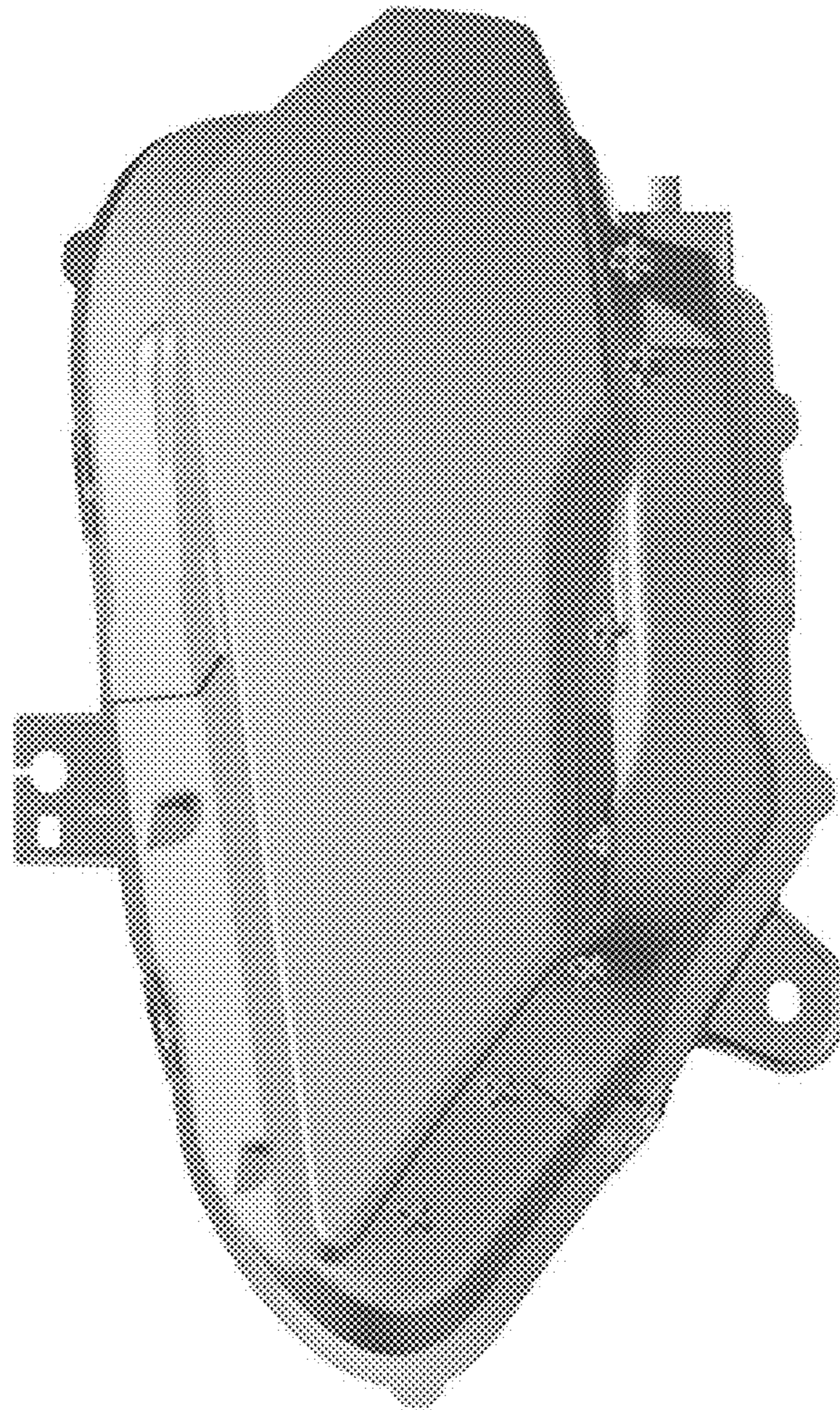


Figure 4

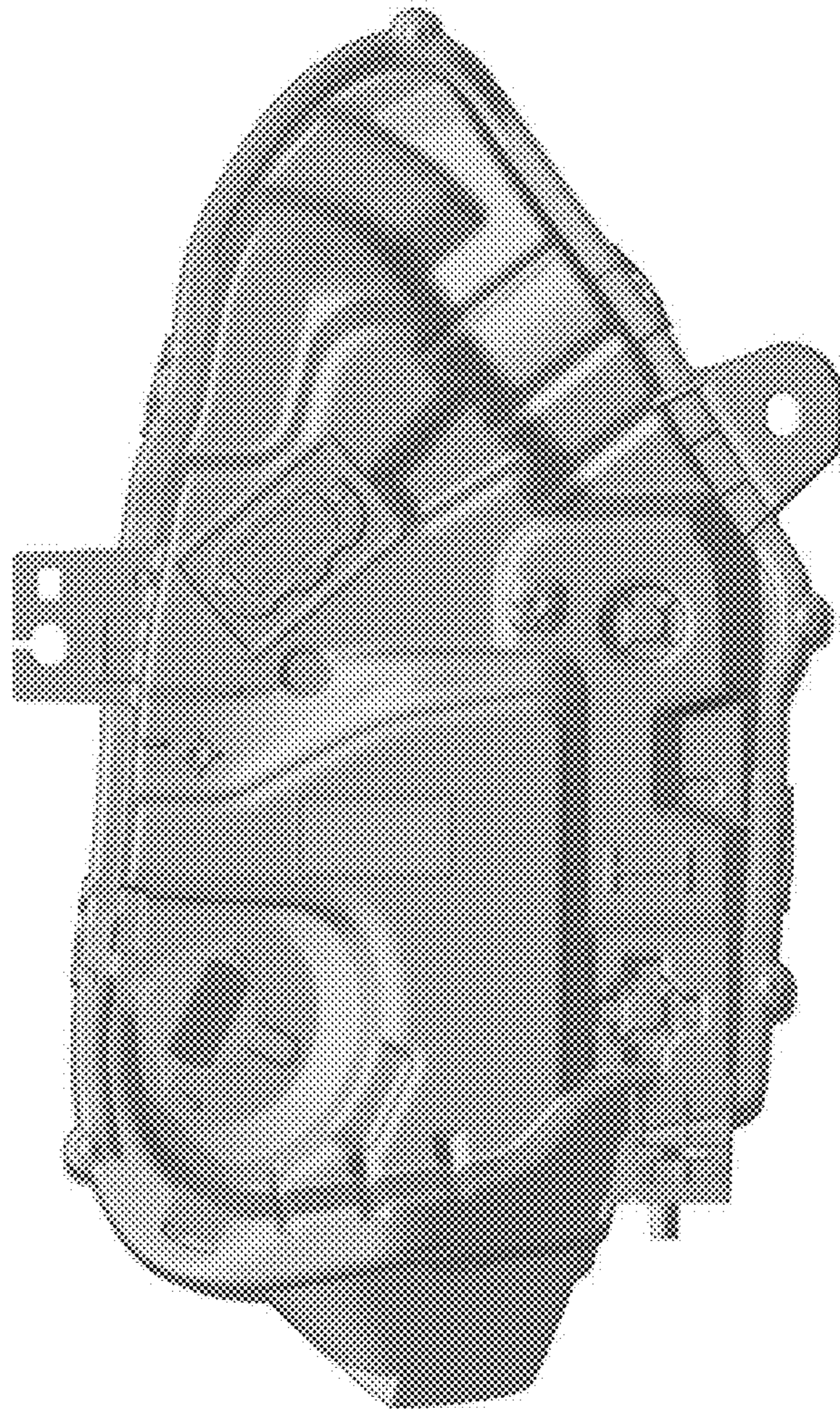


Figure 5

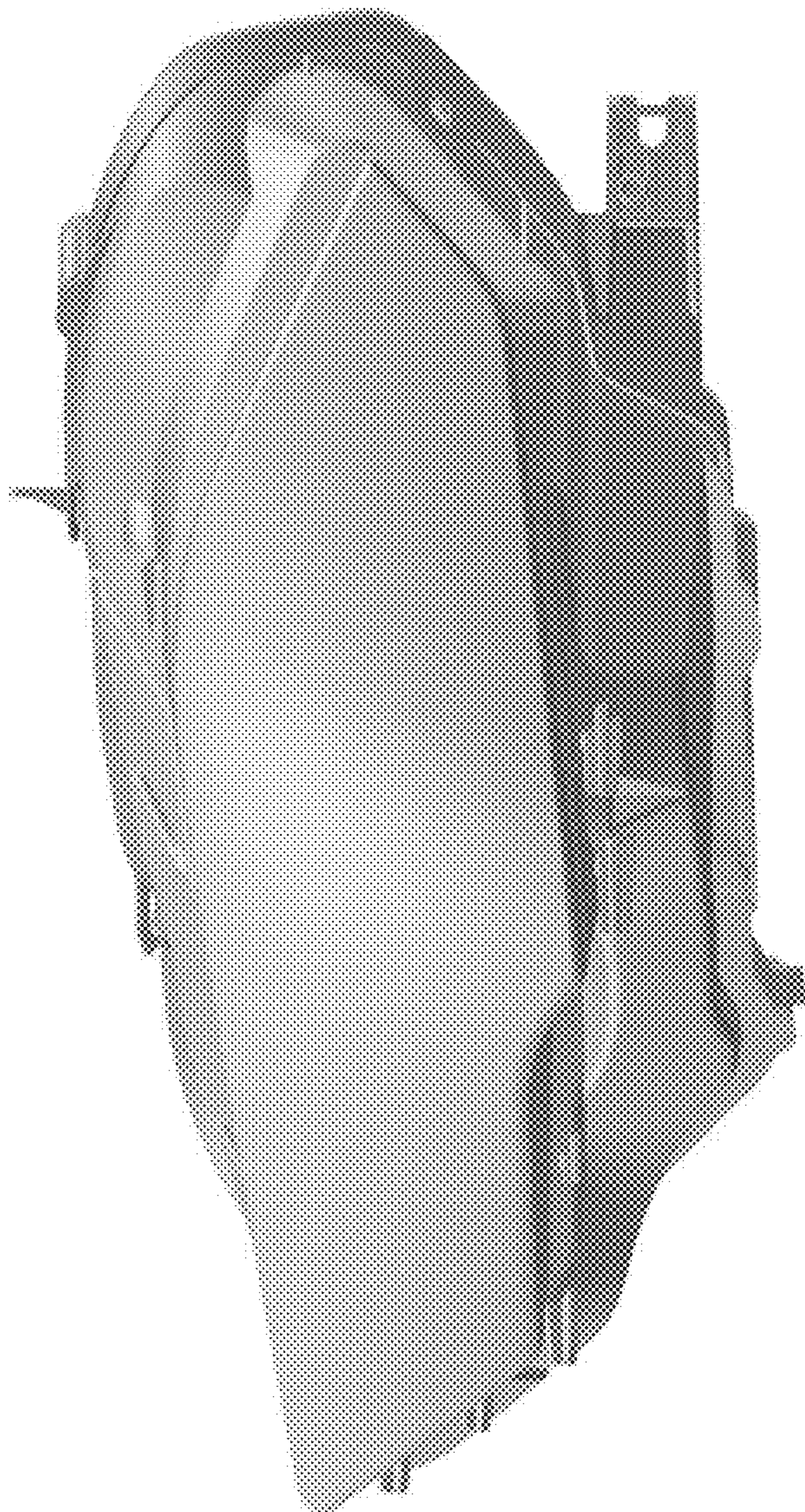


Figure 6

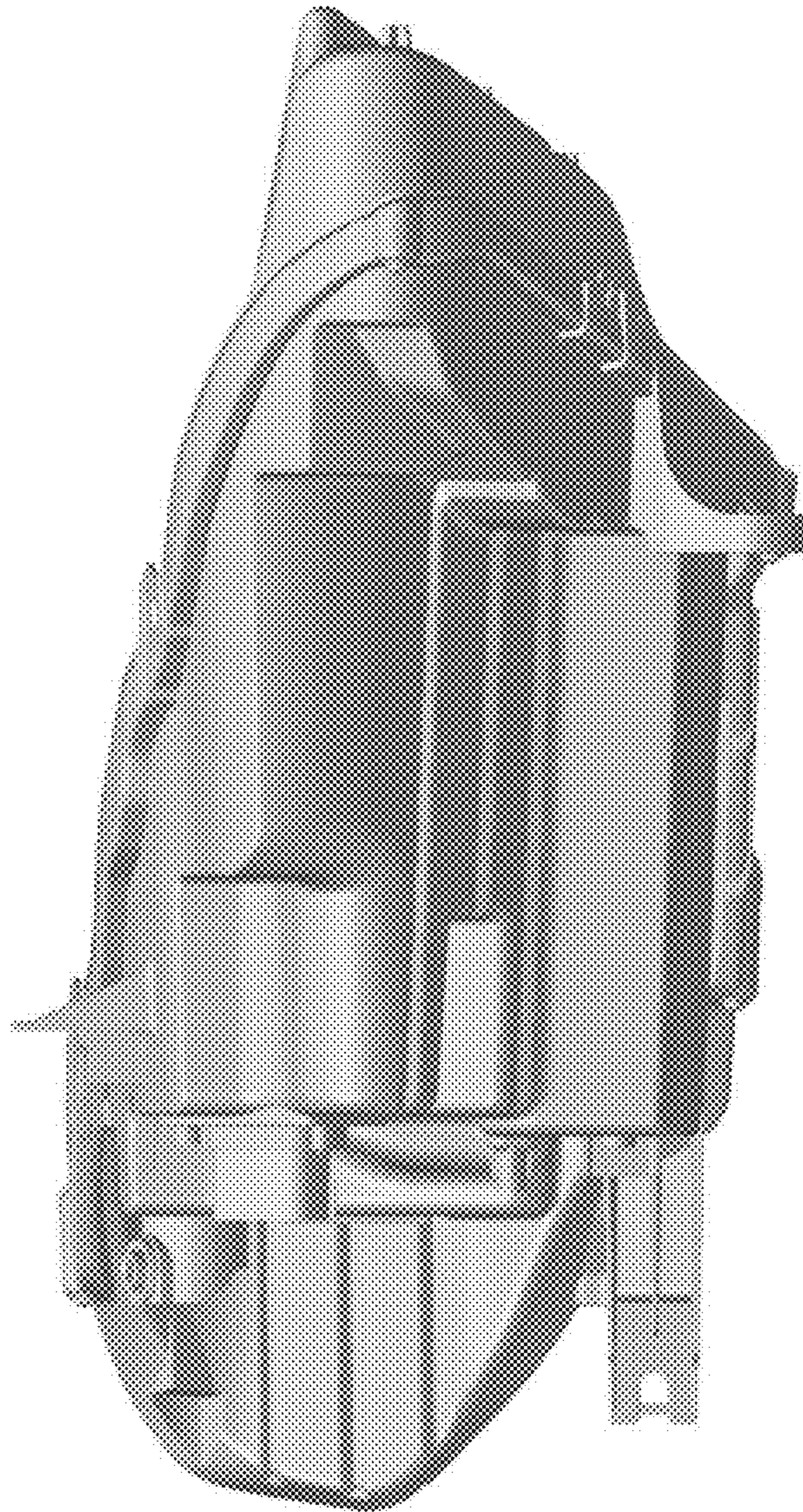


Figure 7



Figure 8

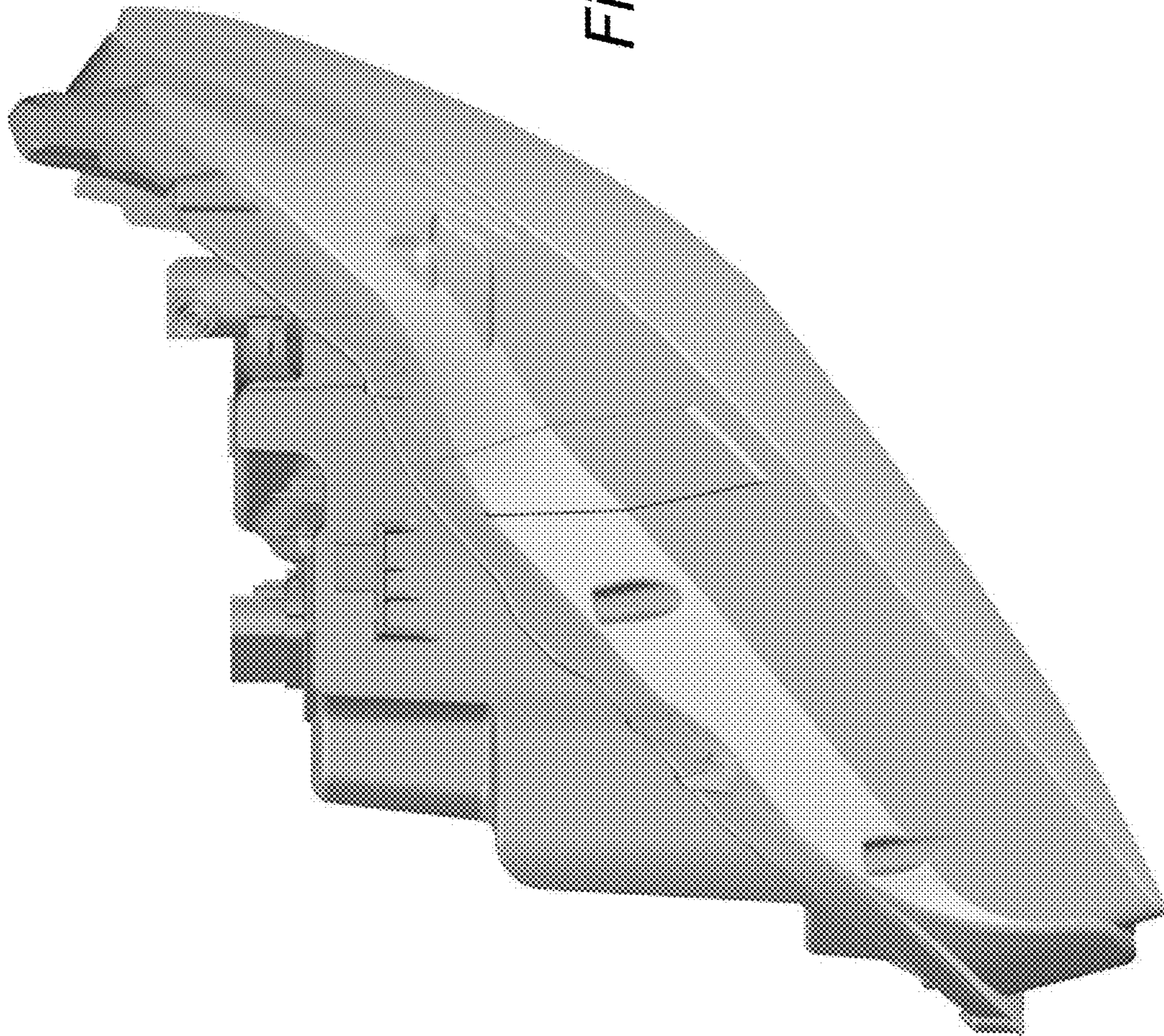


Figure 9

