



US00D814076S

(12) **United States Design Patent**  
**Ishii**

(10) **Patent No.:** **US D814,076 S**  
(45) **Date of Patent:** **\*\* Mar. 27, 2018**

(54) **REAR COMBINATION LAMP FOR AN AUTOMOBILE**

(71) Applicant: **Honda Motor Co., Ltd.**, Tokyo (JP)

(72) Inventor: **Noriyuki Ishii**, Wako (JP)

(73) Assignee: **Honda Motor Co., Ltd.**, Tokyo (JP)

(\*\*) Term: **15 Years**

(21) Appl. No.: **29/589,597**

(22) Filed: **Jan. 3, 2017**

(30) **Foreign Application Priority Data**

Jul. 8, 2016 (JP) ..... 2016-014580

(51) **LOC (11) Cl.** ..... **26-06**

(52) **U.S. Cl.**  
USPC ..... **D26/28**

(58) **Field of Classification Search**  
USPC ..... D26/28-36; 362/80-83, 267-269,  
362/459-468, 475-478, 485-487  
CPC ..... F21S 48/00; F21S 48/10; F21S 48/115;  
F21S 48/1233; F21S 48/1266; F21S  
48/1388; F21S 48/2268; F21V 21/04  
See application file for complete search history.

(56) **References Cited**

**U.S. PATENT DOCUMENTS**

D637,320 S \* 5/2011 Yang ..... D26/28  
D691,303 S \* 10/2013 Lai ..... D26/28

D694,442 S \* 11/2013 Lai ..... D26/28  
D708,770 S \* 7/2014 Lai ..... D26/28  
D714,982 S \* 10/2014 Lai ..... D26/28  
D717,980 S \* 11/2014 Lai ..... D26/28  
D724,243 S \* 3/2015 Lai ..... D26/28

\* cited by examiner

*Primary Examiner* — Marcus Jackson

(74) *Attorney, Agent, or Firm* — Plumsea Law Group, LLC

(57) **CLAIM**

The ornamental design for a rear combination lamp for an automobile, as shown and described.

**DESCRIPTION**

FIG. 1 is a front perspective view of a rear combination lamp for an automobile.  
FIG. 2 is a front elevation view thereof.  
FIG. 3 is a top plan view thereof; and,  
FIG. 4 is a left side elevation view thereof.  
The broken lines in the drawings illustrate portions of the rear combination lamp for an automobile that form no part of the claimed design.

**1 Claim, 4 Drawing Sheets**

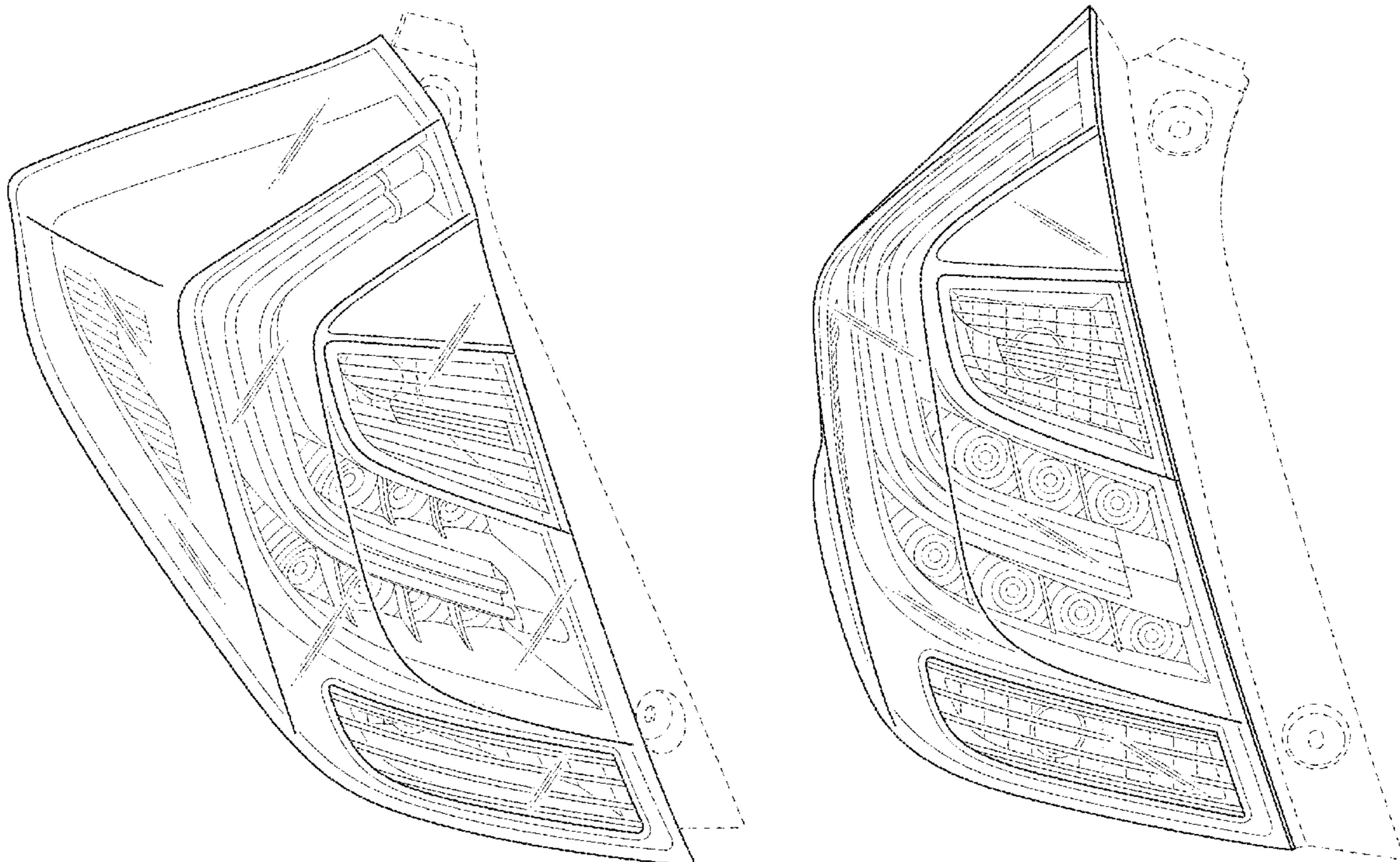


FIG. 1

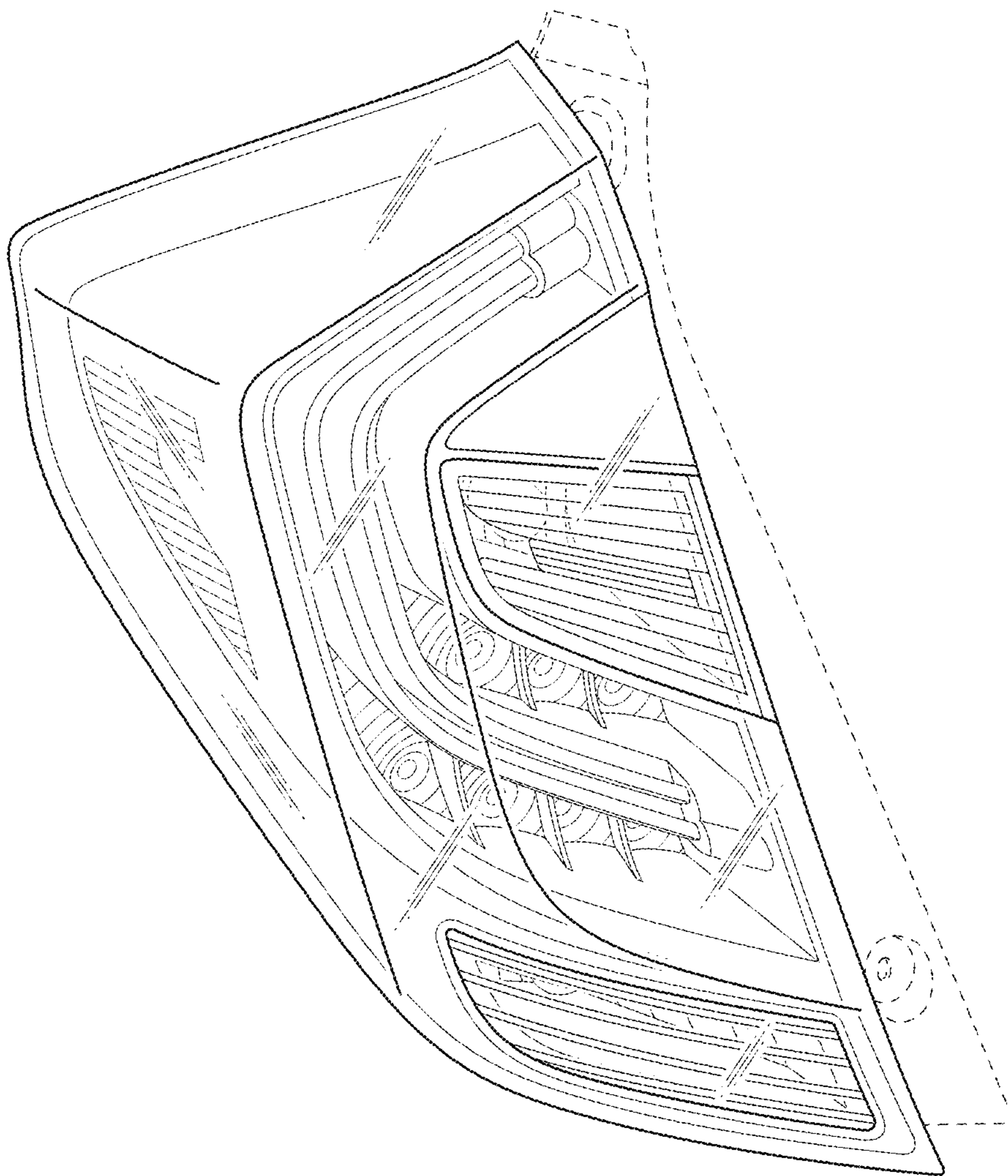


FIG. 2

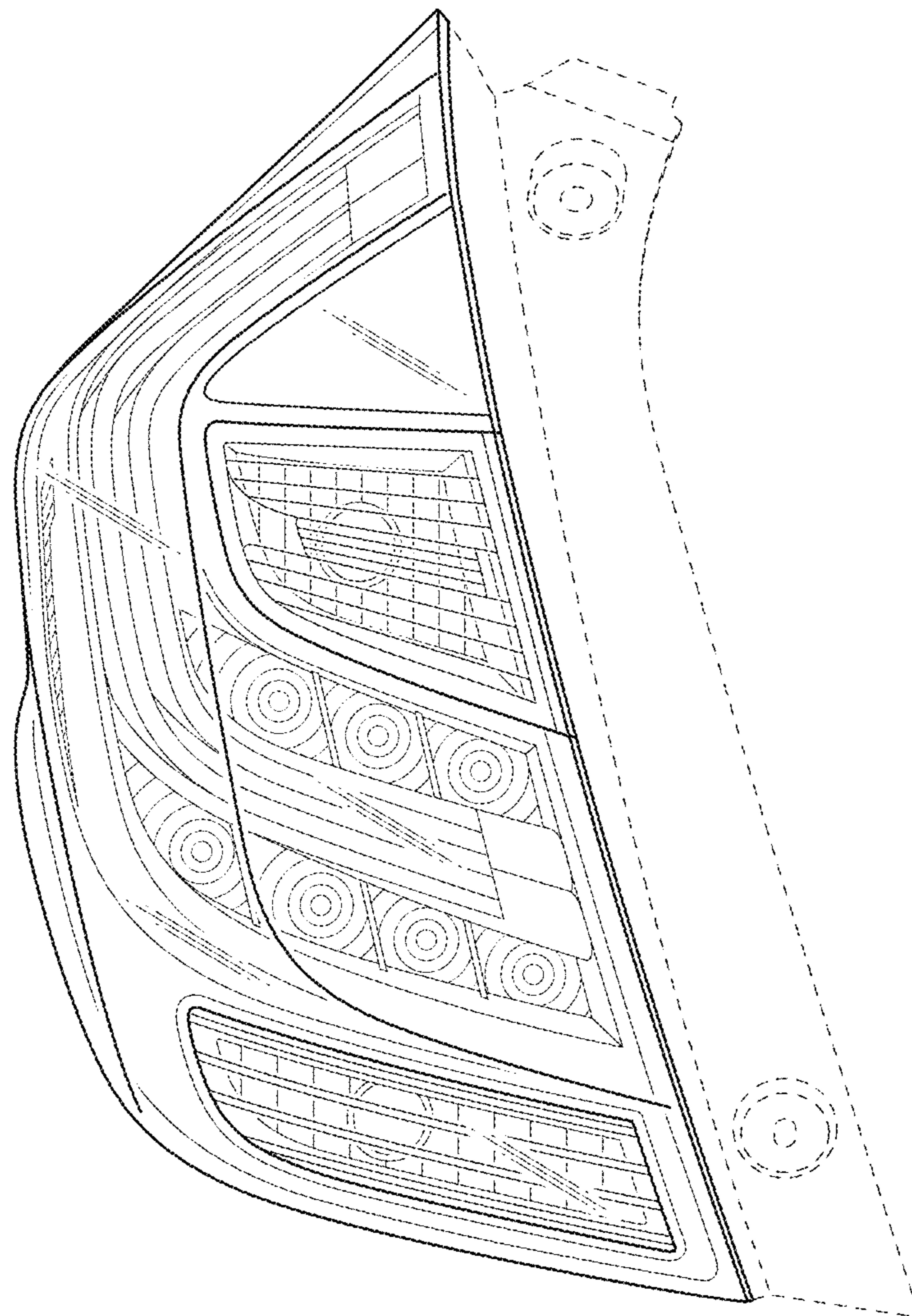


FIG. 3

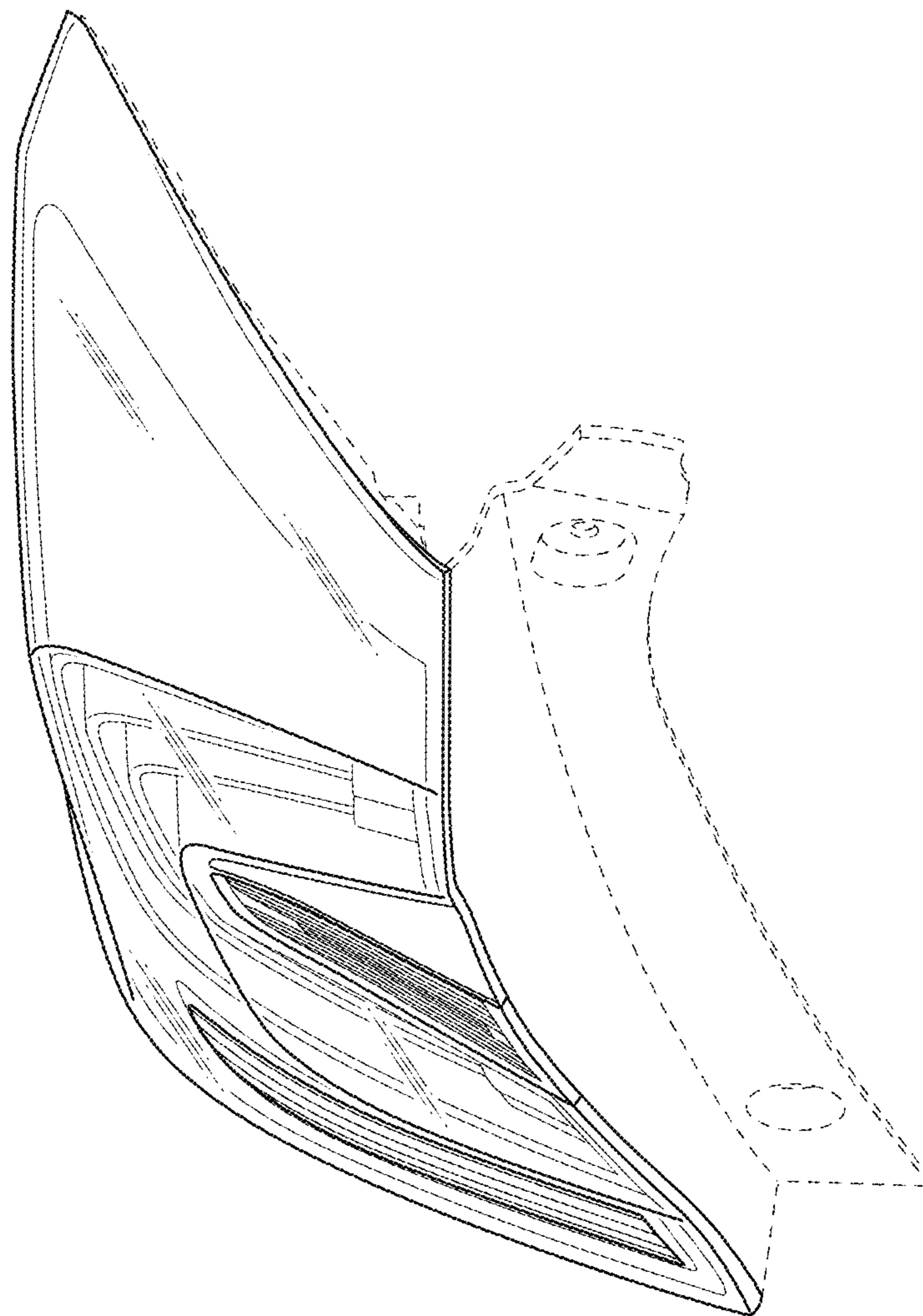


FIG. 4

