



US00D814073S

(12) **United States Design Patent**
Granlund et al.

(10) **Patent No.:** **US D814,073 S**
(45) **Date of Patent:** **** Mar. 27, 2018**

(54) **HEADLIGHT FOR A VEHICLE**
(71) Applicant: **CHINA-EURO VEHICLE TECHNOLOGY AKTIEBOLAG**, Gothenburg (SE)
(72) Inventors: **Ola Granlund**, Gothenburg (SE); **Hirash Razaghi**, Gothenburg (SE)
(73) Assignee: **CHINA-EURO VEHICLE TECHNOLOGY**, Gothenburg (SE)
(**) Term: **15 Years**

D591,876 S * 5/2009 Varga D26/28
D635,697 S * 4/2011 Shin D26/28
D683,486 S * 5/2013 Kogawa D26/28
D714,984 S * 10/2014 Lai D26/28
D753,324 S * 4/2016 Rupal D26/28
D755,422 S * 5/2016 Kong D26/28
D761,464 S * 7/2016 Keskin D26/28
D774,223 S * 12/2016 Lim D26/28
D794,850 S * 8/2017 Kim D26/28

* cited by examiner

Primary Examiner — Angela J Lee
(74) *Attorney, Agent, or Firm* — Lee & Hayes, PLLC

(21) Appl. No.: **29/577,960**
(22) Filed: **Sep. 16, 2016**
(30) **Foreign Application Priority Data**

Mar. 18, 2016 (EM) DM/090169

(51) **LOC (11) Cl.** **26-07**
(52) **U.S. Cl.**
USPC **D26/28**
(58) **Field of Classification Search**
USPC D26/28-36; 362/459-468, 475-478, 362/485-487
CPC F21S 48/00; F21S 48/10; F21S 48/115; F21S 48/225; F21S 48/1233; F21S 48/1266; F21S 48/1388; F21S 48/2268; F21V 21/04
See application file for complete search history.

(56) **References Cited**
U.S. PATENT DOCUMENTS

D548,377 S * 8/2007 Markefka D26/28
D561,359 S * 2/2008 Hsu D26/28

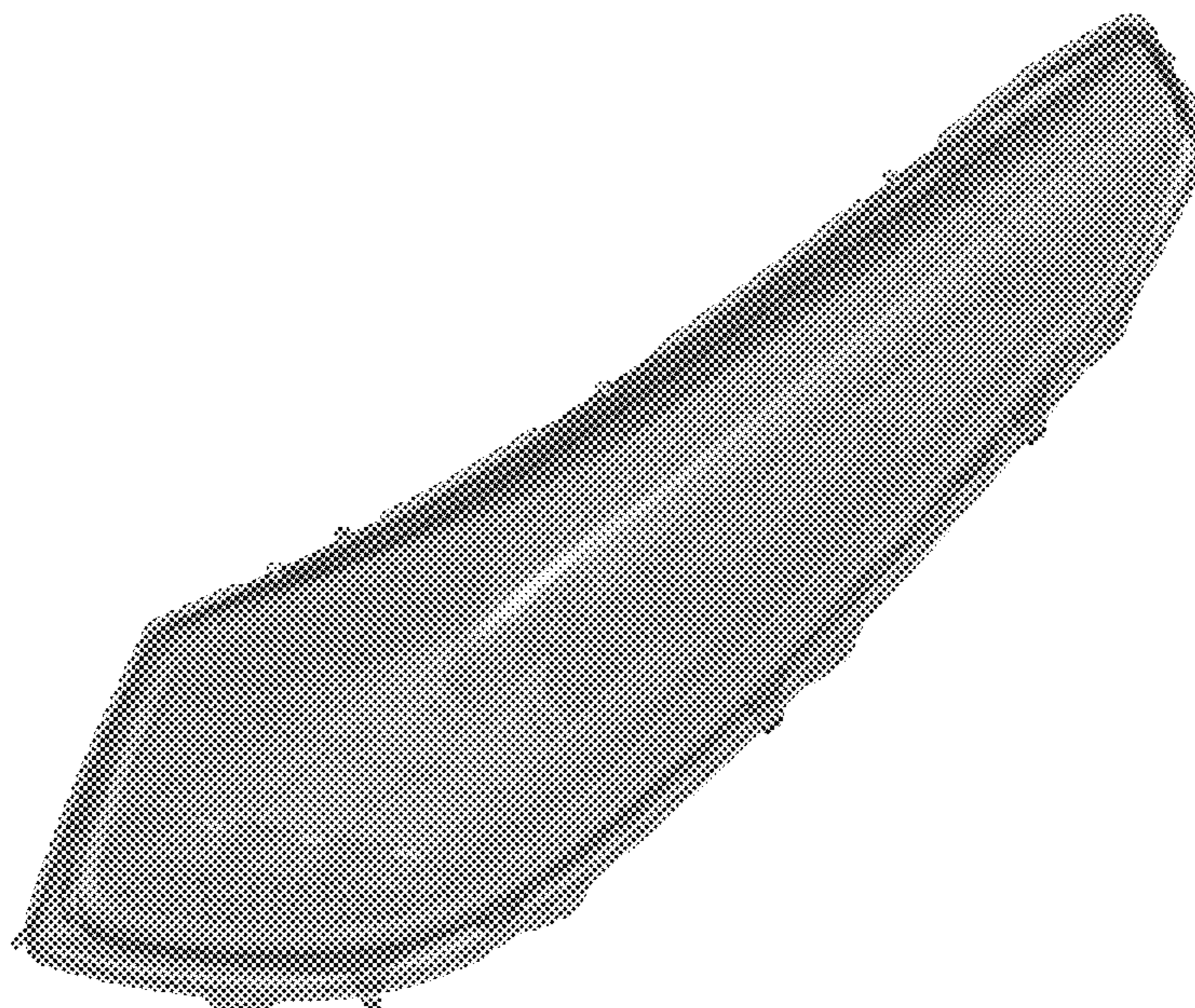
(57) **CLAIM**

The ornamental design for a headlight for a vehicle, as shown and described.

DESCRIPTION

FIG. 1 is a perspective view of a headlight for a vehicle, taken from the front.
FIG. 2 is a front view of the headlight for a vehicle of FIG. 1.
FIG. 3 is a right-side view of the headlight for a vehicle of FIG. 1.
FIG. 4 is a back view of the headlight for a vehicle of FIG. 1.
FIG. 5 is a left-side view of the headlight for a vehicle of FIG. 1.
FIG. 6 is a top view of the headlight for a vehicle of FIG. 1; and,
FIG. 7 is a bottom view of the headlight for a vehicle of FIG. 1.

1 Claim, 7 Drawing Sheets



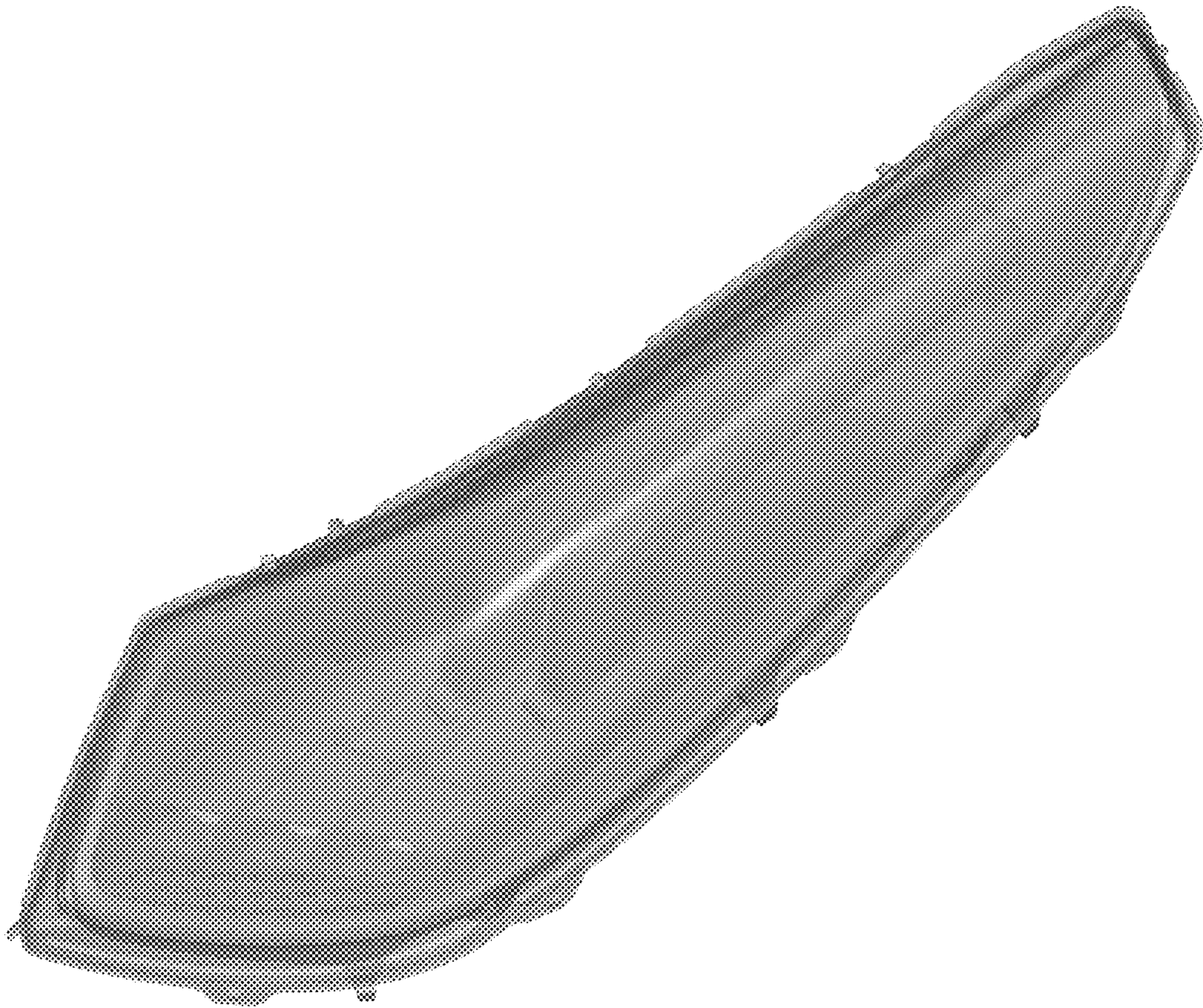


FIG. 1

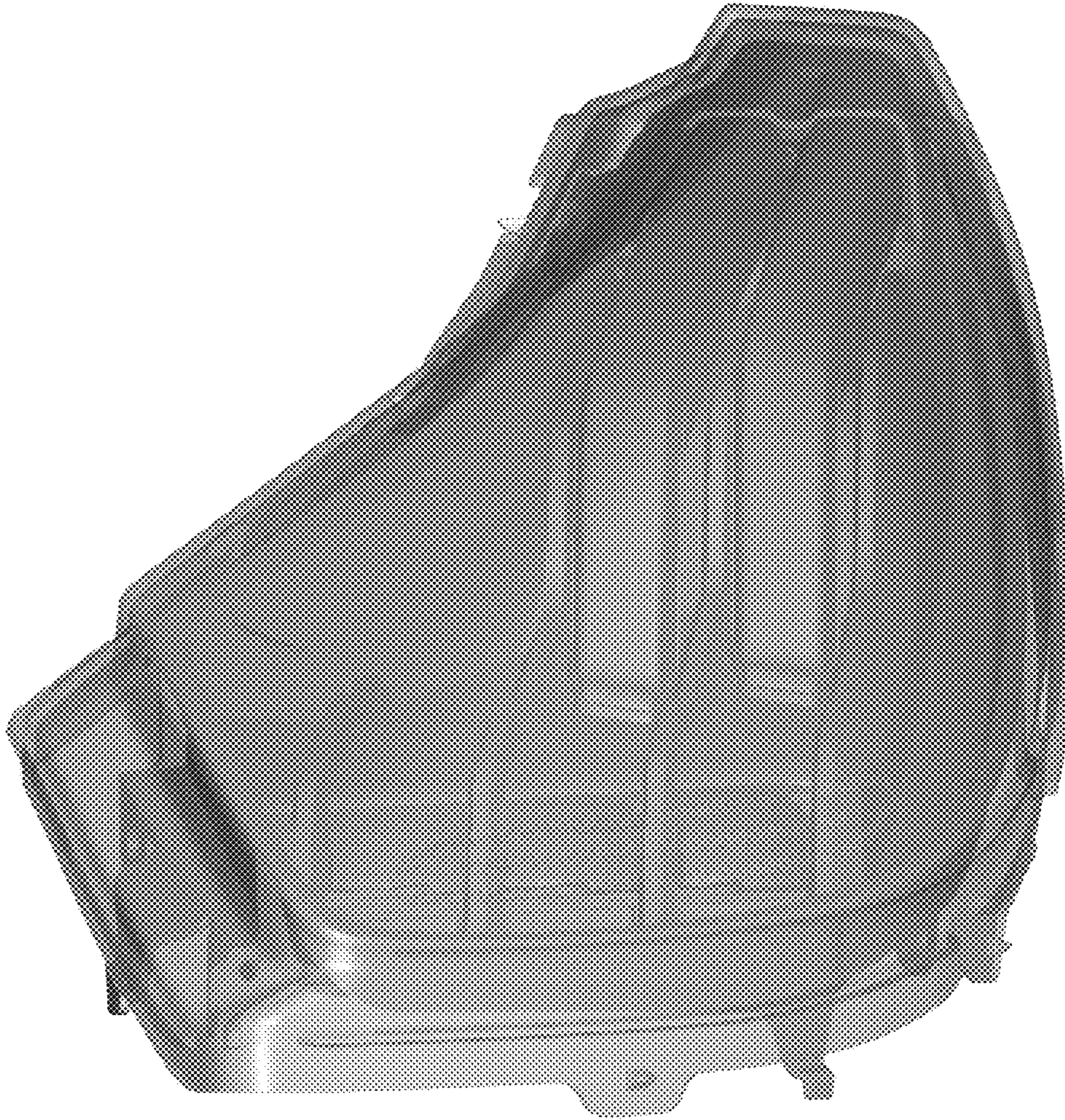


FIG. 2

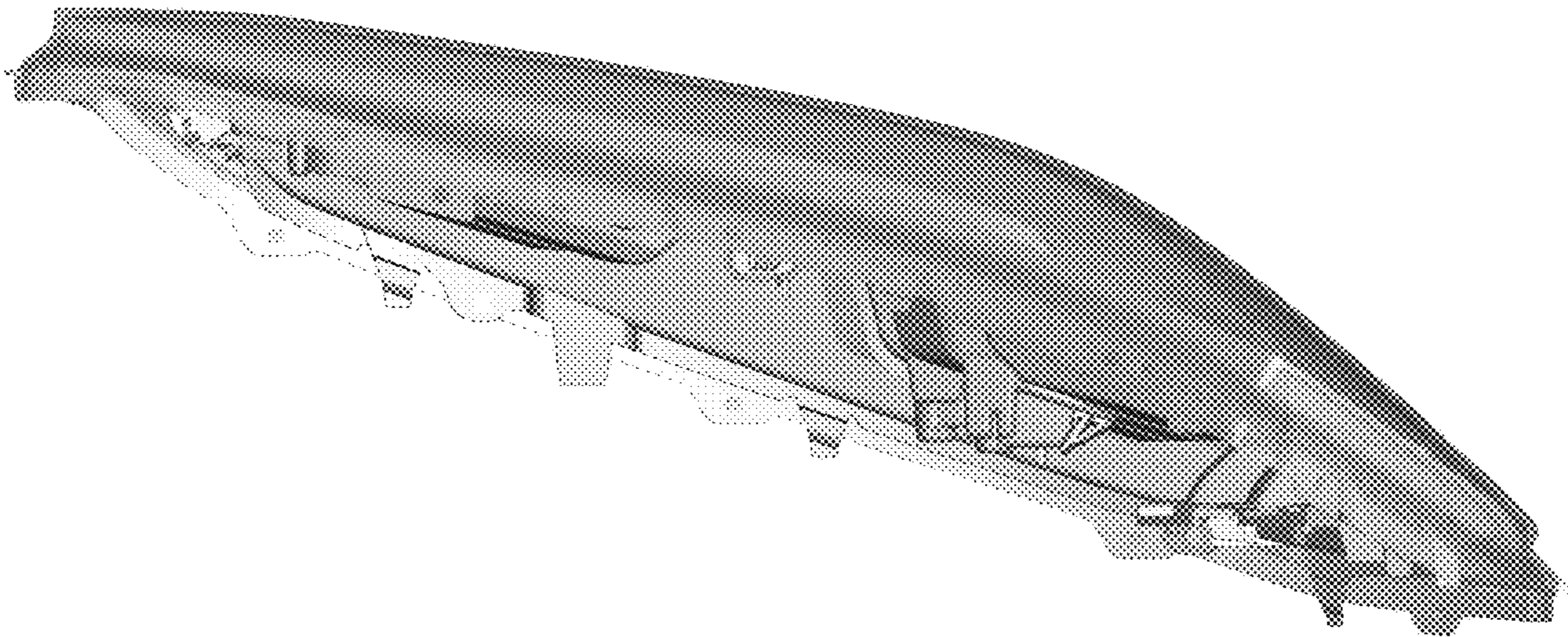


FIG. 3

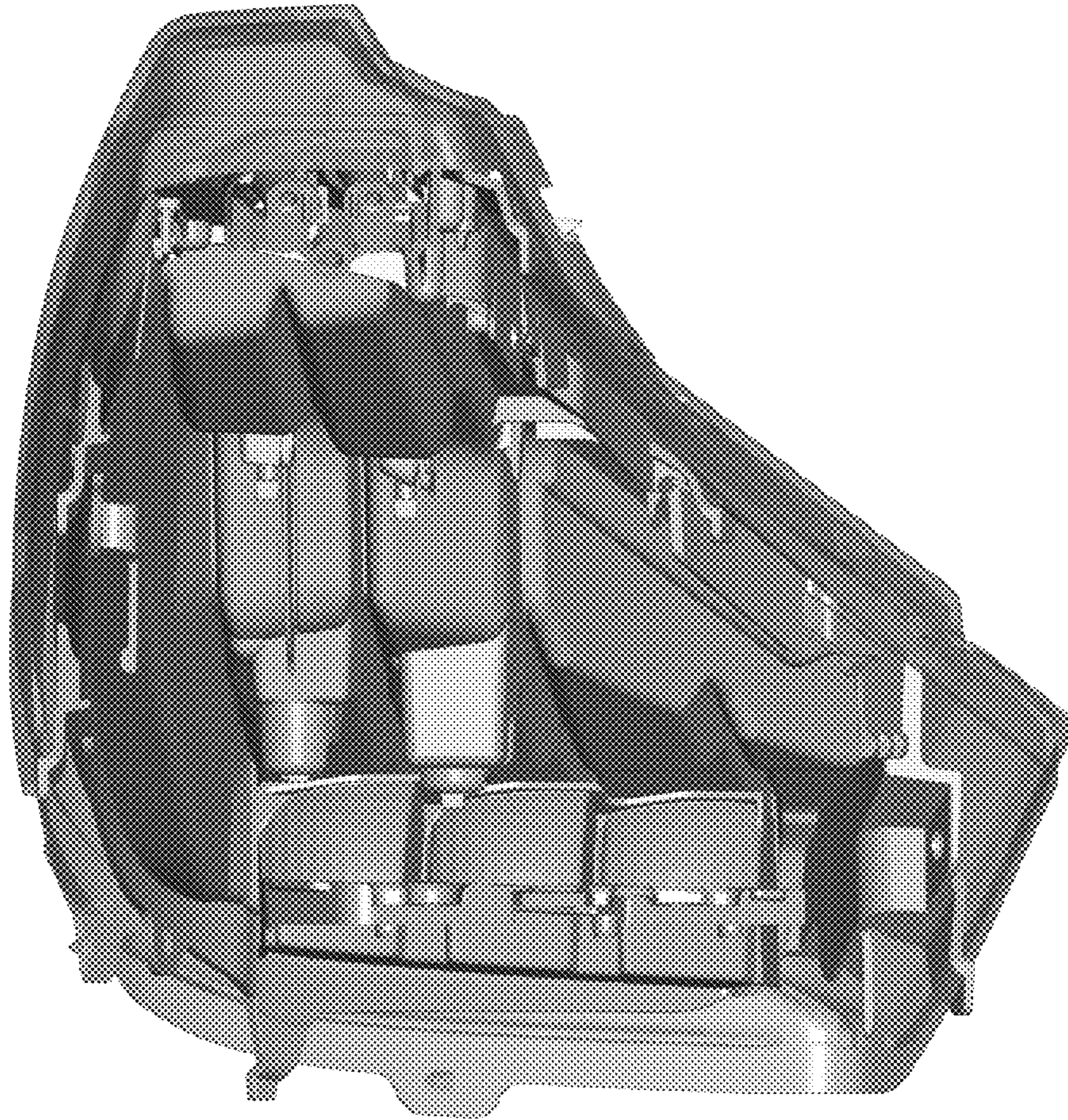


FIG. 4

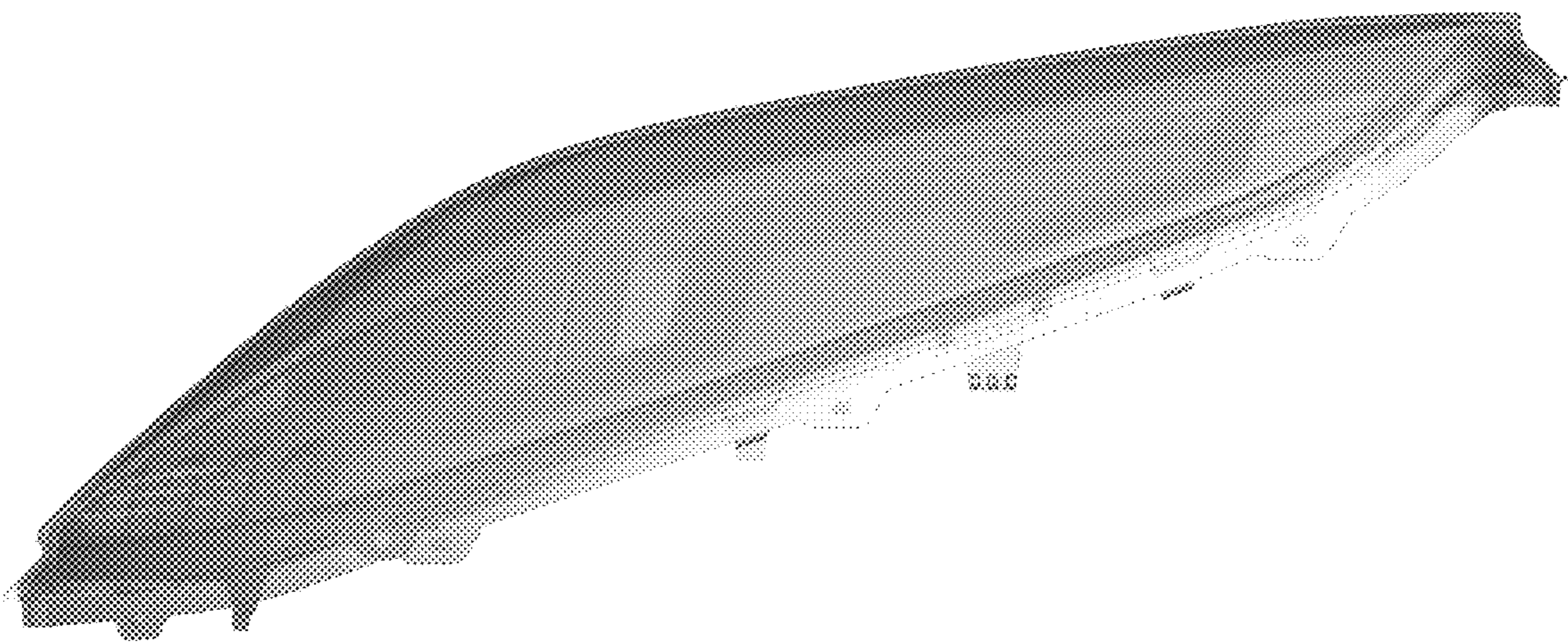


FIG. 5

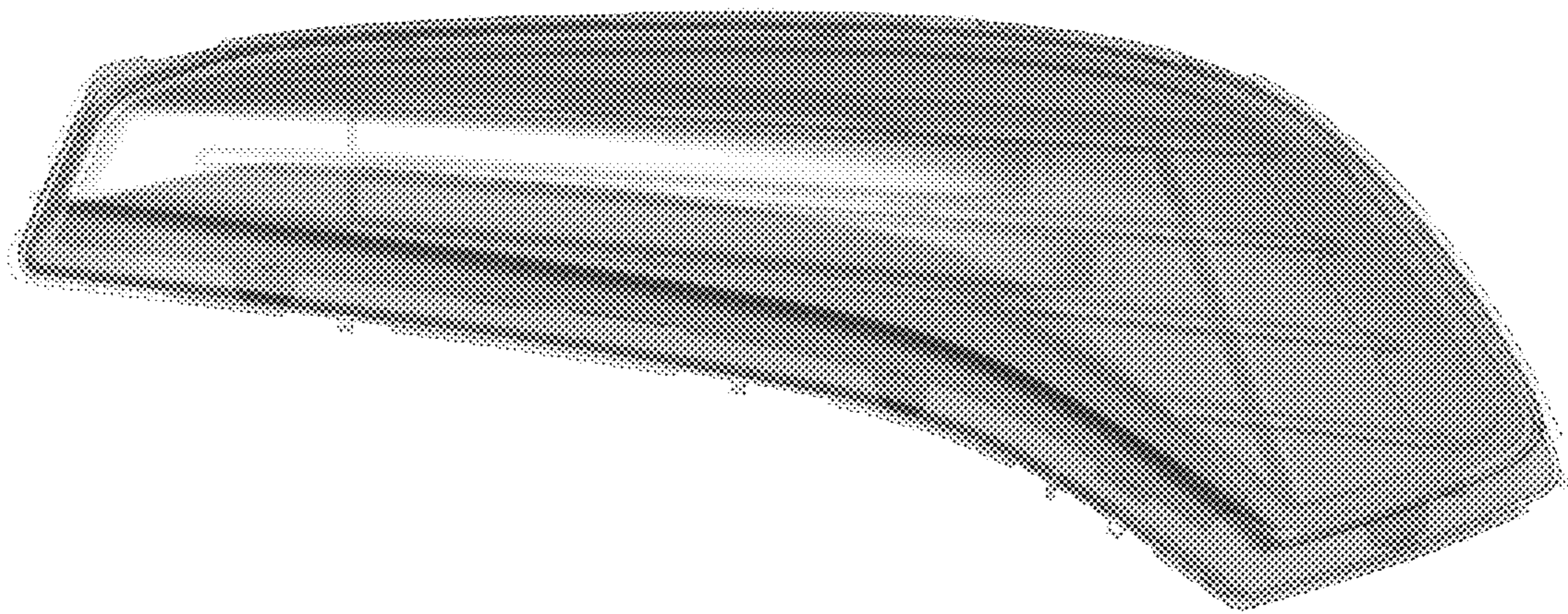


FIG. 6

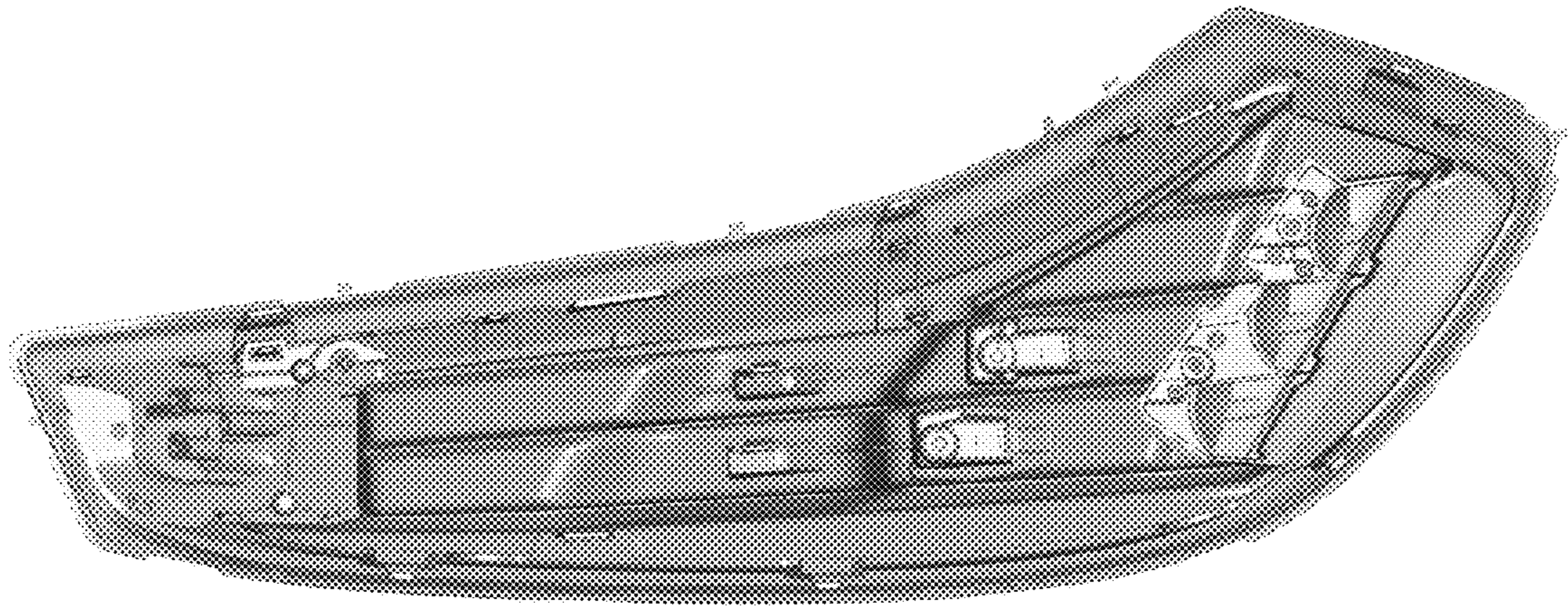


FIG. 7