



US00D814070S

(12) **United States Design Patent** (10) **Patent No.:** **US D814,070 S**
Wu (45) **Date of Patent:** **** *Mar. 27, 2018**

(54) **LED LAMP**

(56) **References Cited**

(71) Applicant: **Hangzhou Ander Electron Co., Ltd.**,
Hangzhou (CN)

(72) Inventor: **Zhaozhao Wu**, Hangzhou (CN)

(*) Notice: This patent is subject to a terminal disclaimer.

(**) Term: **15 Years**

(21) Appl. No.: **29/567,184**

(22) Filed: **Jun. 7, 2016**

(30) **Foreign Application Priority Data**

Dec. 31, 2015 (CN) 2015 3 0570381

(51) **LOC (11) Cl.** **26-04**

(52) **U.S. Cl.**
USPC **D26/2**

(58) **Field of Classification Search**
USPC D26/1-4; 313/313, 315, 316, 317, 318,
313/493; 315/52, 53, 56, 57, 58
CPC H01R 5/00; H01R 13/46; H01R 13/514;
H01R 31/048; H01R 31/02; H01J 5/00;
H01J 5/16; H01J 5/48; H01J 5/50; H01J
15/00; F21V 5/00

See application file for complete search history.

U.S. PATENT DOCUMENTS

D471,294 S *	3/2003	Bobel	D26/2
D487,939 S *	3/2004	Smith	D26/2
D494,688 S *	8/2004	Van de Ven	D26/2
D500,872 S *	1/2005	Foo	D26/2
D543,288 S *	5/2007	Bembridge	D26/2
D634,451 S *	3/2011	de Visser	D26/2
D661,821 S *	6/2012	Veres	D26/2

* cited by examiner

Primary Examiner — Marcus Jackson

(74) *Attorney, Agent, or Firm* — Wayne & Ken, LLC;
Tony C. Hom

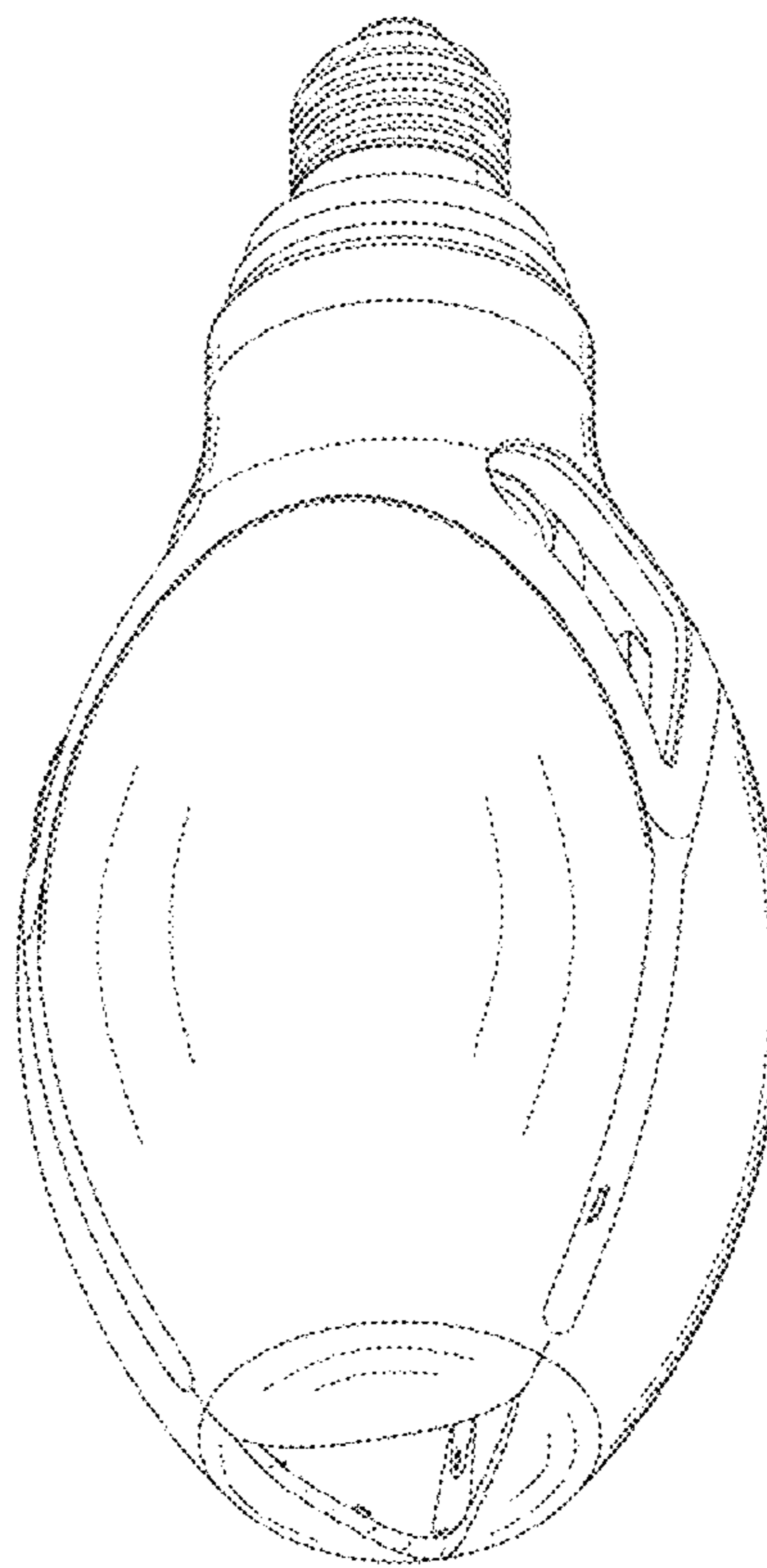
(57) **CLAIM**

The ornamental design for LED lamp, as shown and described.

DESCRIPTION

FIG. 1 is perspective view showing my design;
FIG. 2 is another perspective view showing my design
FIG. 3 is a front view showing my design;
FIG. 4 is a back view showing my design;
FIG. 5 is a left side view showing my design;
FIG. 6 is a right side view showing my design;
FIG. 7 is a top plan view showing my design; and,
FIG. 8 is a bottom plan view showing my design.

1 Claim, 8 Drawing Sheets



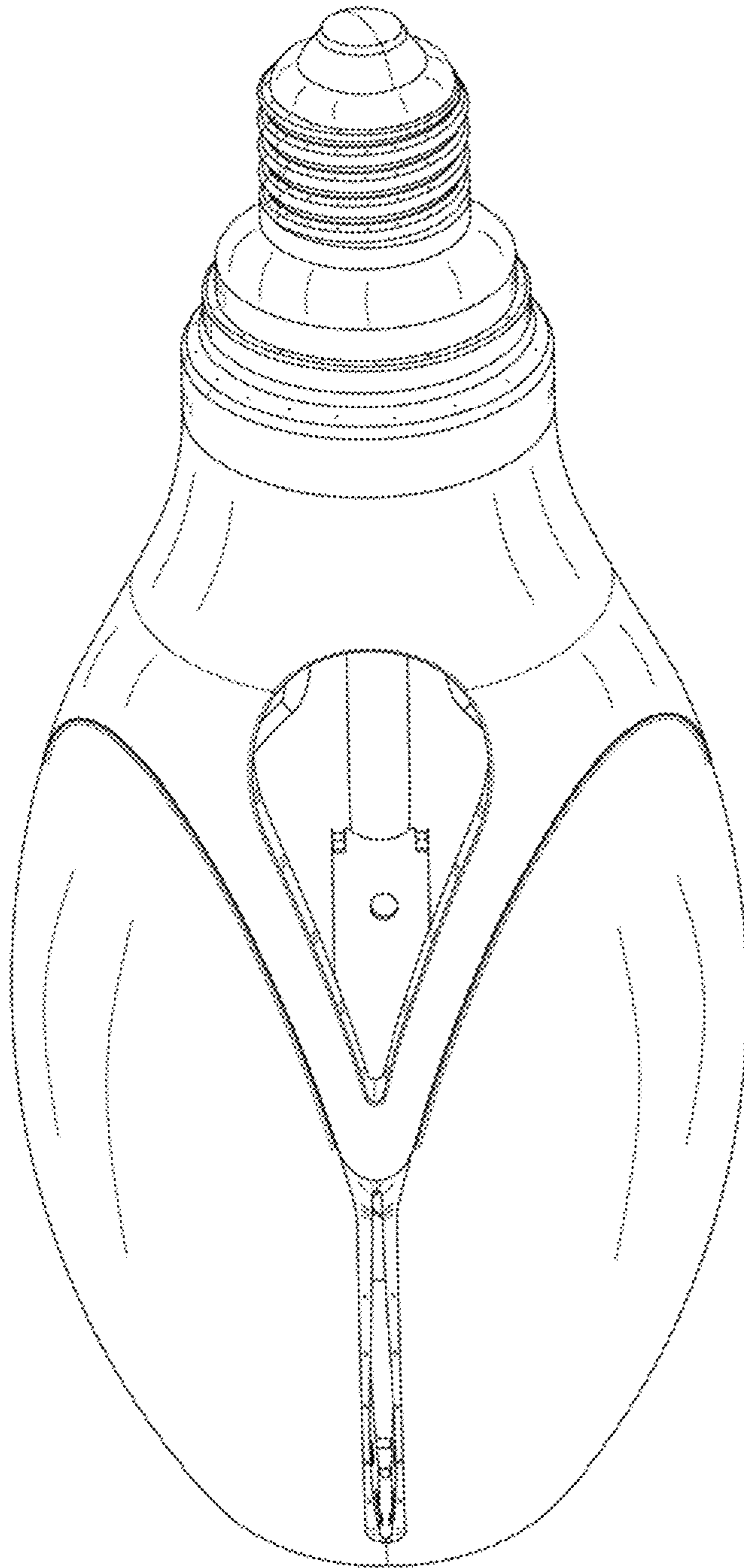


FIG. 1

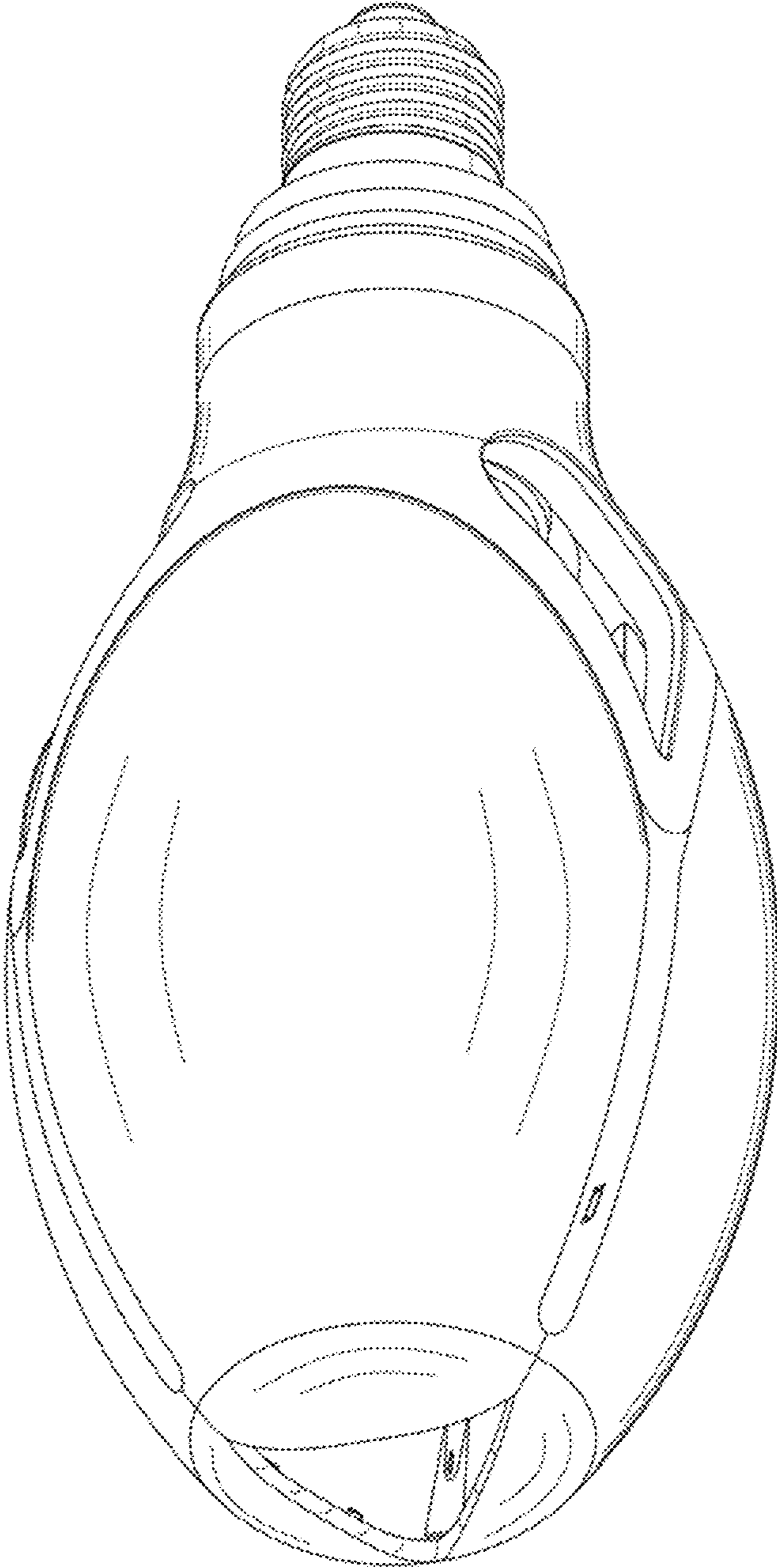


FIG.2

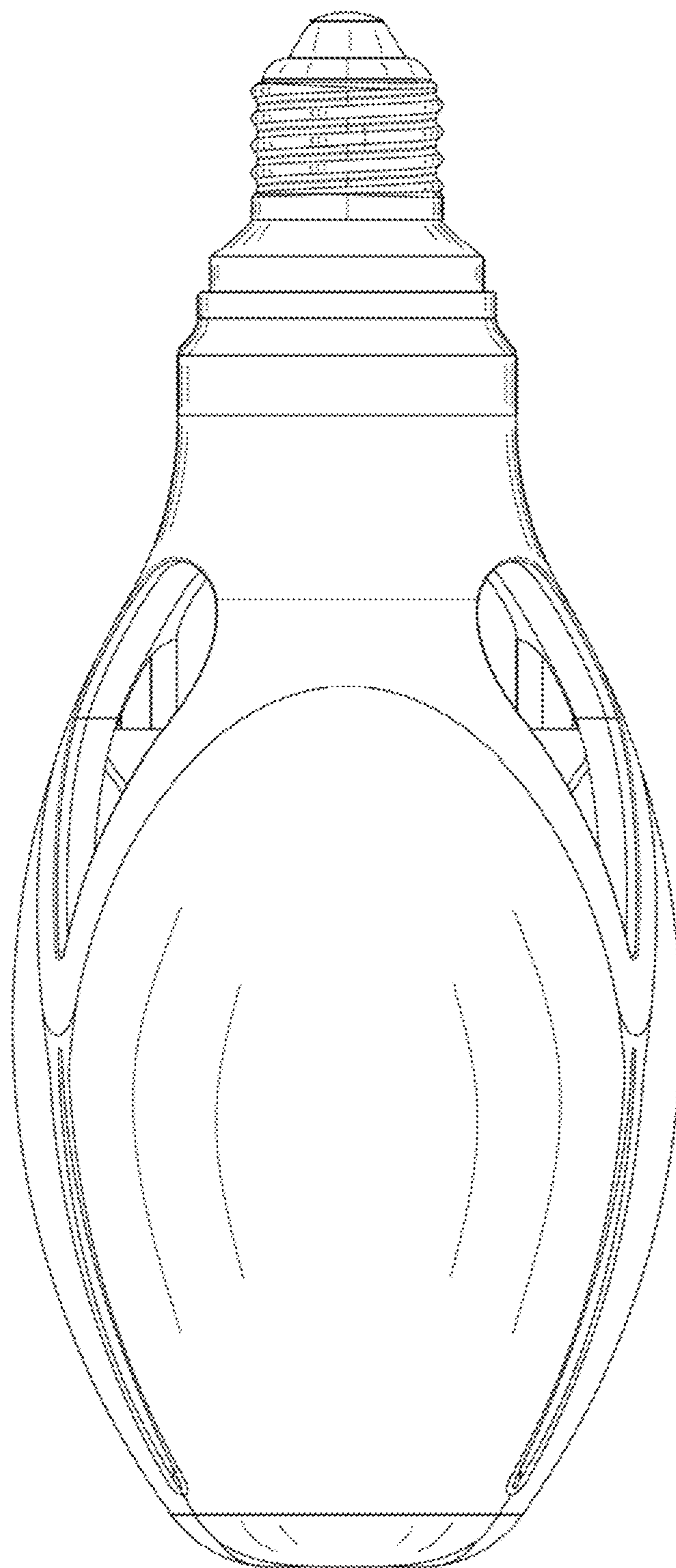


FIG.3

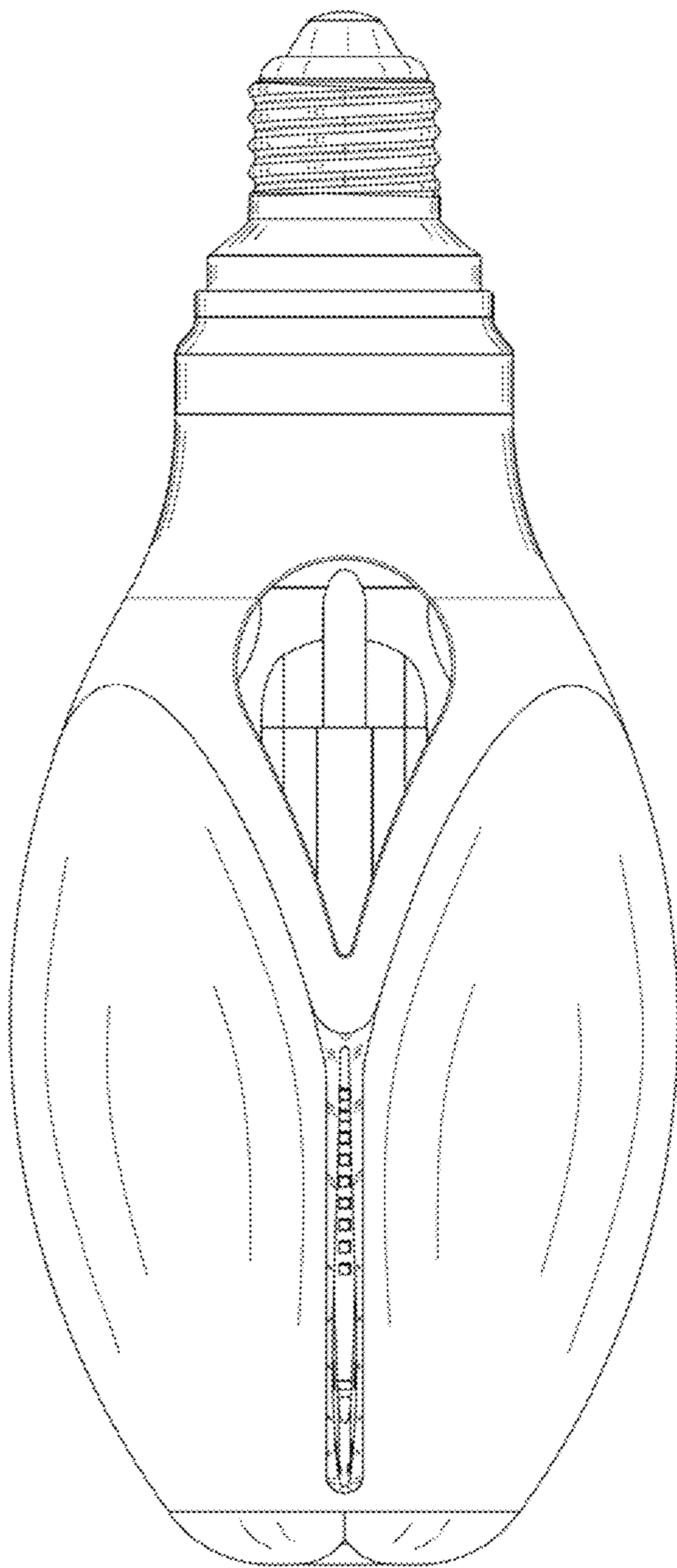


FIG.4

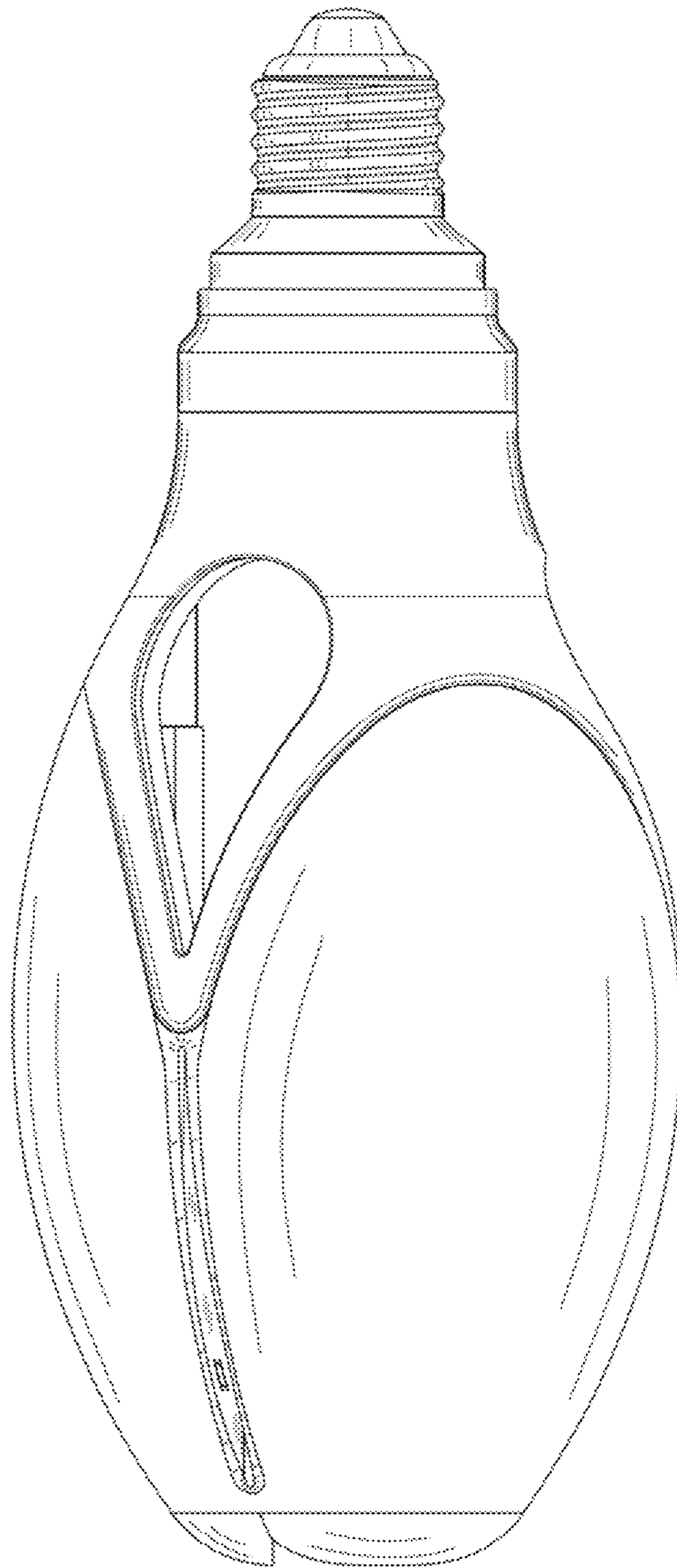


FIG. 5

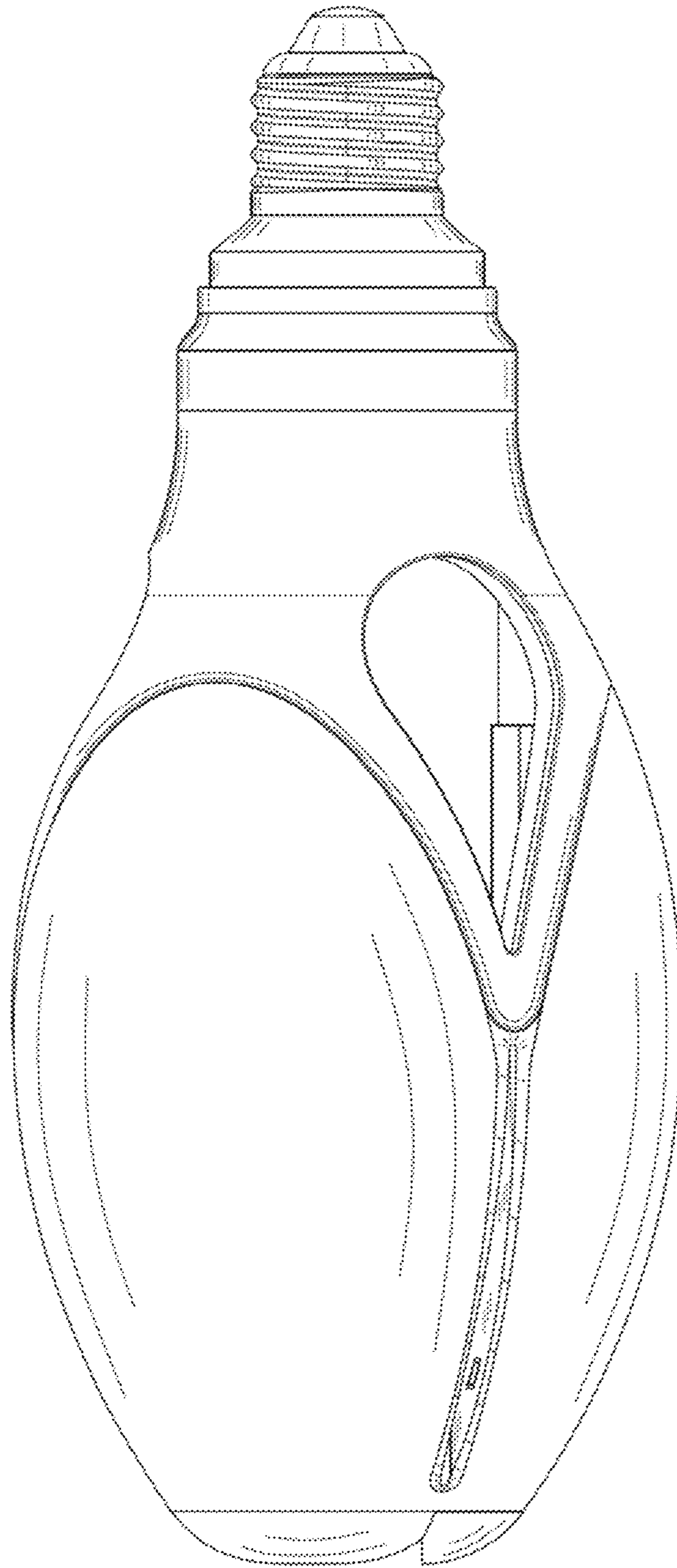


FIG.6

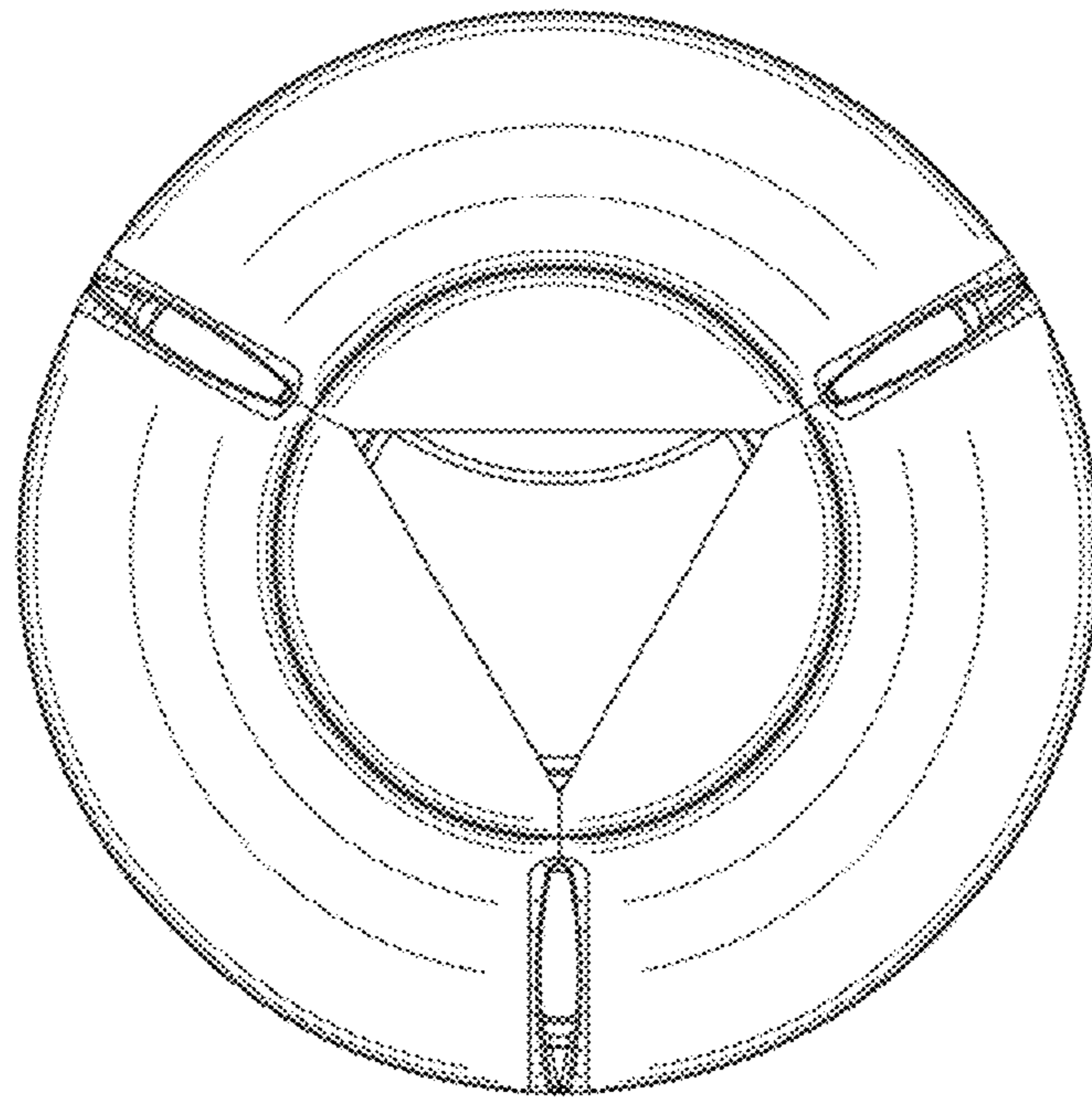


FIG. 7

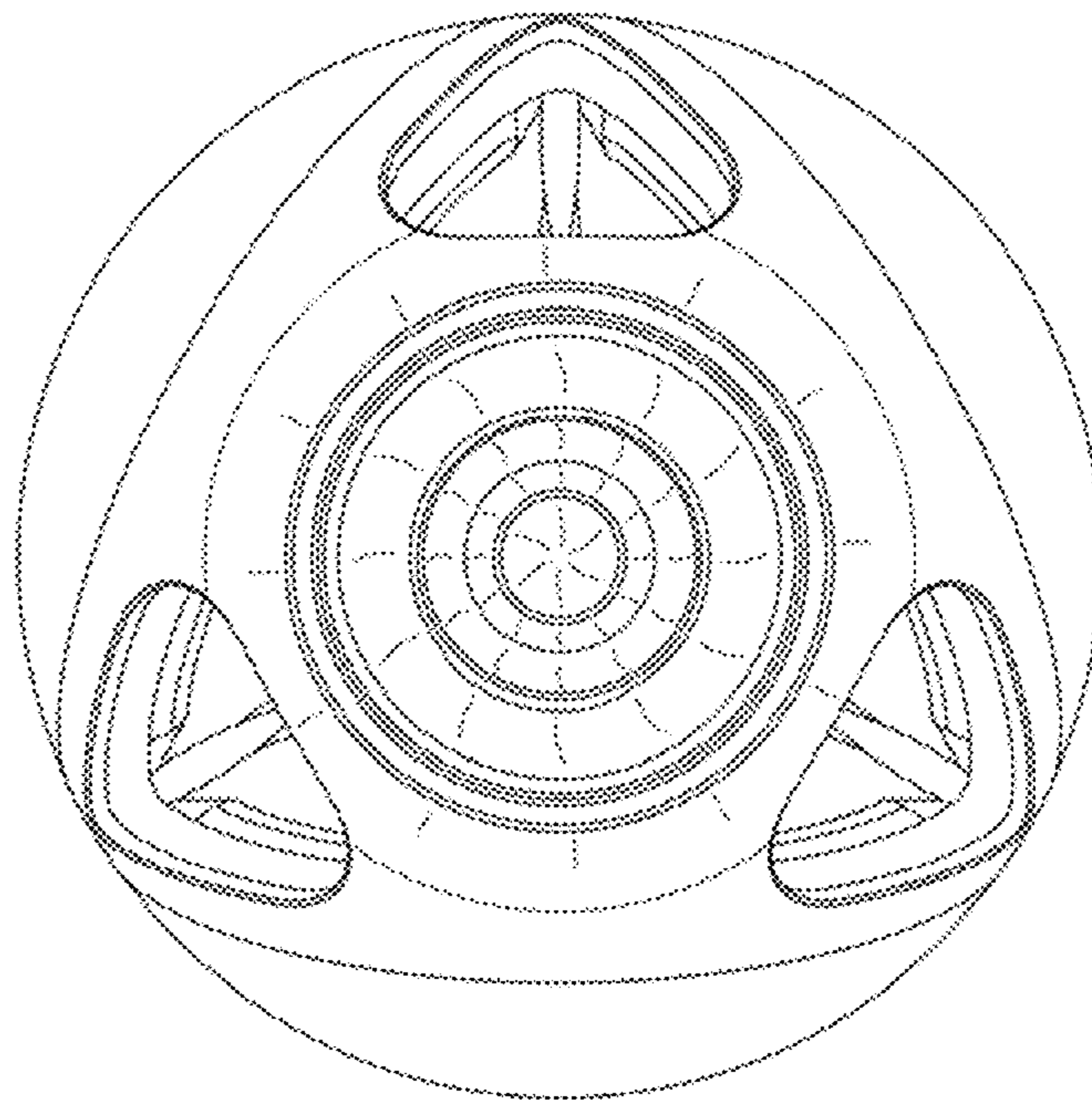


FIG. 8