



US00D814069S

(12) **United States Design Patent**  
**Nowacek**

(10) **Patent No.:** **US D814,069 S**  
(45) **Date of Patent:** **\*\* Mar. 27, 2018**

- (54) **STRAIGHT EDGE ROOF TILE**
- (71) Applicant: **David Nowacek**, San Antonio, TX (US)
- (72) Inventor: **David Nowacek**, San Antonio, TX (US)
- (\*\*) Term: **15 Years**
- (21) Appl. No.: **29/556,147**
- (22) Filed: **Feb. 27, 2016**
- (51) **LOC (11) Cl.** ..... **25-01**
- (52) **U.S. Cl.**  
USPC ..... **D25/140**
- (58) **Field of Classification Search**  
USPC ..... D25/138-163  
CPC .... E04D 1/00; E04D 1/02; E04D 1/06; E04D 1/12; E04D 1/18; E04D 3/00; E04D 3/02; E04D 3/16; E04D 3/24; E04D 3/30; E04D 3/361; E04D 3/368; E04D 3/362; E04D 3/363; E04D 3/364; E04D 1/26; E04D 2001/005; E04D 2001/3491; E04D 7/005; E04F 2201/0115; E04F 2201/0153; E04F 13/08; E04F 13/0894  
See application file for complete search history.

- 3,977,141 A \* 8/1976 Peters ..... B44F 9/02 52/313
- 4,571,353 A \* 2/1986 Gable, Jr. .... A47G 27/0293 404/41
- 6,381,914 B1 \* 5/2002 Bane ..... B28B 5/028 52/536
- 6,463,708 B1 \* 10/2002 Anderson ..... E04D 1/18 52/520

**OTHER PUBLICATIONS**

Ironstone Roofing (on-line), no date available. Retrieved from Internet Jun. 21, 2017, URL: <https://www.ironstonestrong.com> (4 pages).\*

\* cited by examiner

*Primary Examiner* — Vy N Koenig  
*Assistant Examiner* — Kimberly Barnes  
(74) *Attorney, Agent, or Firm* — Eric A. Hinojosa

(57) **CLAIM**

The ornamental design for a straight edge roof tile, as shown and described.

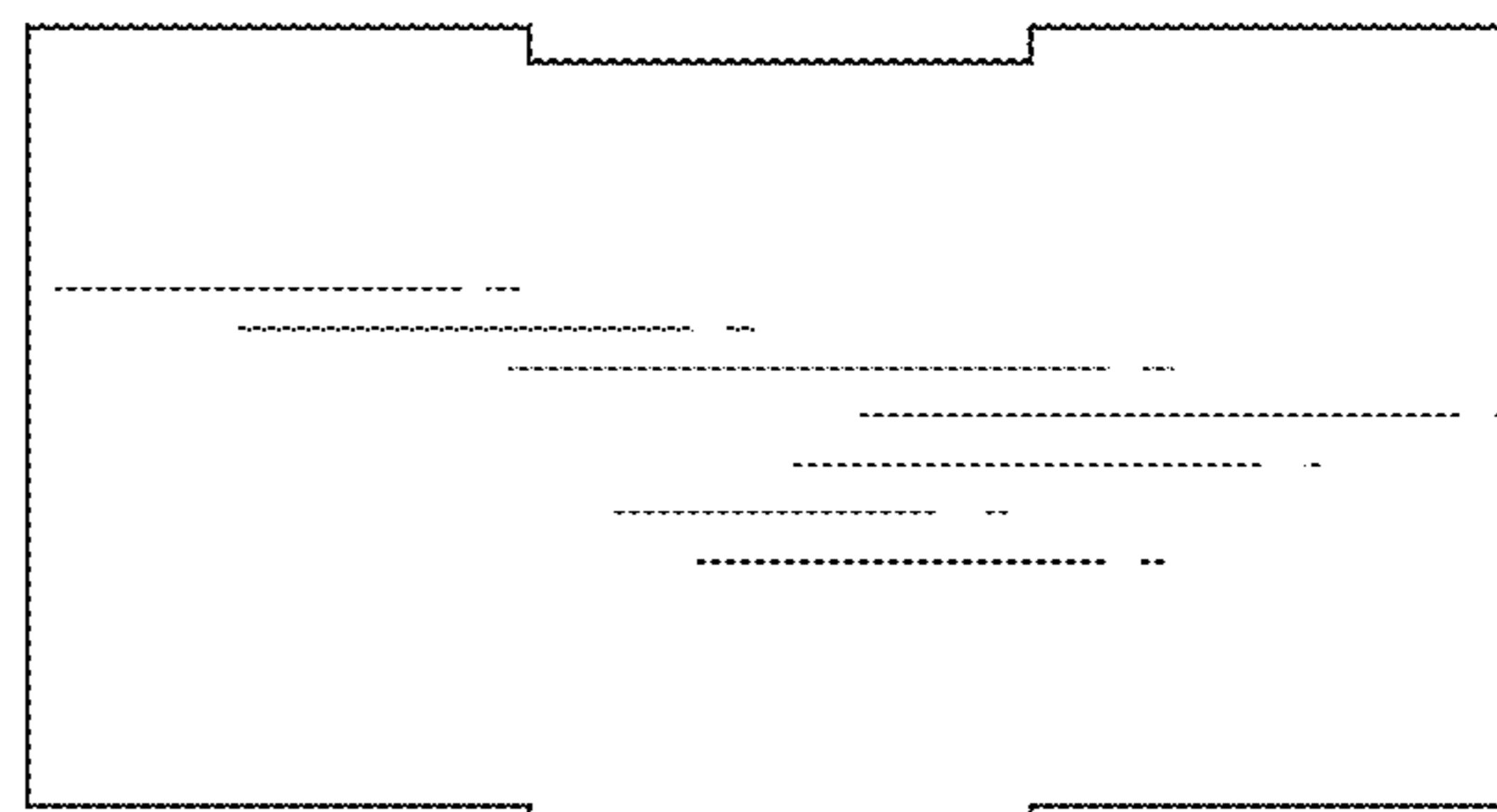
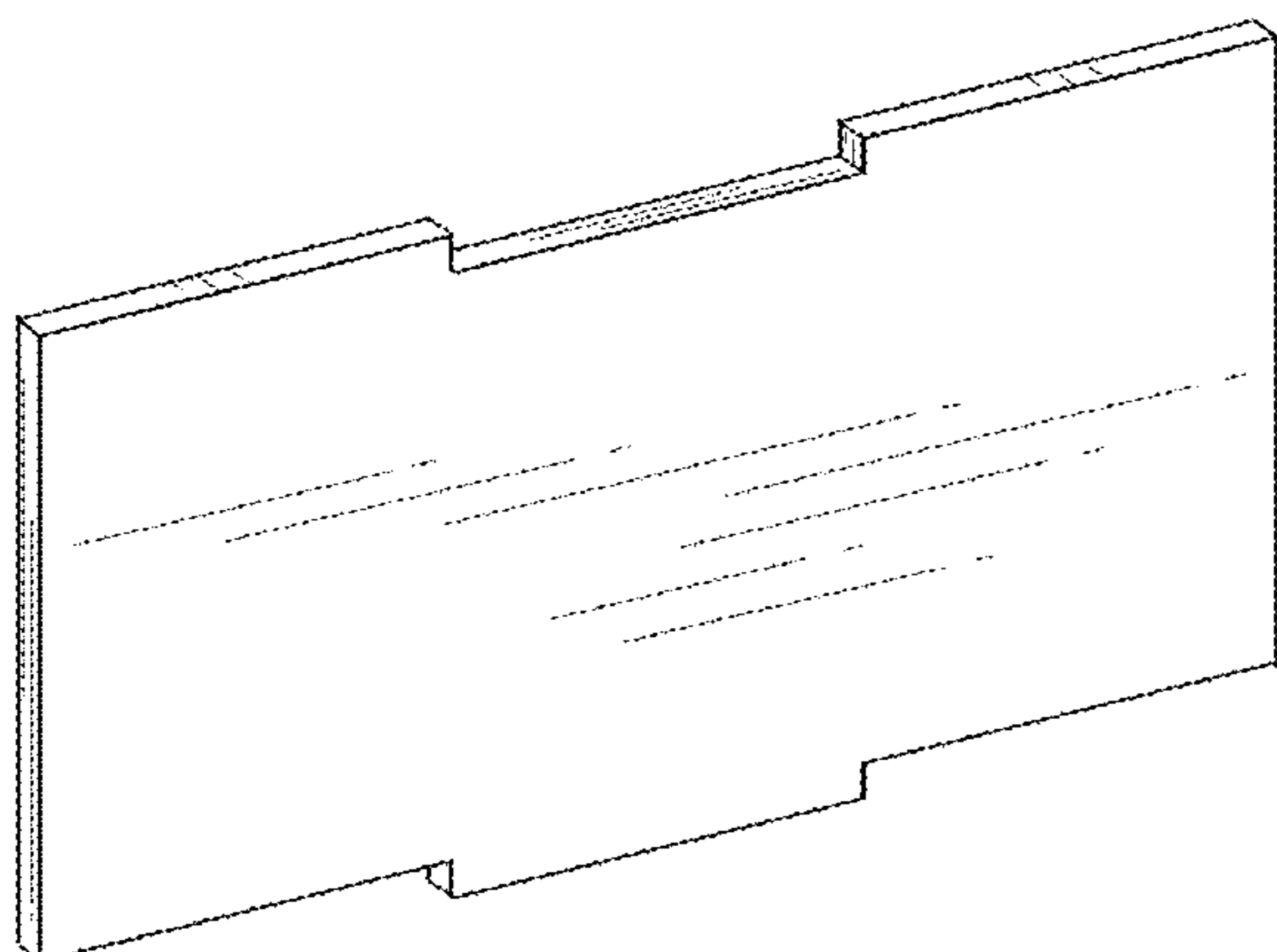
**DESCRIPTION**

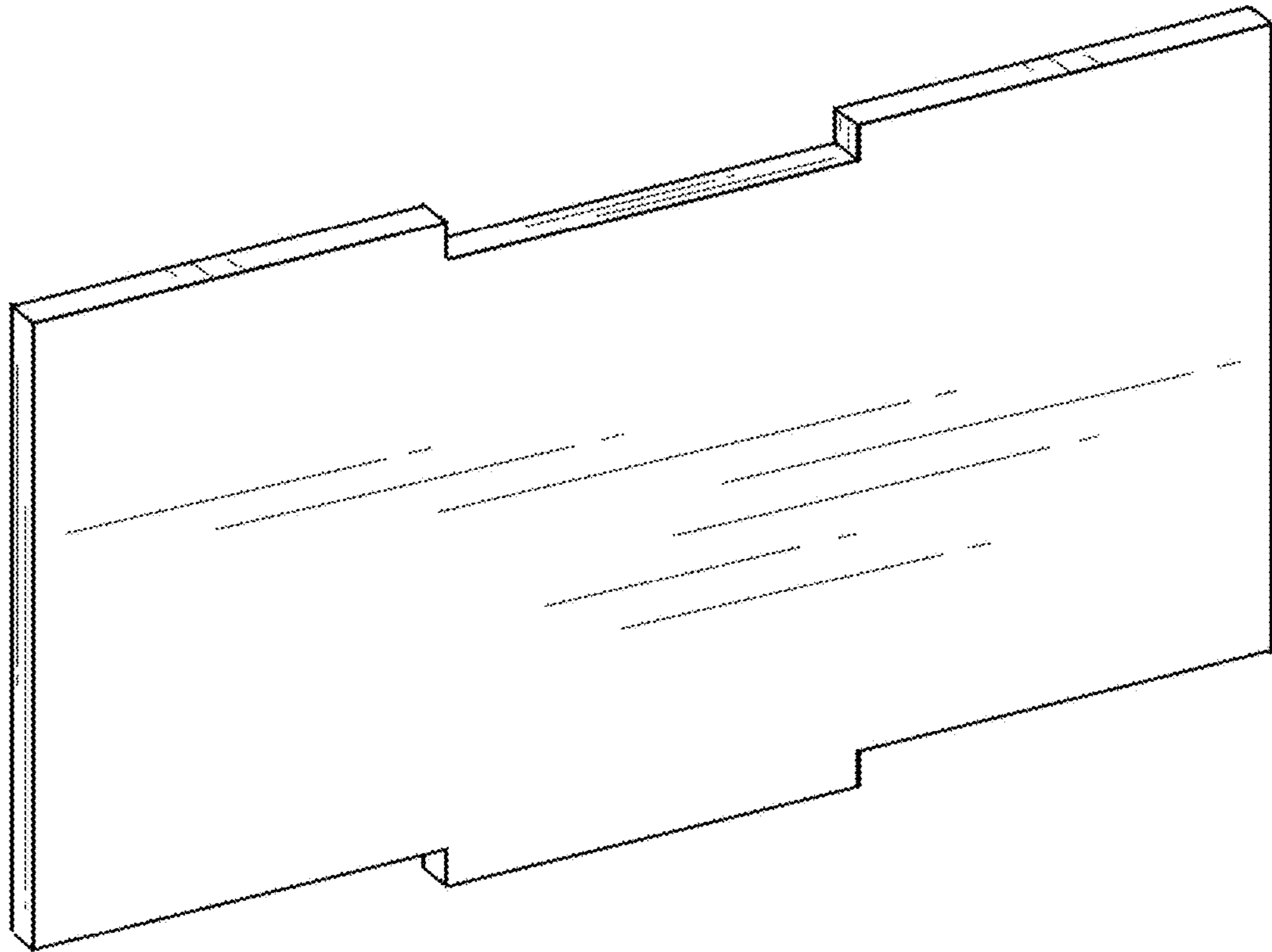
FIG. 1 is a front perspective view of a straight edge roof tile showing my new design;  
FIG. 2 is a top plan view of a straight edge roof tile showing my new design;  
FIG. 3 is a front elevation view of a straight edge roof tile showing my new design;  
FIG. 4 is a bottom plan view of a straight edge roof tile showing my new design;  
FIG. 5 is a left side elevation view of a straight edge roof tile showing my new design;  
FIG. 6 is a right side elevation view of a straight edge roof tile showing my new design; and,  
FIG. 7 is a rear elevation view of a straight edge roof tile showing my new design.

**1 Claim, 3 Drawing Sheets**

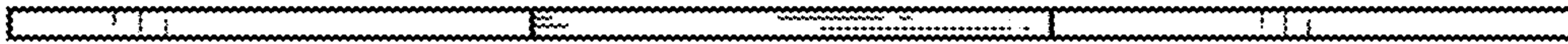
(56) **References Cited**  
U.S. PATENT DOCUMENTS

- 1,431,530 A \* 10/1922 Leicester ..... E04B 2/04 52/302.1
- D95,731 S \* 5/1935 Cahill et al. .... D25/139
- 2,096,968 A \* 10/1937 Johnston ..... E04D 1/26 428/143
- 2,161,440 A \* 6/1939 Venrick ..... E04D 1/26 52/553
- 2,187,203 A \* 1/1940 Johnston ..... E04D 1/265 52/316
- D120,622 S \* 5/1940 Leslie ..... D25/162
- 2,205,679 A \* 6/1940 Ames, Jr. .... E04D 1/26 52/311.2
- 2,687,701 A \* 8/1954 Abraham ..... E04D 1/20 52/543
- 3,221,614 A \* 12/1965 Pertien ..... E01C 5/00 404/41

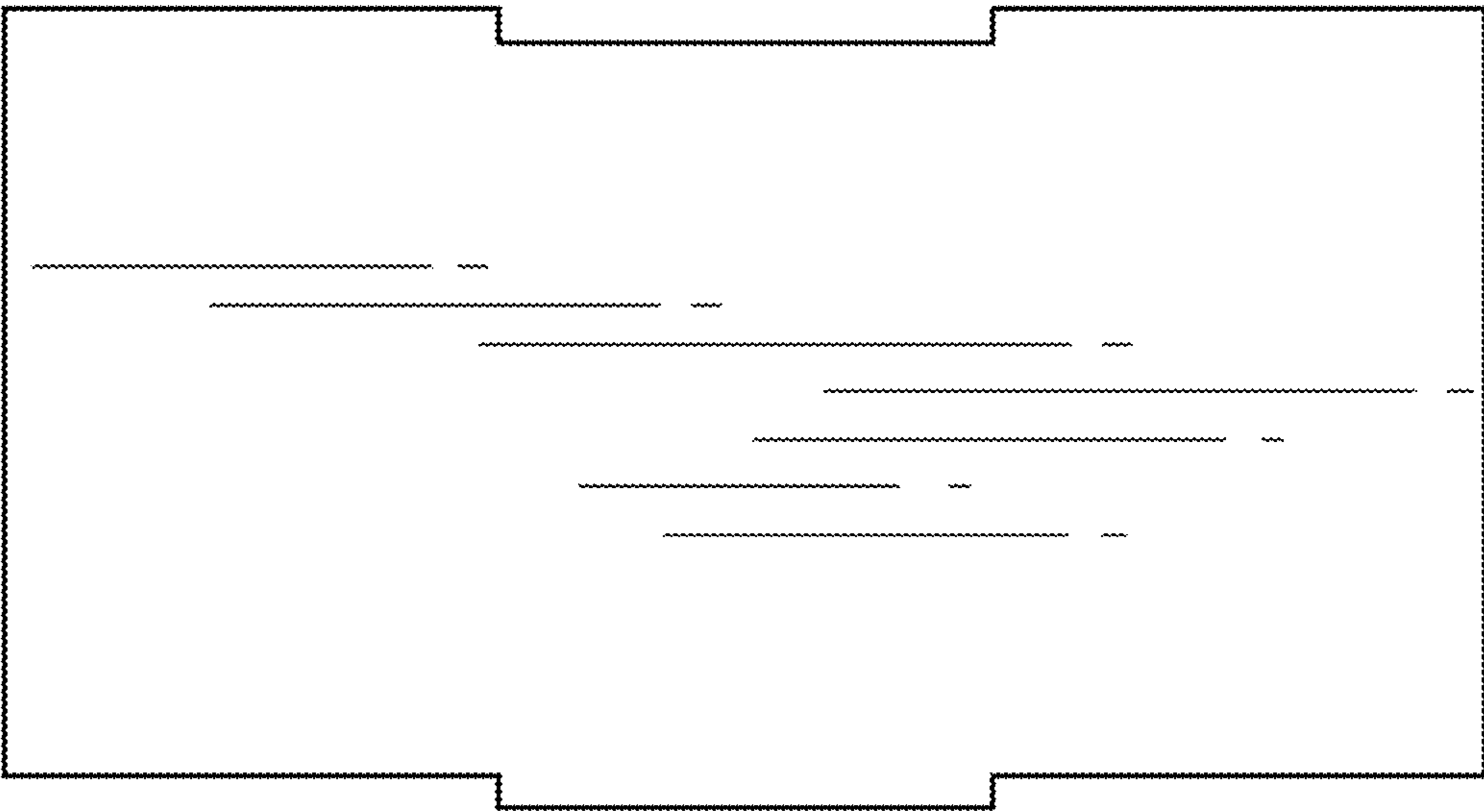




*Fig. 1*



*Fig. 2*



*Fig. 3*



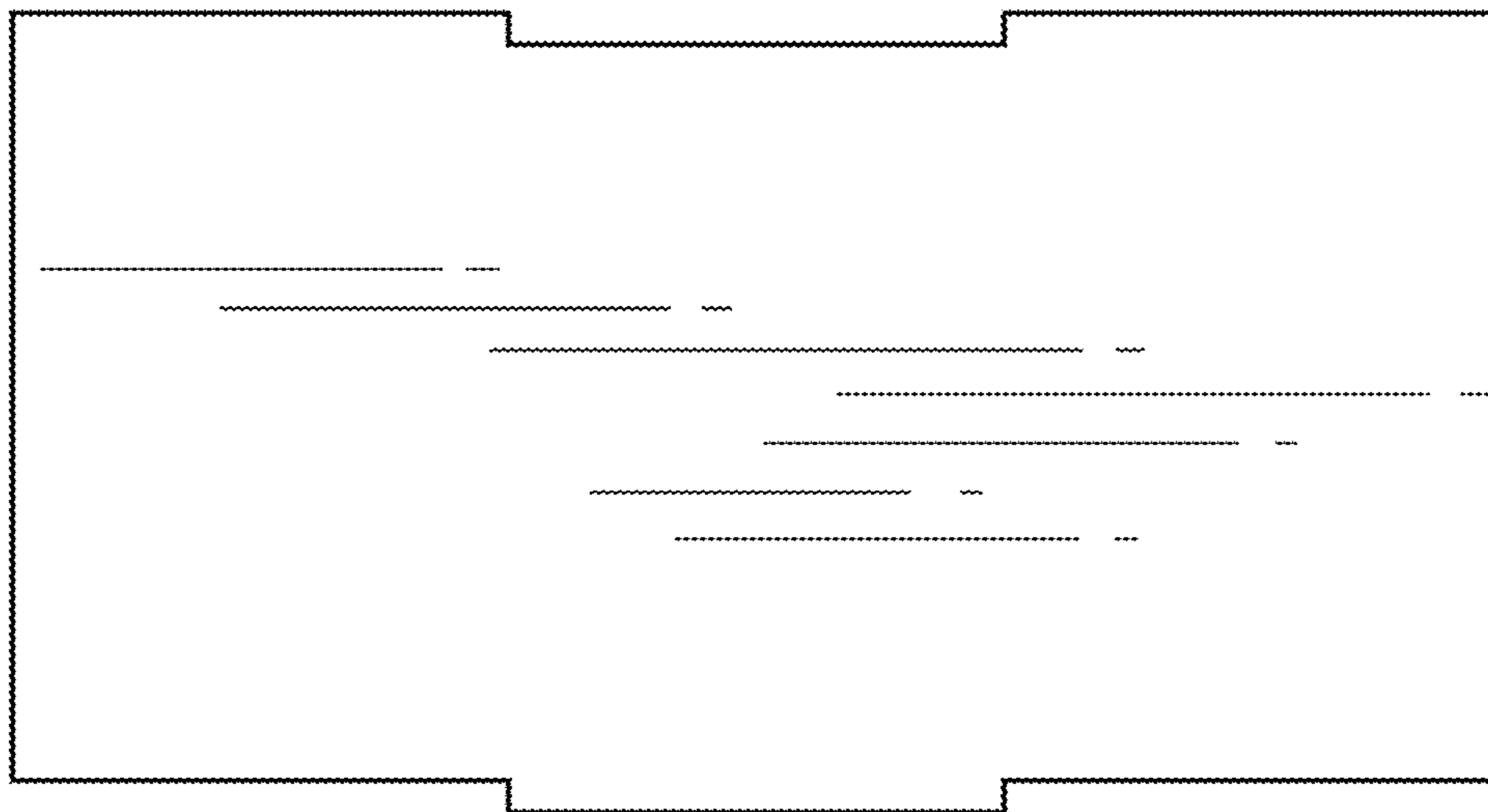
*Fig. 4*



*Fig. 5*



*Fig. 6*



*Fig. 7*