



US00D814064S

(12) **United States Design Patent**
Alvin

(10) **Patent No.:** **US D814,064 S**
(45) **Date of Patent:** **** Mar. 27, 2018**

(54) **GROUNDING RECEPTACLE**
(71) Applicants: **Ho Wei Chon Alvin**, Singapore (SG);
EQUIVOLT M PTE LTD, Singapore (SG)
(72) Inventor: **Ho Wei Chon Alvin**, Singapore (SG)
(**) Term: **15 Years**

3,990,207 A * 11/1976 Eck E04B 1/4114
52/162
4,360,292 A * 11/1982 Keeler E02D 5/808
405/239
D380,886 S * 7/1997 Hauser D1/125
5,819,483 A * 10/1998 Wells E02D 5/80
52/166
D564,679 S * 3/2008 Lax D25/134
D613,881 S * 4/2010 Perko D25/122
9,228,371 B2 * 1/2016 Volum E04H 12/2253

(21) Appl. No.: **35/501,305**

* cited by examiner

(22) Filed: **Mar. 22, 2016**

Primary Examiner — Richard E Chilcot

(80) **Hague Agreement Data**

Int. Filing Date: **Mar. 22, 2016**
Int. Reg. No.: **DM/091650**
Int. Reg. Date: **Mar. 22, 2016**
Int. Reg. Pub. Date: **Jul. 29, 2016**

(74) *Attorney, Agent, or Firm* — Sterne, Kessler,
Goldstein & Fox P.L.L.C.

(51) **LOC (11) Cl.** **25-01**

(52) **U.S. Cl.**
USPC **D25/122**
CPC **E04H 12/2253** (2013.01)

(57) **CLAIM**

The ornamental design for a grounding receptacle, as shown and described.

(58) **Field of Classification Search**

USPC D25/121–126, 128, 129, 199; 52/166;
405/259.1–259.4, 244
CPC E04H 12/2253
See application file for complete search history.

DESCRIPTION

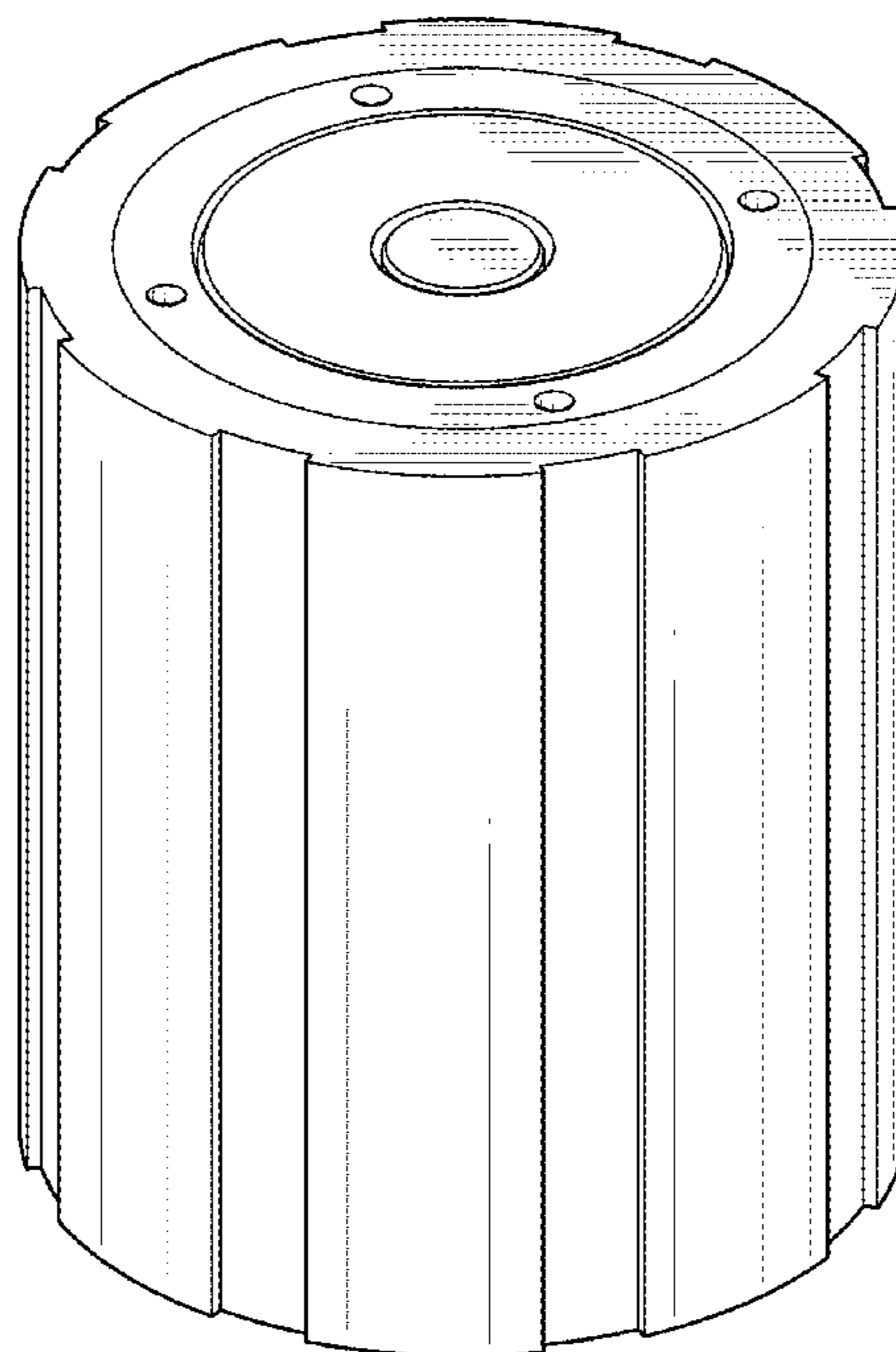
1. Grounding receptacle
FIG. 1.1 is a top perspective view of a grounding receptacle showing the claimed design; and
FIG. 1.2 is a bottom perspective view thereof.
Novelty resides in the shape and configuration as shown in the reproductions.

(56) **References Cited**

U.S. PATENT DOCUMENTS

1,249,062 A * 12/1917 Garvin E02D 5/80
52/166
3,042,161 A * 7/1962 Meyer, Jr. E02D 5/80
119/790

1 Claim, 2 Drawing Sheets



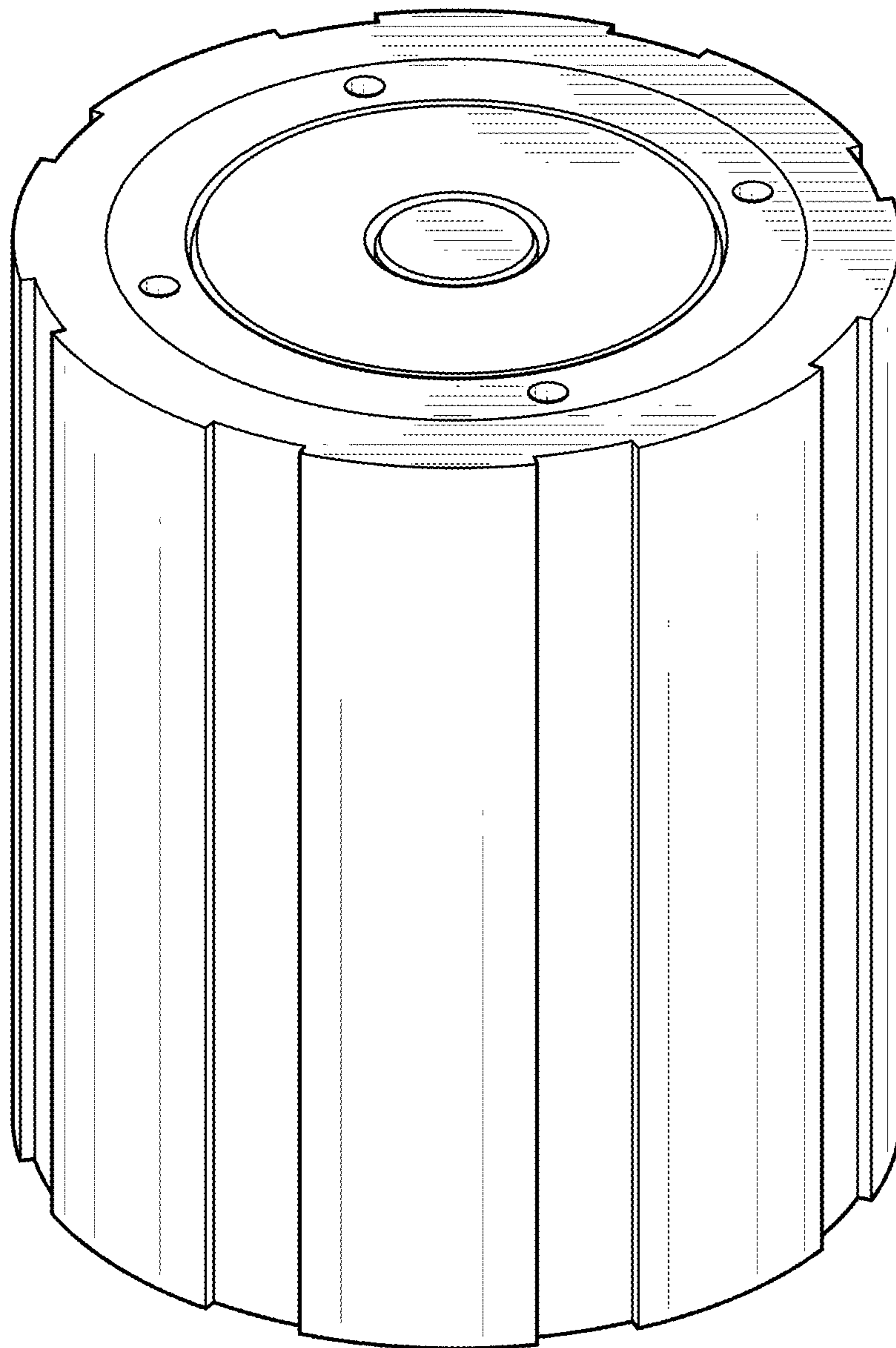


FIG. 1.1

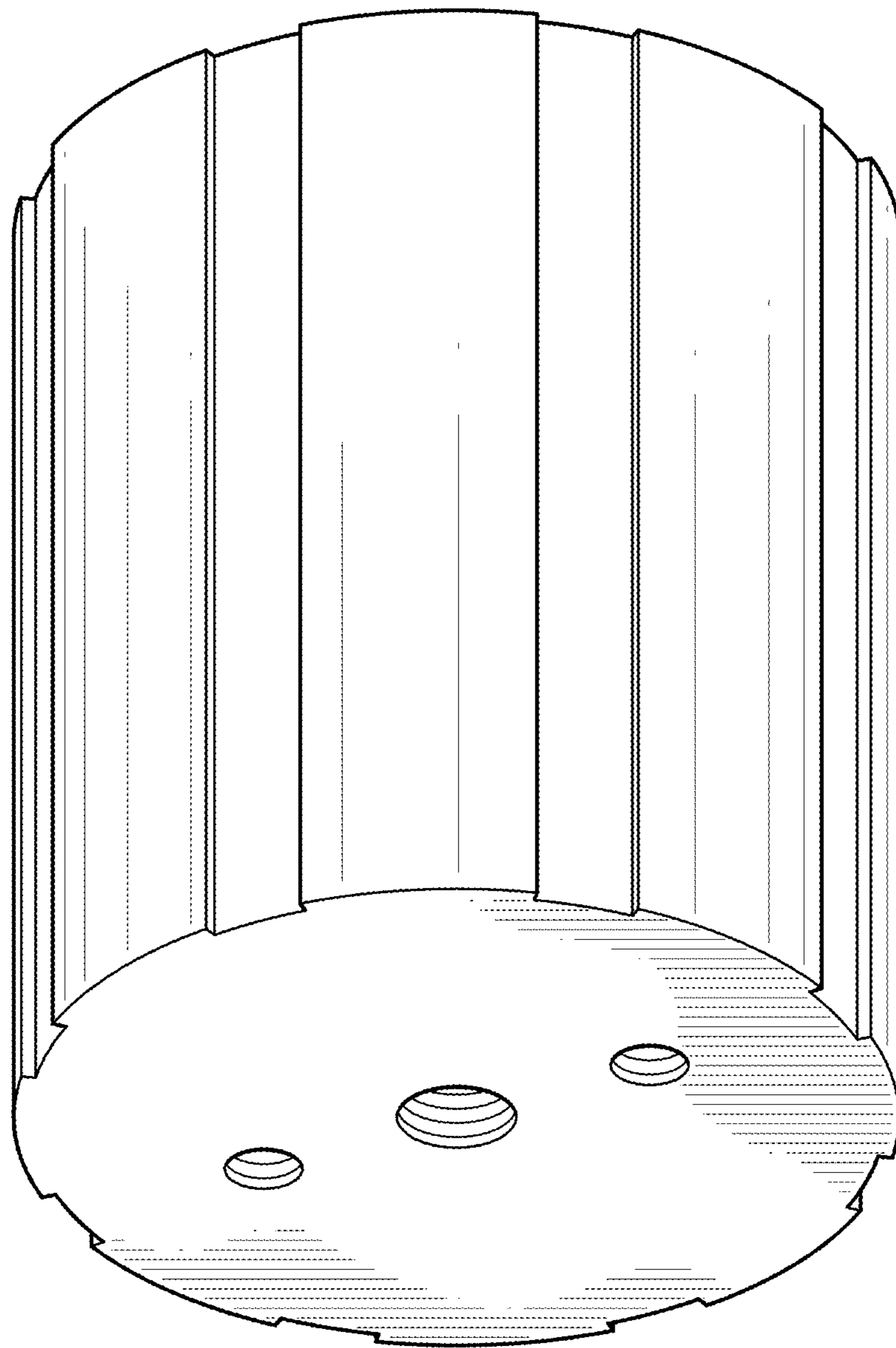


FIG. 1.2