



US00D814062S

(12) **United States Design Patent**
Singh

(10) **Patent No.:** **US D814,062 S**
(45) **Date of Patent:** **** Mar. 27, 2018**

(54) **TRIM REVEAL EXTRUSION**

(71) Applicant: **Joshua George Singh**, Calgary (CA)

(72) Inventor: **Joshua George Singh**, Calgary (CA)

(**) Term: **15 Years**

(21) Appl. No.: **29/596,116**

(22) Filed: **Mar. 6, 2017**

(51) **LOC (11) Cl.** **25-02**

(52) **U.S. Cl.**
USPC **D25/119**

(58) **Field of Classification Search**
USPC D25/48.1, 48.3, 60, 119, 164, 199;
D8/354, 373, 374, 376, 377, 380-382;
D6/702, 709, 709.2, 709.21, 719;
D26/138
CPC E04B 2/00; E04B 2/74; E04B 2/76; E04B
2/761; E04B 2/762; E04B 2/763; E04B
2/764; E04B 2/765; E04B 2/7854; E04B
2/7863; E04B 2/7872; E04B 2/7881;
E04B 2/789; E04B 2001/2436; E04B
2001/2439; E04B 2001/2442; E04B
2001/2445; E04B 2001/2448; E04B
2001/2451; E04B 2001/2454; E04B
2001/2457; E04B 2001/246; E04B
2001/2463; E06B 1/00; E06B 1/02; E06B
1/04; E06B 1/045; E06B 1/12; E06B
1/34; E06B 1/342; E06B 1/56; E06B
1/60; E06B 1/6092; E06B 1/62; E04F
13/06; E04F 13/068; E04F 19/02; E04F
19/022; E04F 19/026; E04F 19/028; E04F
19/04; E04F 19/0436; E04F 19/0481;
E04F 19/0486; E04F 19/06; E04F 19/061;
E04F 19/064; E04C 3/00; E04C 3/005;
E04C 3/02; E04C 3/04; E04C 3/12; E04C
3/20; E04C 3/28; E04C 3/30
See application file for complete search history.

(56) **References Cited**

U.S. PATENT DOCUMENTS

3,197,934	A *	8/1965	Brown	E04C 2/08 D25/125
D221,529	S *	8/1971	Kimmel	D25/119
D262,404	S *	12/1981	Bittner	D25/119
D462,601	S *	9/2002	Chaney	D25/119
D575,631	S *	8/2008	Huang	D8/354
D731,275	S *	6/2015	Hochman	D8/65
D735,023	S *	7/2015	Baldwin	D8/380
D787,092	S *	5/2017	Singh	D25/119
D789,559	S *	6/2017	Singh	D25/119
D789,560	S *	6/2017	Singh	D25/119
D790,079	S *	6/2017	Singh	D25/119
D790,733	S *	6/2017	Singh	D25/119
D791,351	S *	7/2017	Singh	D25/119
D791,354	S *	7/2017	Singh	D25/119
D794,833	S *	8/2017	Singh	D25/119

(Continued)

Primary Examiner — Cynthia Ramirez
Assistant Examiner — L. Martinez-Rivera
 (74) *Attorney, Agent, or Firm* — Tai W. Nahm; Miller
 Thomson LLP

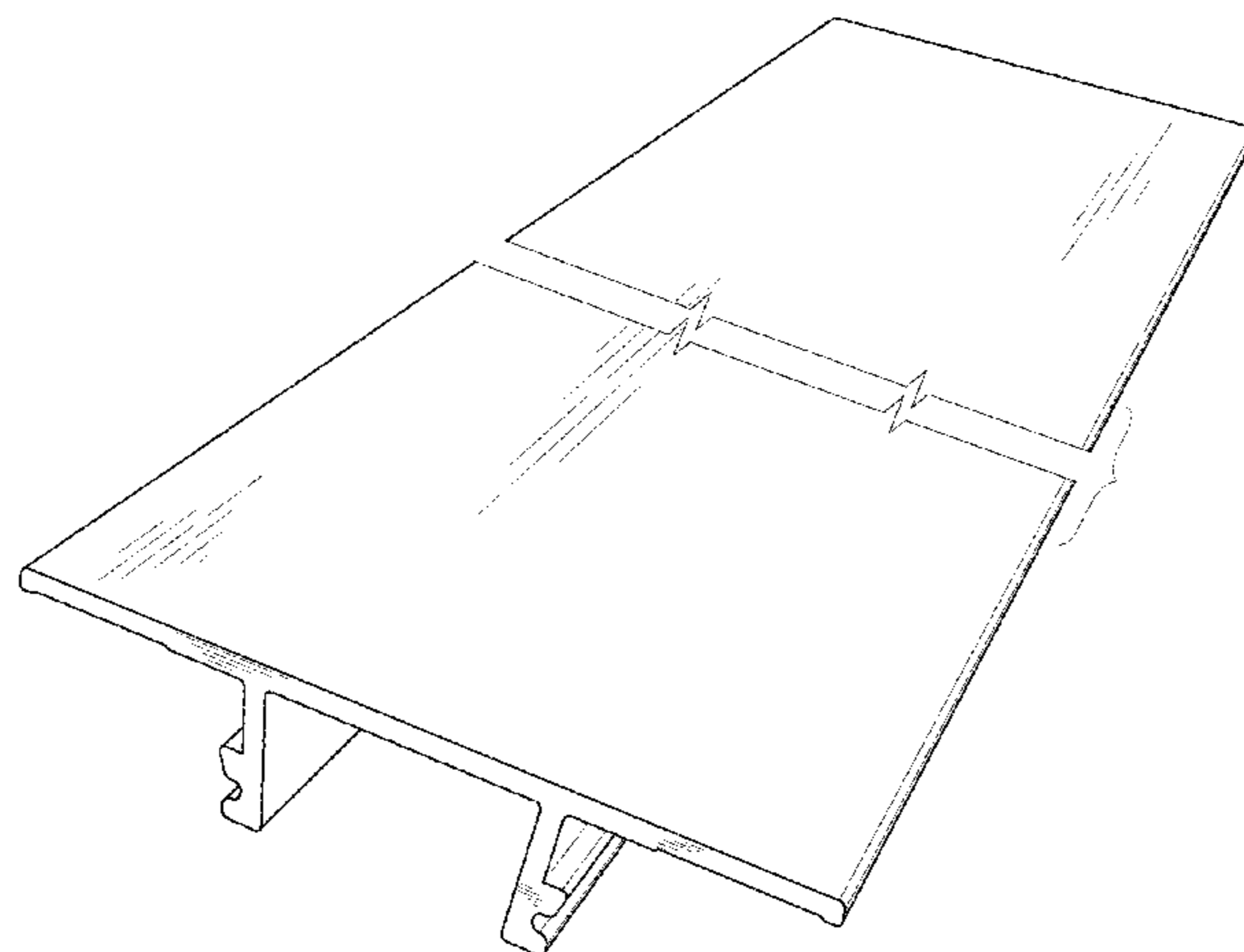
(57) **CLAIM**

The ornamental design for a trim reveal extrusion, as shown and described.

DESCRIPTION

FIG. 1 is a perspective view of a trim reveal extrusion showing my new design.
 FIG. 2 is an end elevational view thereof; and,
 FIG. 3 is an end elevational view thereof showing the trim reveal extrusion in an environment of use.
 The broken lines in FIG. 3 illustrate environmental subject matter only and form no part of the claimed design.

(Continued)



In FIG. 1, the trim reveal extrusion is shown with a symbolic break in its length. The appearance of any portion of the trim reveal extrusion between the jagged break lines form no part of the claimed design.

1 Claim, 1 Drawing Sheet

(56)

References Cited

U.S. PATENT DOCUMENTS

2014/0208674	A1 *	7/2014	Rutherford	E04B 2/00
					52/302.1
2015/0027074	A1 *	1/2015	Preston	E04F 13/06
					52/302.1

* cited by examiner

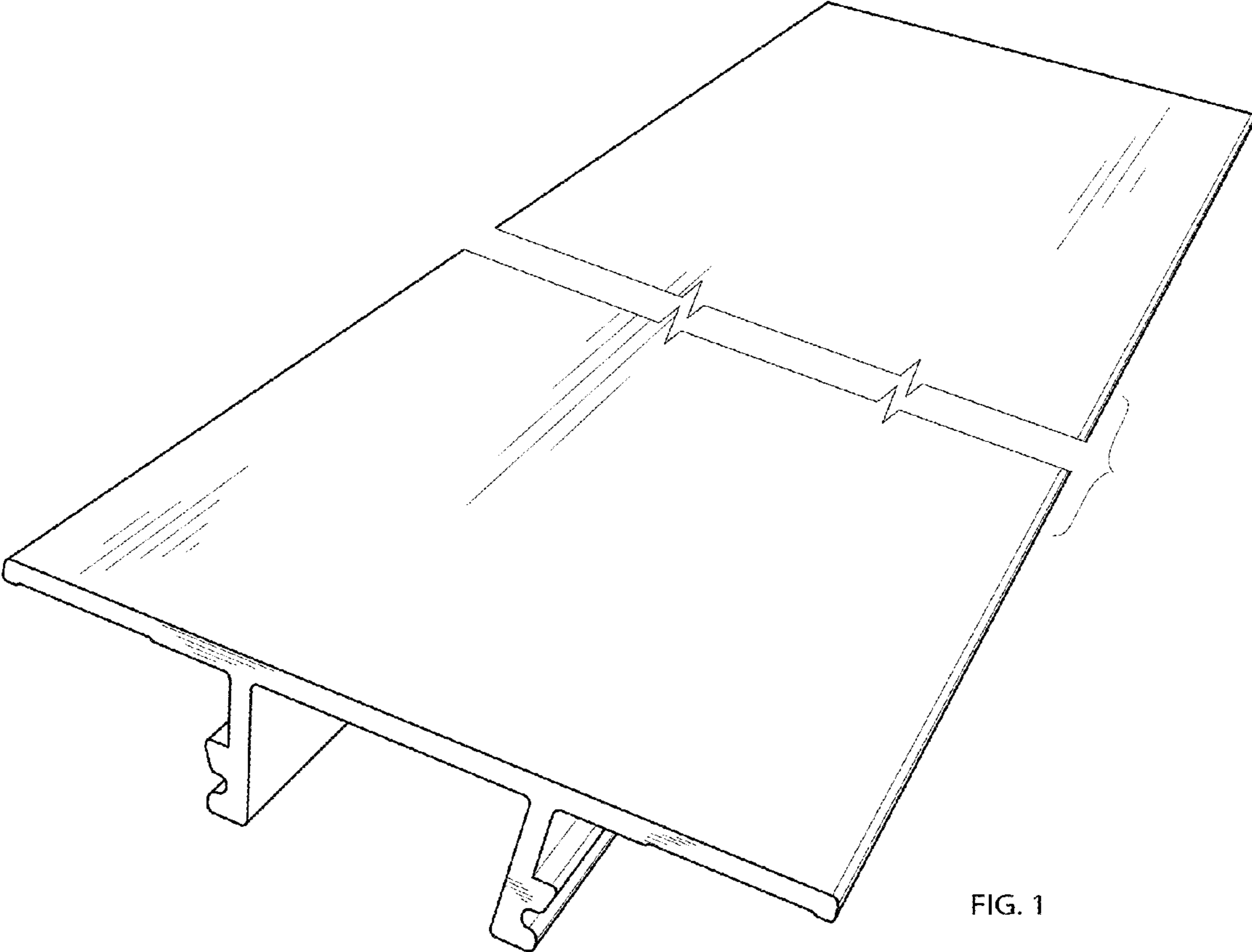


FIG. 1

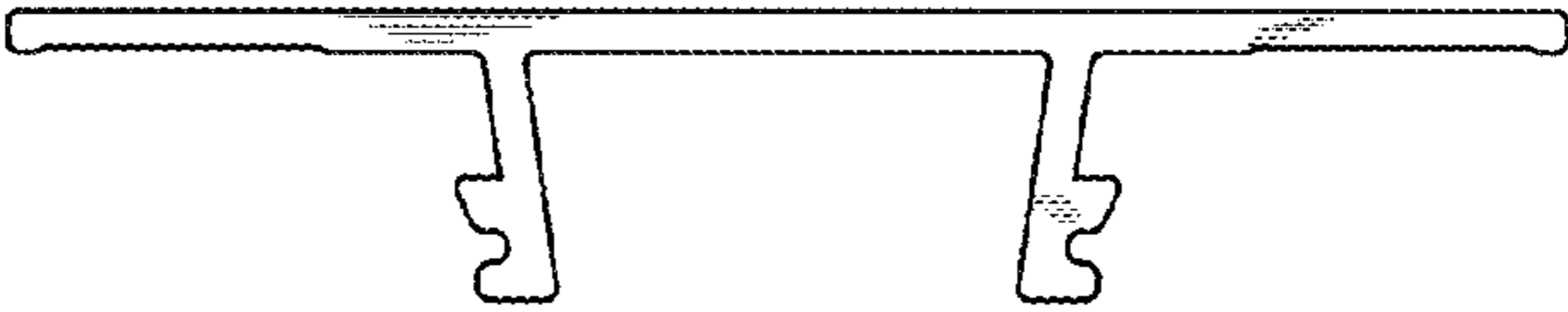


FIG. 2

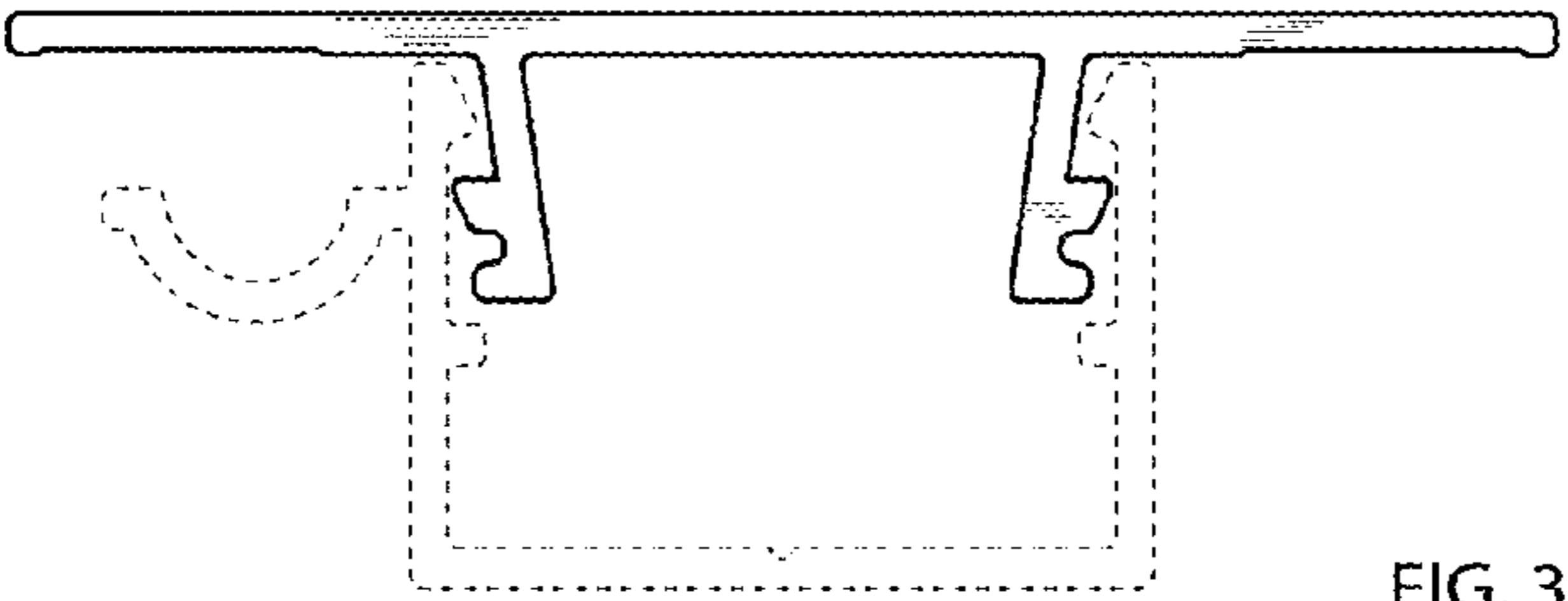


FIG. 3