



US00D814061S

(12) **United States Design Patent** (10) **Patent No.:** **US D814,061 S**
Singh (45) **Date of Patent:** **** Mar. 27, 2018**

(54) **TRIM REVEAL EXTRUSION**

1/34; E06B 1/342; E06B 1/56; E06B 1/60; E06B 1/6092; E06B 1/62

(71) Applicant: **Joshua George Singh**, Calgary (CA)

See application file for complete search history.

(72) Inventor: **Joshua George Singh**, Calgary (CA)

(56) **References Cited**

(**) Term: **15 Years**

U.S. PATENT DOCUMENTS

(21) Appl. No.: **29/596,113**

(22) Filed: **Mar. 6, 2017**

(51) **LOC (11) Cl.** **25-02**

(52) **U.S. Cl.**

USPC **D25/119**

(58) **Field of Classification Search**

USPC D25/48.1, 48.3, 60, 119, 164, 199;
D8/354, 373, 374, 376, 377, 380-382;
D6/702, 709, 709.2, 709.21, 719;
D26/138

CPC ... E04C 3/00; E04C 3/005; E04C 3/02; E04C 3/04; E04C 3/12; E04C 3/20; E04C 3/28; E04C 3/30; E04F 19/02; E04F 19/022; E04F 19/026; E04F 19/028; E04F 19/04; E04F 19/0436; E04F 19/0481; E04F 19/0486; E04F 19/06; E04F 19/061; E04F 19/064; E04F 13/06; E04F 13/068; E04B 2/00; E04B 2/74; E04B 2/76; E04B 2/761; E04B 2/762; E04B 2/763; E04B 2/764; E04B 2/765; E04B 2/7854; E04B 2/7863; E04B 2/7872; E04B 2/7881; E04B 2/789; E04B 2001/2436; E04B 2001/2439; E04B 2001/2442; E04B 2001/2445; E04B 2001/2448; E04B 2001/2451; E04B 2001/2454; E04B 2001/2457; E04B 2001/246; E04B 2001/2463; E06B 1/00; E06B 1/02; E06B 1/04; E06B 1/045; E06B 1/12; E06B

3,197,934	A	*	8/1965	Brown	E04C 2/08
						D25/125
D221,529	S	*	8/1971	Kimmel	D25/119
D262,404	S	*	12/1981	Bittner	D25/119
D462,601	S	*	9/2002	Chaney	D25/119
D575,631	S	*	8/2008	Huang	D8/354
D731,275	S	*	6/2015	Hochman	D8/65
D735,023	S	*	7/2015	Baldwin	D8/380
D787,092	S	*	5/2017	Singh	D25/119
D789,559	S	*	6/2017	Singh	D25/119
D789,560	S	*	6/2017	Singh	D25/119
D790,079	S	*	6/2017	Singh	D25/119
D790,733	S	*	6/2017	Singh	D25/119
D791,351	S	*	7/2017	Singh	D25/119
D791,354	S	*	7/2017	Singh	D25/119
D794,833	S	*	8/2017	Singh	D25/119

(Continued)

Primary Examiner — Cynthia Ramierz
Assistant Examiner — L. Martinez-Rivera
(74) *Attorney, Agent, or Firm* — Tai W. Nahm; Miller Thomson LLP

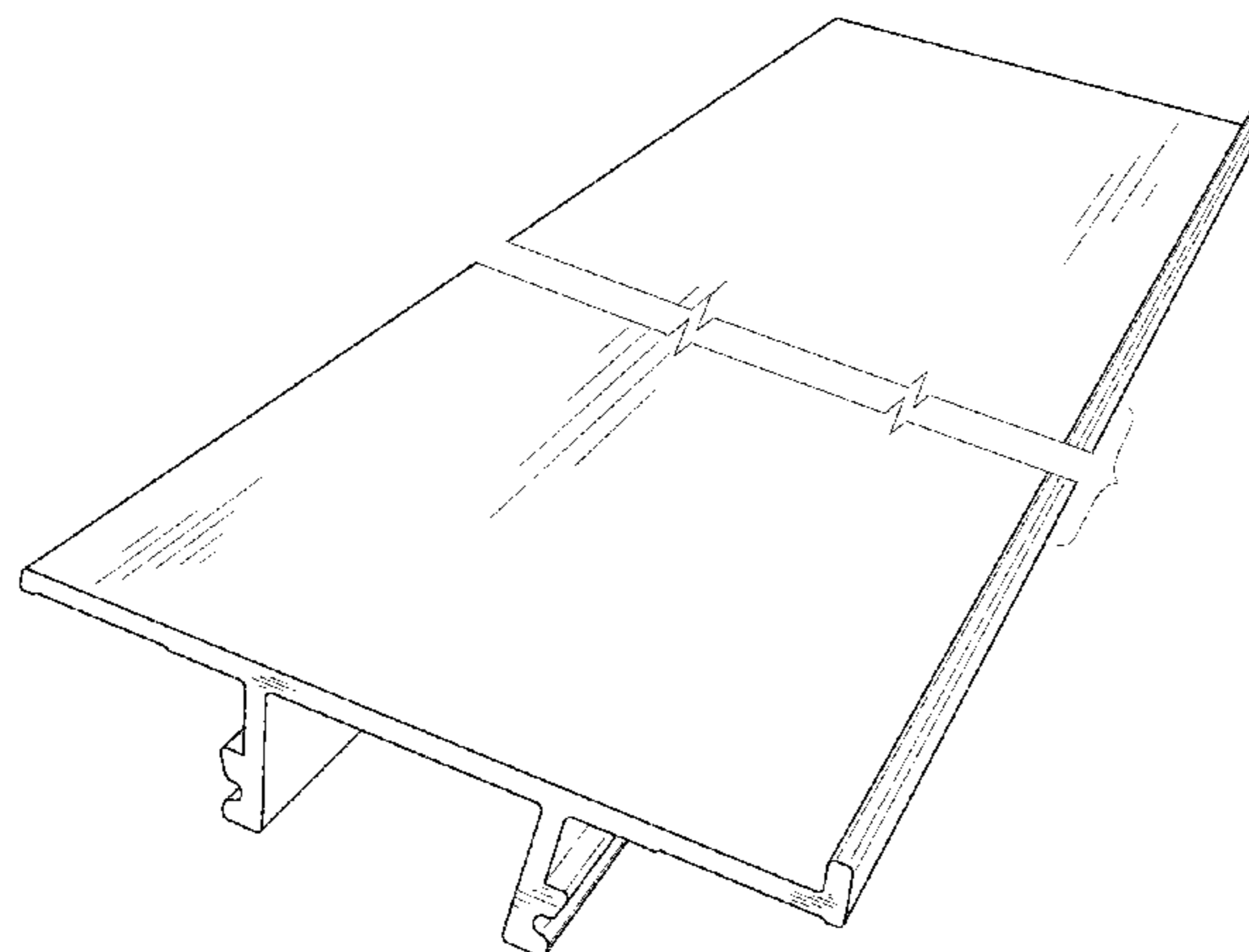
(57) **CLAIM**

The ornamental design for a trim reveal extrusion, as shown and described.

DESCRIPTION

FIG. 1 is a perspective view of a trim reveal extrusion showing my new design.
FIG. 2 is an end elevational view thereof; and,
FIG. 3 is an end elevational view thereof showing the trim reveal extrusion in an environment of use.
The broken lines in FIG. 3 illustrate environmental subject matter only and form no part of the claimed design.

(Continued)



In FIG. 1, the trim reveal extrusion is shown with a symbolic break in its length. The appearance of any portion of the trim reveal extrusion between the jagged break lines form no part of the claimed design.

1 Claim, 1 Drawing Sheet

(56)

References Cited

U.S. PATENT DOCUMENTS

2014/0208674	A1 *	7/2014	Rutherford	E04B 2/00
					52/302.1
2015/0027074	A1 *	1/2015	Preston	E04F 13/06
					52/302.1

* cited by examiner

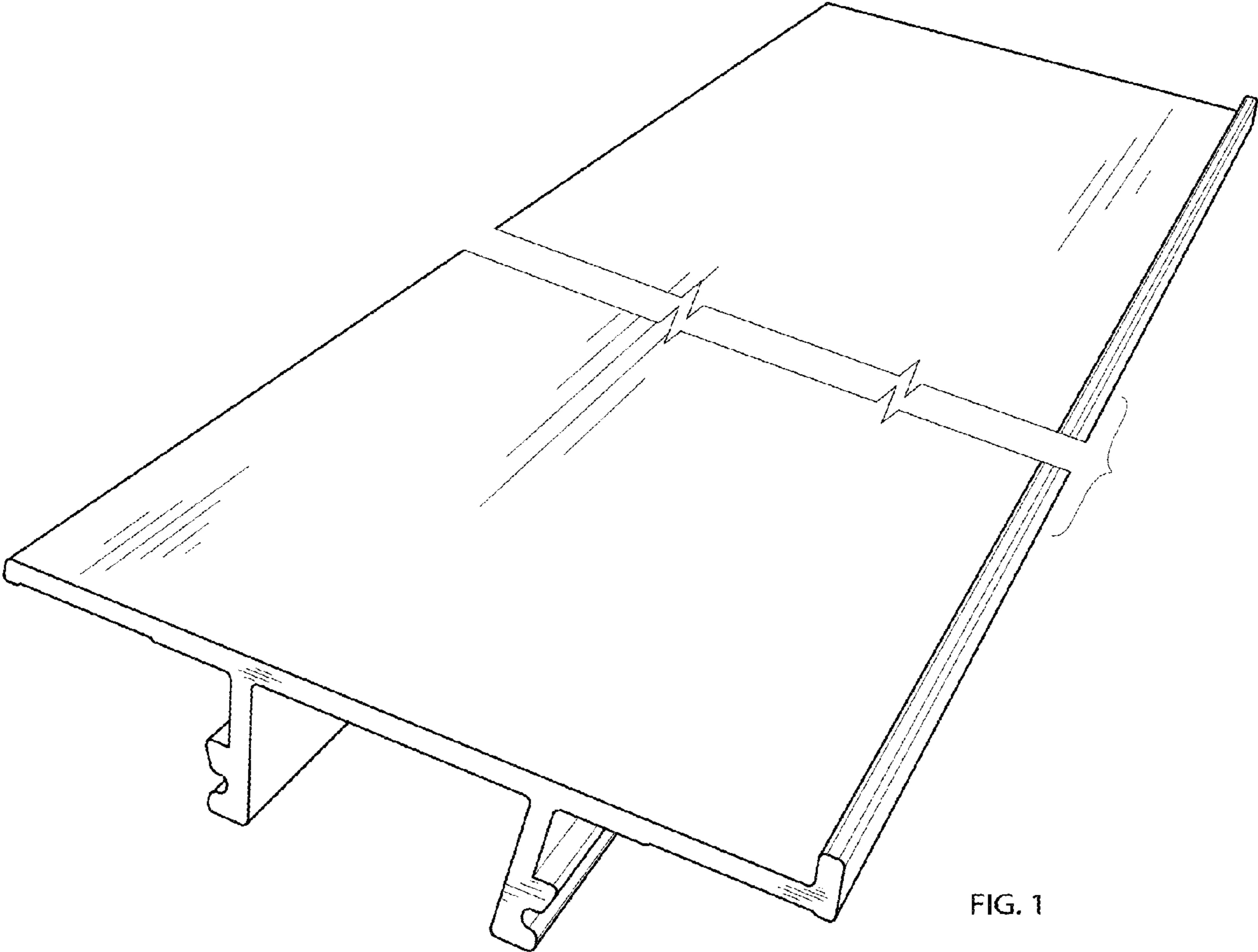


FIG. 1

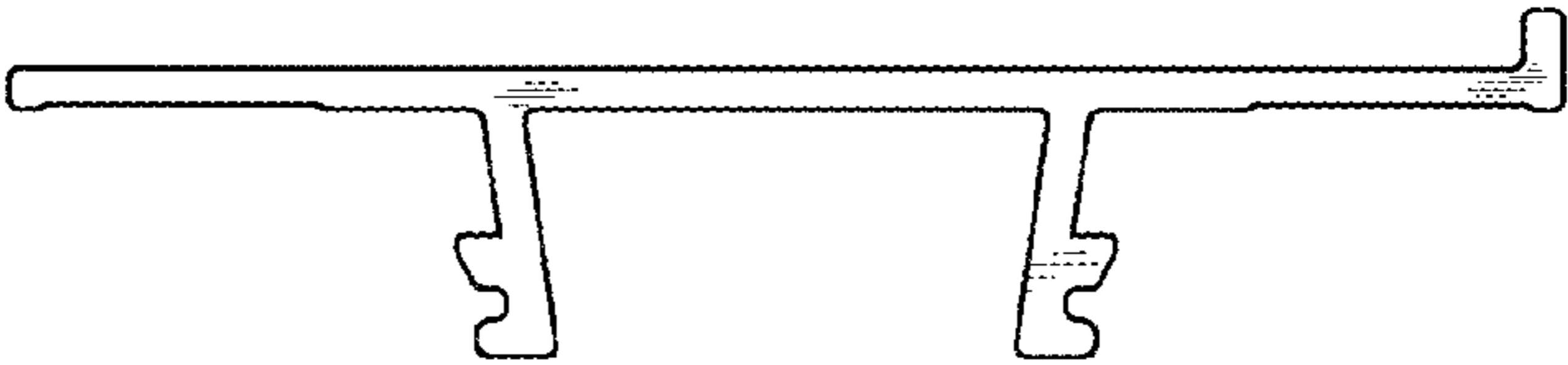


FIG. 2

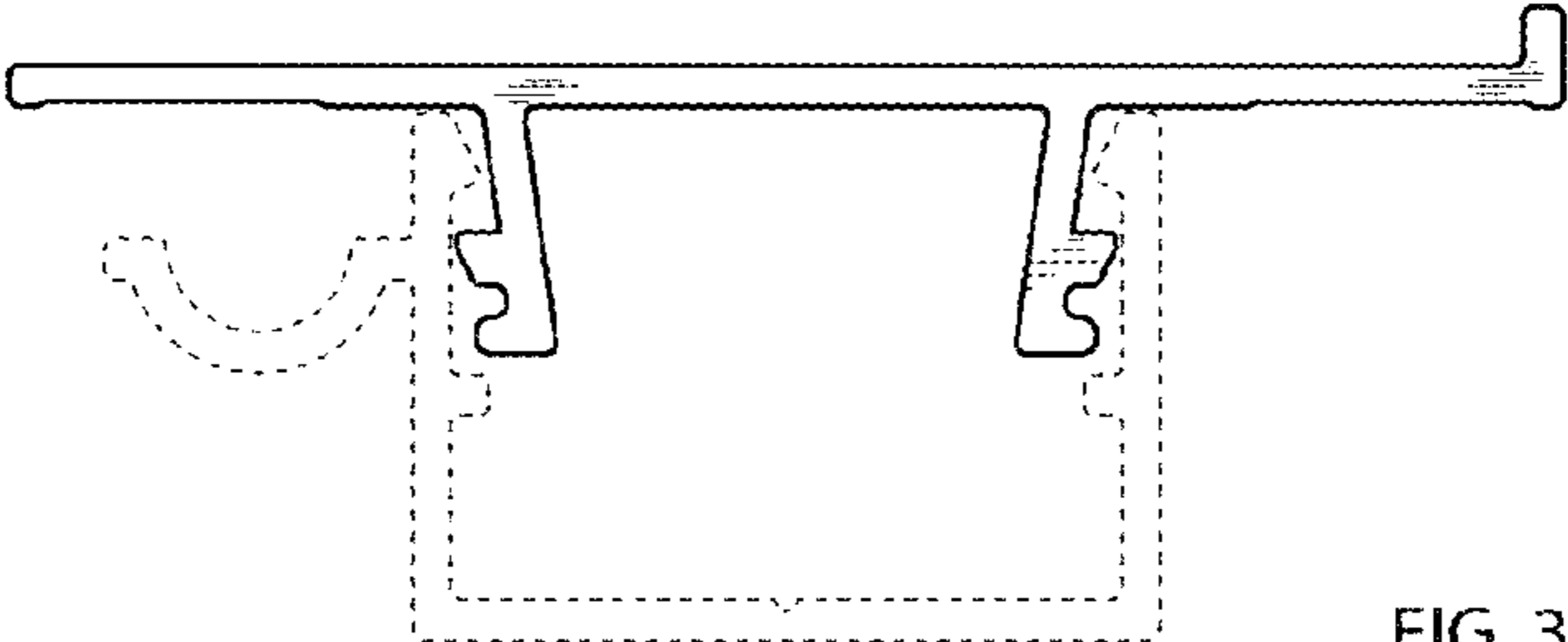


FIG. 3