



US00D814060S

(12) **United States Design Patent** (10) **Patent No.:** **US D814,060 S**  
**Singh** (45) **Date of Patent:** **\*\* Mar. 27, 2018**

(54) **TRIM REVEAL EXTRUSION**

1/34; E06B 1/342; E06B 1/56; E06B 1/60; E06B 1/6092; E06B 1/62

(71) Applicant: **Joshua George Singh**, Calgary (CA)

See application file for complete search history.

(72) Inventor: **Joshua George Singh**, Calgary (CA)

(56) **References Cited**

(\*\*) Term: **15 Years**

U.S. PATENT DOCUMENTS

(21) Appl. No.: **29/595,786**

D110,751 S *	8/1938	Lowry	D25/123
D115,703 S *	7/1939	Bronstien	D25/123
D175,481 S *	8/1955	Slaysky	D25/121
3,712,005 A *	1/1973	Eschbach	E04B 2/78
			D25/124
D237,271 S *	10/1975	Edwards	D25/122
4,129,971 A *	12/1978	Reusser	E04D 13/15
			52/288.1
D283,295 S *	4/1986	Bancroft	D25/119
D325,178 S *	4/1992	Corneal	D25/122
5,737,887 A *	4/1998	Smeenge	E04B 2/7425
			52/282.2
D408,087 S *	4/1999	Hart	D25/122
D421,133 S *	2/2000	Mandell	D25/61

(22) Filed: **Mar. 2, 2017**

(51) **LOC (11) Cl.** ..... **25-02**

(52) **U.S. Cl.**

USPC ..... **D25/119**

(58) **Field of Classification Search**

USPC ..... D25/48.1, 48.3, 60, 119, 164, 199;  
D8/354, 373, 374, 376, 377, 380-382;  
D6/702, 709, 709.2, 709.21, 719;  
D26/138

CPC ... E04C 3/00; E04C 3/005; E04C 3/02; E04C 3/04; E04C 3/12; E04C 3/20; E04C 3/28; E04C 3/30; E04F 19/02; E04F 19/022; E04F 19/026; E04F 19/028; E04F 19/04; E04F 19/0436; E04F 19/0481; E04F 19/0486; E04F 19/06; E04F 19/061; E04F 19/064; E04F 13/06; E04F 13/068; E04B 2/00; E04B 2/74; E04B 2/76; E04B 2/761; E04B 2/762; E04B 2/763; E04B 2/764; E04B 2/765; E04B 2/7854; E04B 2/7863; E04B 2/7872; E04B 2/7881; E04B 2/789; E04B 2001/2436; E04B 2001/2439; E04B 2001/2442; E04B 2001/2445; E04B 2001/2448; E04B 2001/2451; E04B 2001/2454; E04B 2001/2457; E04B 2001/246; E04B 2001/2463; E06B 1/00; E06B 1/02; E06B 1/04; E06B 1/045; E06B 1/12; E06B

(Continued)

*Primary Examiner* — Cynthia Ramirez

*Assistant Examiner* — L. Martinez-Rivera

(74) *Attorney, Agent, or Firm* — Tai W. Nahm; Miller Thomson LLP

(57) **CLAIM**

The ornamental design for a trim reveal extrusion, as shown and described.

**DESCRIPTION**

FIG. 1 is a first perspective view of a trim reveal extrusion showing my new design.

FIG. 2 is a second perspective view of the trim reveal extrusion showing my new design.

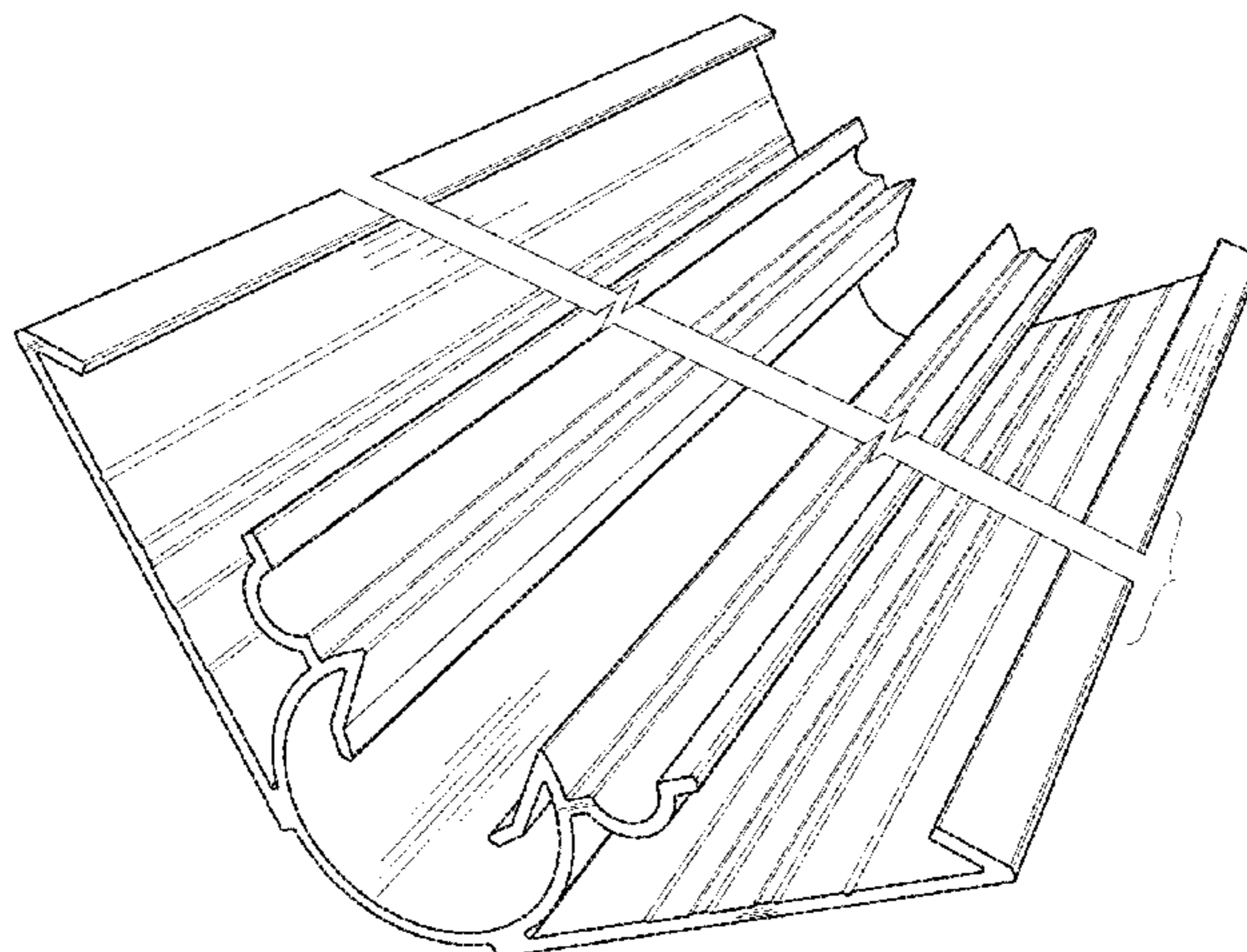
FIG. 3 is an end elevational view thereof; and,

FIG. 4 is an end elevational view thereof showing the trim reveal extrusion in an environment of use.

The broken lines in FIG. 4 illustrate environmental subject matter only and form no part of the claimed design.

In FIG. 1 and FIG. 2, the trim reveal extrusion is shown with a symbolic break in its length. The appearance of any portion

(Continued)



of the trim reveal extrusion between the jagged break lines form no part of the claimed design.

**1 Claim, 2 Drawing Sheets**

(56)

**References Cited**

U.S. PATENT DOCUMENTS

6,341,458 B1 *	1/2002	Burt .....	E04F 19/061
			D25/119
D491,677 S *	6/2004	Barnett .....	D25/119
D494,283 S *	8/2004	Barnett .....	D25/119

\* cited by examiner

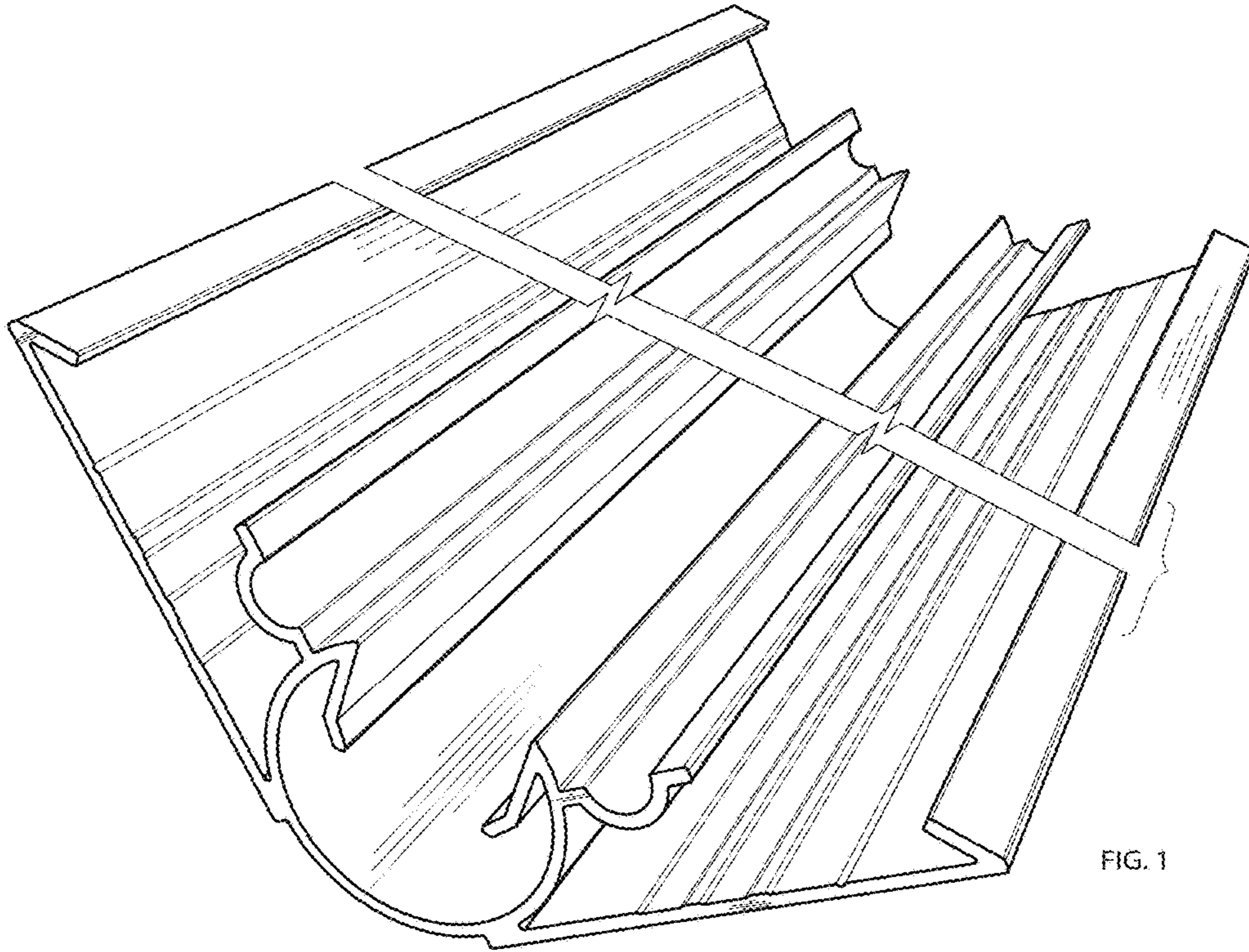


FIG. 1

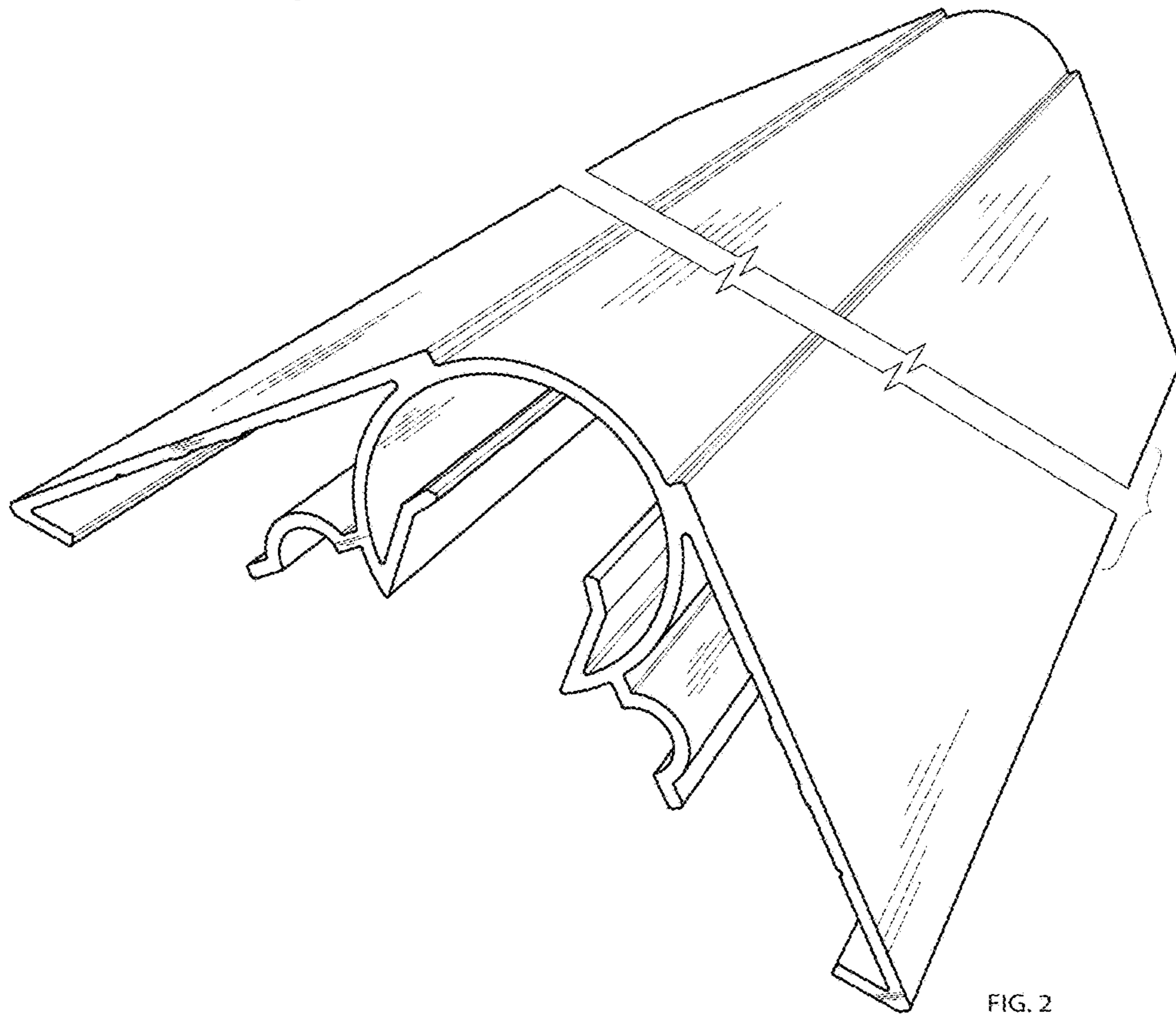


FIG. 2



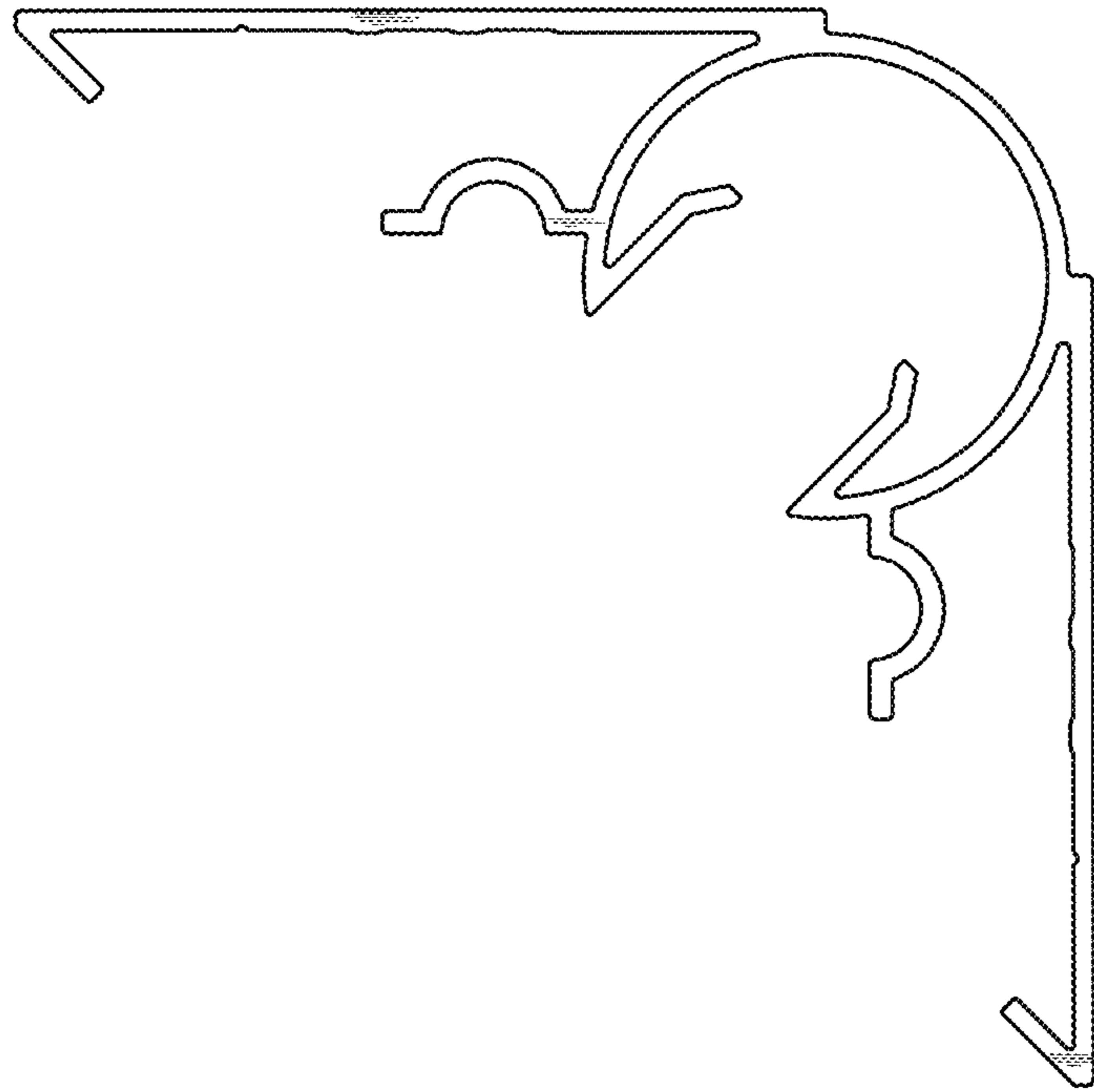


FIG. 3

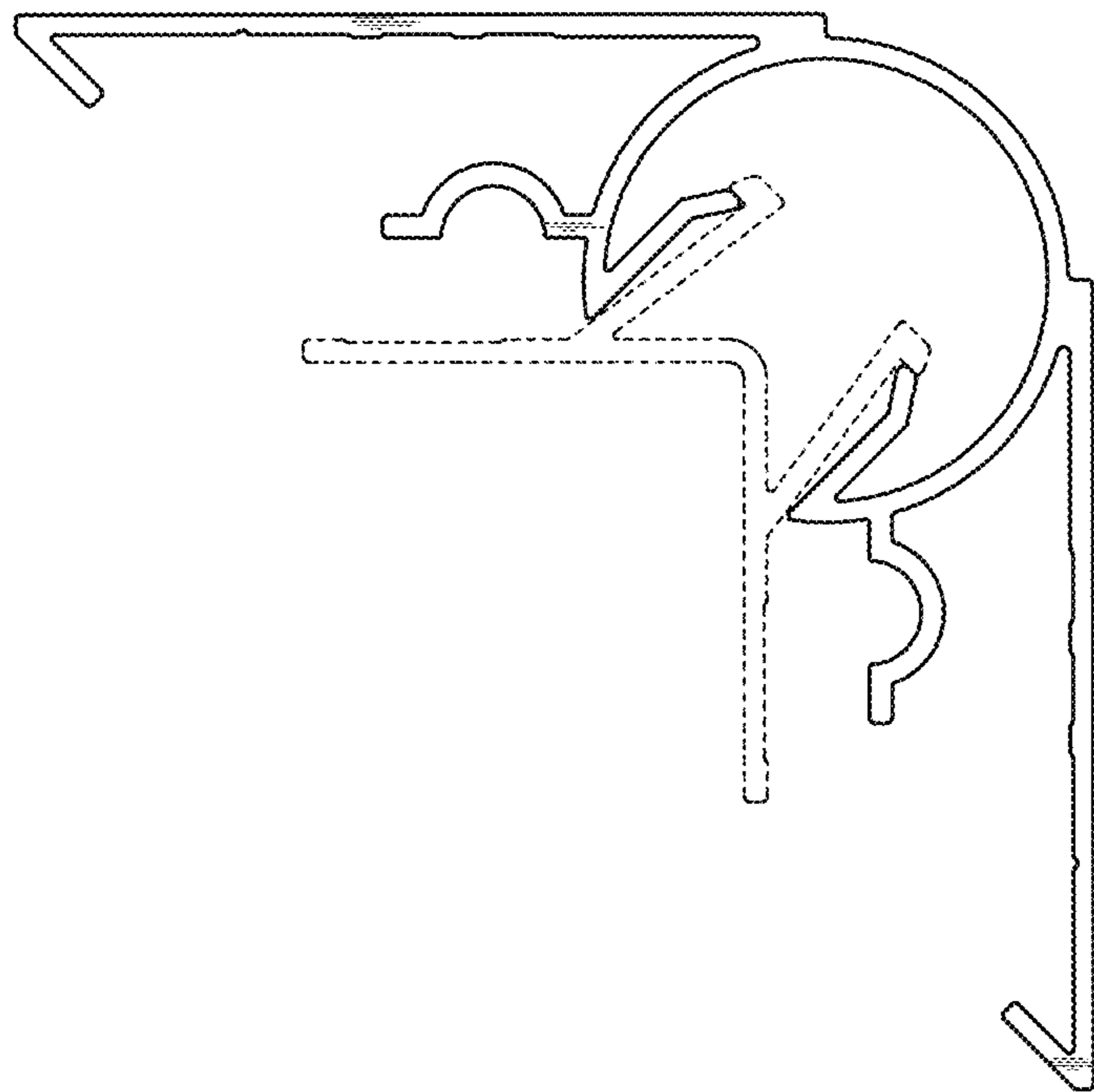


FIG. 4