



US00D814059S

(12) **United States Design Patent** (10) **Patent No.:** **US D814,059 S**
Singh (45) **Date of Patent:** **** Mar. 27, 2018**

(54) **TRIM REVEAL EXTRUSION**
(71) Applicant: **Joshua George Singh**, Calgary (CA)
(72) Inventor: **Joshua George Singh**, Calgary (CA)
(**) Term: **15 Years**
(21) Appl. No.: **29/595,782**
(22) Filed: **Mar. 2, 2017**
(51) **LOC (11) Cl.** **25-02**
(52) **U.S. Cl.**
USPC **D25/119**
(58) **Field of Classification Search**
USPC D25/48.1, 48.3, 60, 119, 164, 199;
D8/354, 373, 374, 376, 377, 380-382;
D6/702, 709, 709.2, 709.21, 719;
D26/138
CPC ... E04C 3/00; E04C 3/005; E04C 3/02; E04C
3/04; E04C 3/12; E04C 3/20; E04C 3/28;
E04C 3/30; E04F 19/02; E04F 19/022;
E04F 19/026; E04F 19/028; E04F 19/04;
E04F 19/0436; E04F 19/0481; E04F
19/0486; E04F 19/06; E04F 19/061; E04F
19/064; E04F 13/06; E04F 13/068; E04B
2/00; E04B 2/74; E04B 2/76; E04B
2/761; E04B 2/762; E04B 2/763; E04B
2/764; E04B 2/765; E04B 2/7854; E04B
2/7863; E04B 2/7872; E04B 2/7881;
E04B 2/789; E04B 2001/2436; E04B
2001/2439; E04B 2001/2442; E04B
2001/2445; E04B 2001/2448; E04B
2001/2451; E04B 2001/2454; E04B
2001/2457; E04B 2001/246; E04B
2001/2463; E06B 1/00; E06B 1/02; E06B
1/04; E06B 1/045; E06B 1/12; E06B
1/34; E06B 1/342; E06B 1/56; E06B
1/60; E06B 1/6092; E06B 1/62
See application file for complete search history.

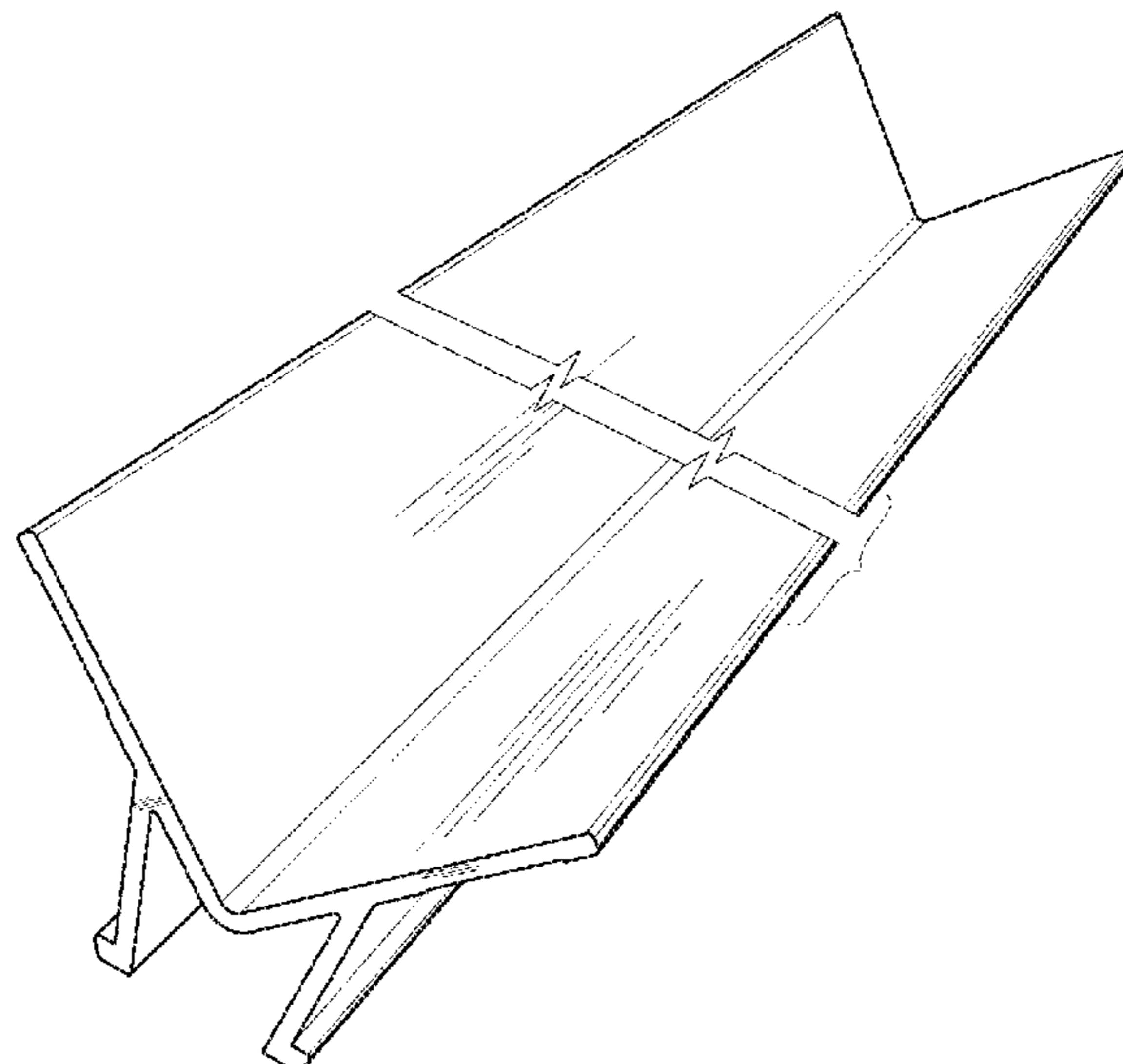
(56) **References Cited**
U.S. PATENT DOCUMENTS
D110,751 S * 8/1938 Lowry D25/123
D115,703 S * 7/1939 Bronstein D25/123
D175,481 S * 8/1955 Slaysky D25/121
3,712,005 A * 1/1973 Eschbach E04B 2/78
D25/124
D237,271 S * 10/1975 Lindell D25/122
4,129,971 A * 12/1978 Reusser E04D 13/15
52/288.1
D283,295 S * 4/1986 Bancroft D25/119
D325,178 S * 4/1992 Corneal D25/122
5,737,887 A * 4/1998 Smeenge E04B 2/7425
160/135
D408,087 S * 4/1999 Hart D25/122
D421,133 S * 2/2000 Mandell D25/61
(Continued)

Primary Examiner — Cynthia Ramirez
Assistant Examiner — L. Martinez-Rivera
(74) *Attorney, Agent, or Firm* — Tai W. Nahm; Miller
Thomson LLP

(57) **CLAIM**
The ornamental design for a trim reveal extrusion, as shown
and described.

DESCRIPTION
FIG. 1 is a first perspective view of a trim reveal extrusion
showing my new design.
FIG. 2 is a second perspective view of the trim reveal
extrusion showing my new design.
FIG. 3 is an end elevational view thereof; and,
FIG. 4 is an end elevational view thereof showing the trim
reveal extrusion in an environment of use.
In FIG. 1 and FIG. 2, the trim reveal extrusion is shown with
a symbolic break in its length. The appearance of any portion
of the trim reveal extrusion between the jagged break lines
form no part of the claimed design.
The broken lines in FIG. 4 illustrate environmental subject
matter only and form no part of the claimed design.

1 Claim, 2 Drawing Sheets



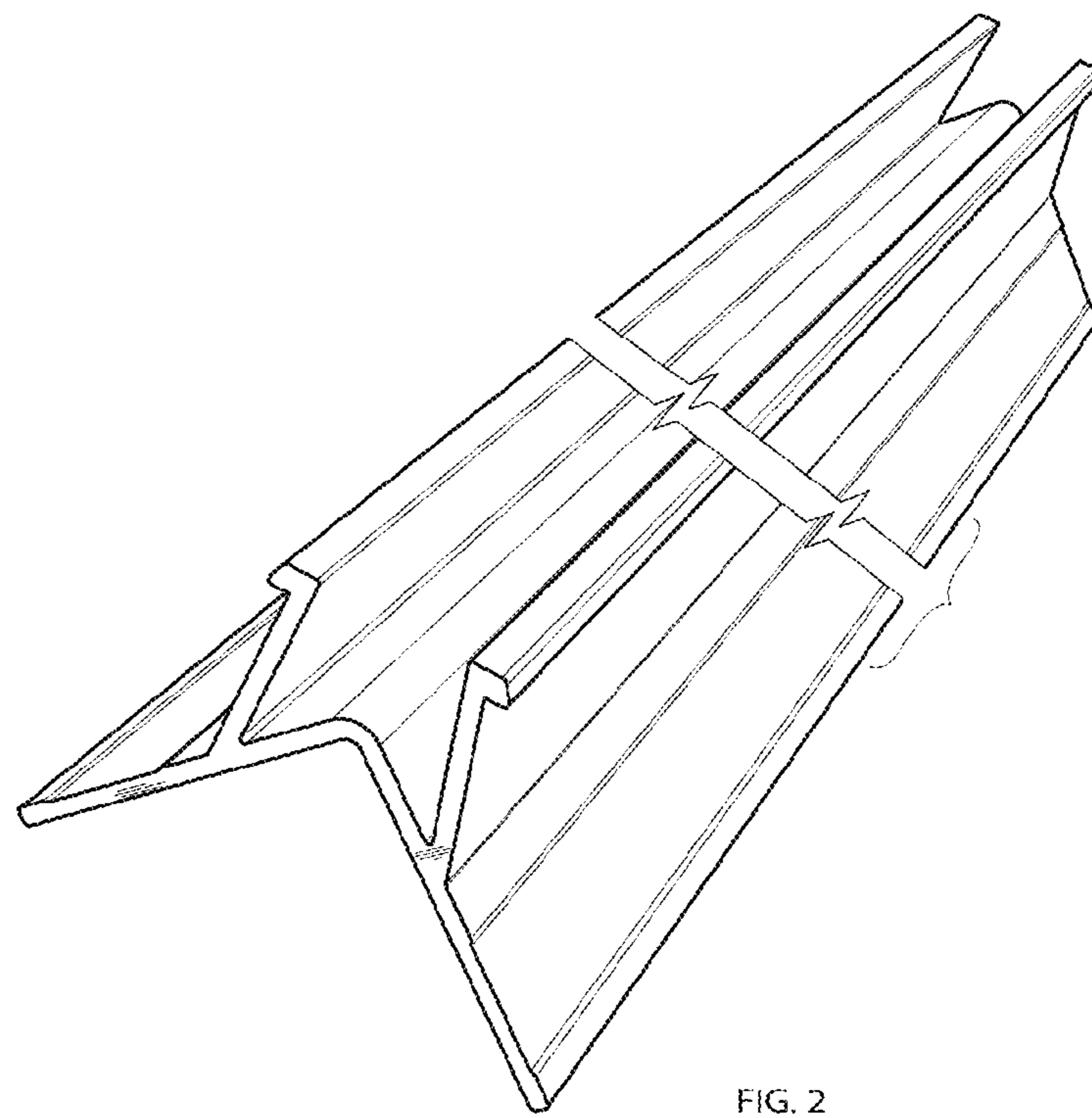
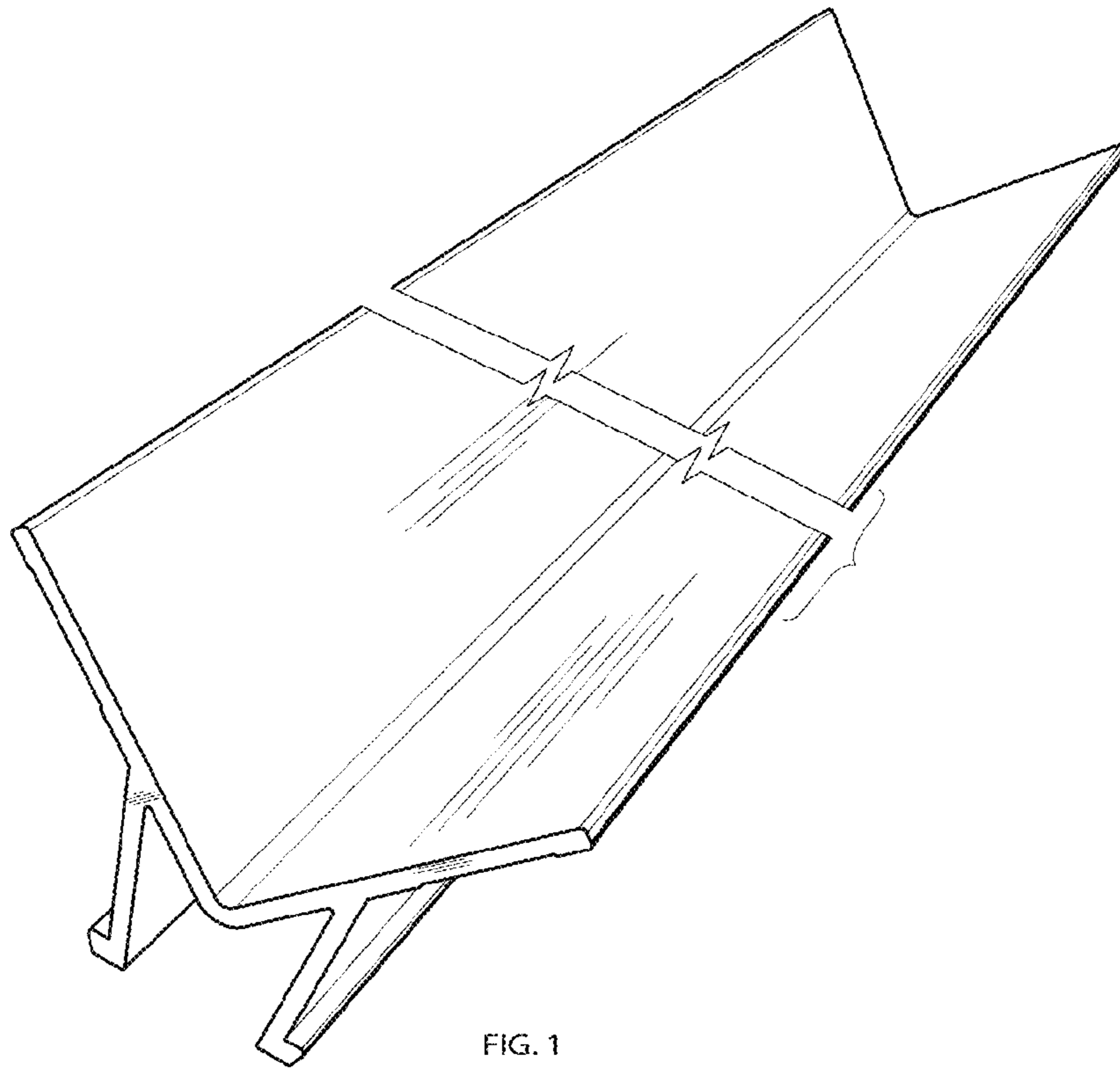
(56)

References Cited

U.S. PATENT DOCUMENTS

6,341,458 B1 *	1/2002	Burt	E04F 19/061 D25/119
D491,677 S *	6/2004	Barnett	D25/119
D494,283 S *	8/2004	Barnett	D25/119
2011/0094174 A1 *	4/2011	Meahl	E04F 19/04 52/288.1

* cited by examiner



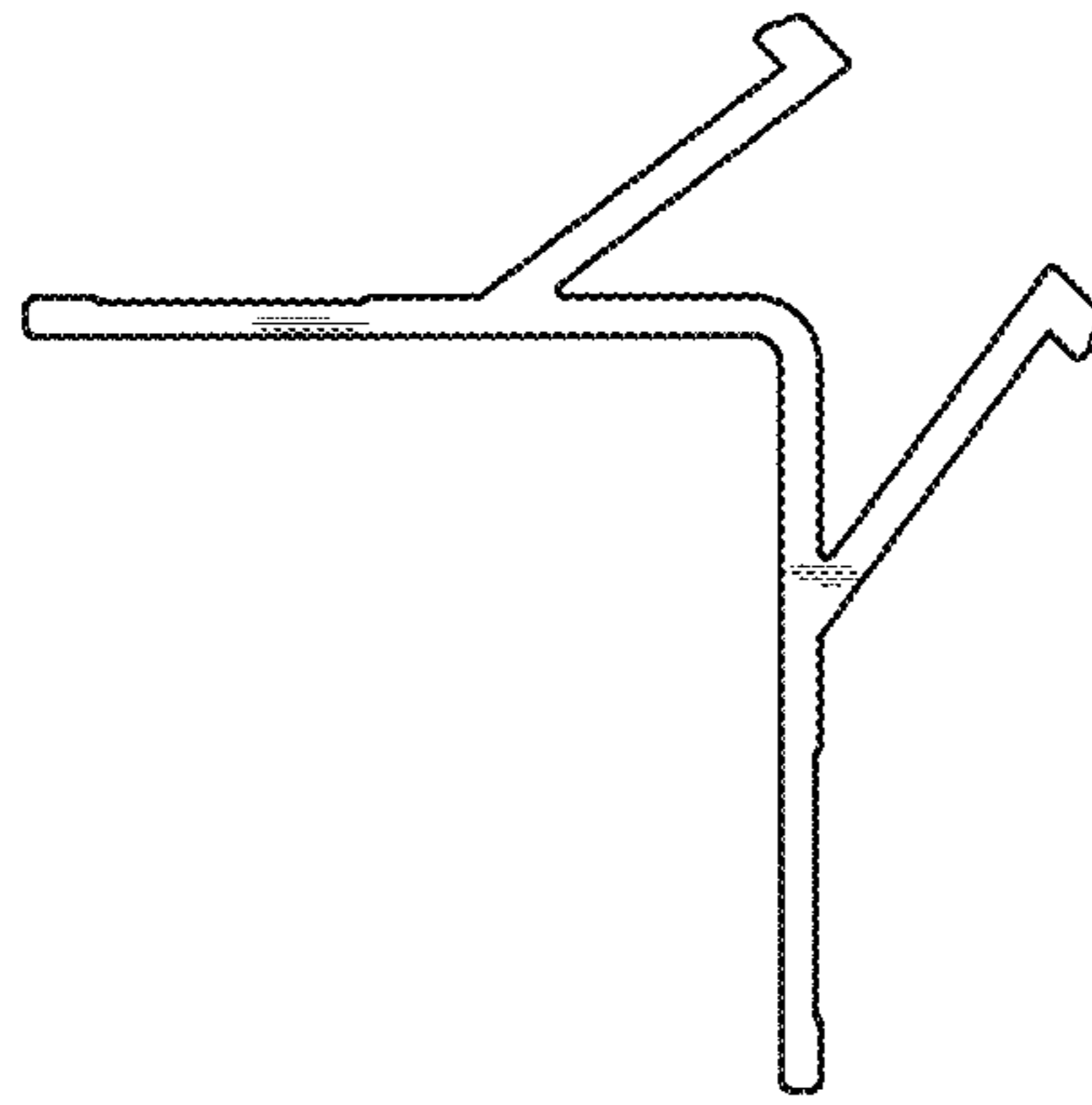


FIG. 3

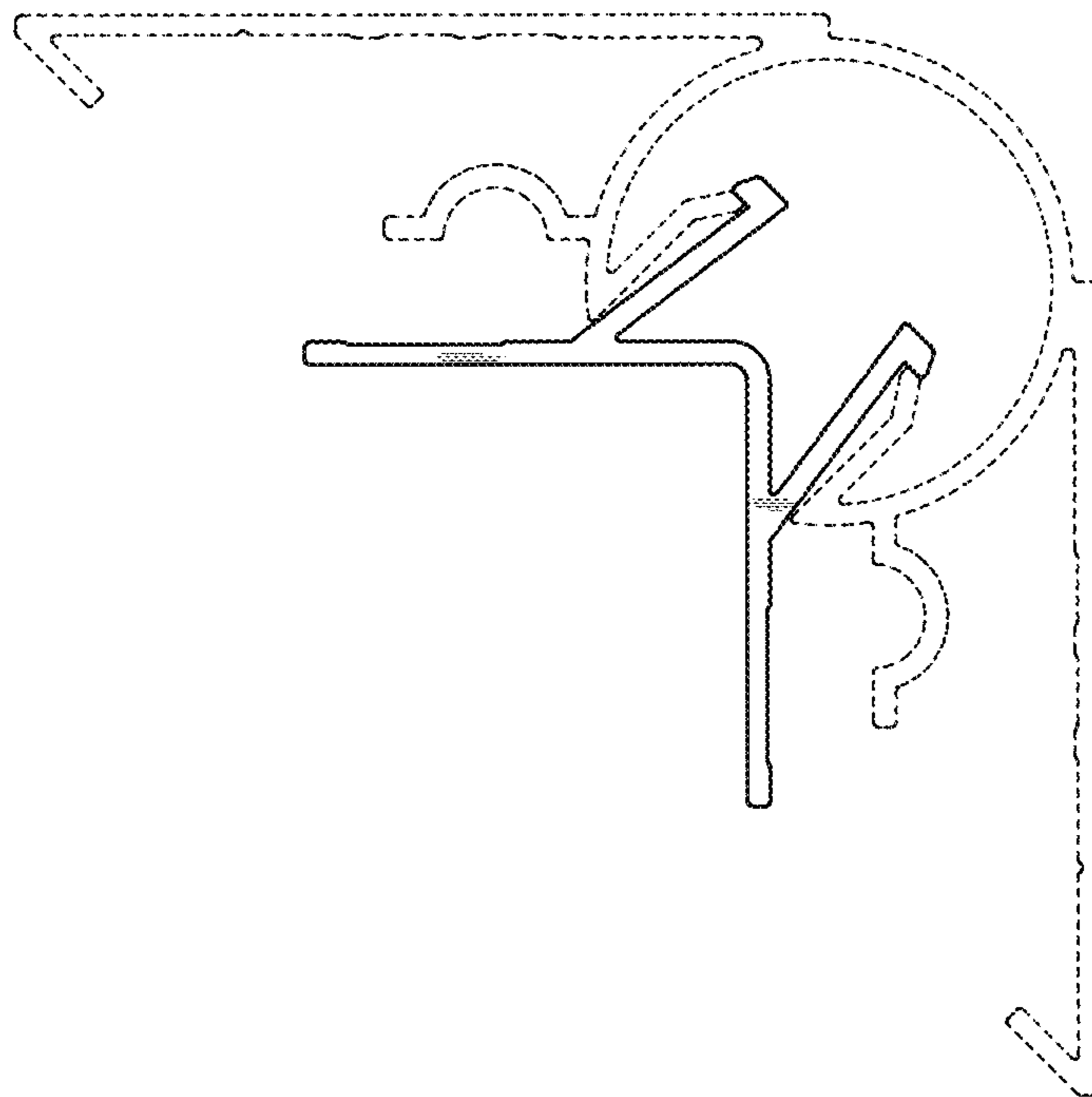


FIG. 4