



US00D814056S

(12) **United States Design Patent**  
**Singh**

(10) **Patent No.:** **US D814,056 S**  
(45) **Date of Patent:** **\*\* Mar. 27, 2018**

(54) **TRIM REVEAL EXTRUSION**  
(71) Applicant: **Joshua George Singh**, Calgary (CA)  
(72) Inventor: **Joshua George Singh**, Calgary (CA)  
(\*\*) Term: **15 Years**  
(21) Appl. No.: **29/549,904**  
(22) Filed: **Dec. 29, 2015**  
(51) **LOC (11) Cl.** ..... **25-02**  
(52) **U.S. Cl.**  
USPC ..... **D25/119**  
(58) **Field of Classification Search**  
USPC ..... D25/35, 47.1, 48.1, 48.2, 48.3, 48.4,  
D25/48.7, 48.8, 55, 56, 58-61, 119-132,  
D25/138, 139, 164; 52/58, 68, 96, 97,  
52/204.5, 204.53, 208, 209, 255, 254,  
52/287.1, 293.3, 302.6, 443, 444, 716.1,  
52/716.2, 716.6-716.8, 717.01, 717.03;  
D23/167, 267, 386  
CPC ..... E04F 19/00; E04F 19/02; E04F 19/022;  
E04F 19/026; E04F 19/04; E04F 19/06;  
E04F 19/061; E04F 13/06; E04F 13/061;  
E04F 13/063; E04F 13/065; E04F 13/066;  
E04F 13/068; E04F 2019/0404; E04F  
2019/0413; E04F 2019/0422; E04F  
2019/0454; E04C 2003/0482; E04C 3/02;  
E04C 3/04; E04C 3/12; E04C 3/292;  
E04C 2003/0404; E04C 2003/0452; E04C  
2003/046; E04B 2/00; E04B 7/00; E04B  
5/12; E04D 13/15; E04D 13/0459; E04D  
1/36  
See application file for complete search history.

4,912,899 A \* 4/1990 Plasker ..... E04B 9/008  
52/255  
6,301,849 B1 \* 10/2001 Roth ..... E04B 1/72  
52/302.1  
D460,197 S \* 7/2002 Stringer ..... D25/48.8  
D486,921 S \* 2/2004 Zyburd ..... D25/119  
D497,130 S \* 10/2004 Perfetti ..... D12/196  
D592,945 S \* 5/2009 Mahan ..... D8/381  
D620,622 S \* 7/2010 Steel ..... D25/164  
D651,292 S \* 12/2011 Geers ..... D23/267  
D765,492 S \* 9/2016 Akers ..... D8/354  
2013/0205696 A1 \* 8/2013 Little ..... E04F 13/06  
52/255  
2014/0144100 A1 \* 5/2014 Rutherford ..... E04F 13/06  
52/716.2

\* cited by examiner

*Primary Examiner* — Cynthia Ramirez  
*Assistant Examiner* — L. Martinez-Rivera  
(74) *Attorney, Agent, or Firm* — Tai W. Nahm; Miller  
Thomson LLP

(57) **CLAIM**

The ornamental design for a trim reveal extrusion, as shown  
and described.

**DESCRIPTION**

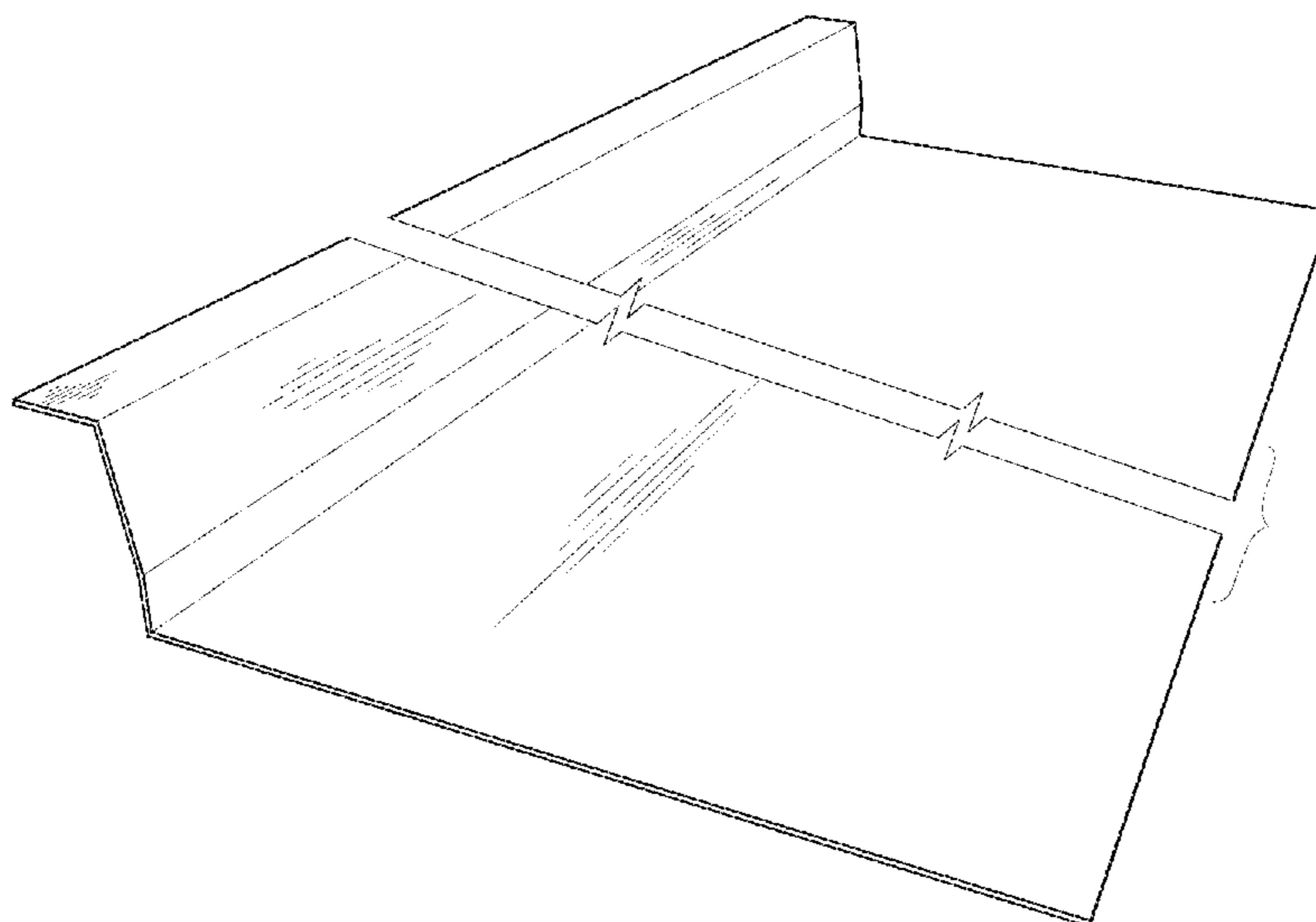
FIG. 1 is a perspective view of a trim reveal extrusion  
showing my new design; and,  
FIG. 2 is a cross-sectional end view thereof.  
The trim reveal extrusion is shown with a symbolic break in  
its length. The appearance of any portion of the trim reveal  
extrusion between the jagged break lines form no part of the  
claimed design.

**1 Claim, 1 Drawing Sheet**

(56) **References Cited**

U.S. PATENT DOCUMENTS

3,738,690 A \* 6/1973 White ..... E04C 3/08  
403/4  
D269,193 S \* 5/1983 Lazzara ..... D20/43



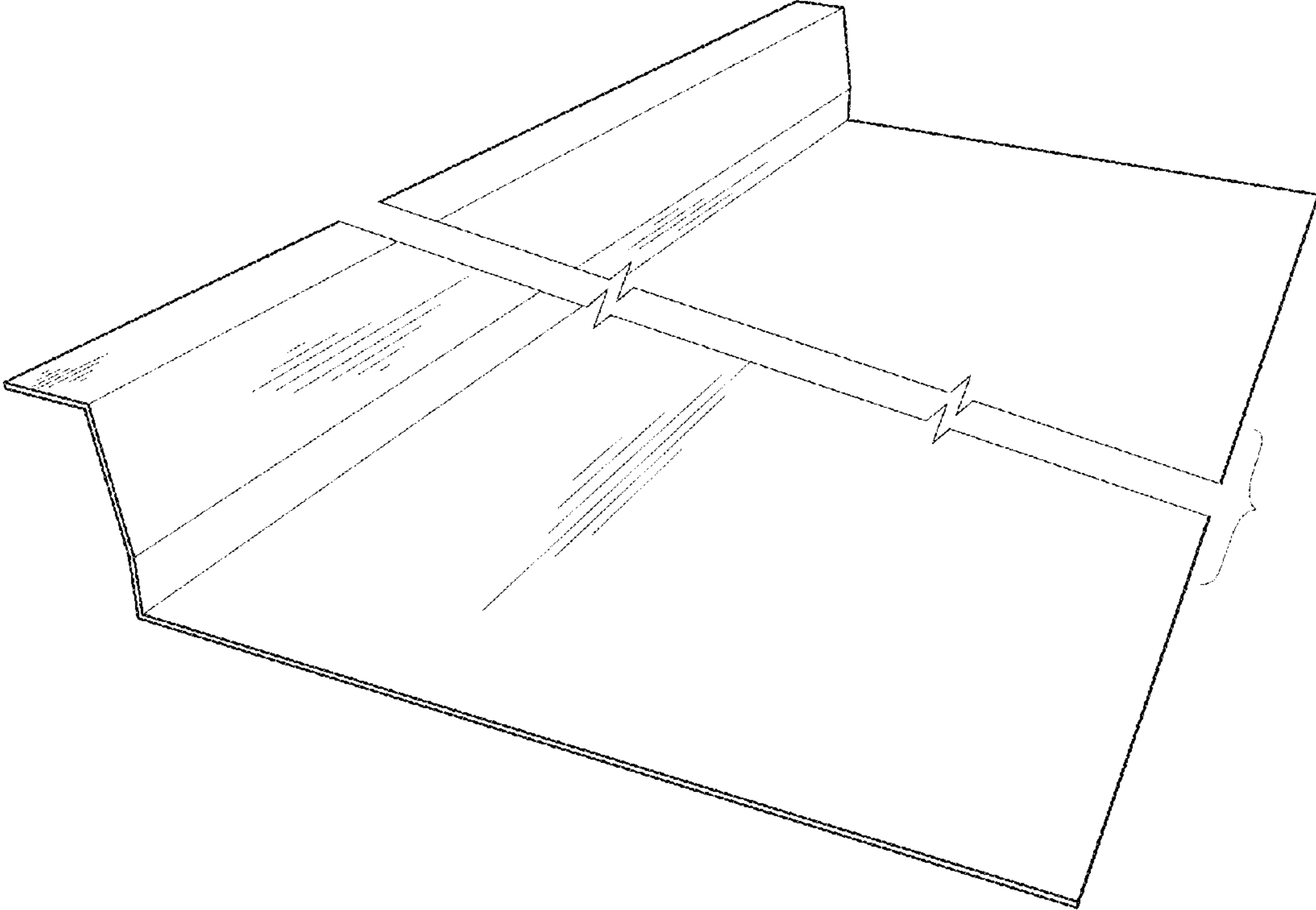


FIG. 1



FIG. 2