



US00D814055S

(12) **United States Design Patent**
Singh

(10) **Patent No.:** **US D814,055 S**
(45) **Date of Patent:** **** Mar. 27, 2018**

- (54) **TRIM REVEAL EXTRUSION**
- (71) Applicant: **Joshua George Singh**, Calgary (CA)
- (72) Inventor: **Joshua George Singh**, Calgary (CA)
- (**) Term: **15 Years**
- (21) Appl. No.: **29/549,786**
- (22) Filed: **Dec. 28, 2015**
- (51) **LOC (11) Cl.** **25-02**
- (52) **U.S. Cl.**
USPC **D25/119**
- (58) **Field of Classification Search**
USPC D25/35, 38.1, 55, 58, 59, 60, 61, 118,
D25/119, 121, 136-138, 164, 199;
D26/138, 142
CPC E04F 19/02; E04F 19/022; E04F 19/04;
E04F 19/0436; E04F 19/0495; E04F
19/061; E04F 19/062; E04F 19/064; E04F
19/065; E04F 13/00; E04F 2013/063;
E04F 15/142; B60R 13/04; B60R 13/043;
B60R 13/06; B60R 13/0206; B60R
13/0237; B60R 13/0281; B60R 13/02;
A47B 96/04; A47B 96/06; A47B 96/201
See application file for complete search history.

- (56) **References Cited**
U.S. PATENT DOCUMENTS
3,239,980 A * 3/1966 Sherron E04H 1/14
52/282.4
3,589,083 A * 6/1971 Scalfani, Jr. E04F 19/064
52/282.1
D263,759 S * 4/1982 Dallaire D25/119

- D373,962 S * 9/1996 Nagai D25/119
- 6,318,039 B1 * 11/2001 Watson E04F 19/0436
52/716.1
- 6,341,458 B1 * 1/2002 Burt E04F 19/061
52/716.1
- D661,817 S * 6/2012 Fournier D25/102
- D690,436 S * 9/2013 Elizarraras D25/136
- 8,756,886 B1 * 6/2014 Grant E04F 13/22
52/288.1
- D742,544 S * 11/2015 Singh D25/119
- 2008/0092470 A1 * 4/2008 Jackson E04F 19/0436
52/288.1
- 2012/0255249 A1 * 10/2012 Singh E04F 19/065
52/302.1

* cited by examiner

Primary Examiner — Cynthia Ramirez
Assistant Examiner — Llorellys Martinez-Rivera
(74) *Attorney, Agent, or Firm* — Tai W. Nahm; Miller Thomson LLP

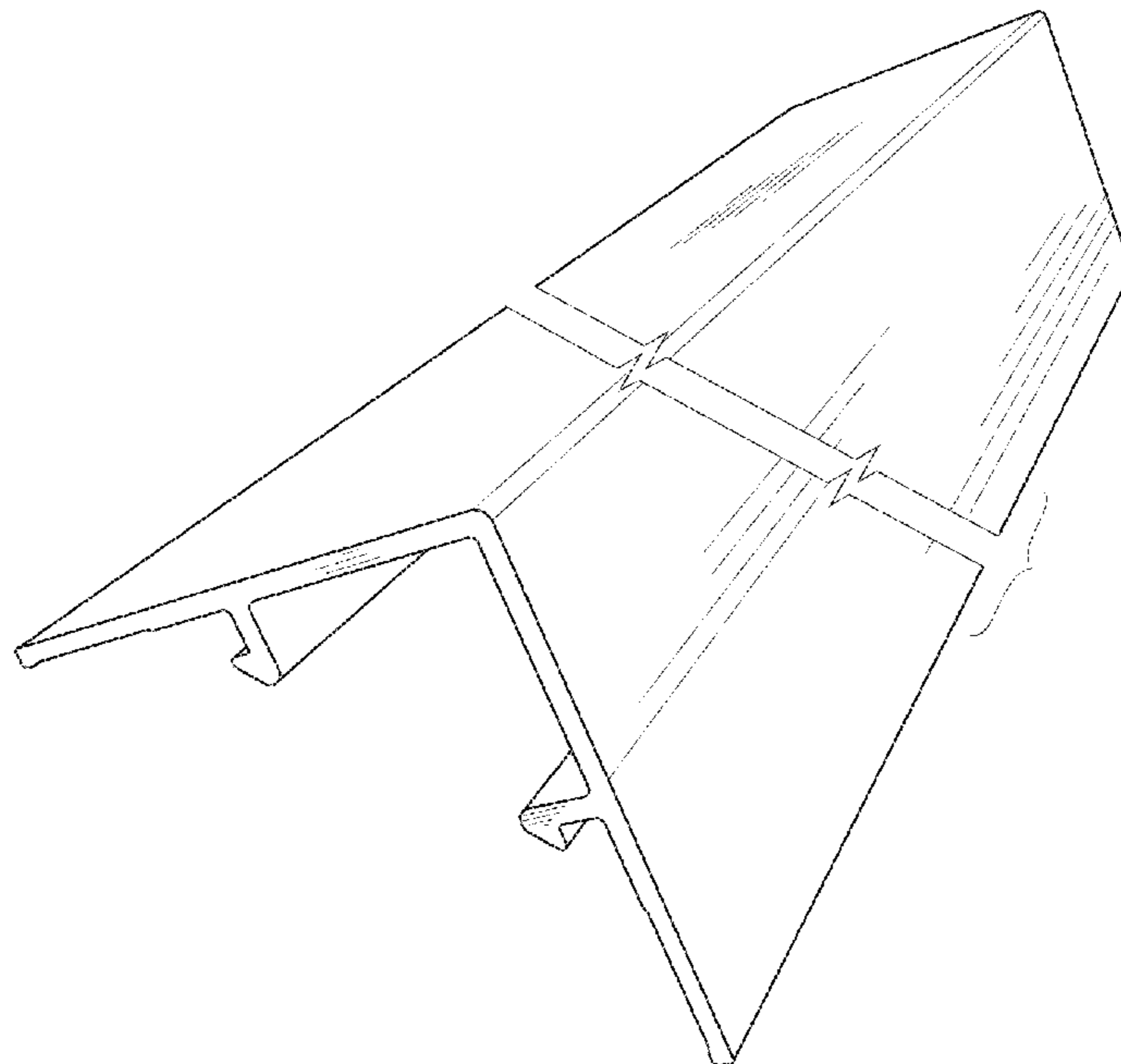
(57) **CLAIM**

The ornamental design for a trim reveal extrusion, as shown and described.

DESCRIPTION

FIG. 1 is a perspective view of a trim reveal extrusion showing my new design. FIG. 2 is a cross-sectional view thereof; and, FIG. 3 is an end elevational view thereof, showing the trim reveal extrusion in an environment of use. The trim reveal extrusion is shown with a symbolic break in its length. The appearance of any portion of the trim reveal extrusion between the jagged break lines form no part of the claimed design.

1 Claim, 1 Drawing Sheet



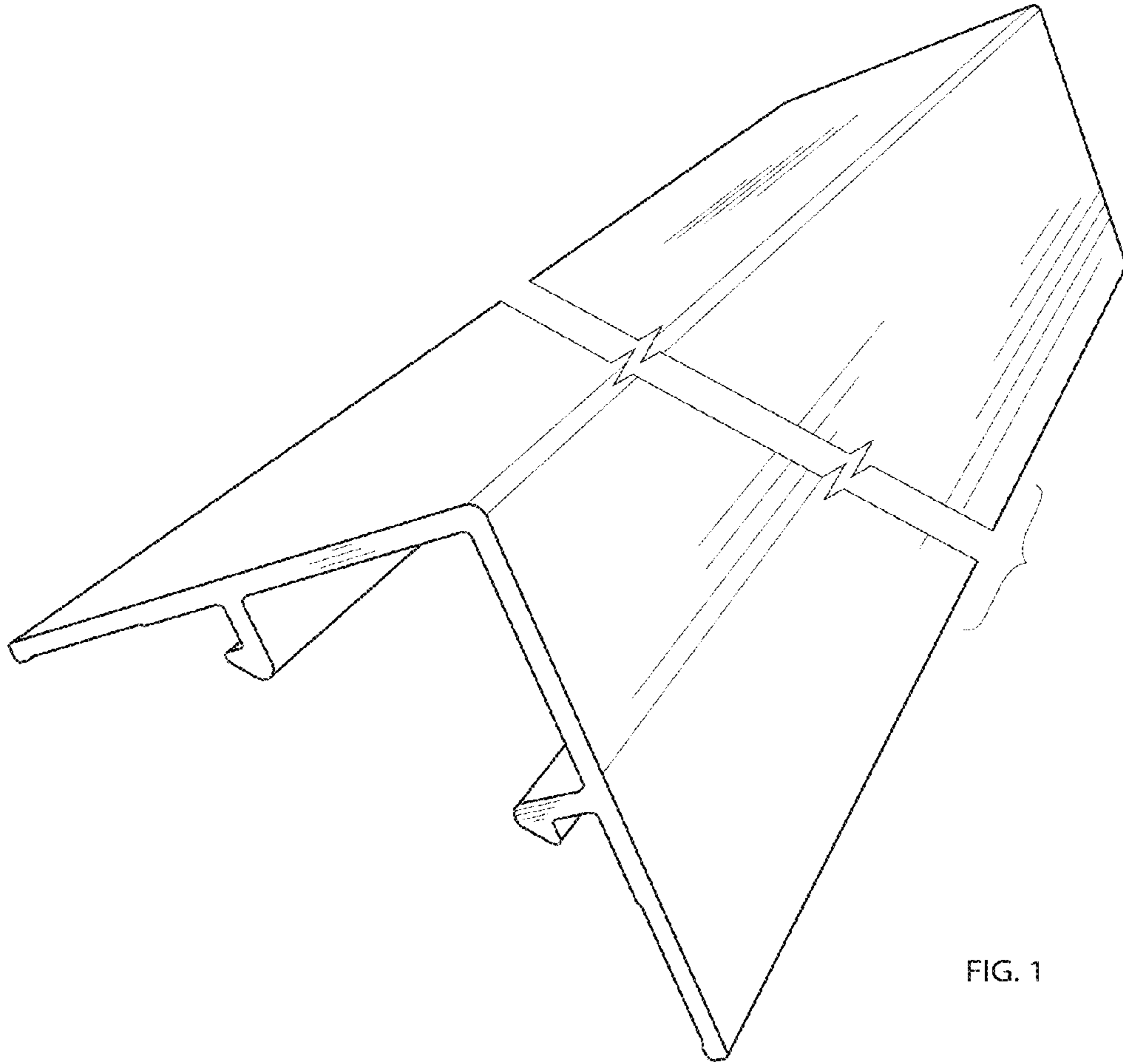


FIG. 1

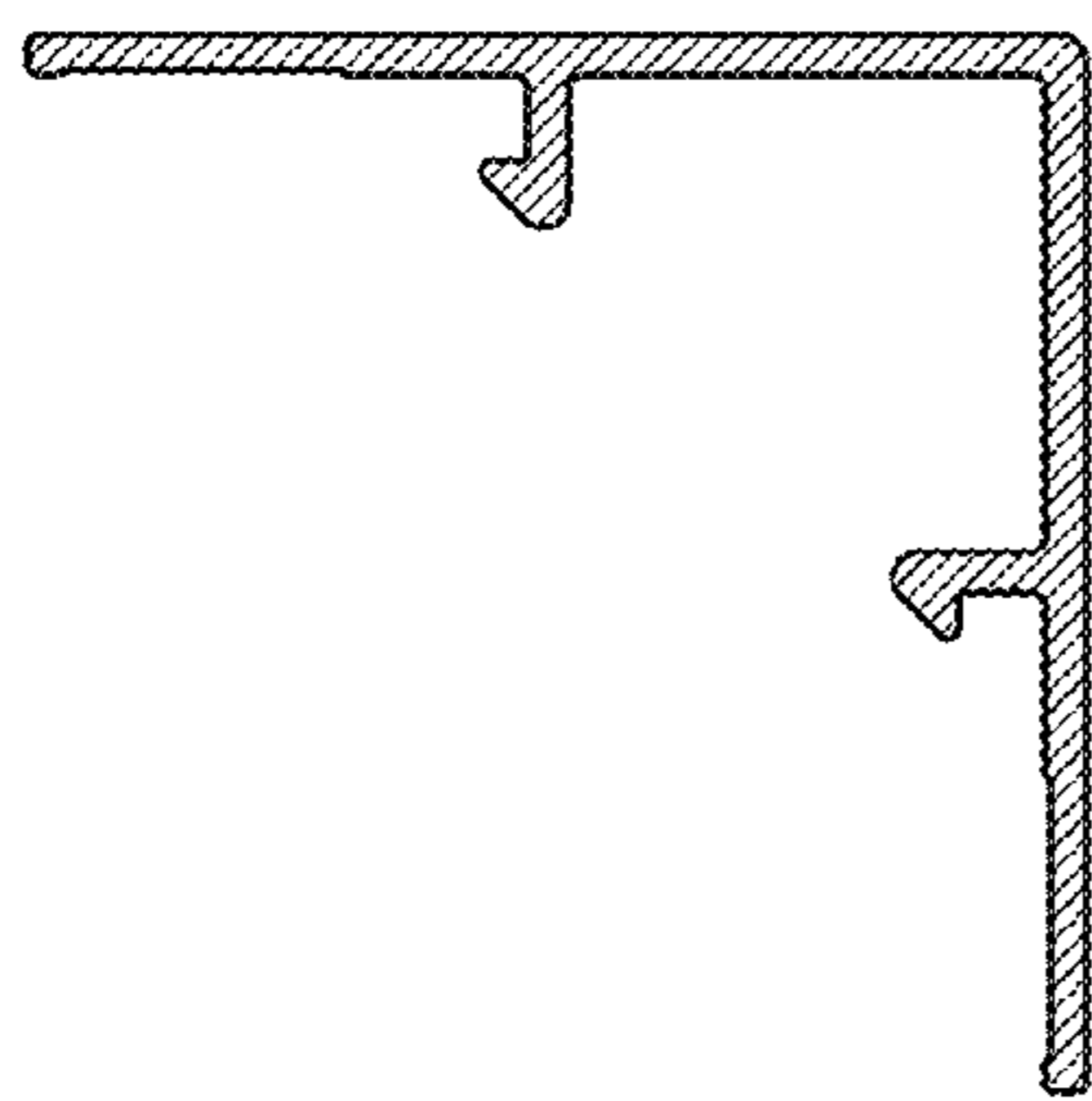


FIG. 2

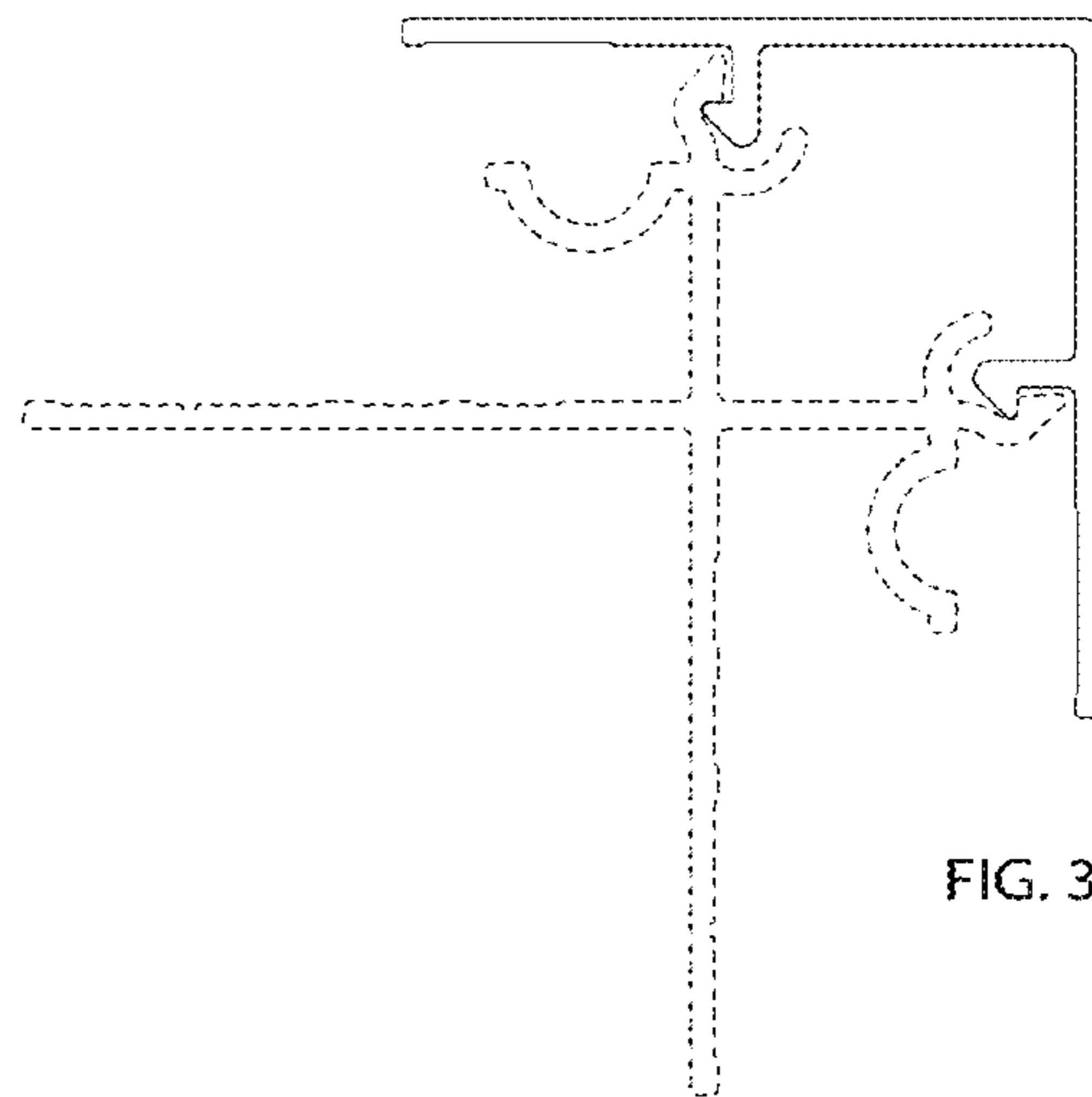


FIG. 3