



US00D814054S

(12) **United States Design Patent**
Ewoldt

(10) **Patent No.:** **US D814,054 S**
(45) **Date of Patent:** **** Mar. 27, 2018**

- (54) **RECESS MOUNT JAMB**
- (71) Applicant: **Unique Home Designs, Inc.**, Gilbert, AZ (US)
- (72) Inventor: **John O. Ewoldt**, Gilbert, AZ (US)
- (73) Assignee: **Unique Home Designs, Inc.**, Gilbert, AZ (US)
- (**) Term: **15 Years**
- (21) Appl. No.: **29/538,340**
- (22) Filed: **Sep. 2, 2015**
- (51) **LOC (11) Cl.** **25-01**
- (52) **U.S. Cl.**
USPC **D25/119**
- (58) **Field of Classification Search**
USPC D25/119–125, 69, 56, 48.8, 47, 49, 60, D25/141, 138, 58, 38.1, 135, 136, 35, 61; 52/179, 506.06, 506.07, 716.1, 579, 578, 52/506.05, 489.1, 309.14, 518, 555, 52/204.59, 204.5, 213, 217, 211, 773, 52/717.02; 40/658, 666, 426, 549, 761; 49/505
CPC E06B 1/52; E06B 1/12; E06B 5/11; E06B 5/161
See application file for complete search history.

(56) **References Cited**

U.S. PATENT DOCUMENTS

- 1,046,666 A * 12/1912 Smith E06B 1/6076 49/504
- 2,765,884 A * 10/1956 Steffan E06B 1/52 52/211
- 2,826,282 A * 3/1958 Goldberg E06B 1/20 49/436
- D359,565 S * 6/1995 Hallsten D25/119

- 5,603,191 A * 2/1997 Wu E06B 1/30 49/504
- 5,669,198 A * 9/1997 Ruff E06B 1/6015 248/222.52
- 5,727,356 A * 3/1998 Ensinger E06B 3/26303 49/DIG. 1
- 6,253,507 B1 * 7/2001 Martino E06B 1/06 403/404
- 6,490,831 B1 * 12/2002 Candusso E06B 3/303 52/204.1
- 7,694,472 B2 * 4/2010 Rawlings E06B 3/2675 52/204.1
- D693,483 S * 11/2013 Krieger E04F 13/0826 D25/119
- 8,806,819 B1 * 8/2014 Teilborg E06B 1/18 49/505
- D734,871 S * 7/2015 Wright D25/119

* cited by examiner

Primary Examiner — Cynthia Ramirez

Assistant Examiner — Gino Colan

(74) *Attorney, Agent, or Firm* — Booth Udall Fuller, PLC

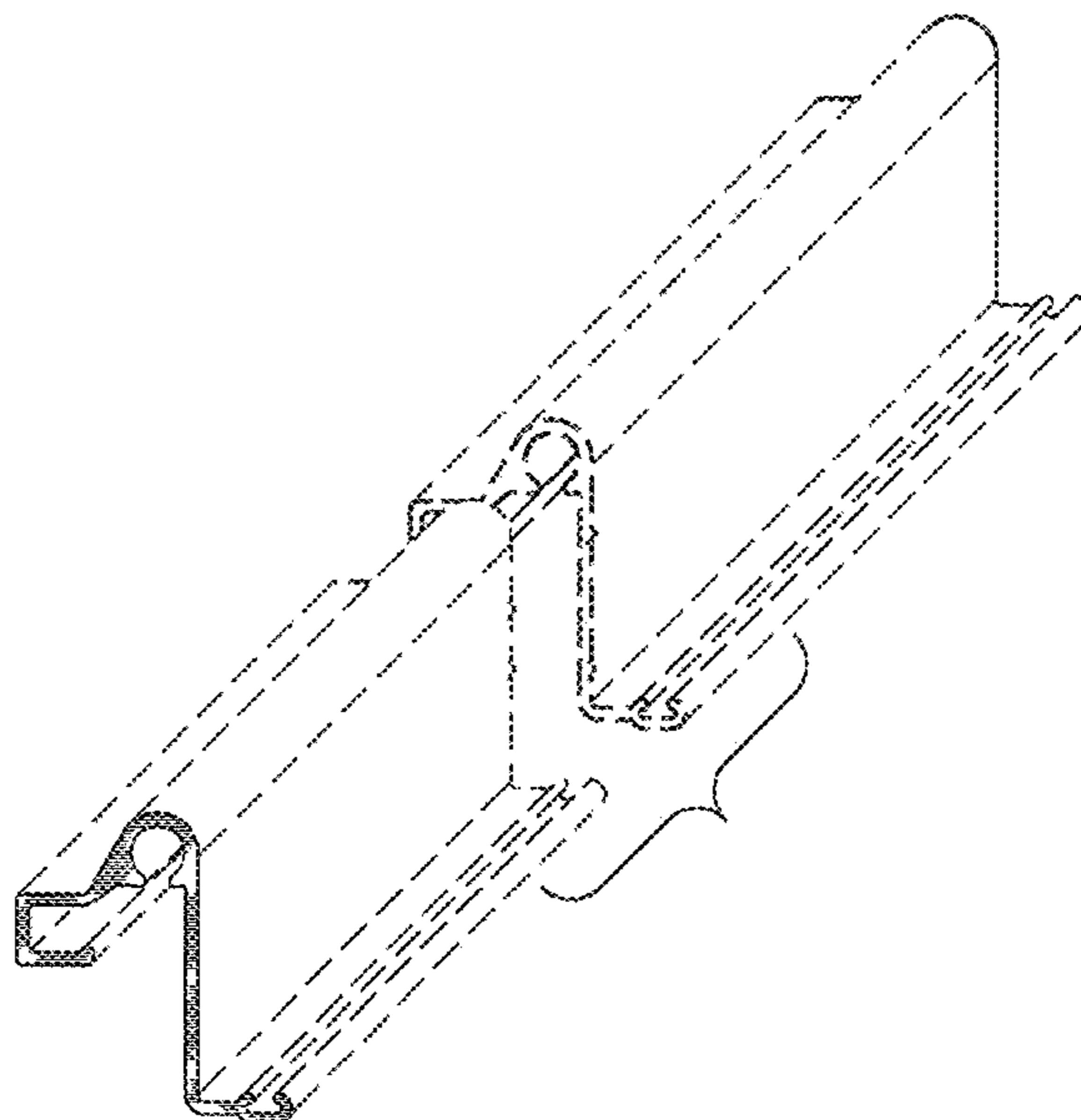
(57) **CLAIM**

The ornamental design for a recess mount jamb, as shown and described.

DESCRIPTION

FIG. 1 is a perspective view of a recess mount jamb showing my new design;
 FIG. 2 is a left side elevational view thereof;
 FIG. 3 is a right side elevational view thereof;
 FIG. 4 is a bottom plan view thereof;
 FIG. 5 is a top plan view thereof;
 FIG. 6 is a front elevational view thereof; and,
 FIG. 7 is a rear elevational view thereof.
 The broken lines shown in the figures are included for the purpose of illustrating portions of the recess mount jamb and form no part of the claimed design.

1 Claim, 4 Drawing Sheets



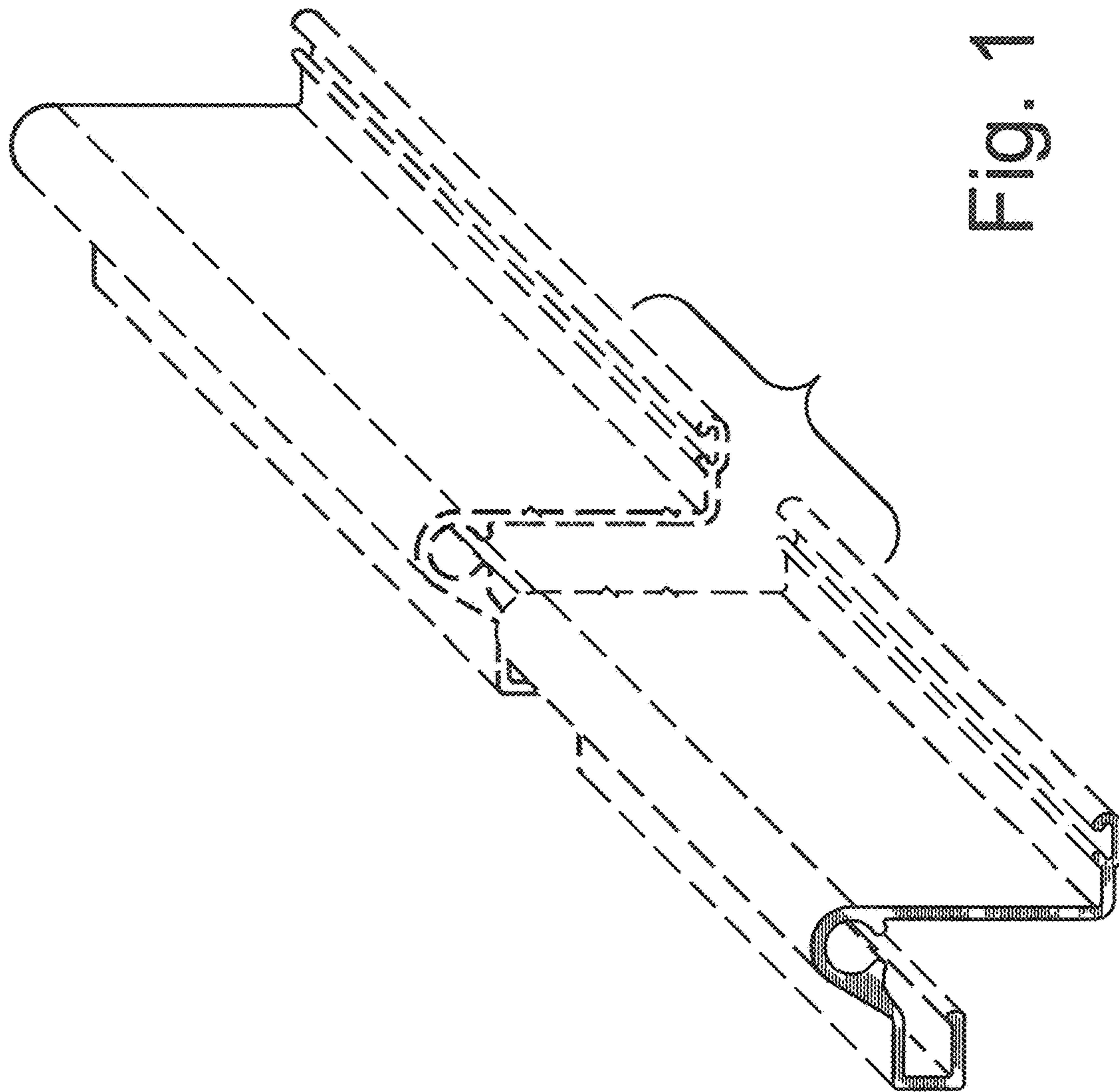


Fig. 1

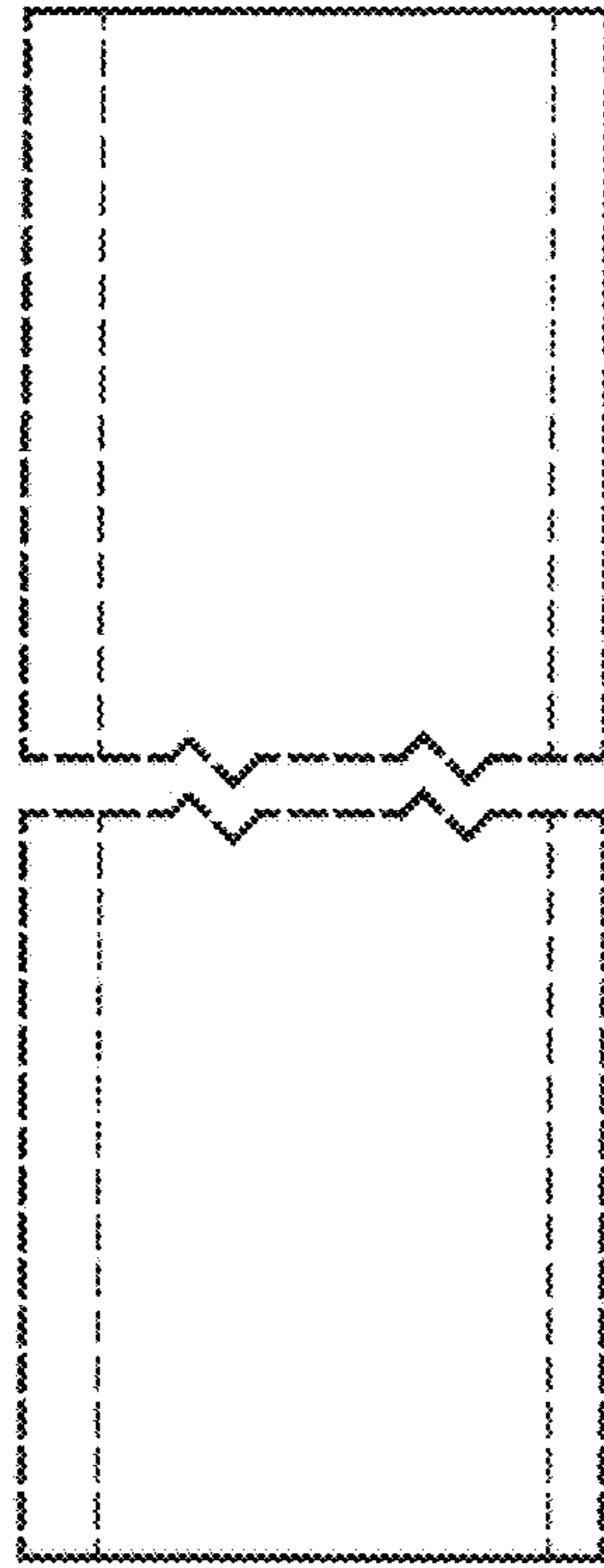


Fig. 2

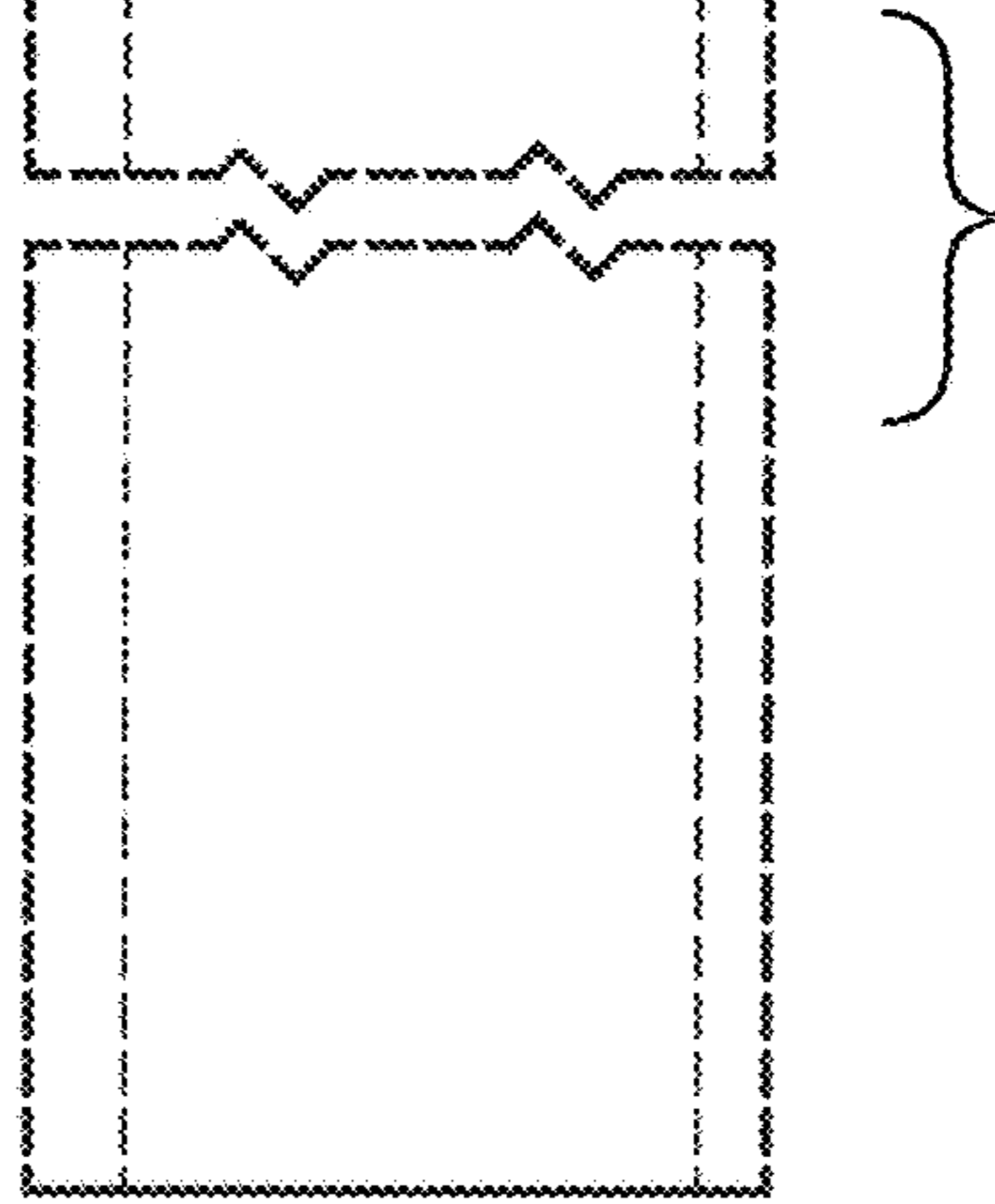


Fig. 3

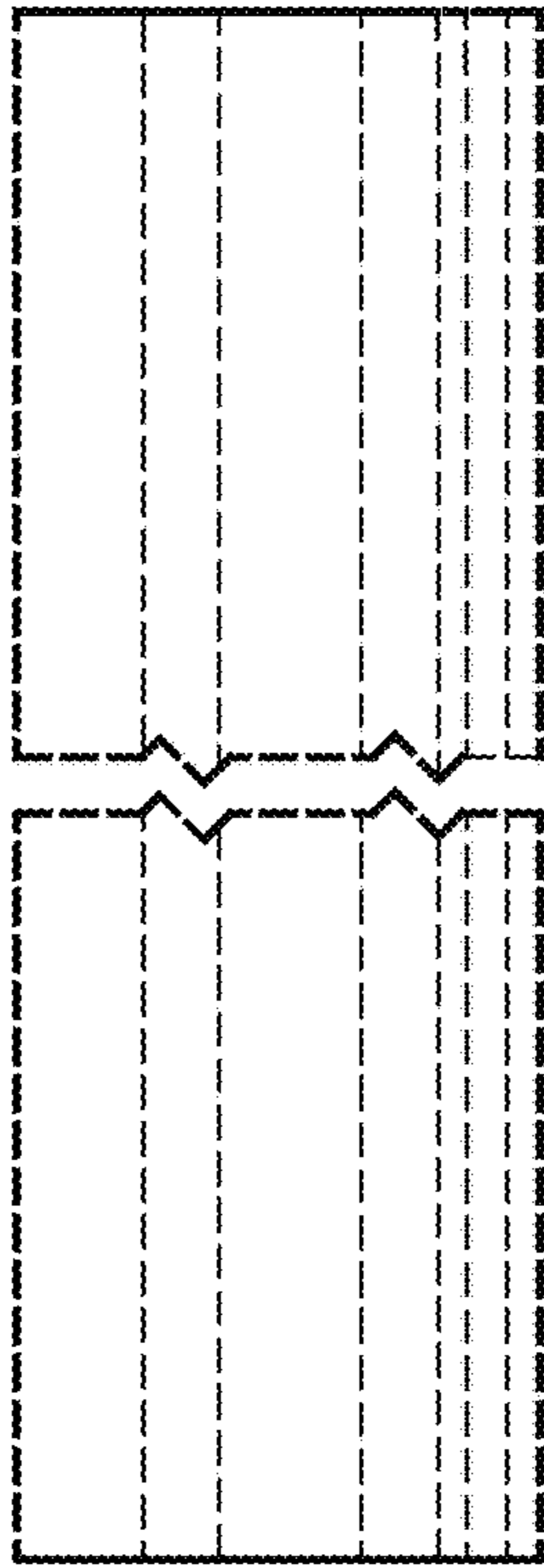


Fig. 5

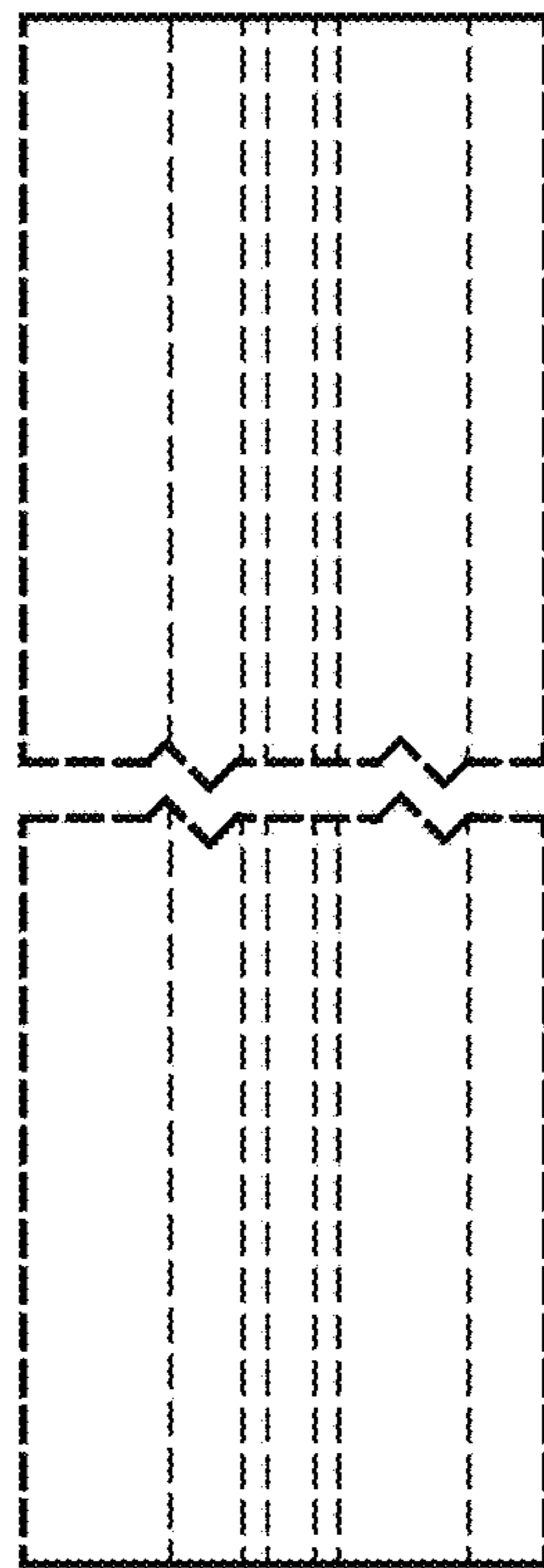


Fig. 4

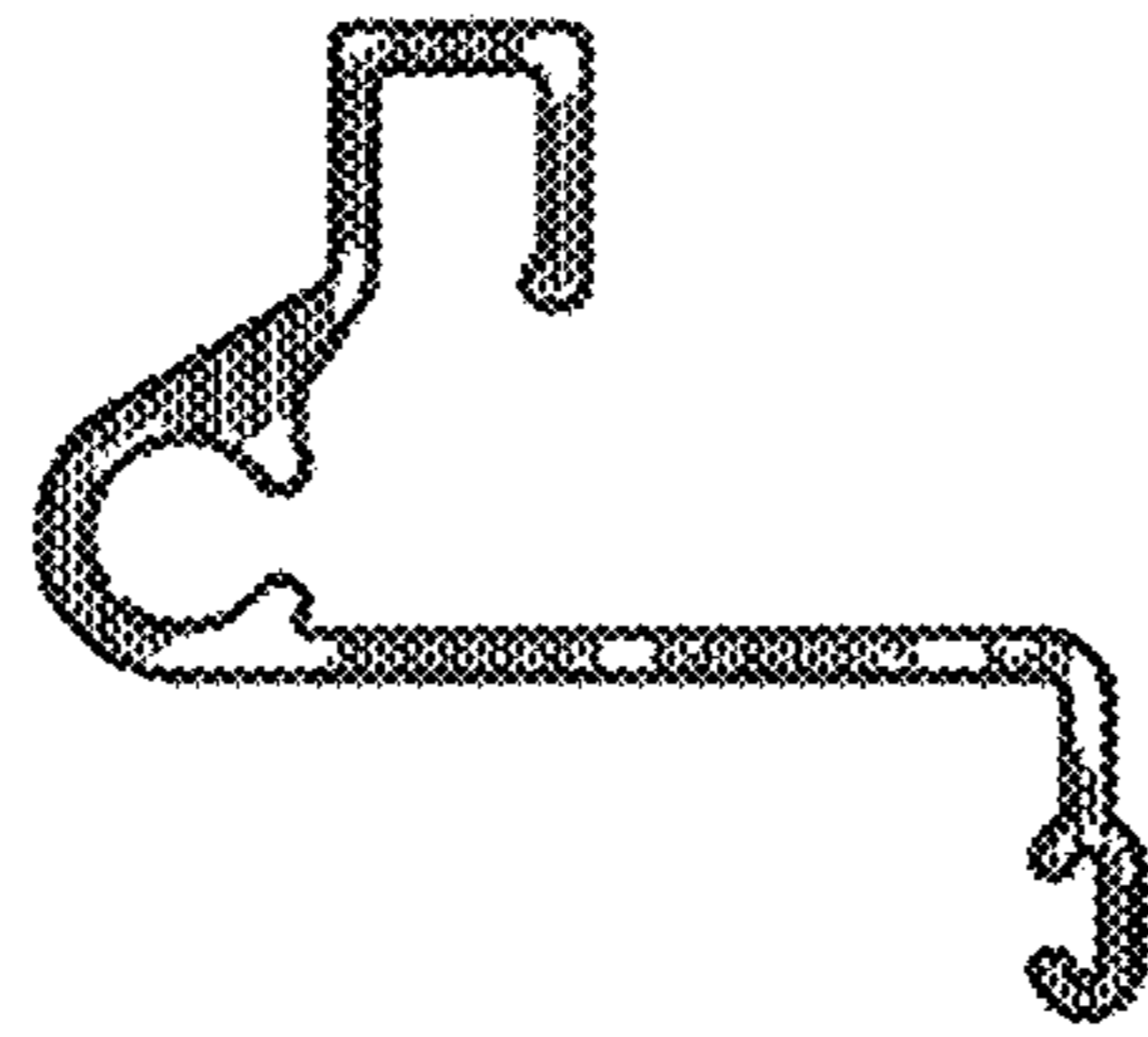


Fig. 7

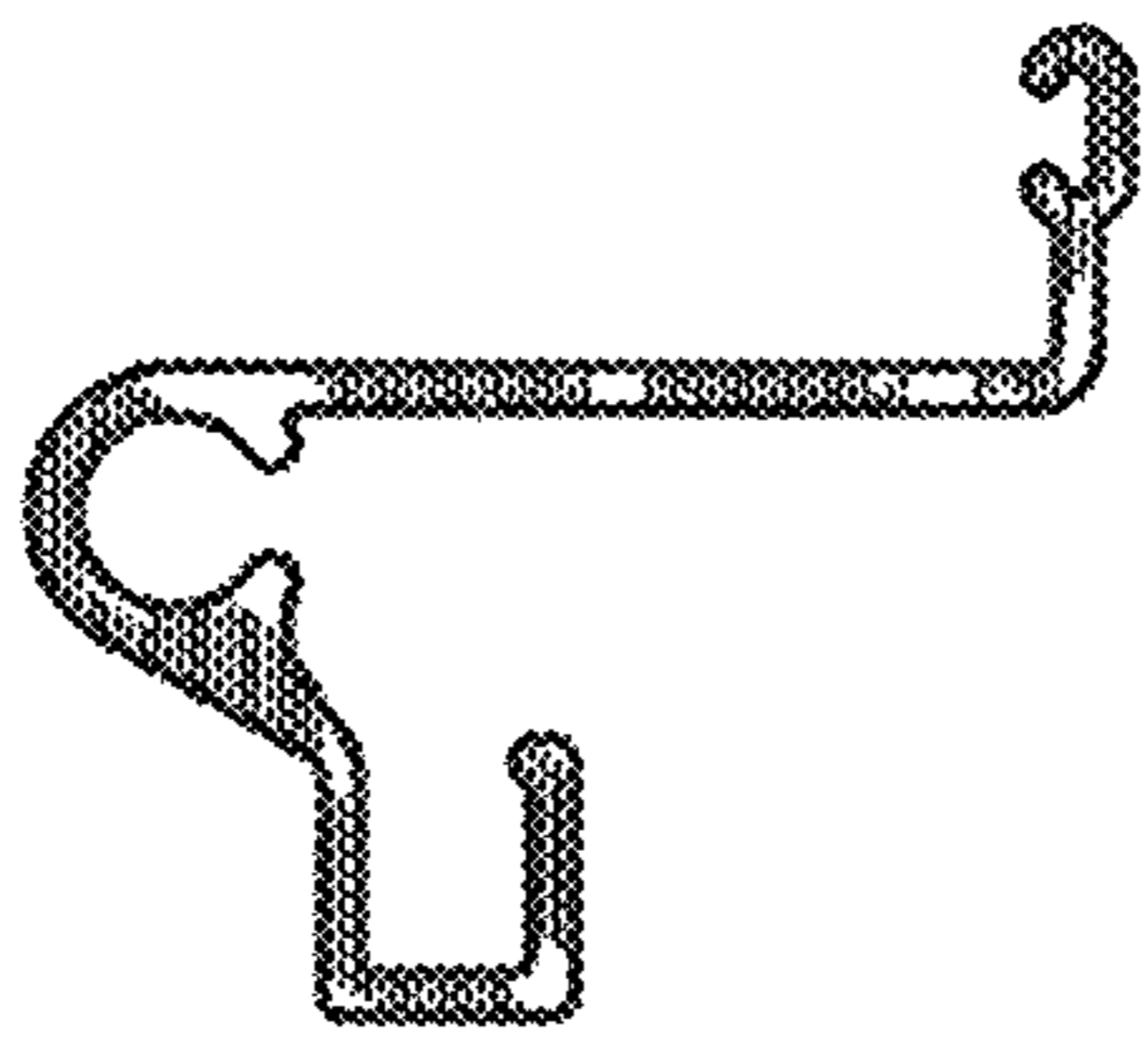


Fig. 6