



US00D814046S

(12) **United States Design Patent**
Ozeki et al.

(10) **Patent No.:** **US D814,046 S**

(45) **Date of Patent:** **** Mar. 27, 2018**

(54) **MIXING DEVICE**

H01M 2/1083; H01M 2/1223; H01M 4/0409; H01M 4/0414; H01M 4/0419

(71) Applicant: **ULVAC, Inc.**, Kanagawa (JP)

See application file for complete search history.

(72) Inventors: **Tomomitsu Ozeki**, Kanagawa (JP);
Manabu Kotaka, Kanagawa (JP);
Akihiro Maeda, Kanagawa (JP); **Yuki Yoshimura**, Kanagawa (JP)

(56) **References Cited**

U.S. PATENT DOCUMENTS

| | | | | |
|-----------|-----|---------|-------------------|------------------------|
| 4,347,004 | A * | 8/1982 | Platts | B01F 5/104 366/137 |
| 4,423,961 | A * | 1/1984 | Steiner | B01F 9/06 366/183.4 |
| D351,063 | S * | 10/1994 | Fenelon | D15/138 |
| 6,436,351 | B1 | 8/2002 | Gubernator et al. | |
| D523,153 | S * | 6/2006 | Akashi | D10/81 |
| D735,878 | S * | 8/2015 | Chang | D24/216 |
| D768,740 | S * | 10/2016 | Akerstrom | D15/122 |
| D777,048 | S * | 1/2017 | Barton | D10/81 |

(73) Assignee: **ULVAC, Inc.**, Kanagawa (JP)

(**) Term: **15 Years**

(21) Appl. No.: **29/565,716**

(22) Filed: **May 24, 2016**

OTHER PUBLICATIONS

Advertising brochure entitled "Precise Microplate Paddle Mixer [Micropaddle IMP-096A]", 2 pages.

(30) **Foreign Application Priority Data**

Feb. 25, 2016 (JP) 2016-004086

* cited by examiner

(51) **LOC (11) Cl.** **13-02**

(52) **U.S. Cl.**
USPC **D24/220**

Primary Examiner — Ian Simmons

Assistant Examiner — Khawaja Anwar

(58) **Field of Classification Search**
USPC D15/10-43; D24/216, 220, 226, 232
CPC H01M 10/0525; H01M 10/052; H01M 2220/20; H01M 4/366; H01M 4/485; H01M 4/505; H01M 4/525; H01M 4/625; H01M 2220/30; H01M 4/0402; H01M 4/0404; H01M 4/131; H01M 4/134; H01M 4/364; H01M 4/386; H01M 4/5825; H01M 8/1246; H01M 8/126; H01M 8/1286; H01M 10/0404; H01M 10/0431; H01M 10/054; H01M 10/0565; H01M 10/0567; H01M 10/0568; H01M 10/0569; H01M 10/0585; H01M 10/0587; H01M 10/3909; H01M 10/4228; H01M 10/482; H01M 2002/0205; H01M 2008/1095; H01M 2300/0025; H01M 2300/0028; H01M 2/0212; H01M 2/024; H01M 2/0275; H01M 2/0287; H01M 2/1016; H01M 2/1061; H01M 2/1077;

(74) *Attorney, Agent, or Firm* — Saliwanchik, Lloyd & Eisenschenk

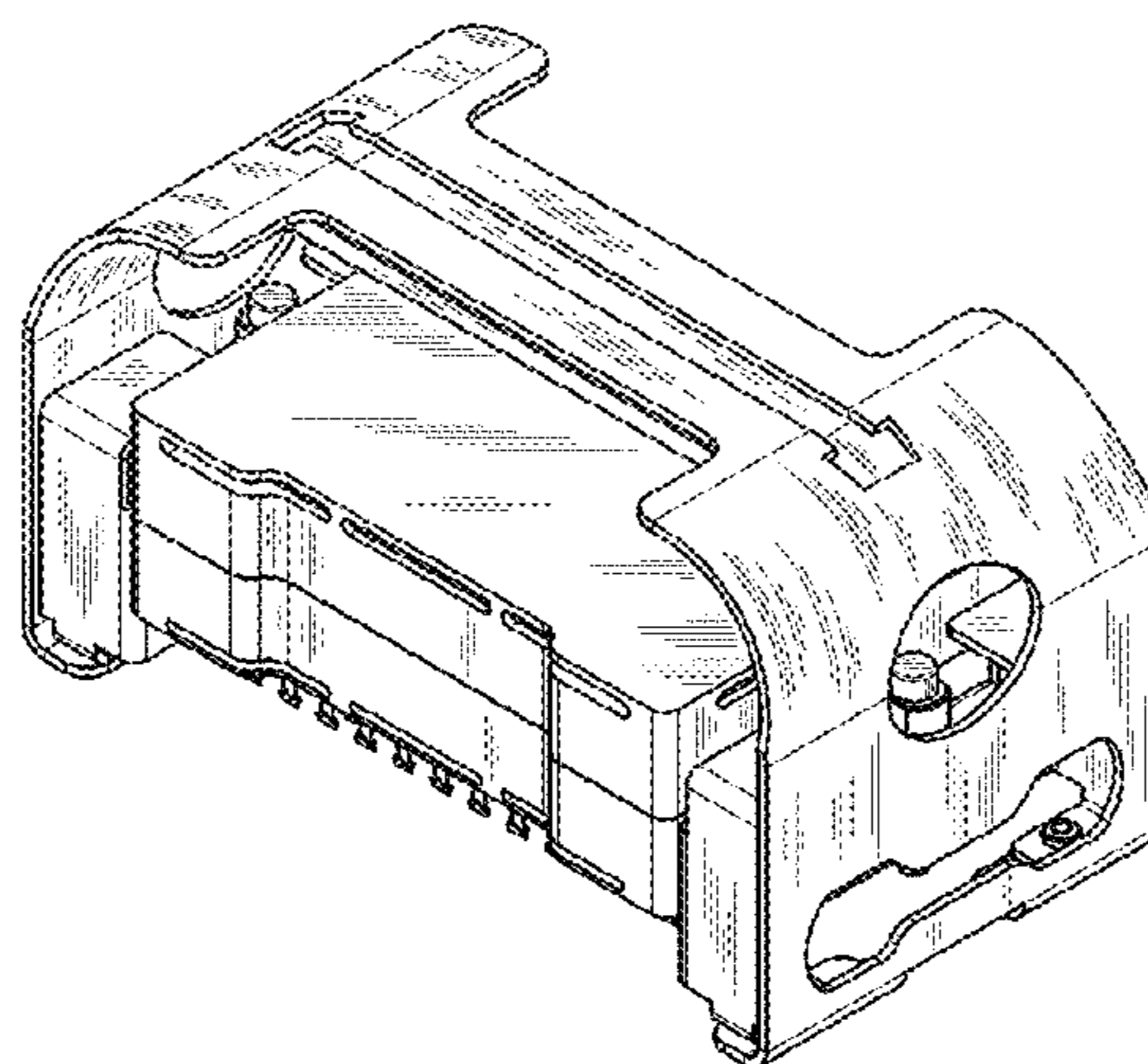
(57) **CLAIM**

The ornamental design for a mixing device, as shown and described.

DESCRIPTION

FIG. 1 is a top side perspective view of a mixing device showing our new design;
FIG. 2 is a bottom side perspective view thereof;
FIG. 3 is a front elevational view thereof;
FIG. 4 is a rear elevational view thereof;
FIG. 5 is a right side elevational view thereof;
FIG. 6 is a left side elevational view thereof;
FIG. 7 is a top plan view thereof; and,
FIG. 8 is a bottom plan view thereof.

1 Claim, 6 Drawing Sheets



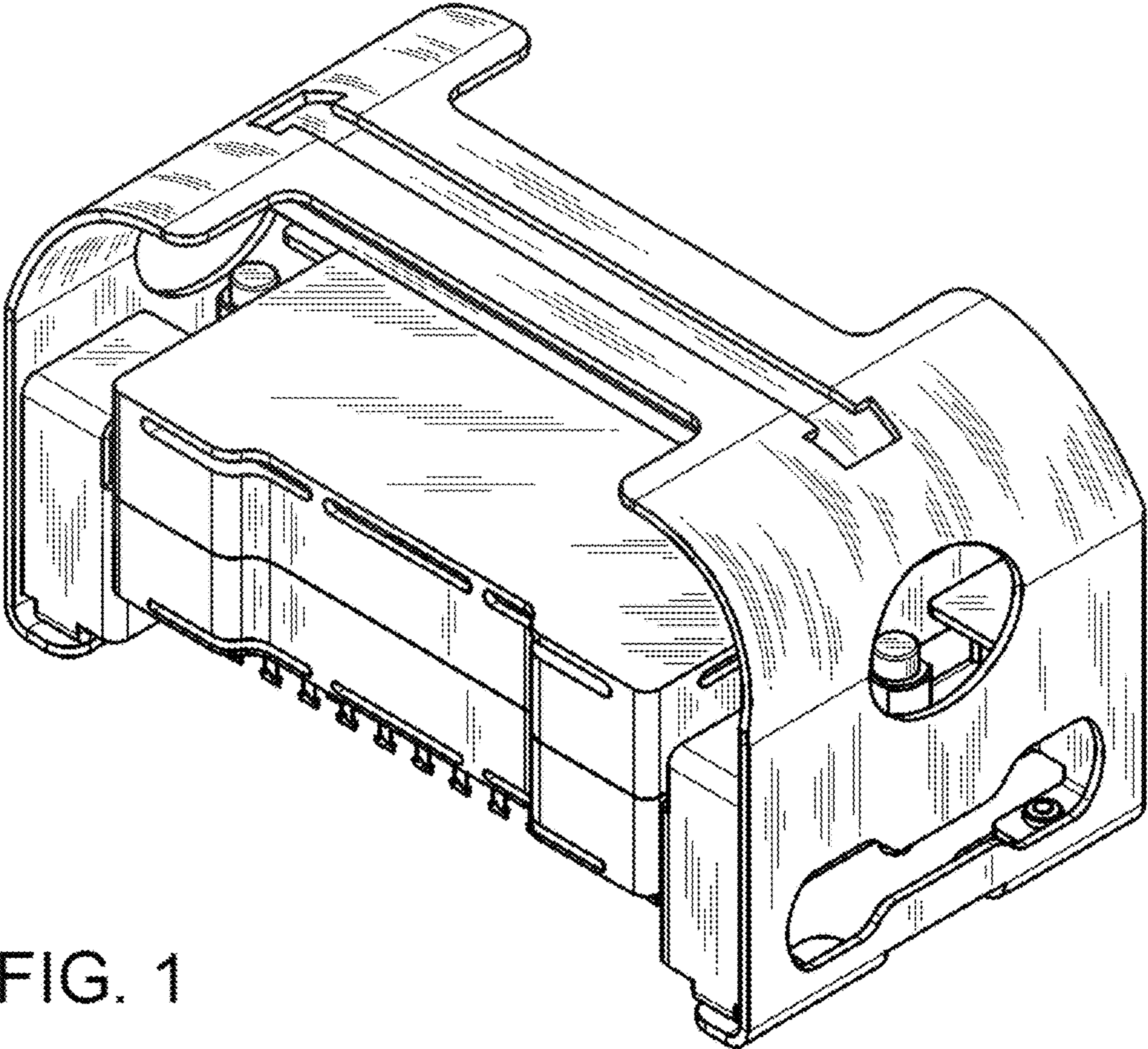


FIG. 1

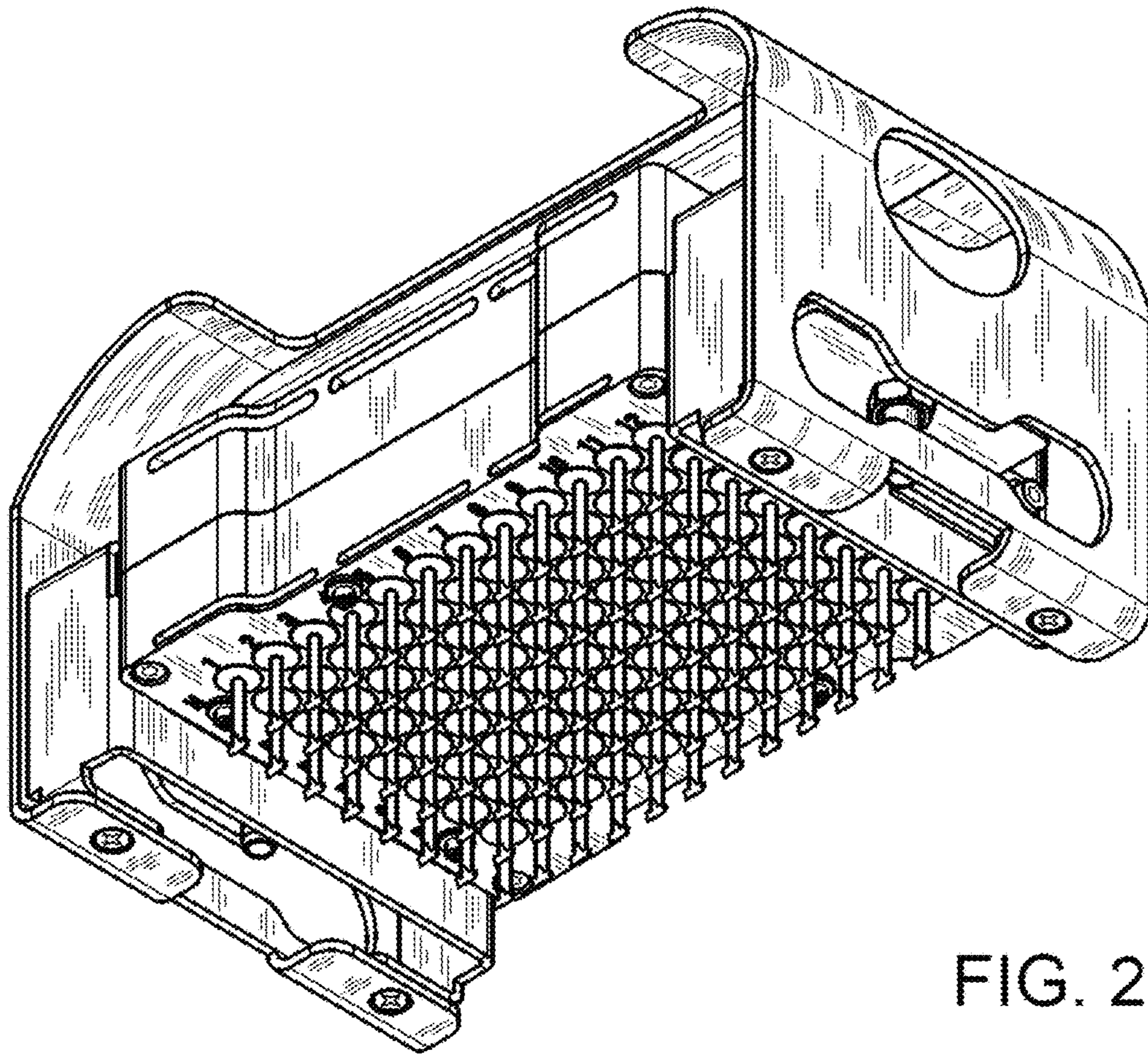


FIG. 2

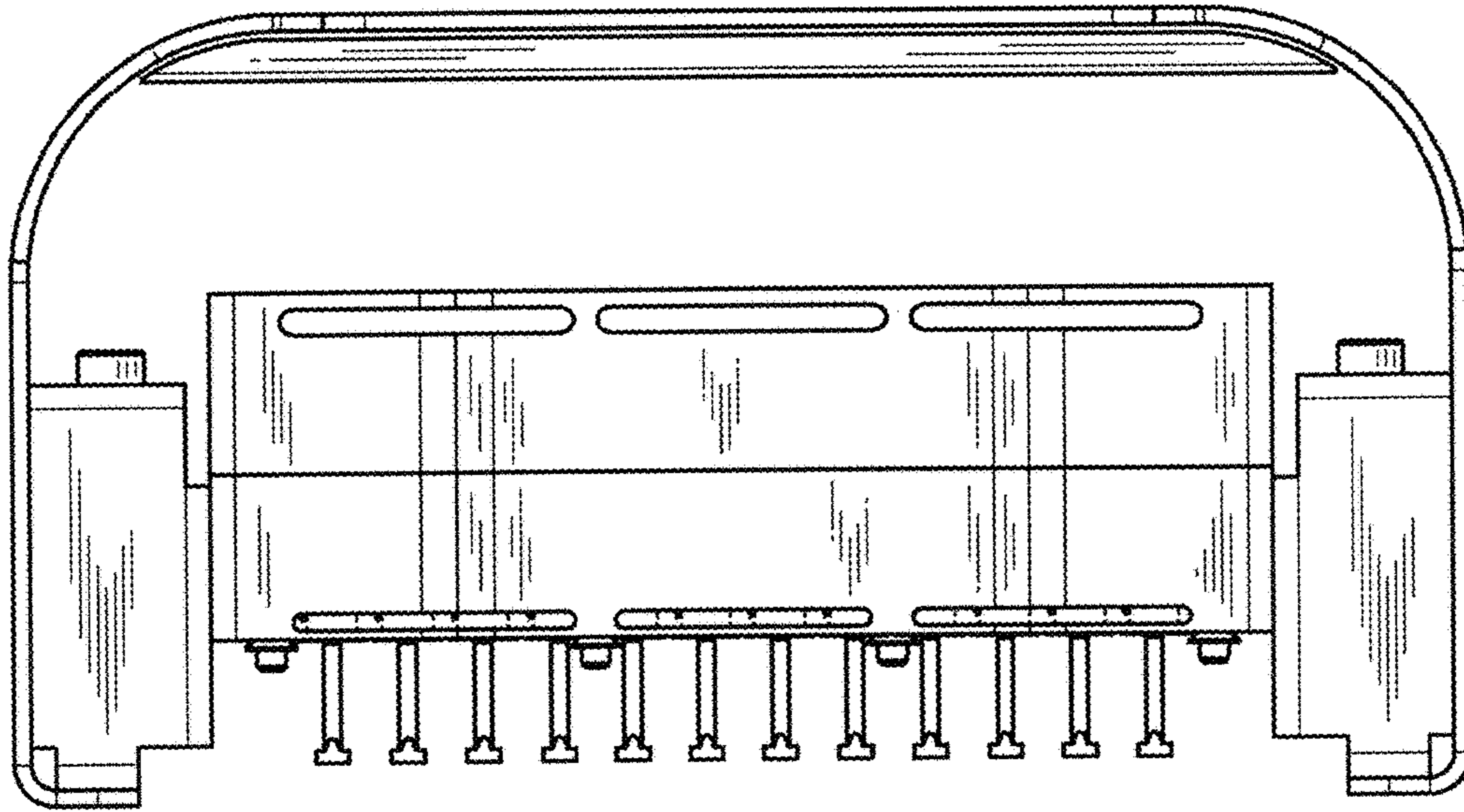


FIG. 3

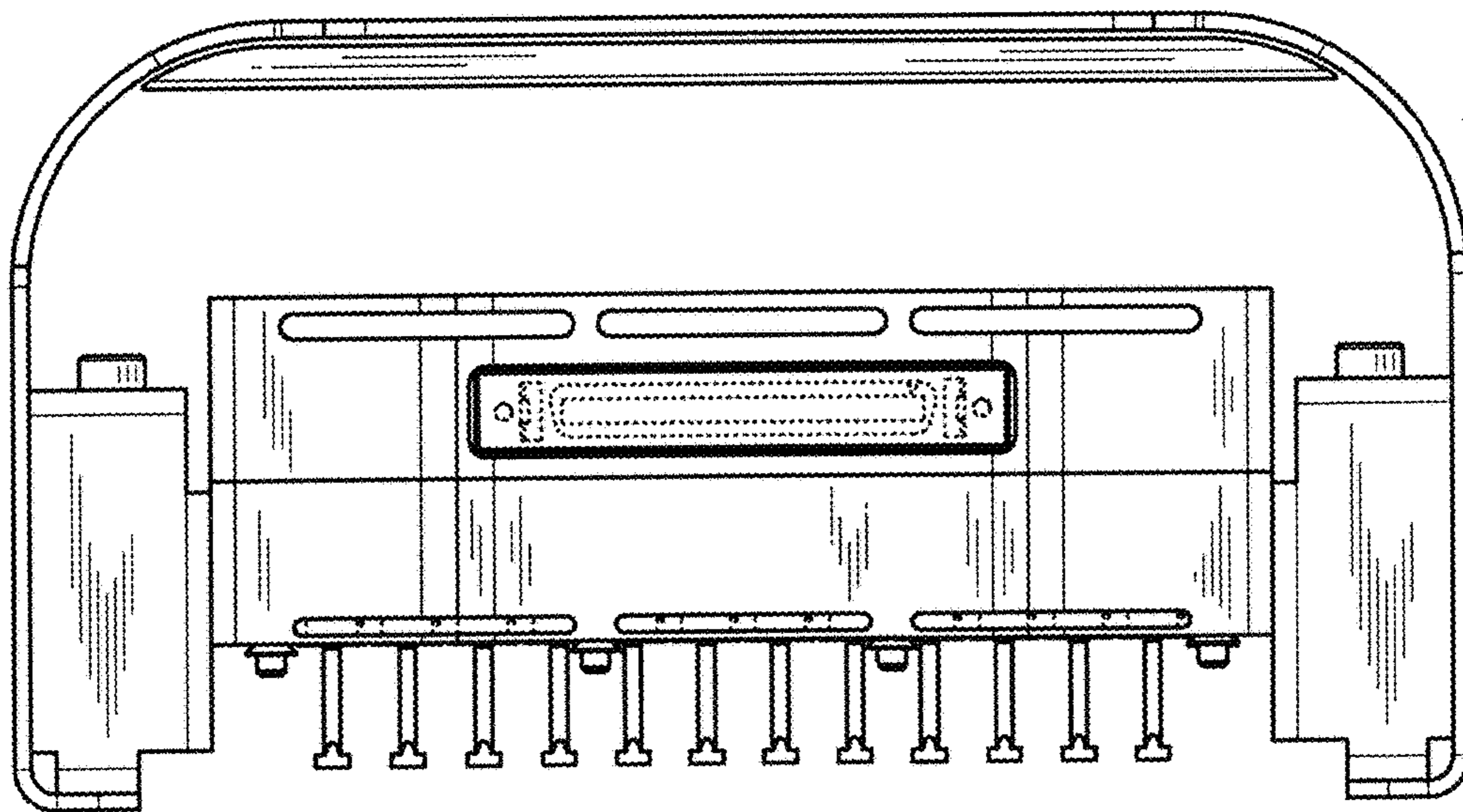


FIG. 4

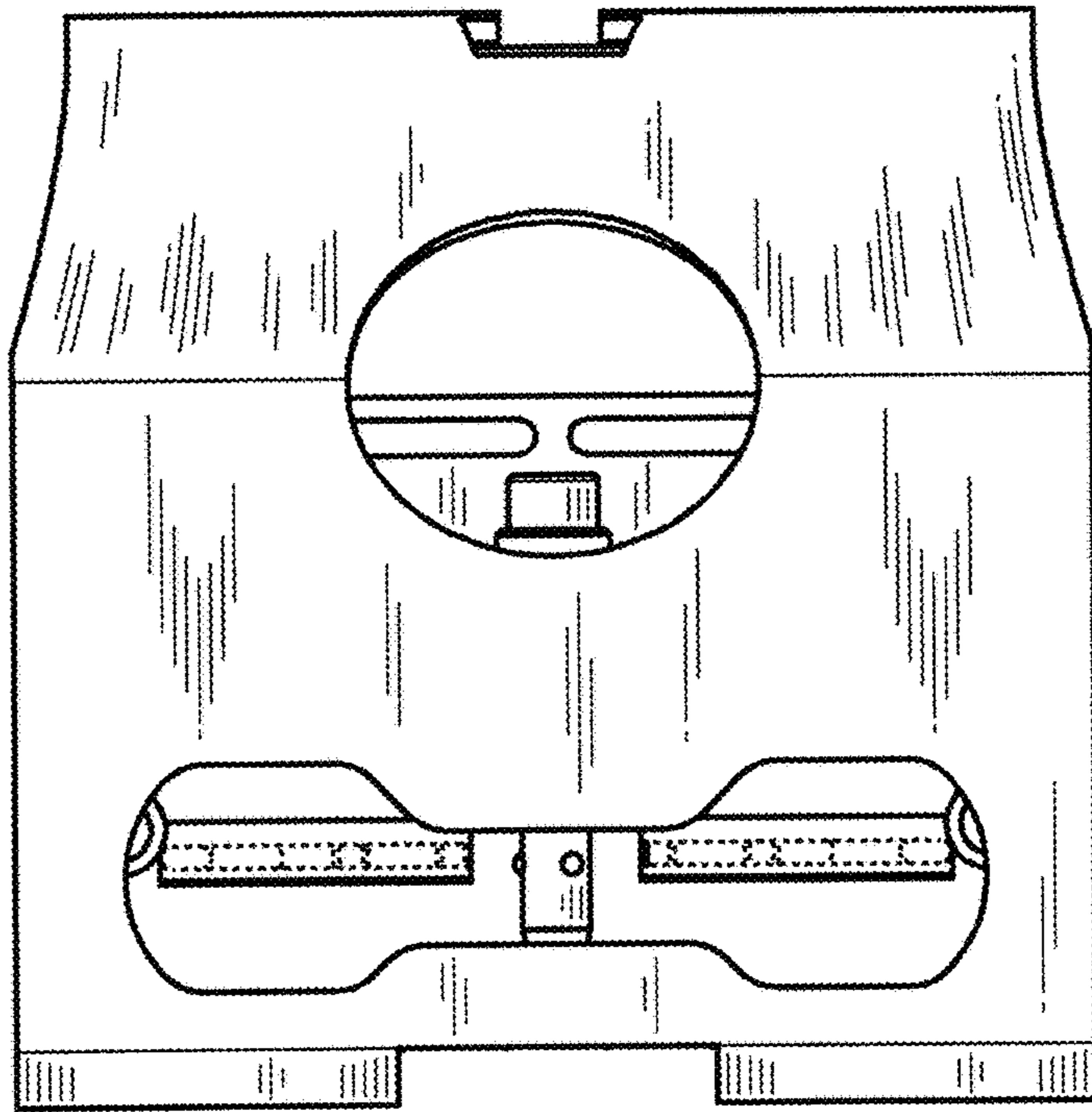


FIG. 5

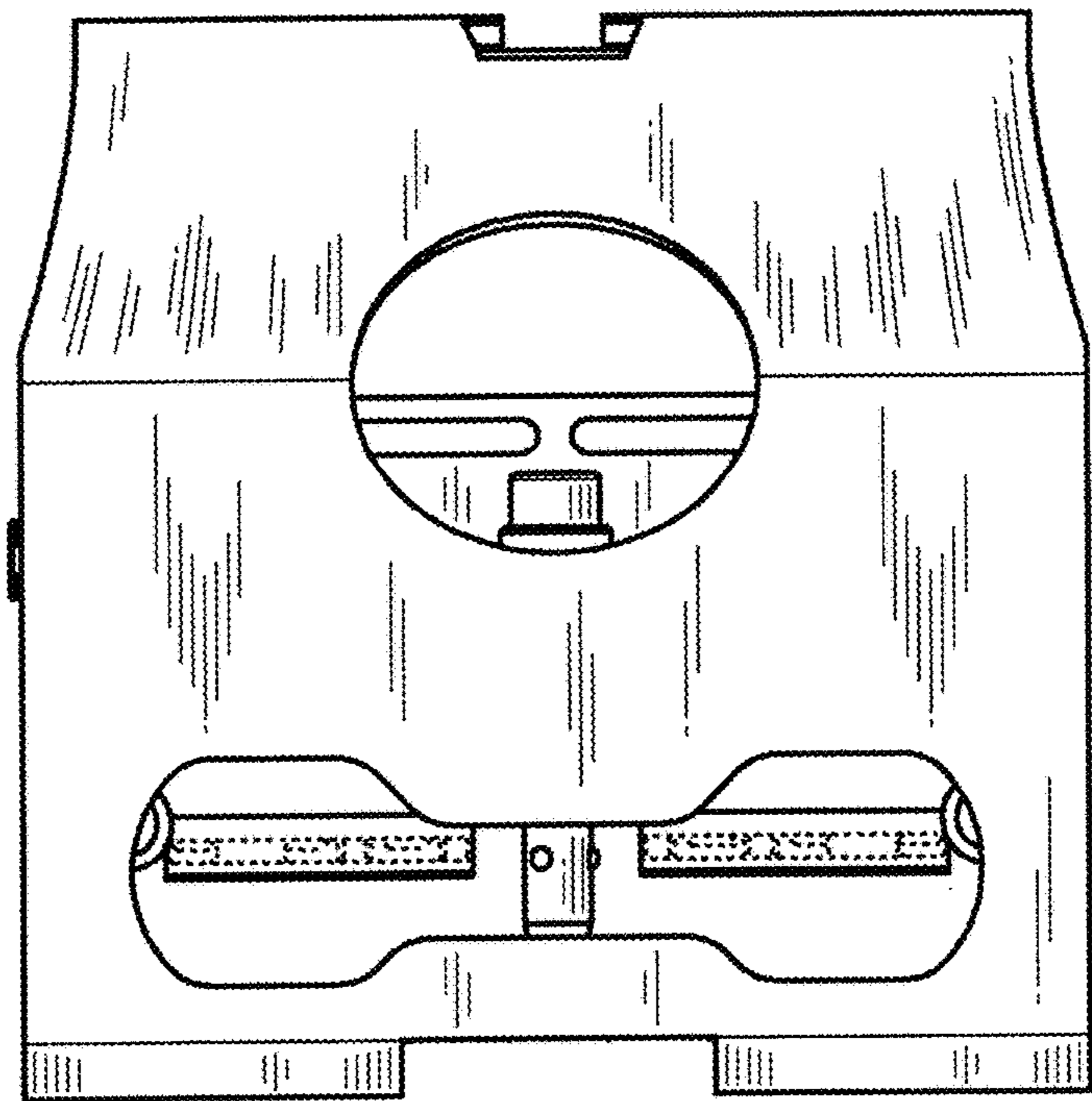


FIG. 6

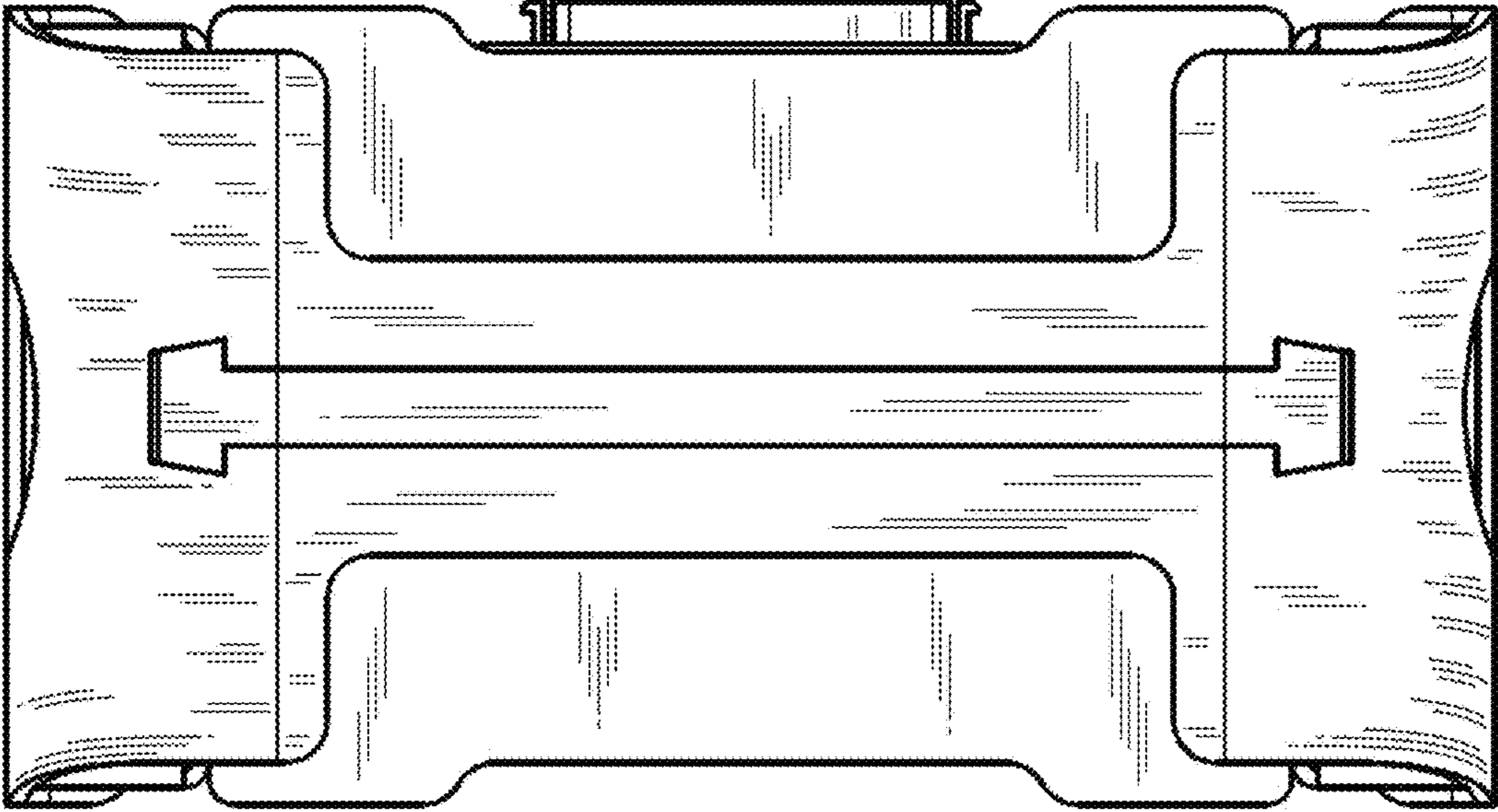


FIG. 7

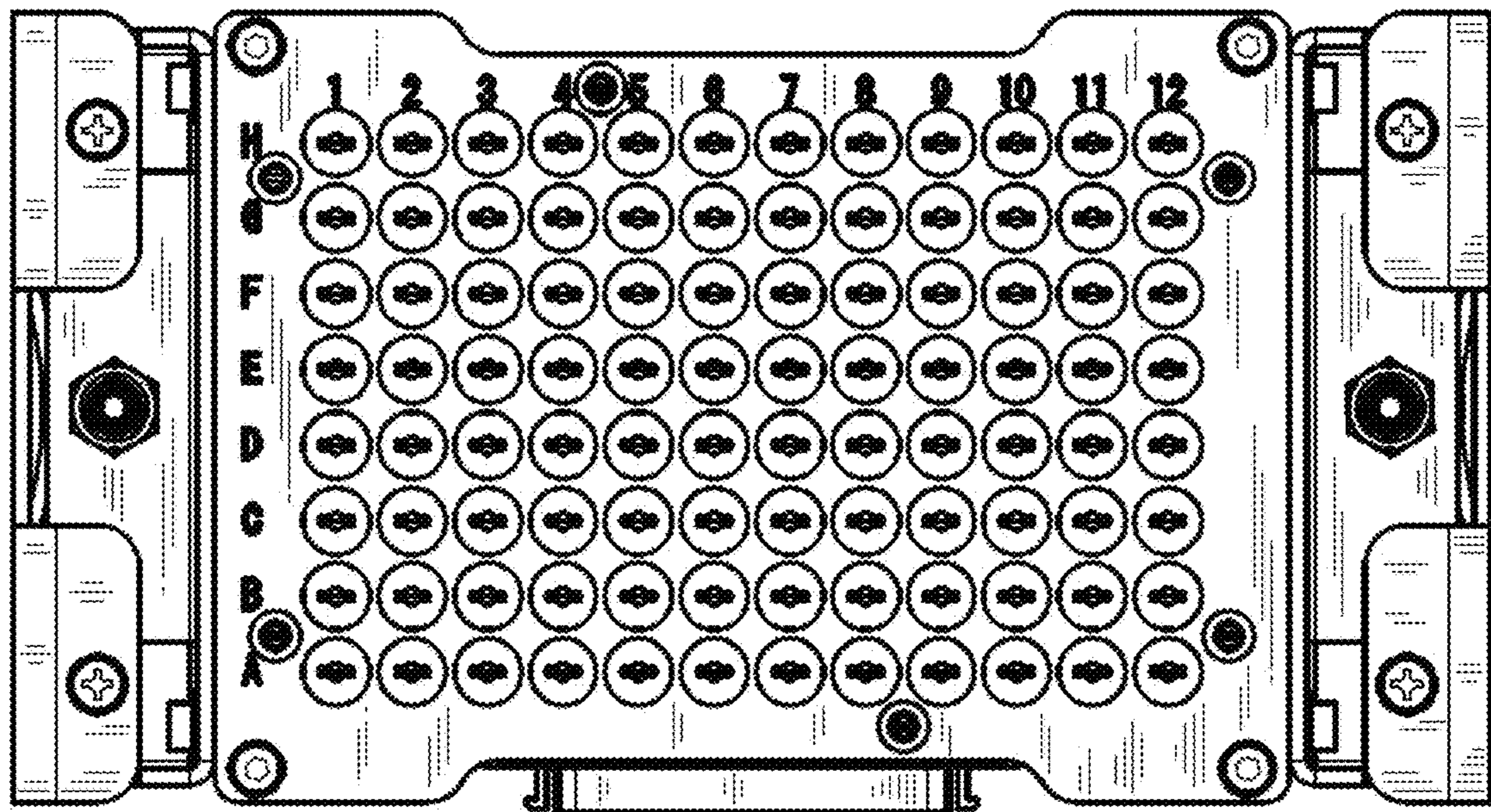


FIG. 8