



US00D814042S

(12) **United States Design Patent**  
**Chan et al.**

(10) **Patent No.:** **US D814,042 S**  
(45) **Date of Patent:** **\*\* Mar. 27, 2018**

- (54) **VITAL SIGN INSTRUMENT**
- (71) Applicants: **Eugene Y. Chan**, Boston, MA (US);  
**Marcus Atkin**, Derby (GB)
- (72) Inventors: **Eugene Y. Chan**, Boston, MA (US);  
**Marcus Atkin**, Derby (GB)
- (73) Assignee: **DNA Medicine Institute, Inc.**,  
Cambridge, MA (US)
- (\*\*) Term: **14 Years**
- (21) Appl. No.: **29/525,616**
- (22) Filed: **Apr. 30, 2015**
- (51) **LOC (11) Cl.** ..... **24-02**
- (52) **U.S. Cl.**  
USPC ..... **D24/186**
- (58) **Field of Classification Search**  
USPC ..... D24/165–168, 186, 187, 107, 231;  
D10/70, 75, 98  
CPC ... A61B 5/6815; A61B 5/6816; A61B 5/6824;  
A61B 5/6831; A61B 5/6832; A61B  
5/02405; A61B 5/02411; A61B 5/02427;  
A61B 5/02438; A61B 2562/164  
See application file for complete search history.

- D693,927 S \* 11/2013 Wilson ..... D24/167
- D717,674 S \* 11/2014 Vu ..... D10/70
- D739,942 S \* 9/2015 Pernu ..... D24/167
- D739,948 S \* 9/2015 Purfey ..... D24/187
- D751,937 S \* 3/2016 Treadwell ..... D10/106.6
- D752,457 S \* 3/2016 So ..... D10/70
- D757,275 S \* 5/2016 Lee ..... D24/187
- 2006/0004281 A1 \* 1/2006 Saracen ..... A61B 5/1127  
600/414
- 2015/0297137 A1 \* 10/2015 Welch ..... A61B 5/6828  
600/344

\* cited by examiner

*Primary Examiner* — Anhdao Doan

(74) *Attorney, Agent, or Firm* — Danielson Legal LLC

(56) **References Cited**  
U.S. PATENT DOCUMENTS

- D603,521 S \* 11/2009 Lindberg ..... D24/187
- D607,347 S \* 1/2010 Goh ..... D10/81

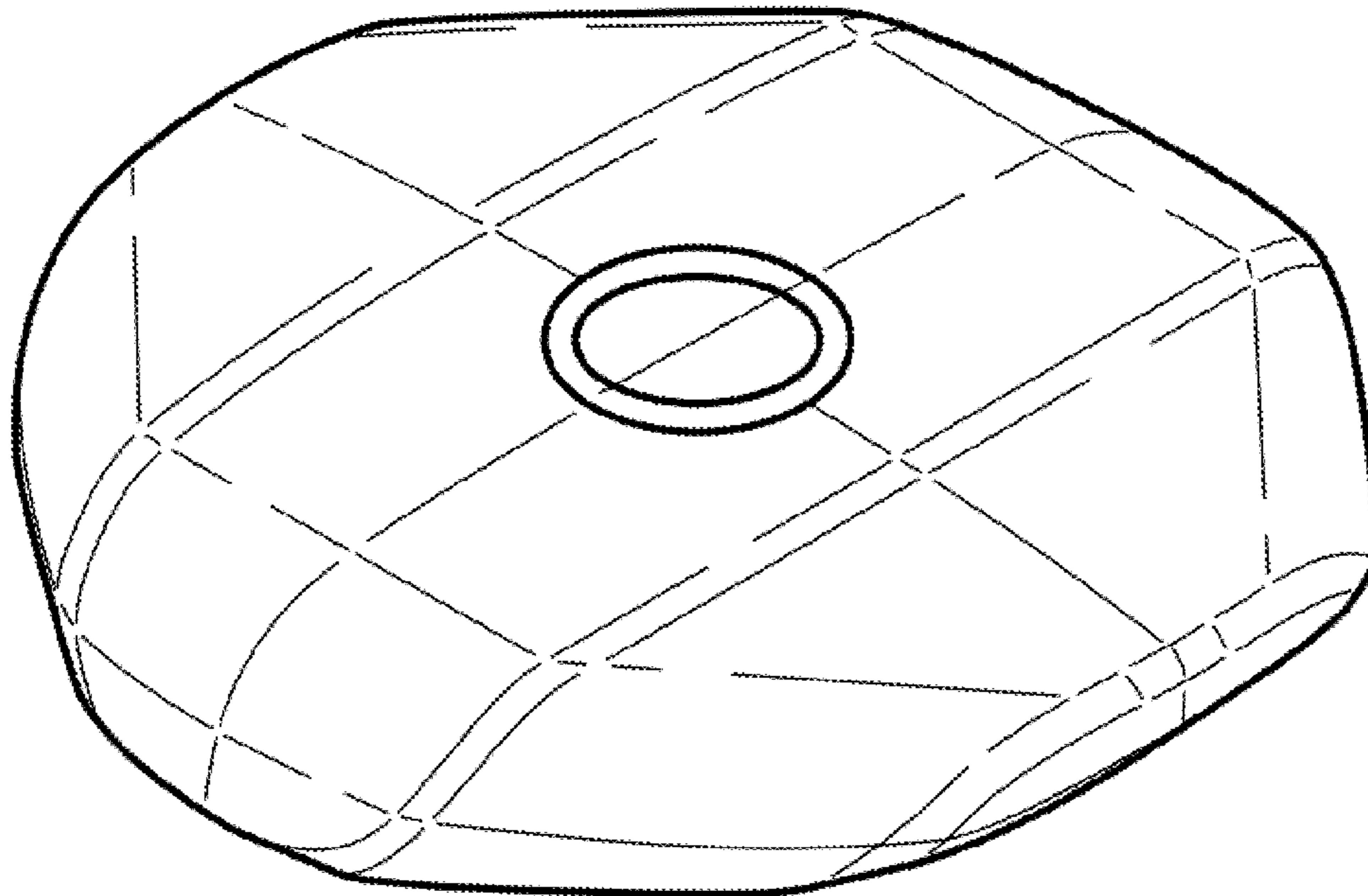
(57) **CLAIM**

The ornamental design for a vital sign instrument, substantially as shown and described.

**DESCRIPTION**

- FIG. 1 is a top view of a vital sign instrument;
- FIG. 2 is top isometric view thereof;
- FIG. 3 is a side view thereof;
- FIG. 4 is a bottom view thereof;
- FIG. 5 is a top, side perspective view thereof; and,
- FIG. 6 is a bottom, side perspective view thereof.

**1 Claim, 2 Drawing Sheets**



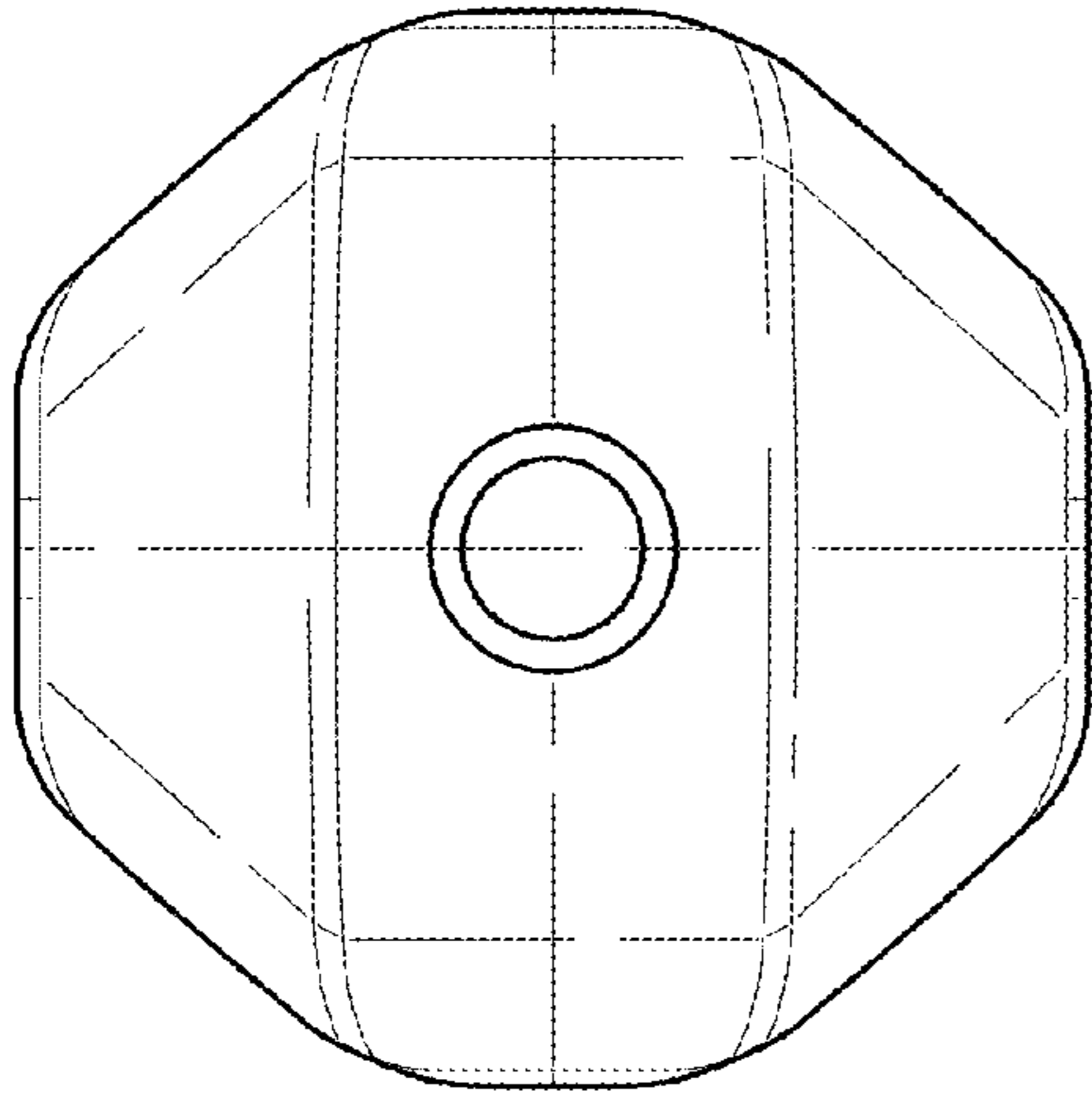


FIG. 1

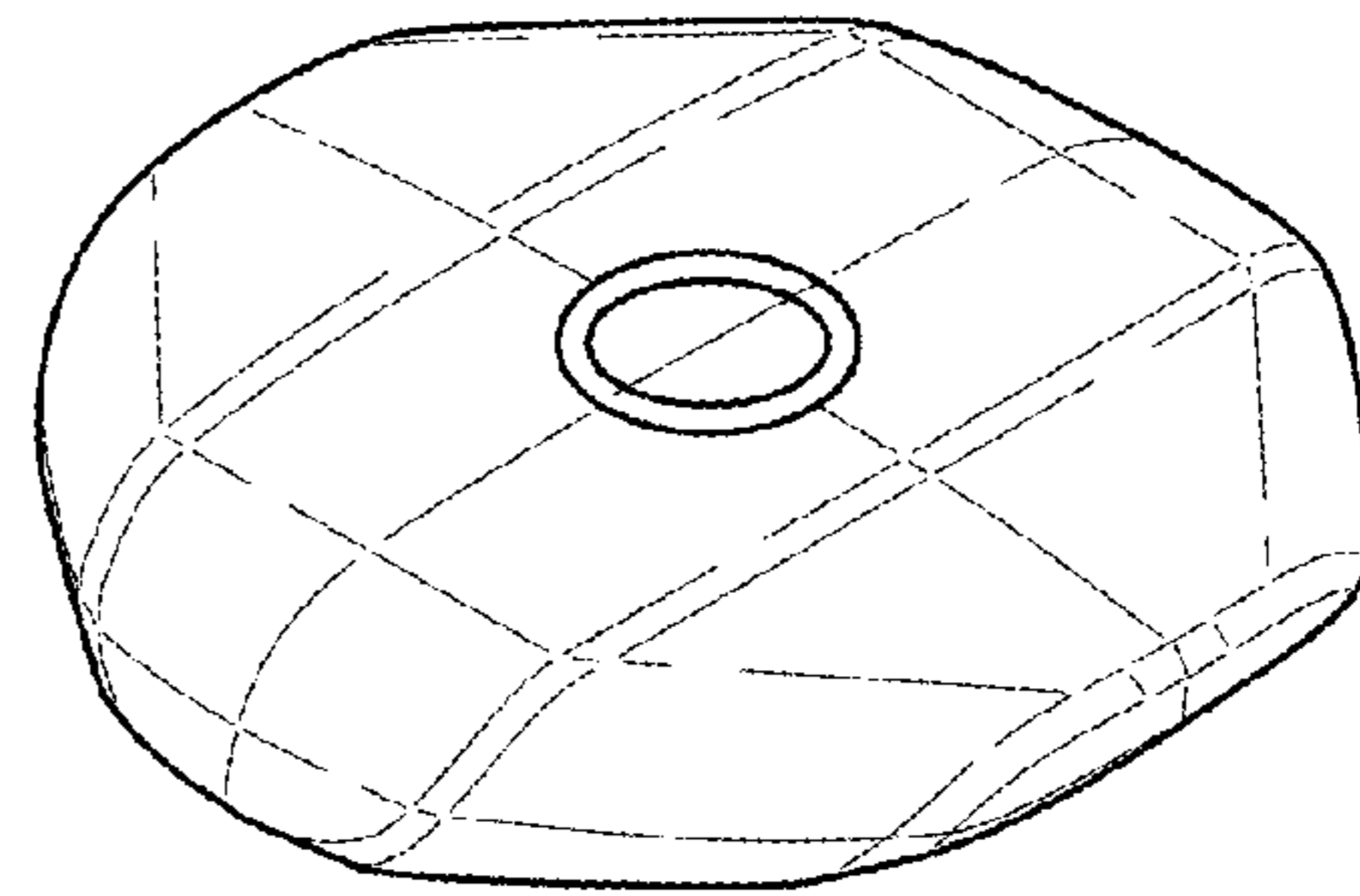


FIG. 2

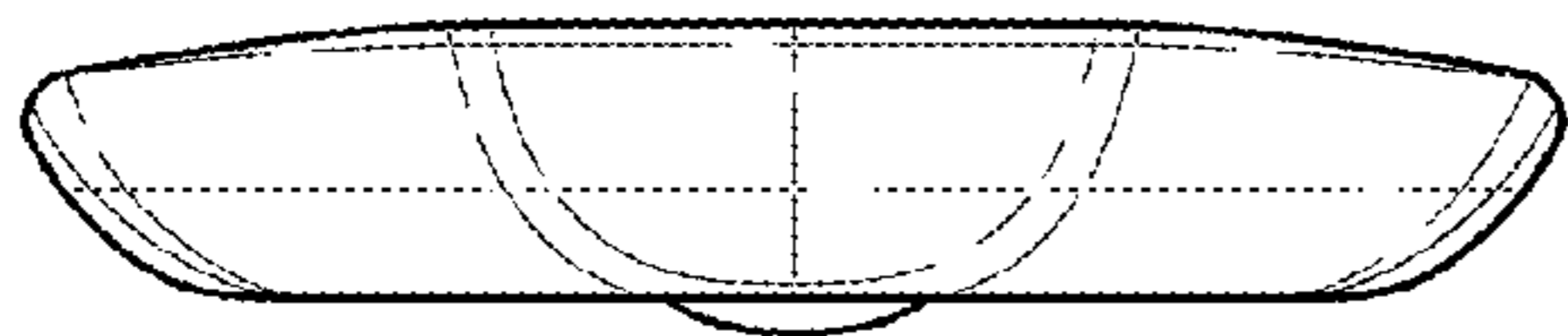


FIG. 3

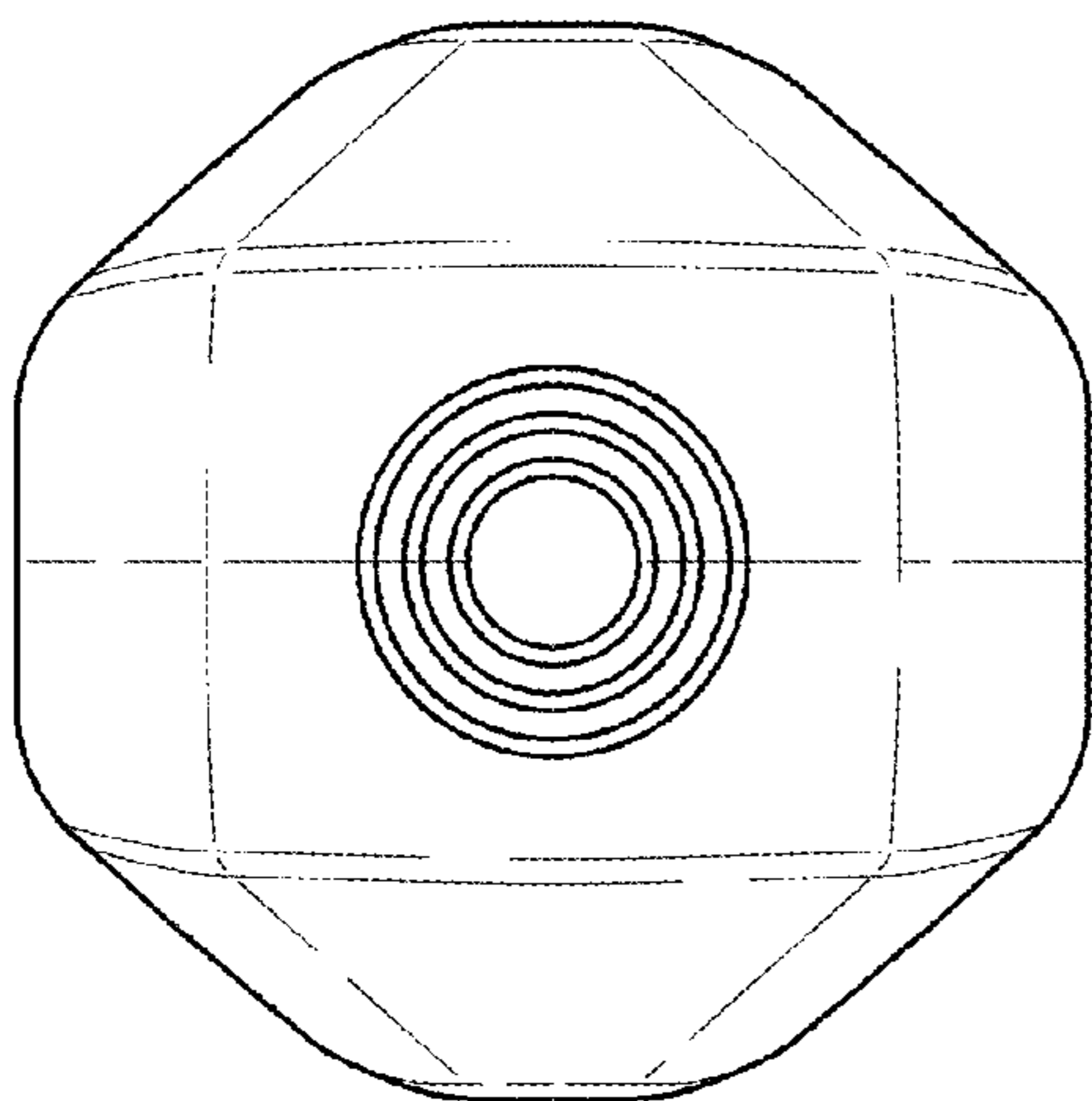


FIG. 4

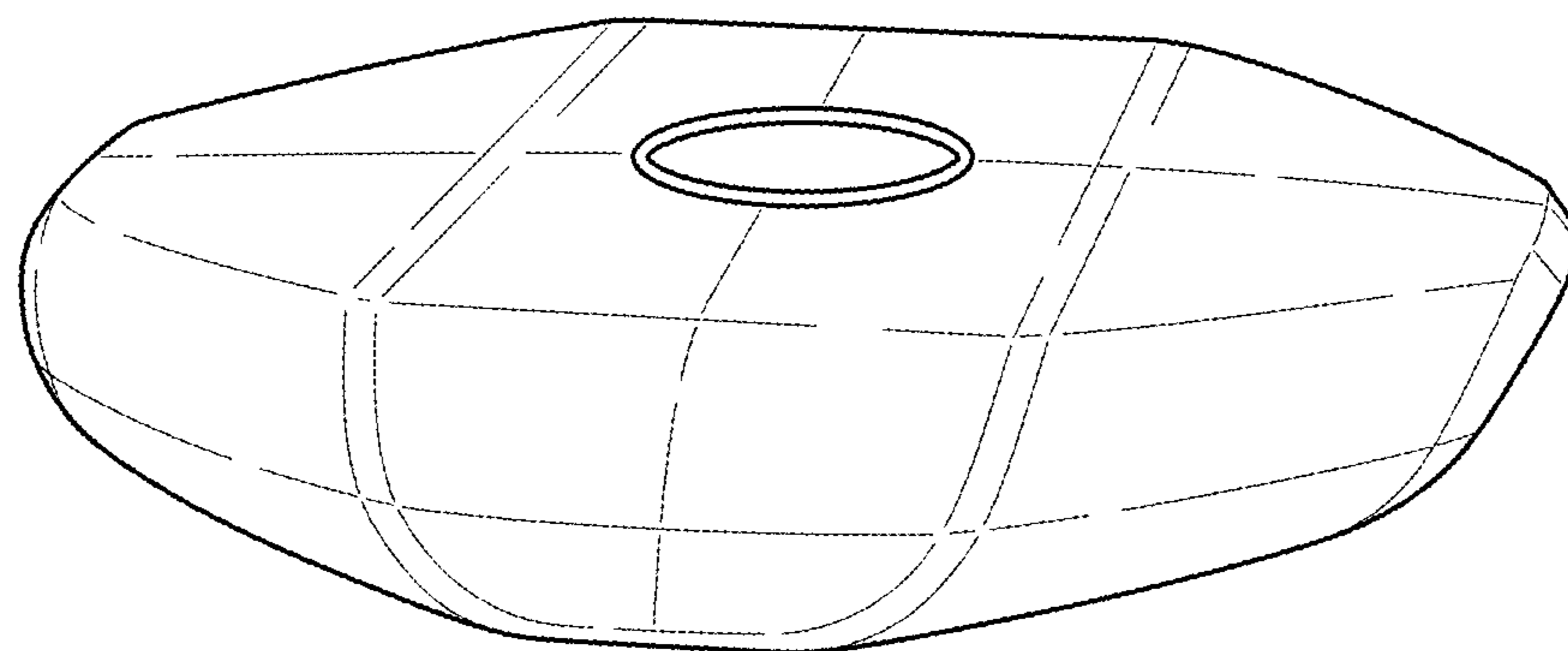


FIG. 5

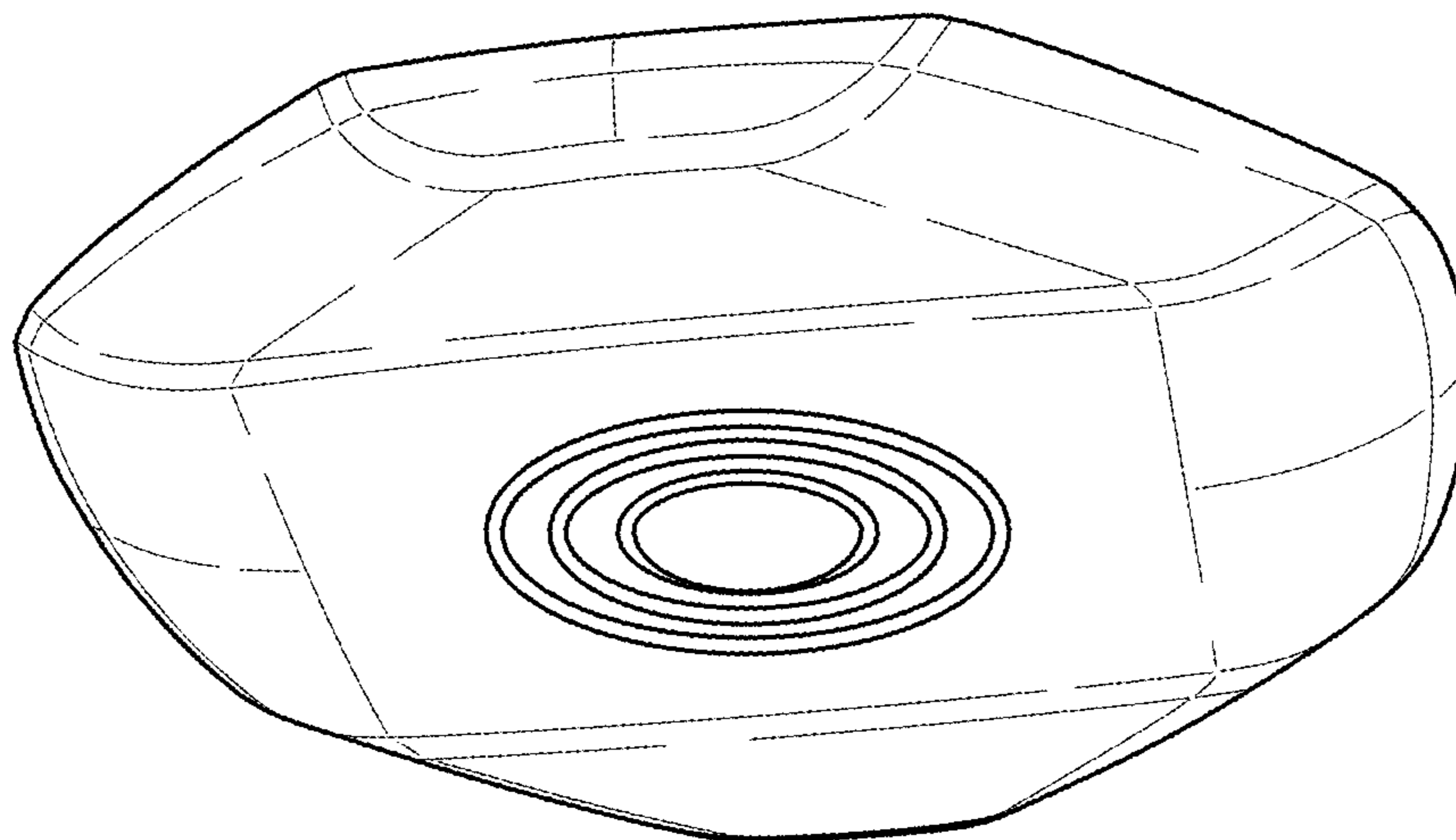


FIG. 6