



US00D814037S

(12) **United States Design Patent** (10) **Patent No.:** **US D814,037 S**  
**DaCosta et al.** (45) **Date of Patent:** **\*\* Mar. 27, 2018**

(54) **SPACER WEDGE**  
(71) Applicant: **PARAGON 28, INC.**, Englewood, CO (US)  
(72) Inventors: **Albert DaCosta**, Lone Tree, CO (US); **Benjamin Majors**, Englewood, CO (US)  
(73) Assignee: **PARAGON 28, INC.**, Englewood, CO (US)

8,357,167 B2 \* 1/2013 Errico ..... A61F 2/442 606/90  
D691,272 S \* 10/2013 Dacosta ..... D24/155  
D720,456 S \* 12/2014 Dacosta ..... D24/155  
D720,457 S \* 12/2014 Bono ..... D24/155  
D767,133 S \* 9/2016 Gotfried ..... D24/155  
9,585,765 B2 \* 3/2017 Niemiec ..... A61F 2/447  
D794,796 S \* 8/2017 Lin ..... D24/155  
2003/0105526 A1 \* 6/2003 Bryant ..... A61F 2/28 623/16.11

(\*\*) Term: **15 Years**

\* cited by examiner

*Primary Examiner* — Charles Hanson  
(74) *Attorney, Agent, or Firm* — Heslin Rothenberg Farley & Mesiti P.C.

(21) Appl. No.: **29/591,158**

(22) Filed: **Jan. 17, 2017**

(57) **CLAIM**

(51) **LOC (11) Cl.** ..... **24-02**

The ornamental design for a spacer wedge, as shown and described.

(52) **U.S. Cl.**

USPC ..... **D24/155**

(58) **Field of Classification Search**

**DESCRIPTION**

USPC ..... D24/155-157  
CPC ..... A61F 2/4611; A61F 2/442; A61F 2/447; A61F 2220/0025; A61F 2310/00023; A61F 2310/00017; A61F 2002/4475; A61F 2002/30841; A61F 2002/2835; A61F 2002/30904; A61F 2002/30785; A61F 2002/443; A61F 2002/30578  
See application file for complete search history.

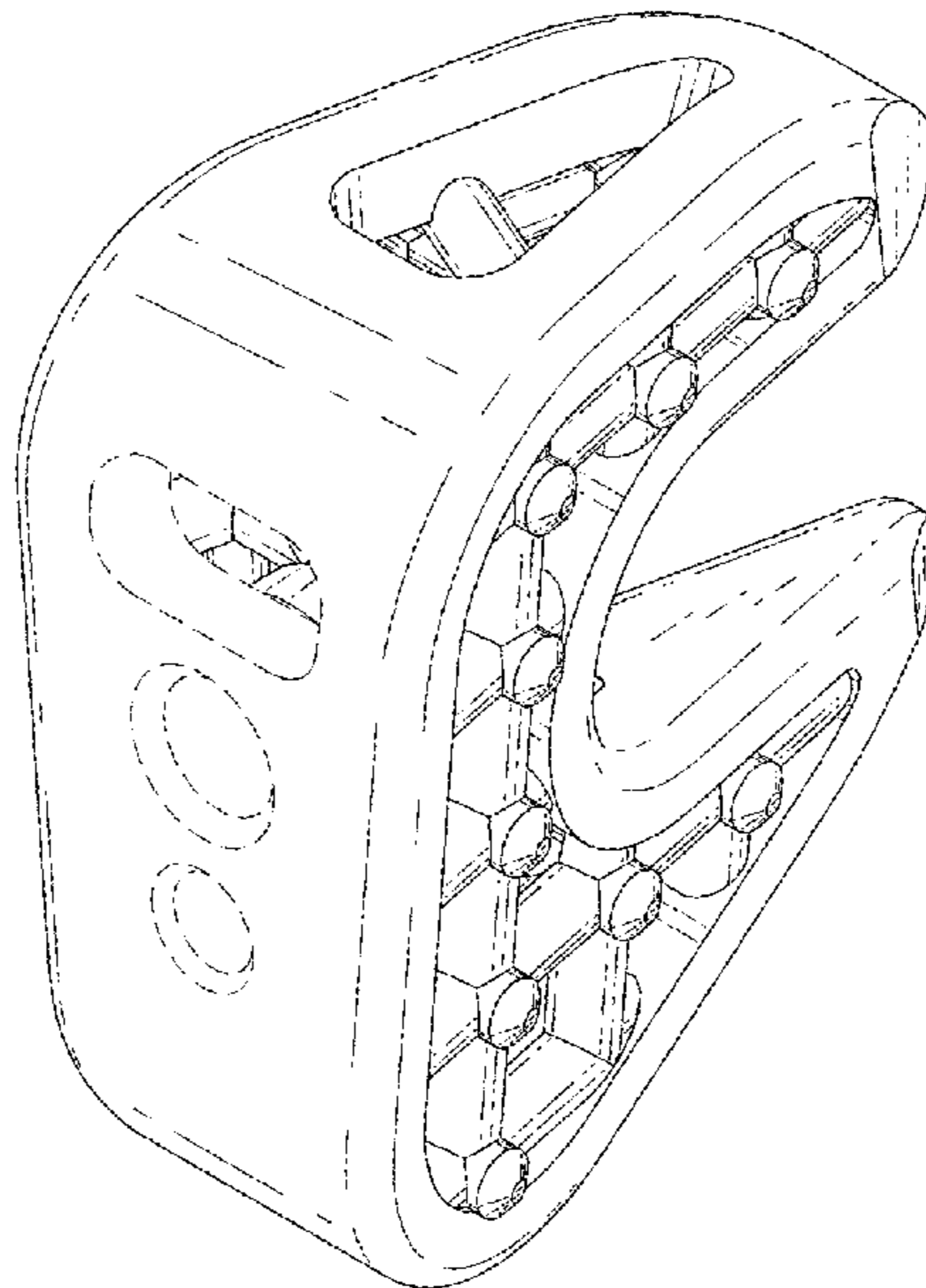
FIG. 1 is a left perspective view of the spacer wedge comprising the new design;  
FIG. 2 is a back perspective view of the design of FIG. 1;  
FIG. 3 is a front elevational view of the design of FIG. 1, where the back side elevational view is a mirror image thereof;  
FIG. 4 is a left elevational view of the design of FIG. 1;  
FIG. 5 is a right elevational view of the design of FIG. 1;  
FIG. 6 is a top view of the design of FIG. 1; and,  
FIG. 7 is a bottom view of the design of FIG. 1.  
The broken lines in the figures are directed to the environment and are for illustrative purposes only; the broken lines form no part of the claimed design.  
The relative light, unevenly broken lines represent contour, not surface decoration.

(56) **References Cited**

**U.S. PATENT DOCUMENTS**

4,863,477 A \* 9/1989 Monson ..... A61F 2/441 623/17.12  
6,008,433 A \* 12/1999 Stone ..... A61B 17/68 623/20.14  
6,723,097 B2 \* 4/2004 Fraser ..... A61F 2/4684 606/247

**1 Claim, 3 Drawing Sheets**



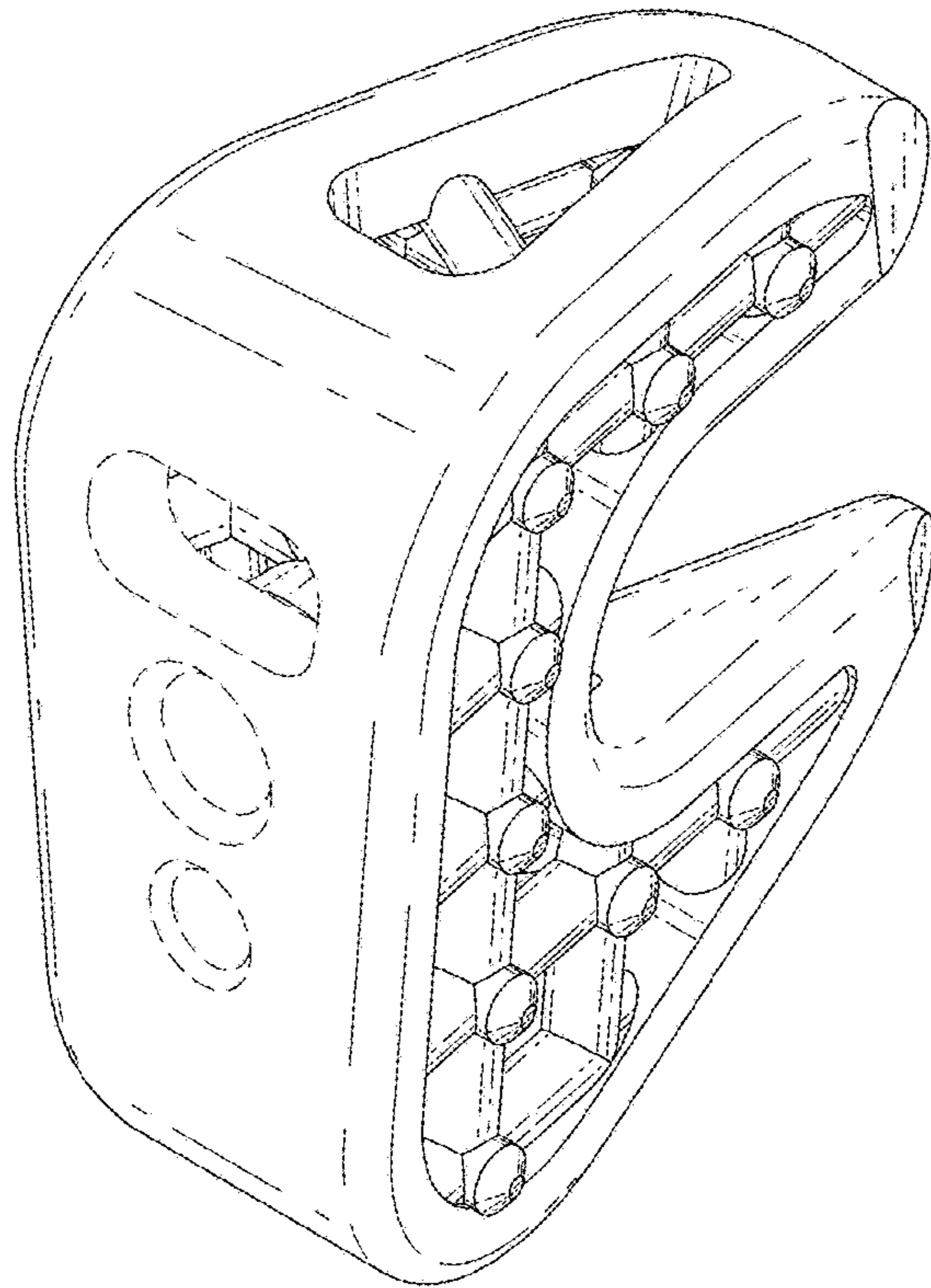


FIG. 1

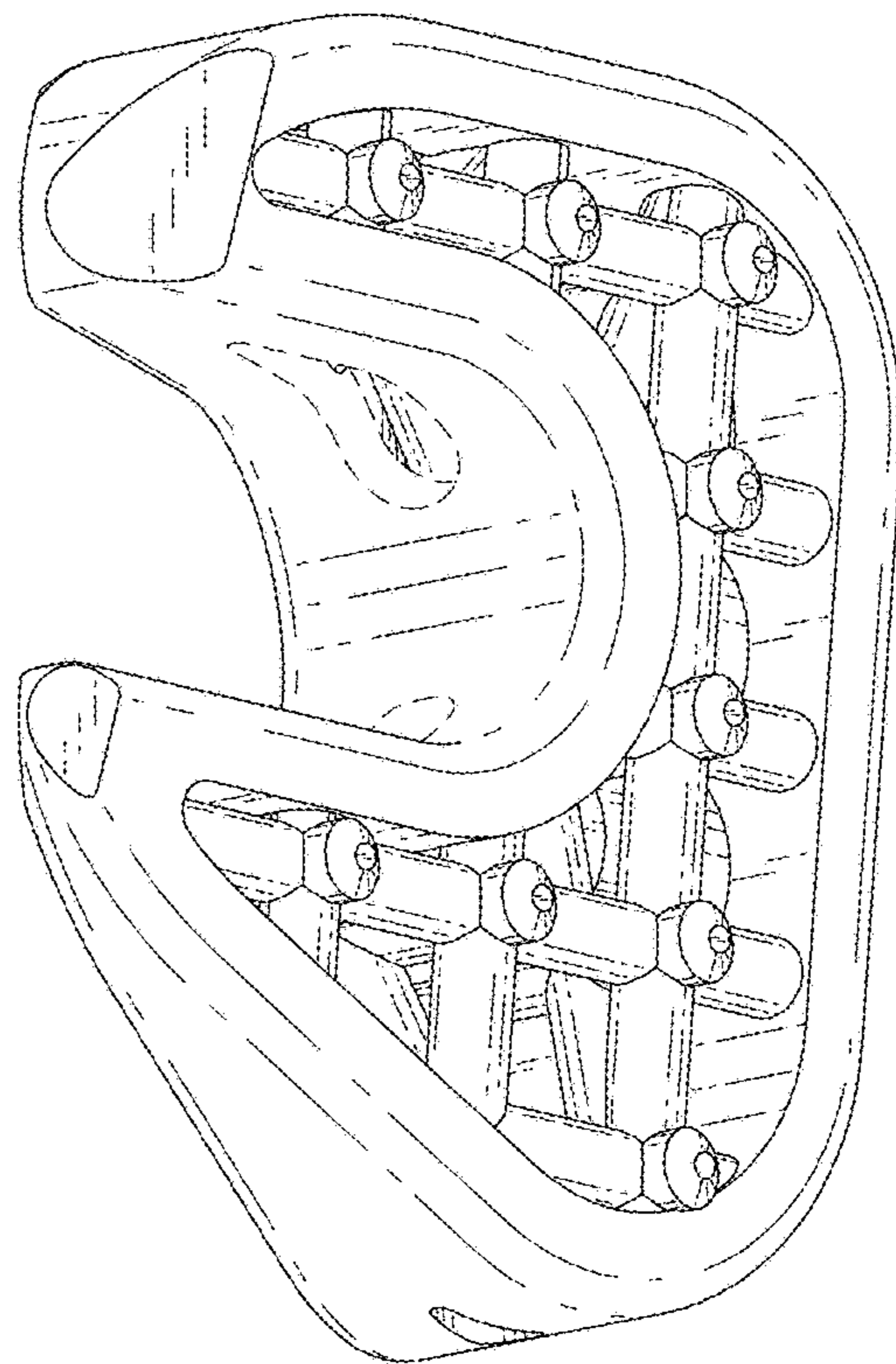


FIG. 2

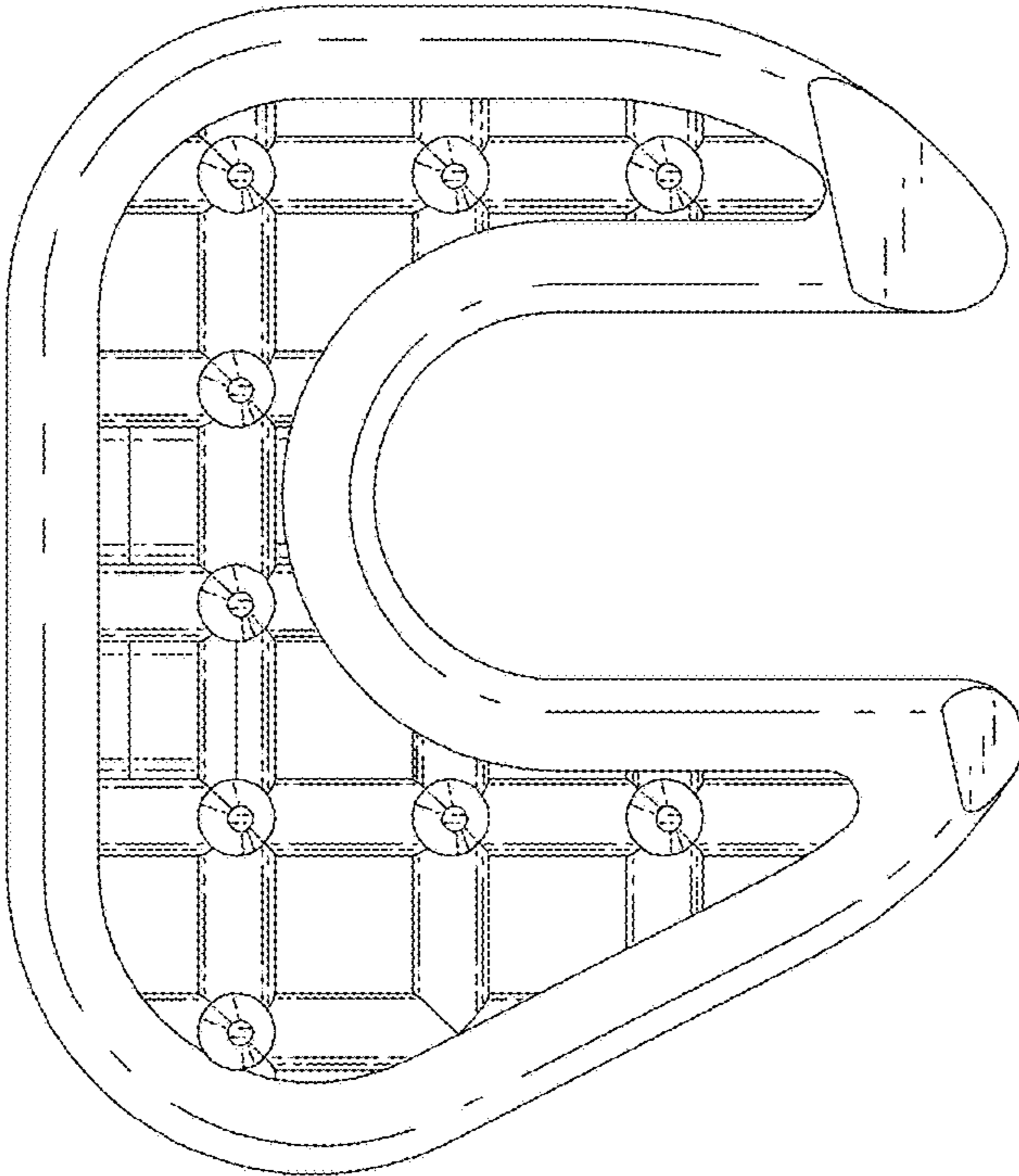


FIG. 3

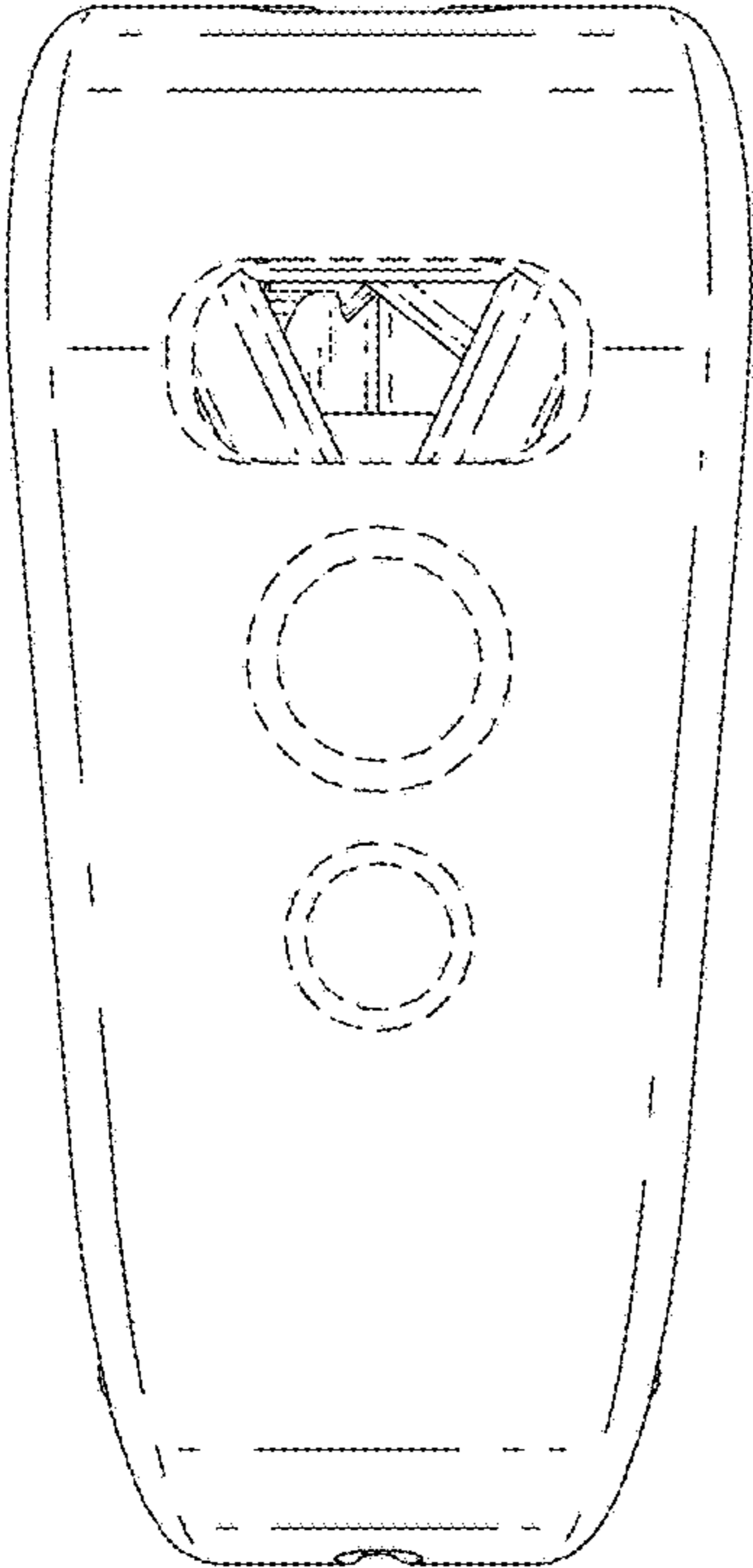


FIG. 4

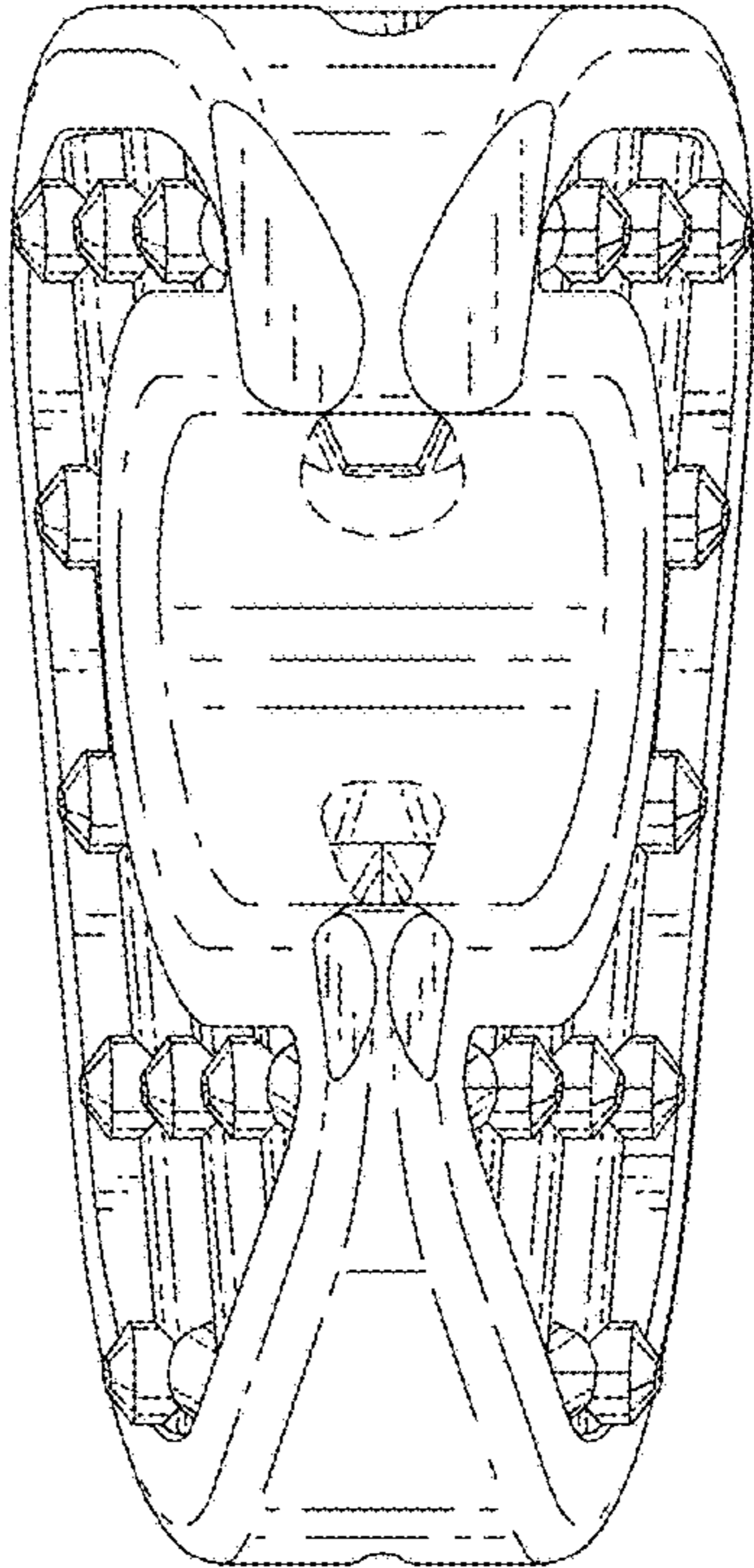


FIG. 5

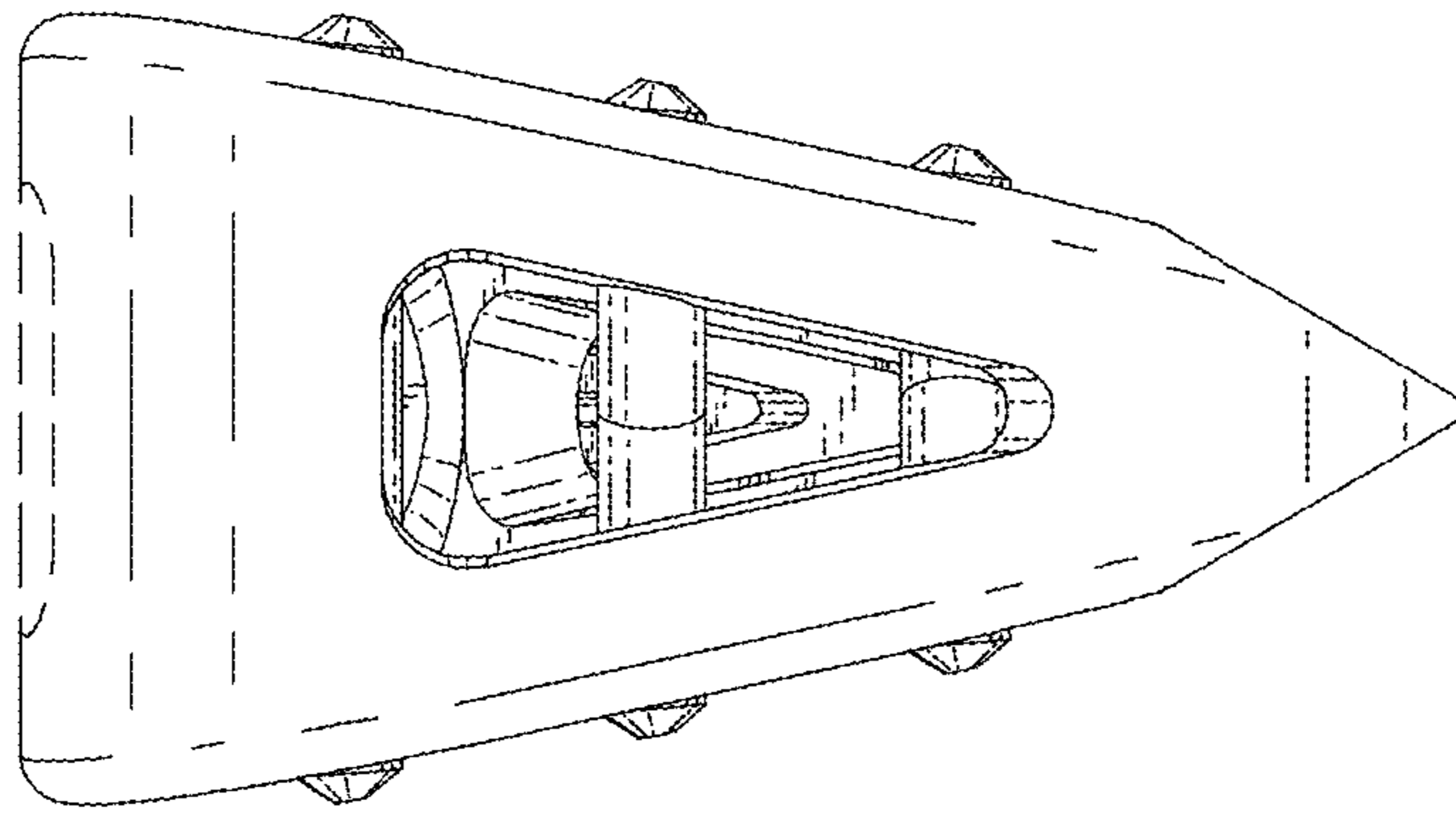


FIG. 6

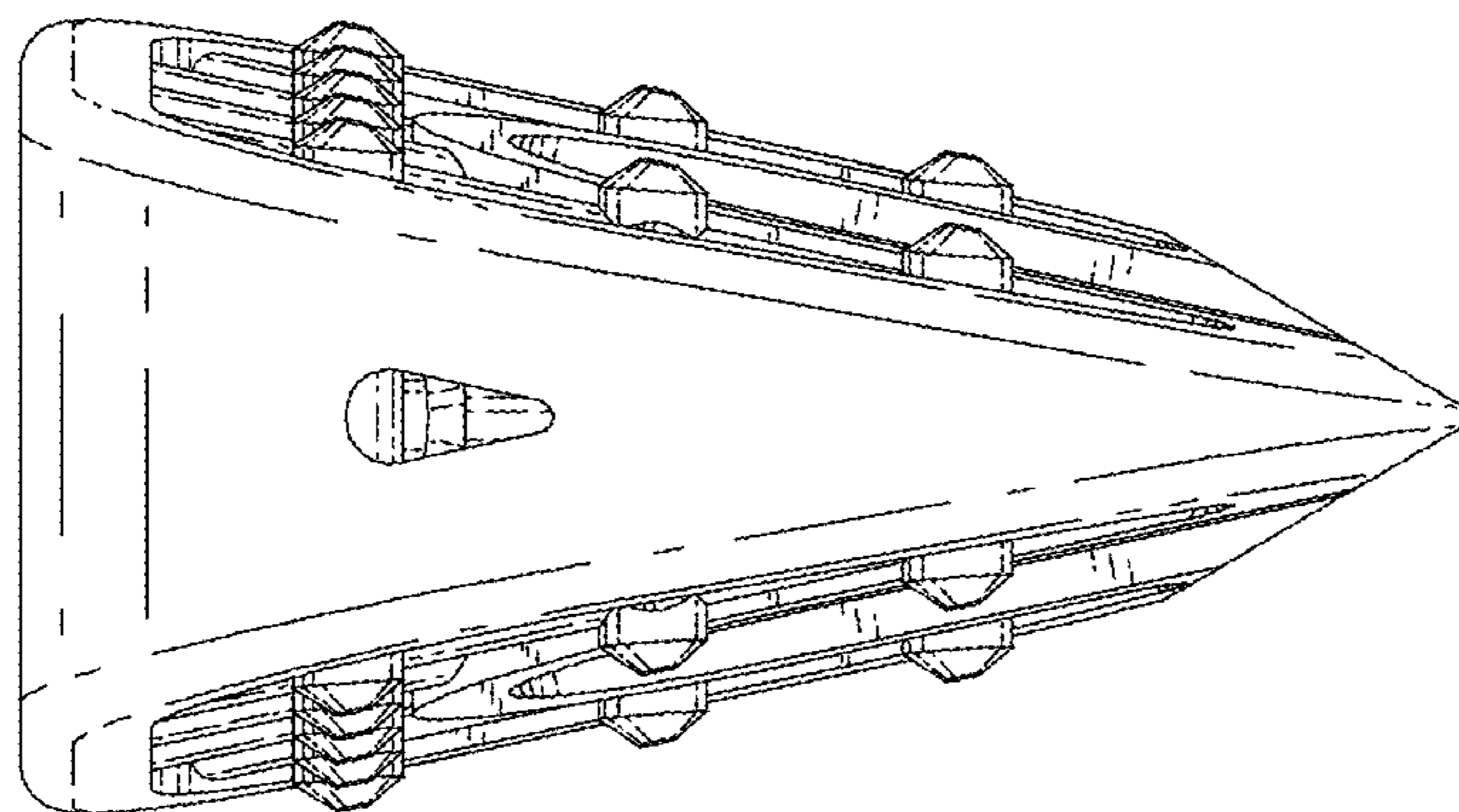


FIG. 7