



US00D814036S

(12) **United States Design Patent** (10) **Patent No.:** **US D814,036 S**
Fuchs et al. (45) **Date of Patent:** **** Mar. 27, 2018**

(54) **TROCAR**

5,895,351 A 4/1999 Nottage et al.
D490,894 S * 6/2004 Bogazzi D24/133
D490,895 S * 6/2004 Bogazzi D24/133
(Continued)

(71) Applicant: **Karl Storz GmbH & Co. KG,**
Tuttlingen (DE)

FOREIGN PATENT DOCUMENTS

(72) Inventors: **Alexander Fuchs,** Tuttlingen (DE);
Sebastian Wagner, Tuttlingen (DE);
Michael Sauer, Tuttlingen (DE);
Martin Oberlaender, Tuttlingen (DE)

DE 91 02 553 U1 5/1991
DE 101 56 312 B4 4/2004
(Continued)

(73) Assignee: **KARL STORZ GmbH & Co. KG,**
Tuttlingen (DE)

OTHER PUBLICATIONS

U.S. Appl. No. 29/591,898, filed Jan. 25, 2017.
(Continued)

(**) Term: **15 Years**

Primary Examiner — Garth Rademaker
Assistant Examiner — Samantha Q. Lawrence
(74) *Attorney, Agent, or Firm* — Muncy, Geissler, Olds &
Lowe, P.C.

(21) Appl. No.: **29/591,903**

(22) Filed: **Jan. 25, 2017**

(30) **Foreign Application Priority Data**

(57) **CLAIM**
The ornamental design for a trocar, as shown and described.

Jul. 26, 2016 (EM) 003319995-0004

(51) **LOC (11) Cl.** **24-02**

(52) **U.S. Cl.**
USPC **D24/147**

(58) **Field of Classification Search**
USPC D24/127, 130, 133, 146, 147, 148;
D8/93, 97, 300, 310, 311, 313; D19/110,
D19/115; D7/649
CPC B26B 3/00; B26B 1/10; A61B 17/089;
A61B 17/1617; A61B 17/3211; A61B
17/3417; A61B 5/1411
See application file for complete search history.

DESCRIPTION

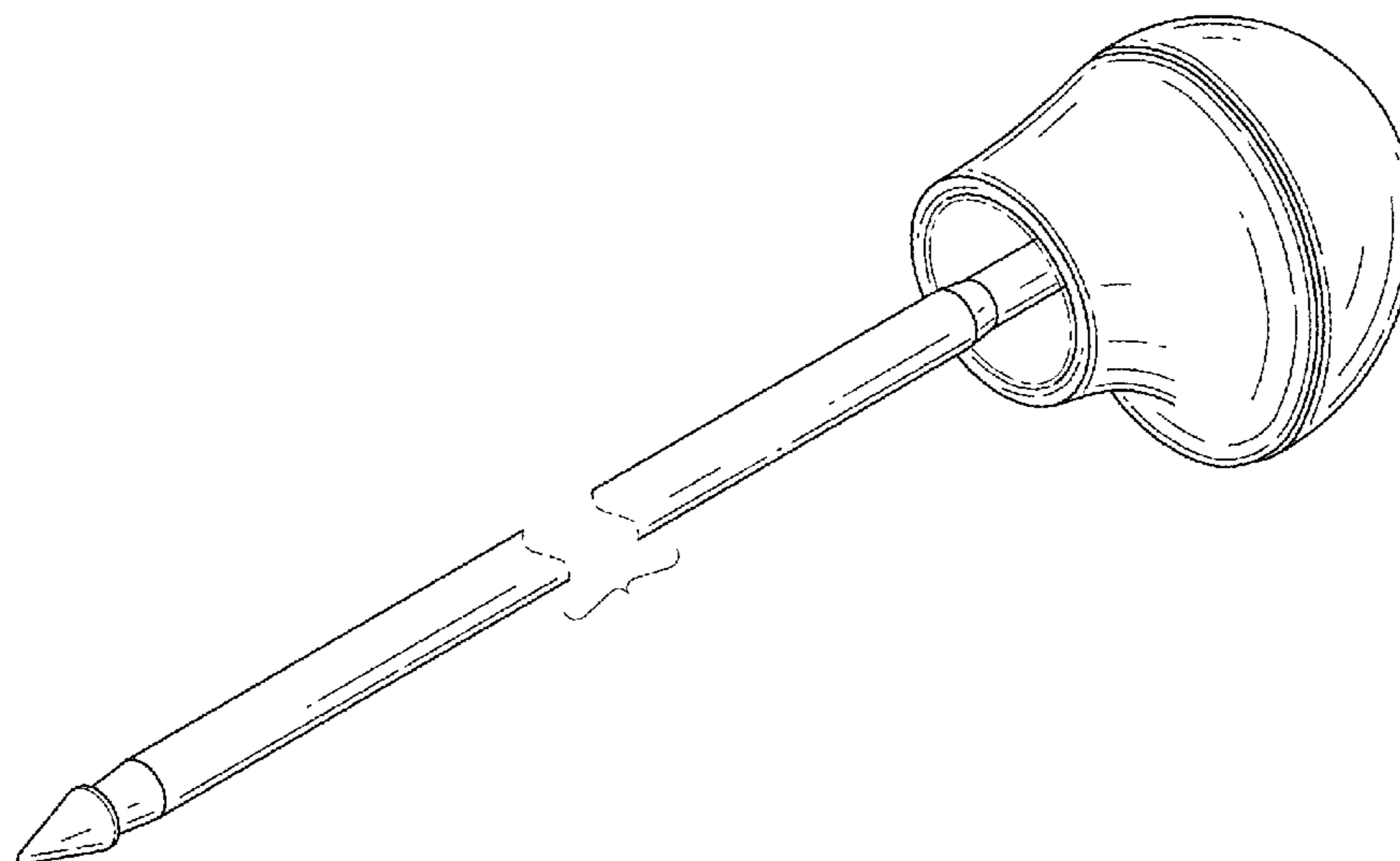
FIG. 1 is a front perspective view of a trocar according to the present invention.
FIG. 2 is a front view of the trocar of FIG. 1.
FIG. 3 is a rear view of the trocar of FIG. 1.
FIG. 4 is a left side view of the trocar of FIG. 1.
FIG. 5 is a right side view of the trocar of FIG. 1.
FIG. 6 is a top view of the trocar of FIG. 1; and,
FIG. 7 is a bottom view of the trocar of FIG. 1.
The broken lines shown in FIGS. 1 and 4-7 in the middle of the trocar illustrate a symbolic break in its length. The appearance of any portion of the article between the break lines forms no part of the claimed design. The broken lines shown in FIG. 2 illustrates portions of the trocar that form no part of the claimed design. The dash dot lines shown in FIGS. 1 and 2 around the edge of the bulb illustrate the boundary of the claimed design and forms no part thereof.

(56) **References Cited**

U.S. PATENT DOCUMENTS

5,290,249 A * 3/1994 Foster A61B 17/34
604/174
5,630,813 A 5/1997 Kieturakis

1 Claim, 7 Drawing Sheets



(56)

References Cited

OTHER PUBLICATIONS

U.S. PATENT DOCUMENTS

D490,896 S *	6/2004	Bogazzi	D24/133
D495,053 S *	8/2004	Laun	D24/146
D497,668 S *	10/2004	Bogazzi	D24/133
D549,330 S *	8/2007	Criscuolo	D24/133
D552,733 S *	10/2007	Criscuolo	D24/133
D680,647 S *	4/2013	Carter	D24/146
D728,099 S *	4/2015	Schad	D24/146
D733,301 S	6/2015	Mueller	
D733,879 S	7/2015	Mueller	
D733,880 S *	7/2015	Mueller	D24/147
D737,444 S	8/2015	Mueller	
D800,307 S *	10/2017	DeNeui	D24/146
2003/0153926 A1	8/2003	Schmieding et al.	
2012/0209205 A1	8/2012	Okihisa et al.	

FOREIGN PATENT DOCUMENTS

EP	2 529 684 A2	12/2012
WO	WO 2013/030682 A1	3/2013

U.S. Appl. No. 29/591,887, filed Jan. 25, 2017.

U.S. Appl. No. 29/591,888, filed Jan. 25, 2017.

U.S. Appl. No. 29/591,875, filed Jan. 25, 2017.

Karl Storz, “Focused on the Essentials—The new trocar generation from Karl Storz” brochure, www.health-made-in-germany.com, pp. 1-4 (Oct. 1, 2015).

Karl Storz, “Highlights 2016— Laparoscopy” brochure, www.karlstorz.com, pp. 1-20, 2016 Edition, Quarter 1 (Jan. 1, 2016).

Karl Storz, “Highlights 2016— Laparoscopy” brochure, www.karlstorz.com, pp. 1-20, 2016 Edition, Quarter 4 (Oct. 1, 2016).

* cited by examiner

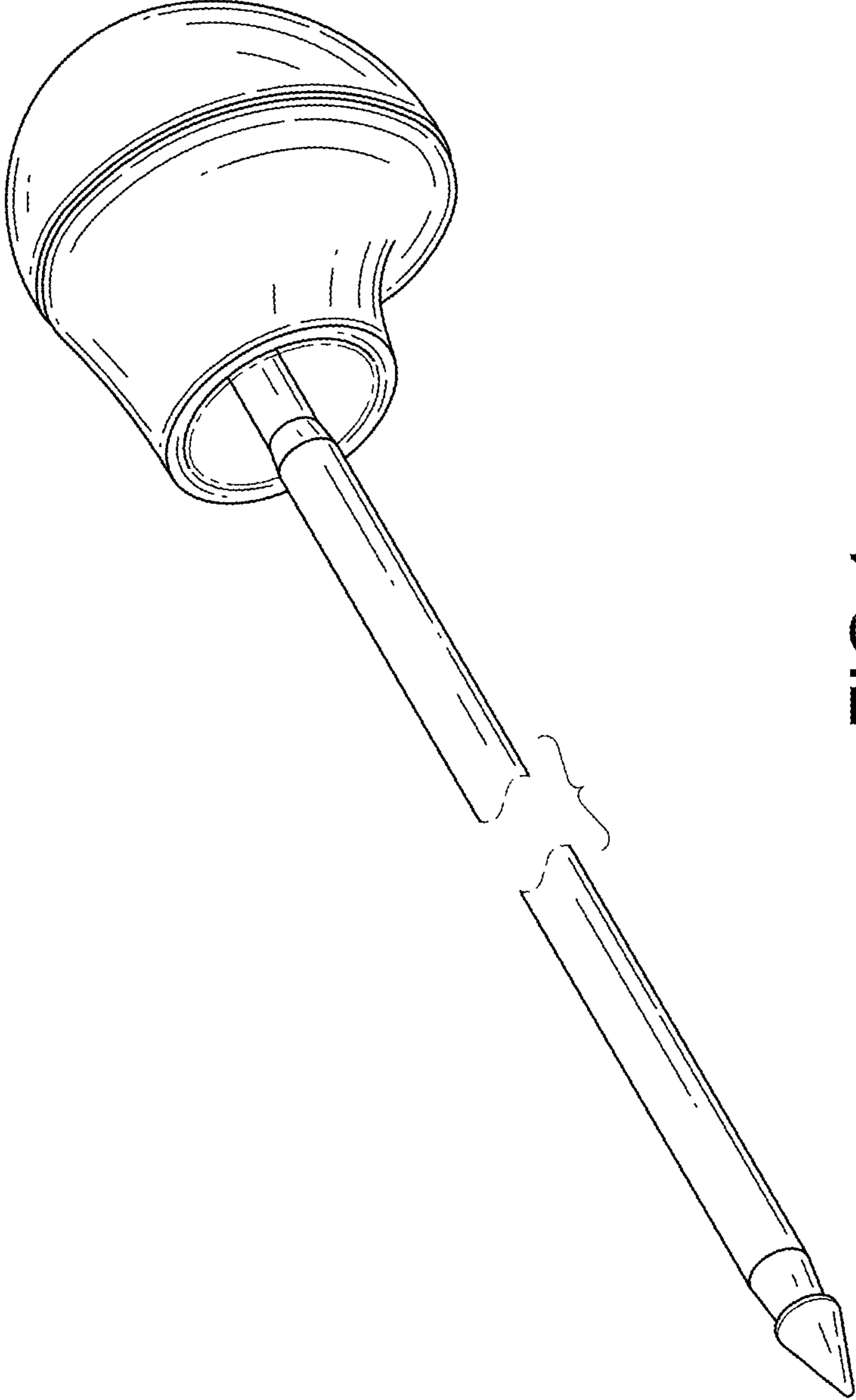


FIG.1

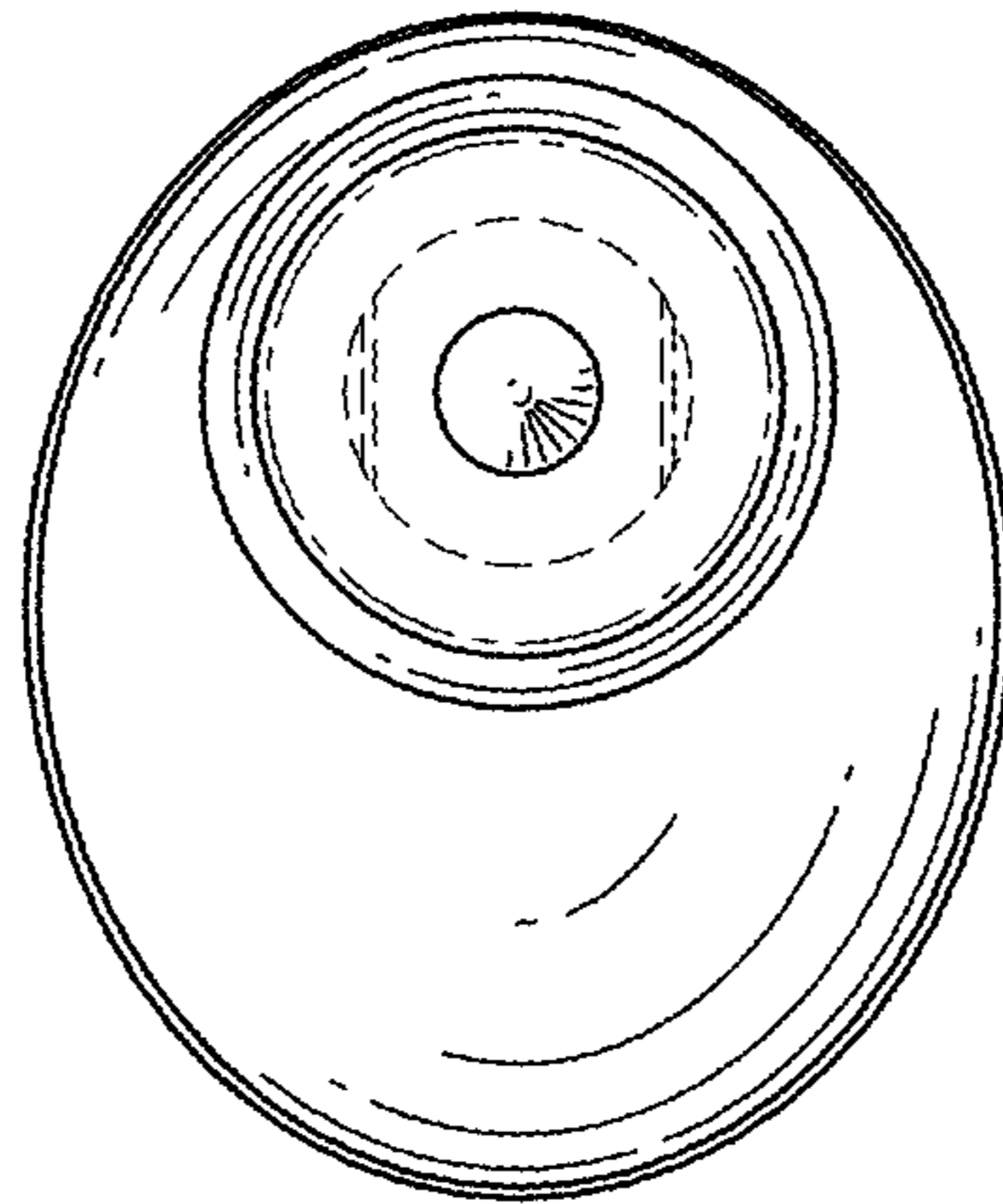


FIG.2

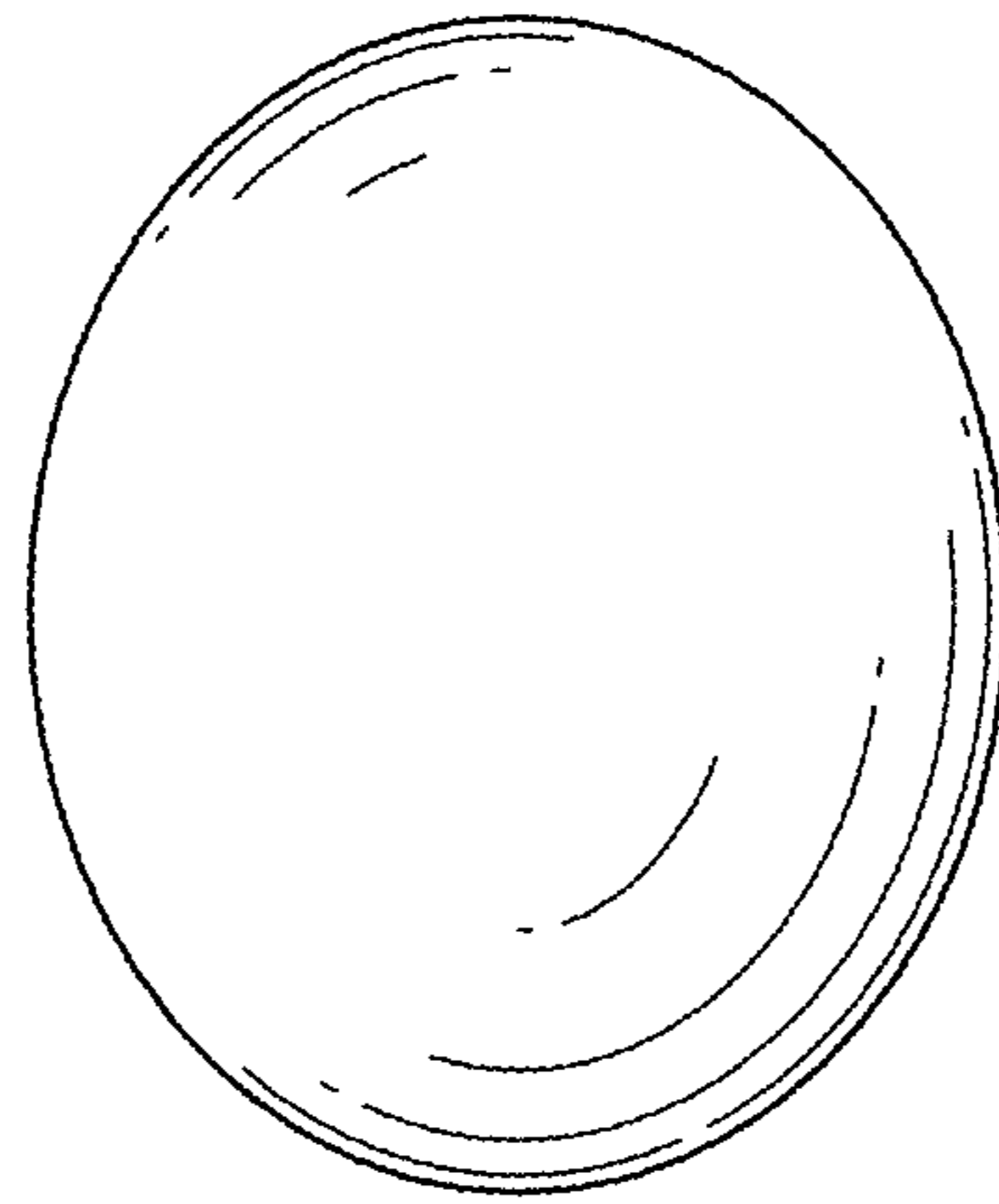


FIG.3

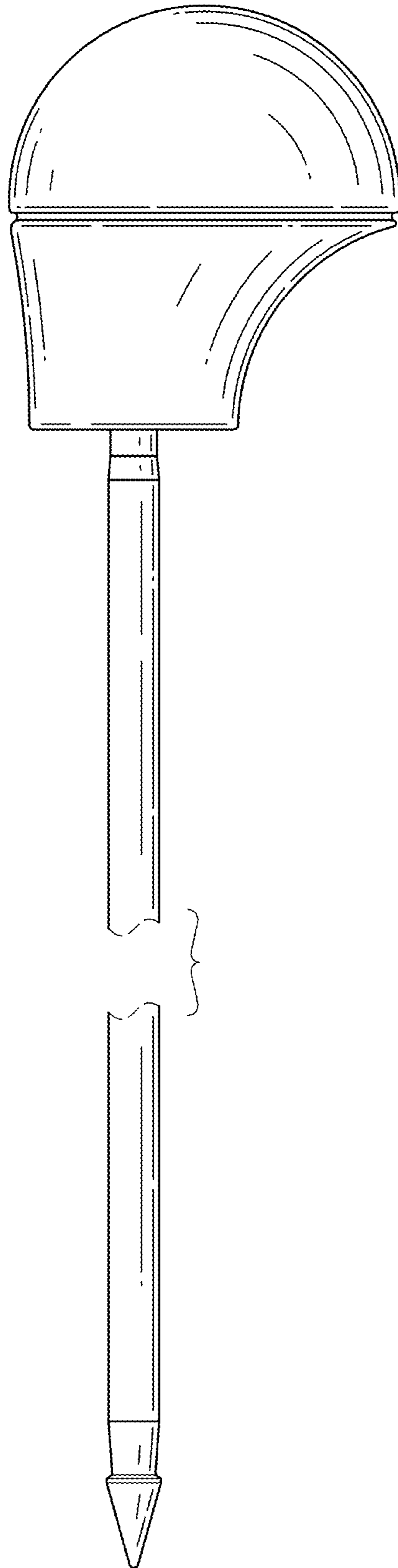


FIG. 4

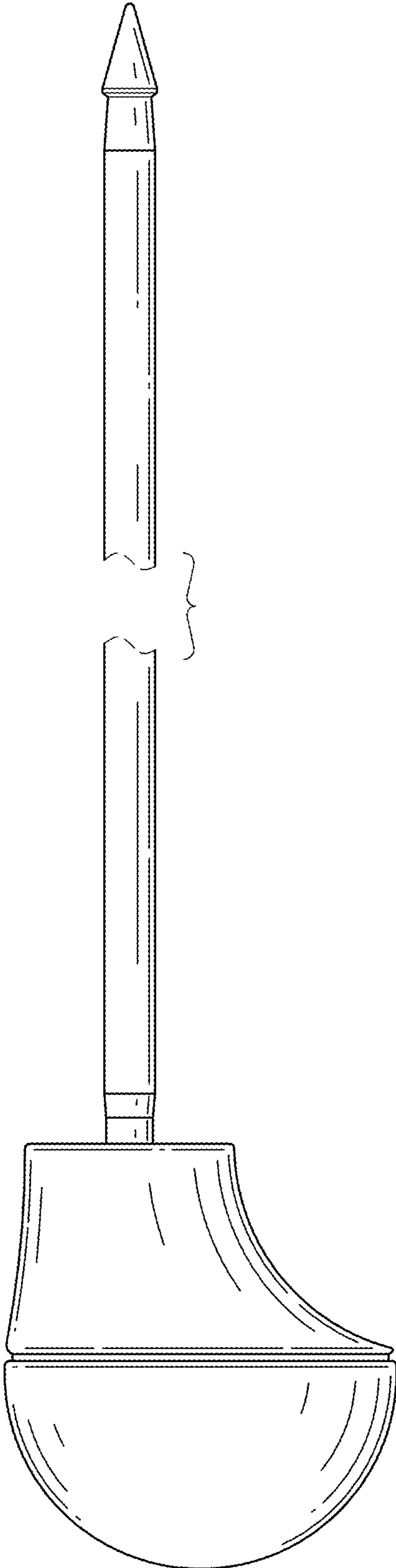


FIG. 5

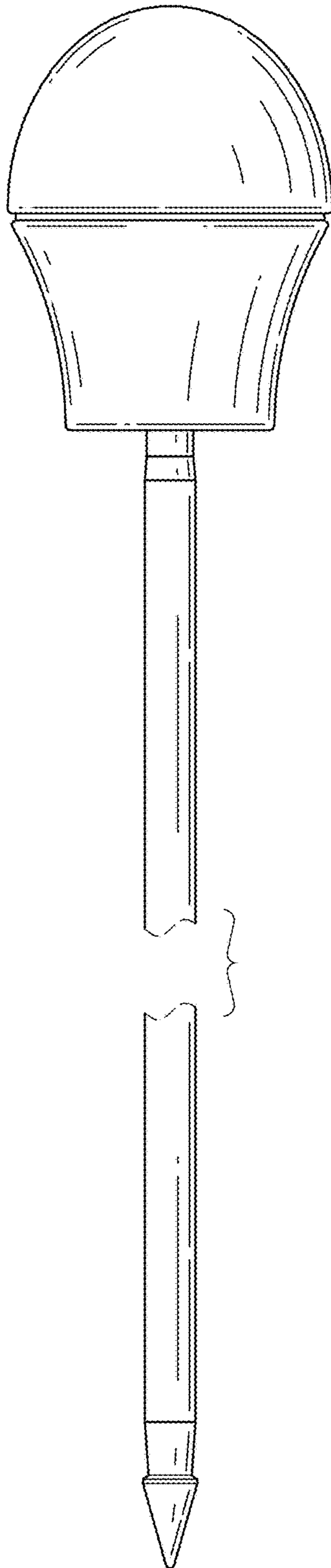


FIG. 6

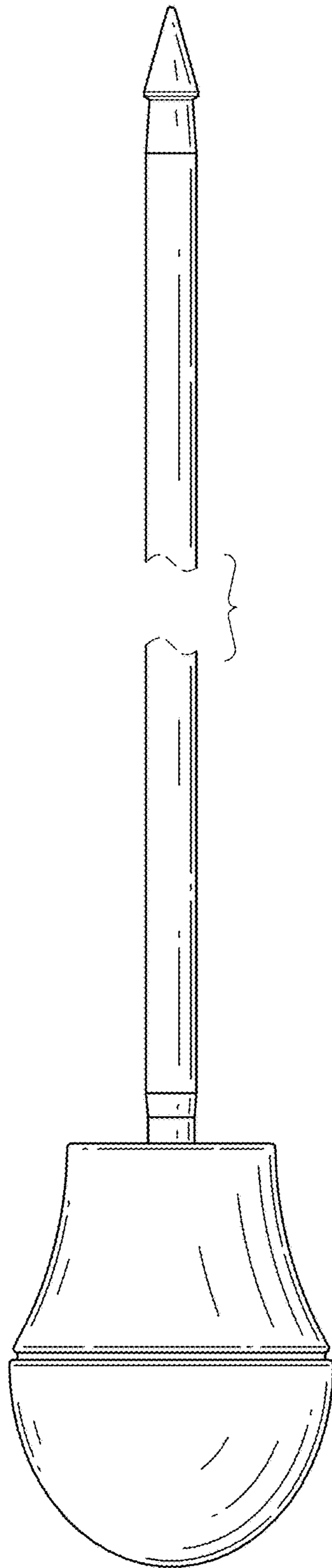


FIG. 7