



US00D814035S

(12) **United States Design Patent**  
**Fuchs et al.**

(10) **Patent No.:** **US D814,035 S**  
(45) **Date of Patent:** **\*\* Mar. 27, 2018**

- (54) **TROCAR**
- (71) Applicant: **Karl Storz GmbH & Co. KG**,  
Tuttlingen (DE)
- (72) Inventors: **Alexander Fuchs**, Tuttlingen (DE);  
**Sebastian Wagner**, Tuttlingen (DE);  
**Michael Sauer**, Tuttlingen (DE);  
**Martin Oberlaender**, Tuttlingen (DE)
- (73) Assignee: **KARL STORZ GmbH & Co. KG**,  
Tuttlingen (DE)

D490,895 S \* 6/2004 Bogazzi ..... D24/133  
 D490,896 S \* 6/2004 Bogazzi ..... D24/133  
 D495,053 S \* 8/2004 Laun ..... D24/146  
 D497,668 S \* 10/2004 Bogazzi ..... D24/133  
 (Continued)

**FOREIGN PATENT DOCUMENTS**

DE 91 02 553 U1 5/1991  
 DE 101 56 312 B4 4/2004  
 (Continued)

**OTHER PUBLICATIONS**

Karl Storz, "Focused on the Essentials—The new trocar generation from Karl Storz" brochure, www.health-made-in-germany.com, pp. 1-4 (Oct. 1, 2015).

(Continued)

*Primary Examiner* — Garth Rademaker  
*Assistant Examiner* — Samantha Q. Lawrence  
 (74) *Attorney, Agent, or Firm* — Muncy, Geissler, Olds & Lowe, P.C.

- (\*\*) Term: **15 Years**
- (21) Appl. No.: **29/591,898**
- (22) Filed: **Jan. 25, 2017**

(30) **Foreign Application Priority Data**

Jul. 26, 2016 (EM) ..... 003319995-0001

- (51) **LOC (11) Cl.** ..... **24-02**
- (52) **U.S. Cl.**  
USPC ..... **D24/147**
- (58) **Field of Classification Search**  
USPC ..... D24/127, 130, 133, 146, 147, 148;  
D8/93, 97, 300, 310, 311, 313; D19/110,  
D19/115; D7/649  
CPC ..... B26B 3/00; B26B 1/10; A61B 17/089;  
A61B 17/1617; A61B 17/3211; A61B  
17/3417; A61B 5/1411  
See application file for complete search history.

(56) **References Cited**

**U.S. PATENT DOCUMENTS**

5,290,249 A \* 3/1994 Foster ..... A61B 17/34  
604/174  
5,630,813 A 5/1997 Kieturakis  
5,895,351 A 4/1999 Nottage et al.  
D490,894 S \* 6/2004 Bogazzi ..... D24/133

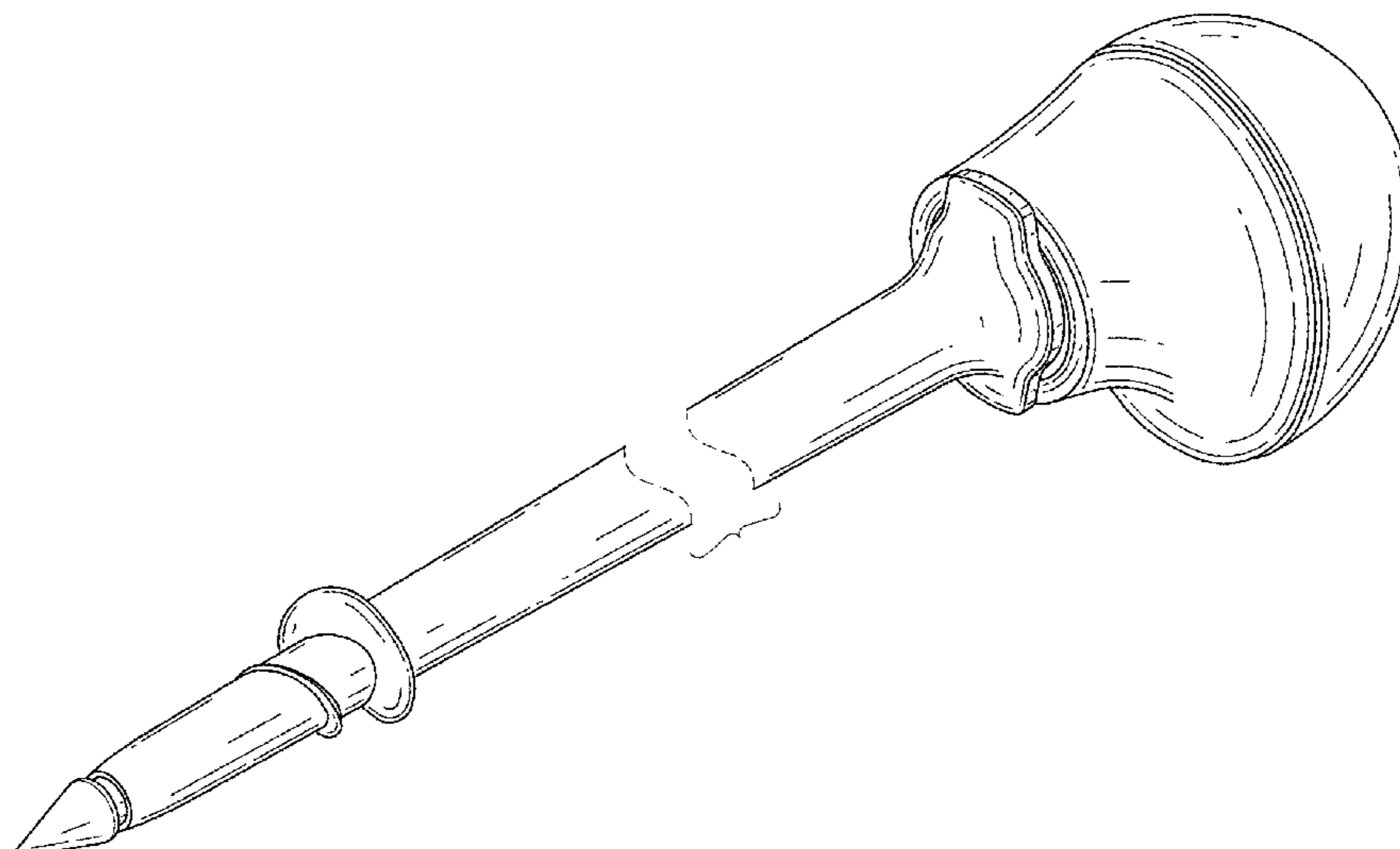
(57) **CLAIM**

The ornamental design for a trocar, as shown and described.

**DESCRIPTION**

FIG. 1 is a front perspective view of a trocar according to the present invention.  
 FIG. 2 is a front view of the trocar of FIG. 1.  
 FIG. 3 is a rear view of the trocar of FIG. 1.  
 FIG. 4 is a left side view of the trocar of FIG. 1.  
 FIG. 5 is a right side view of the trocar of FIG. 1.  
 FIG. 6 is a top view of the trocar of FIG. 1; and,  
 FIG. 7 is a bottom view of the trocar of FIG. 1.  
 The broken lines shown in FIGS. 1 and 4-7 in the middle of the trocar illustrate a symbolic break in its length. The appearance of any portion of the article between the break lines forms no part of the claimed design.

**1 Claim, 7 Drawing Sheets**



(56)

**References Cited**

U.S. PATENT DOCUMENTS

D549,330 S \* 8/2007 Criscuolo ..... D24/133  
D552,733 S \* 10/2007 Criscuolo ..... D24/133  
D680,647 S \* 4/2013 Carter ..... D24/146  
D728,099 S \* 4/2015 Schad ..... D24/146  
D733,301 S 6/2015 Mueller  
D733,879 S 7/2015 Mueller  
D733,880 S \* 7/2015 Mueller ..... D24/147  
D737,444 S 8/2015 Mueller  
D800,307 S \* 10/2017 DeNeui ..... D24/146  
2003/0153926 A1 8/2003 Schmieding et al.  
2012/0209205 A1 8/2012 Okihisa et al.

FOREIGN PATENT DOCUMENTS

EP 2 529 684 A2 12/2012  
WO WO 2013/030682 A1 3/2013

OTHER PUBLICATIONS

Karl Storz, "Highlights 2016—Laparoscopy" brochure, www.karlstorz.com, pp. 1-20, 2016 Edition, Quarter 1 (Jan. 1, 2016).  
Karl Storz, "Highlights 2016—Laparoscopy" brochure, www.karlstorz.com, pp. 1-24, 2016 Edition, Quarter 4 (Oct. 1, 2016).  
U.S. Appl. No. 29/591,887, filed Jan. 25, 2017.  
U.S. Appl. No. 29/591,888, filed Jan. 25, 2017.  
U.S. Appl. No. 29/591,903, filed Jan. 25, 2017.  
U.S. Appl. No. 29/591,875, filed Jan. 25, 2017.

\* cited by examiner

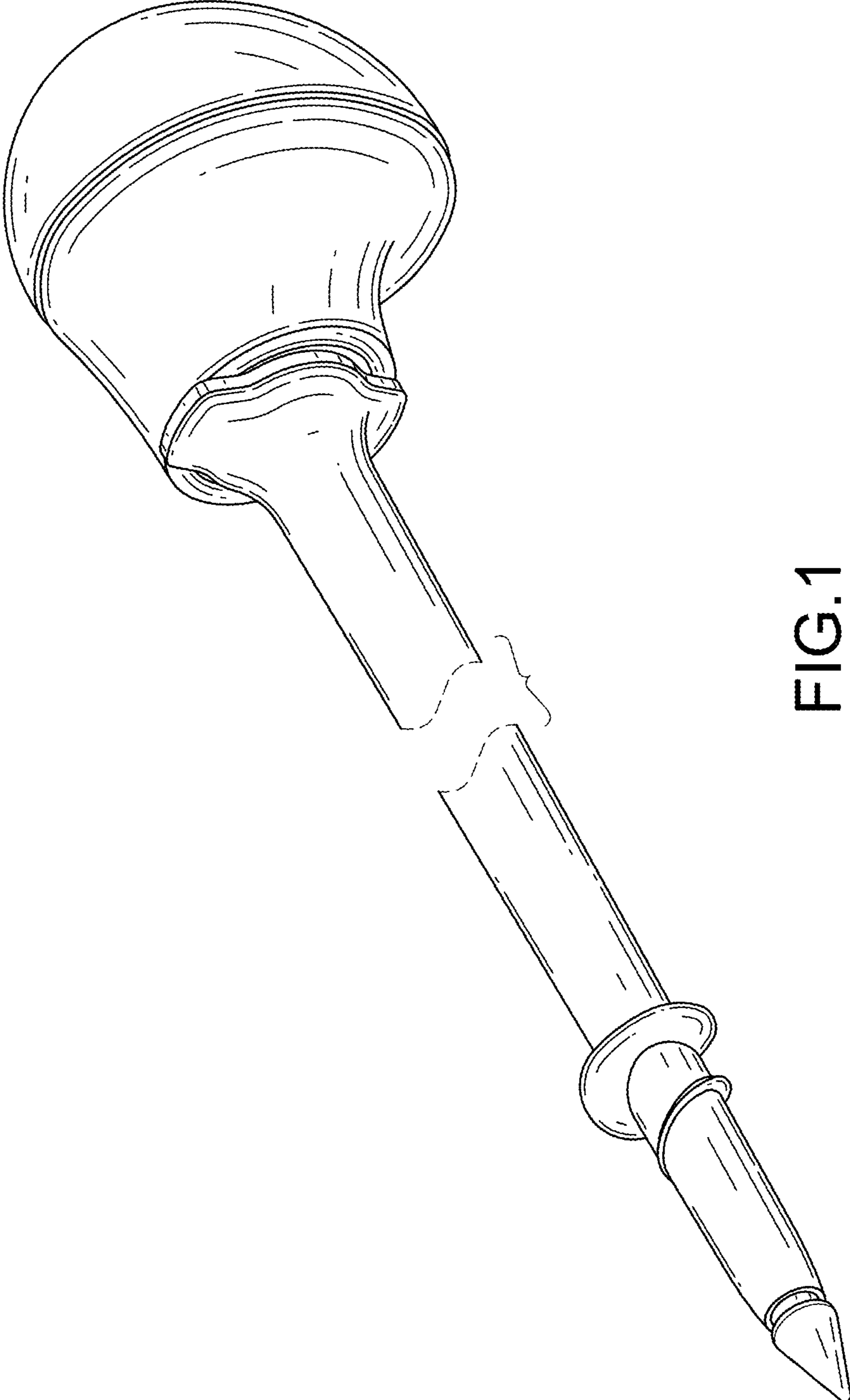


FIG.1

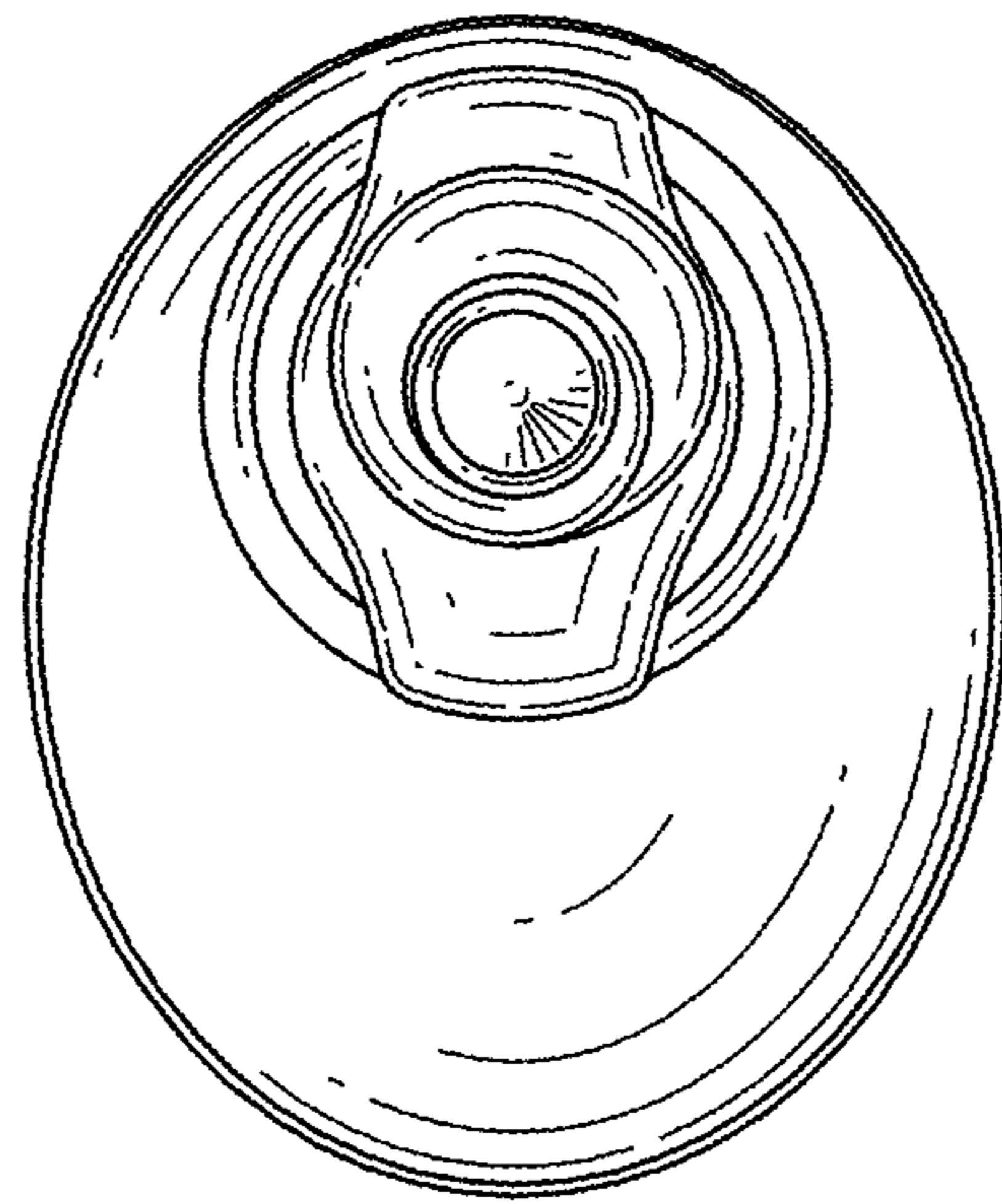


FIG.2

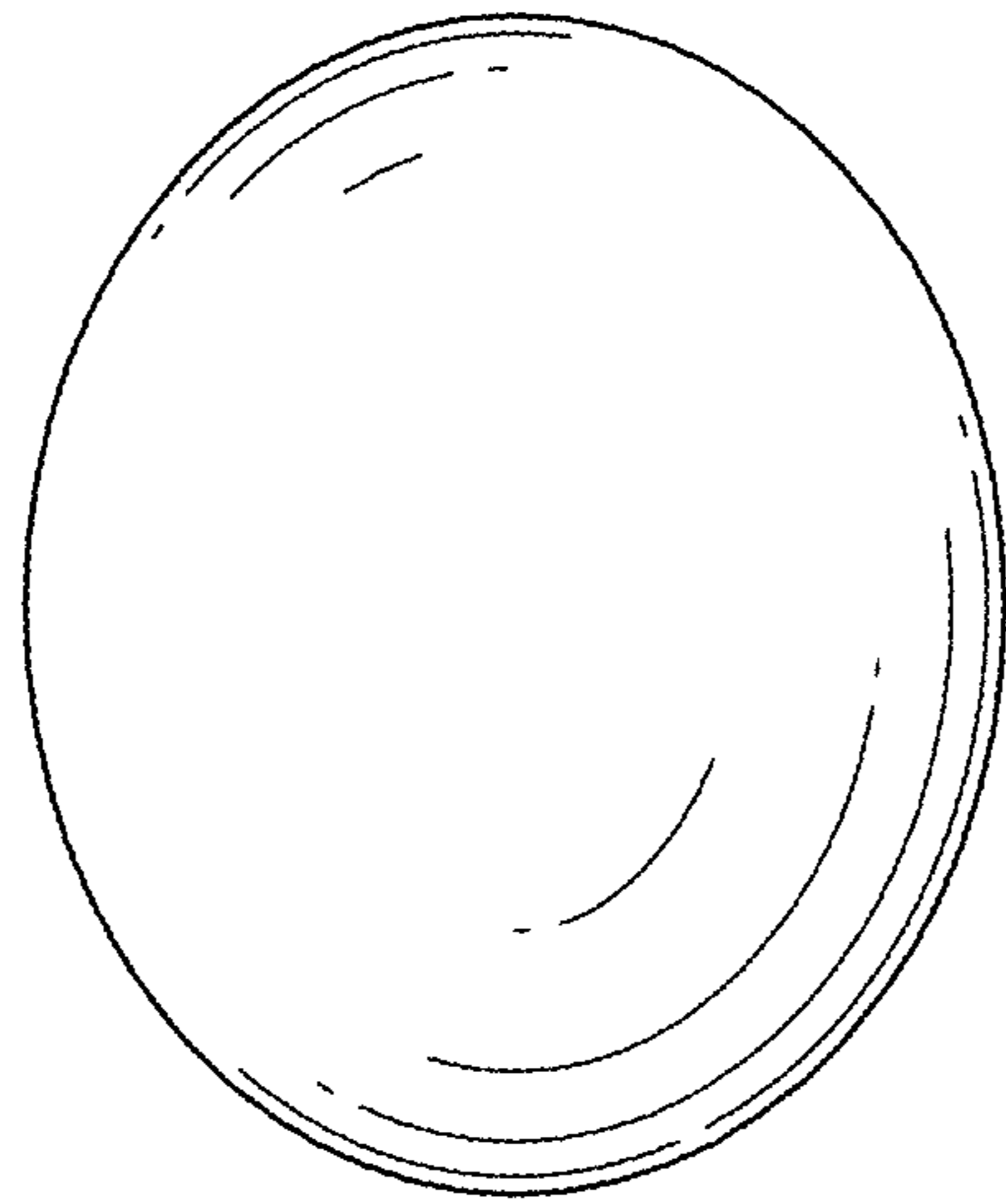


FIG.3

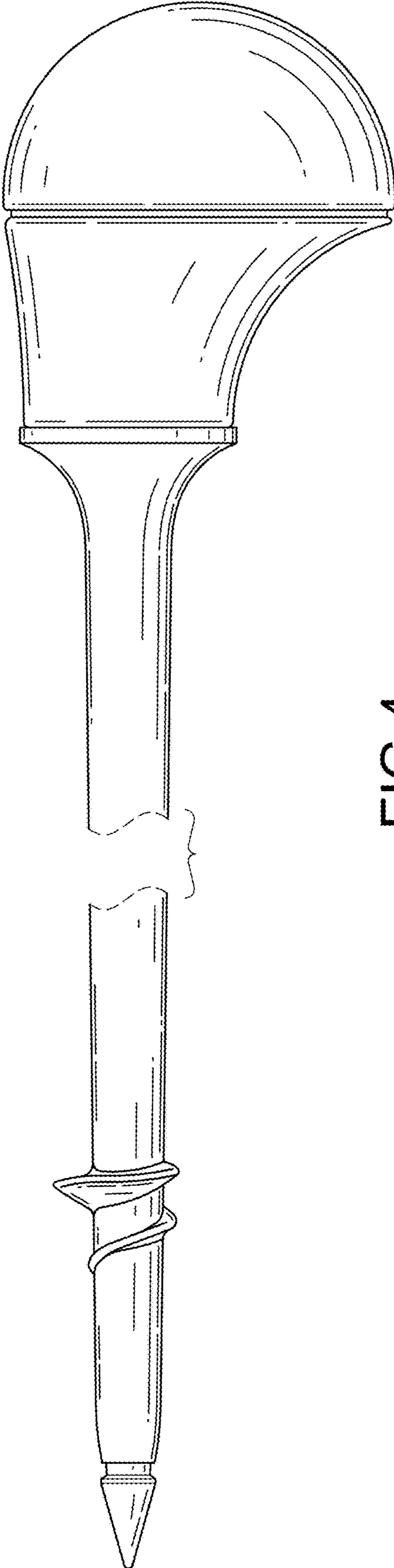


FIG.4

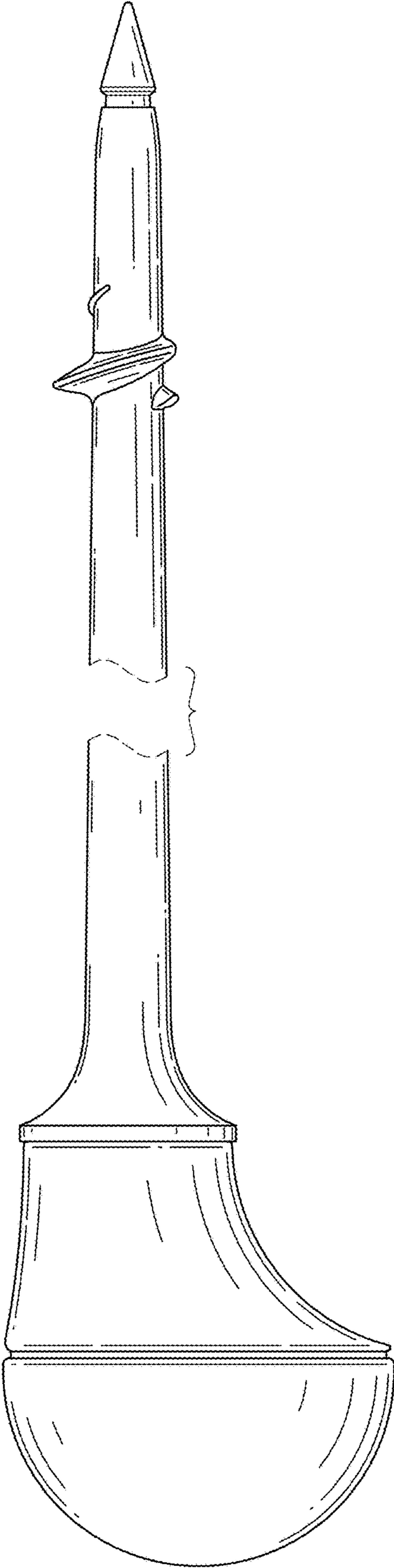


FIG. 5

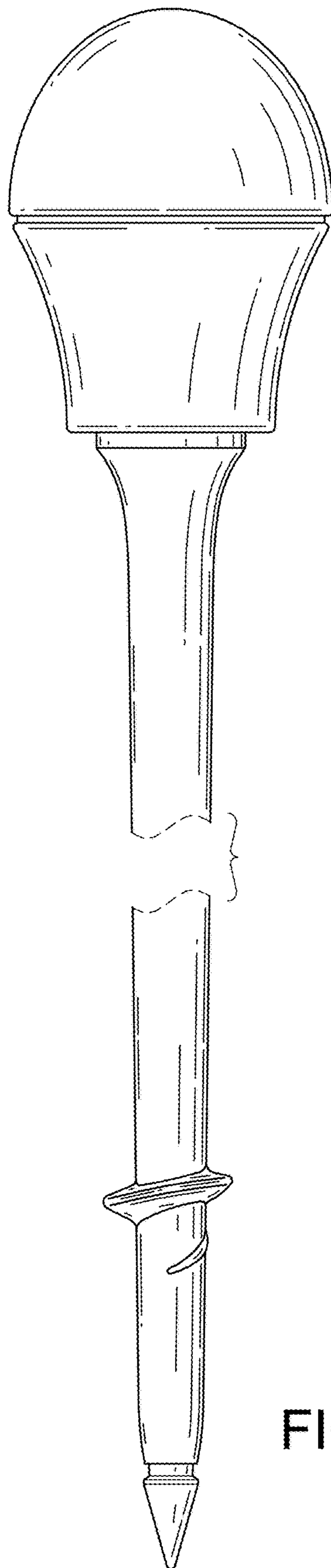


FIG.6



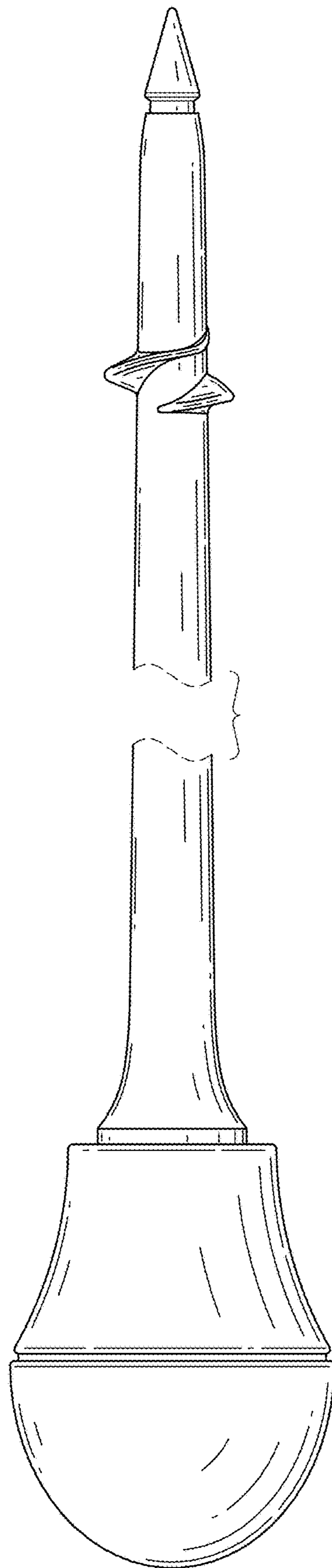


FIG.7