



US00D814033S

(12) **United States Design Patent**
Fuchs et al.

(10) **Patent No.:** **US D814,033 S**
(45) **Date of Patent:** **** Mar. 27, 2018**

(54) **TROCAR**

FOREIGN PATENT DOCUMENTS

- (71) Applicant: **KARL STORZ GmbH & Co. KG**,
Tuttlingen (DE)
- (72) Inventors: **Alexander Fuchs**, Tuttlingen (DE);
Sebastian Wagner, Tuttlingen (DE);
Michael Sauer, Tuttlingen (DE);
Martin Oberlaender, Tuttlingen (DE)
- (73) Assignee: **KARL STORZ GmbH & Co. KG**,
Tuttlingen (DE)

DE	91 02 553 U1	5/1991
DE	101 56 312 B4	4/2004
EP	2 529 684 A2	12/2012
WO	WO 2013/030682 A1	3/2013

(**) Term: **15 Years**

(21) Appl. No.: **29/591,887**

(22) Filed: **Jan. 25, 2017**

(30) **Foreign Application Priority Data**

Jul. 26, 2016 (EM) 003319995-0002

(51) **LOC (11) Cl.** **24-02**

(52) **U.S. Cl.**
USPC **D24/147**

(58) **Field of Classification Search**
USPC D24/127, 130, 133, 146, 147, 148;
D8/93, 97, 300, 310, 311, 313; D19/110,
D19/115; D7/649
CPC B26B 3/00; B26B 1/10; A61B 17/089;
A61B 17/1617; A61B 17/3211; A61B
17/3417; A61B 5/1411
See application file for complete search history.

(56) **References Cited**

U.S. PATENT DOCUMENTS

- 5,271,380 A * 12/1993 Riek A61B 1/00165
600/104
- 5,290,249 A * 3/1994 Foster A61B 17/34
604/174
- 5,630,813 A 5/1997 Kieturakis
- 5,895,351 A 4/1999 Nottage et al.

(Continued)

OTHER PUBLICATIONS

Karl Storz, "Focused on the Essentials—The new trocar generation from Karl Storz" brochure, www.health-made-in-germany.com, pp. 1-4 (Oct. 1, 2015).

(Continued)

Primary Examiner — Garth Rademaker

Assistant Examiner — Samantha Q. Lawrence

(74) *Attorney, Agent, or Firm* — Muncy, Geissler, Olds & Lowe, P.C.

(57) **CLAIM**

The ornamental design for a trocar, as shown and described.

DESCRIPTION

FIG. 1 is a front perspective view of a trocar according to the present invention.

FIG. 2 is a front view of the trocar of FIG. 1.

FIG. 3 is a rear view of the trocar of FIG. 1.

FIG. 4 is a left side view of the trocar of FIG. 1.

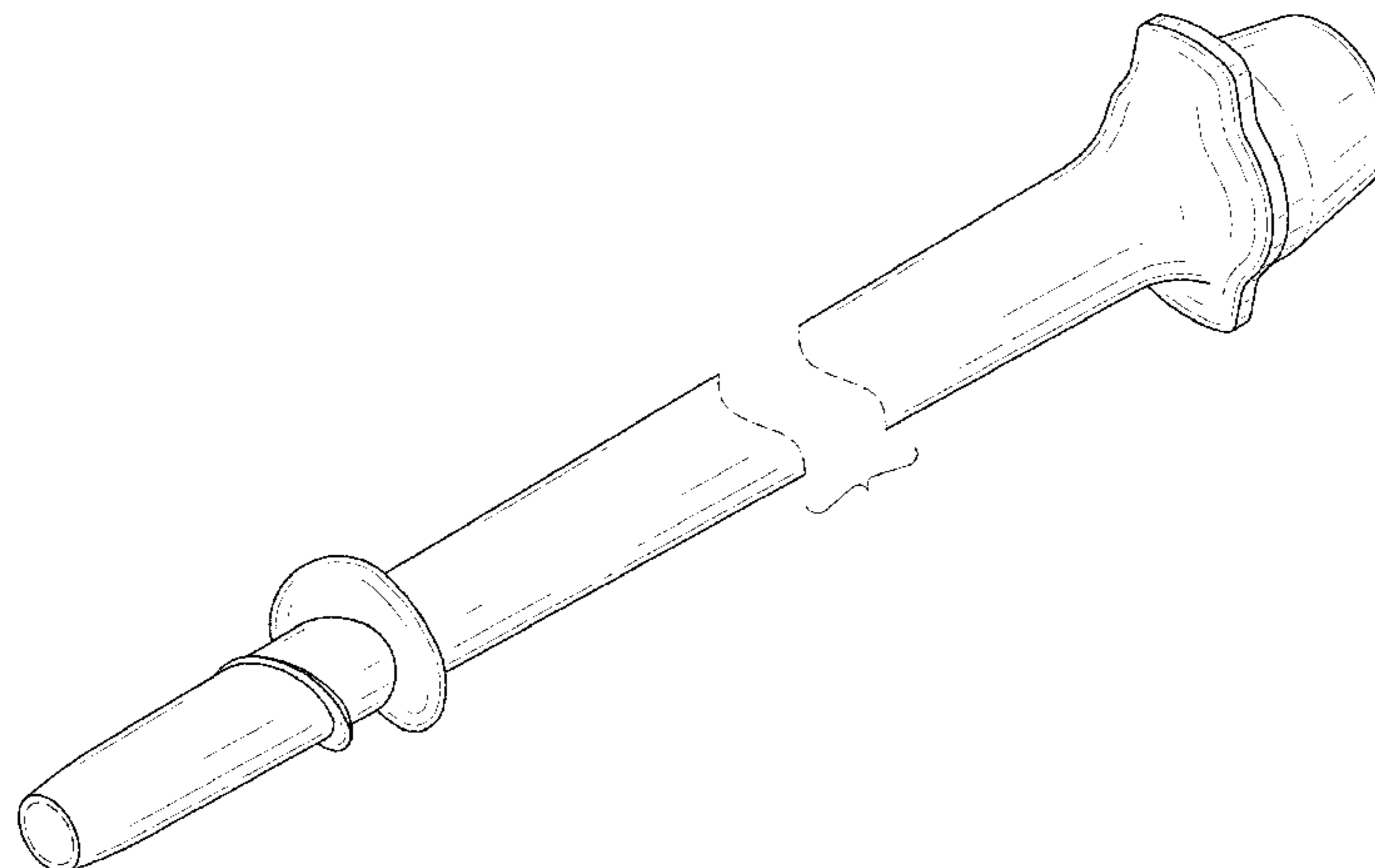
FIG. 5 is a right side view of the trocar of FIG. 1.

FIG. 6 is a top view of the trocar of FIG. 1; and,

FIG. 7 is a bottom view of the trocar of FIG. 1.

The broken lines shown in FIGS. 1 and 4-7 in the middle of the trocar illustrate a symbolic break in its length. The appearance of any portion of the article between the break lines forms no part of the claimed design. The remaining broken lines shown in FIGS. 1-3 illustrate portions of the trocar that form no part of the claimed design.

1 Claim, 7 Drawing Sheets



(56)

References Cited

OTHER PUBLICATIONS

U.S. PATENT DOCUMENTS

D426,635	S	*	6/2000	Haberland	D24/146
D679,811	S	*	4/2013	Hahn	D24/147
D680,647	S	*	4/2013	Carter	D24/146
D727,499	S	*	4/2015	Schad	D24/146
D728,098	S	*	4/2015	Schad	D24/146
D728,099	S	*	4/2015	Schad	D24/146
D733,301	S		6/2015	Mueller		
D733,879	S		7/2015	Mueller		
D733,880	S	*	7/2015	Mueller	D24/147
D737,444	S		8/2015	Mueller		
D737,973	S	*	9/2015	Nagele	D24/146
D740,420	S	*	10/2015	Spycher	D24/146
2003/0153926	A1		8/2003	Schmieding et al.		
2012/0209205	A1		8/2012	Okihisa et al.		

Karl Storz, "Highlights 2016—Laparoscopy" brochure, www.karlstorz.com, pp. 1-20, 2016 Edition, Quarter 1 (Jan. 1, 2016).
 Karl Storz, "Highlights 2016—Laparoscopy" brochure, www.karlstorz.com, pp. 1-24, 2016 Edition, Quarter 4 (Oct. 1, 2016).
 U.S. Appl. No. 29/591,898, filed Jan. 25, 2017.
 U.S. Appl. No. 29/591,888, filed Jan. 25, 2017.
 U.S. Appl. No. 29/591,903, filed Jan. 25, 2017.
 U.S. Appl. No. 29/591,875, filed Jan. 25, 2017.

* cited by examiner

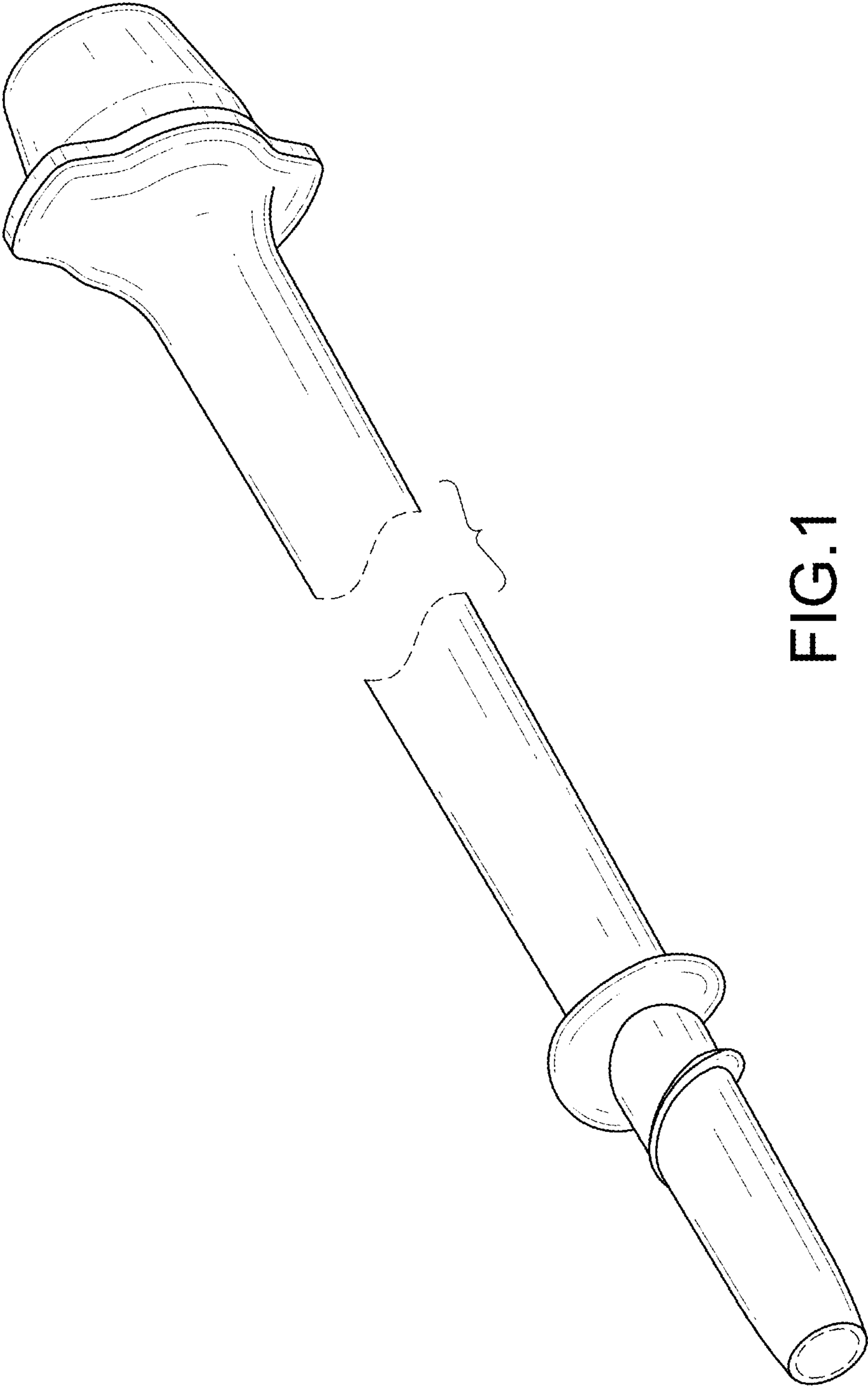


FIG. 1

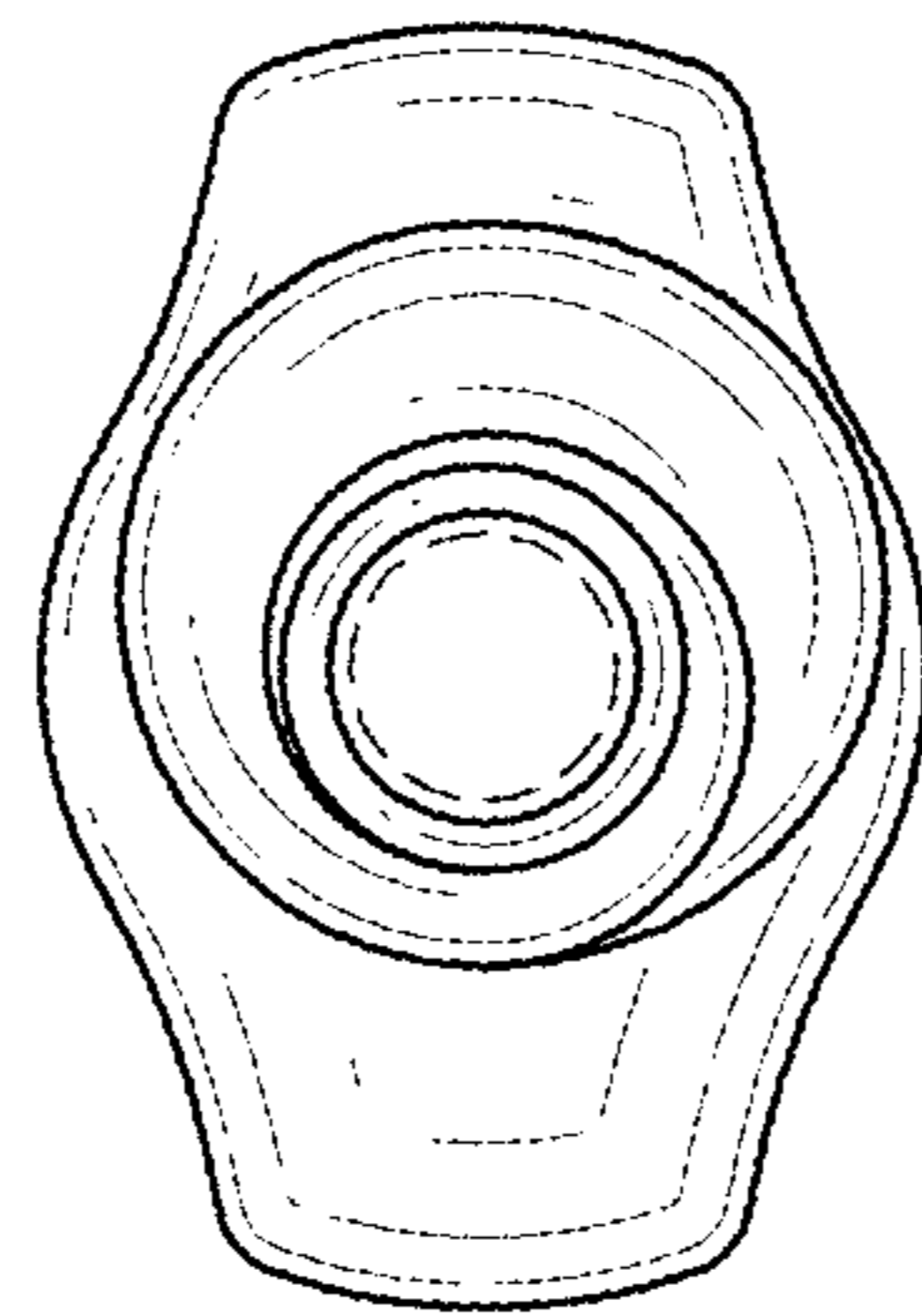


FIG.2

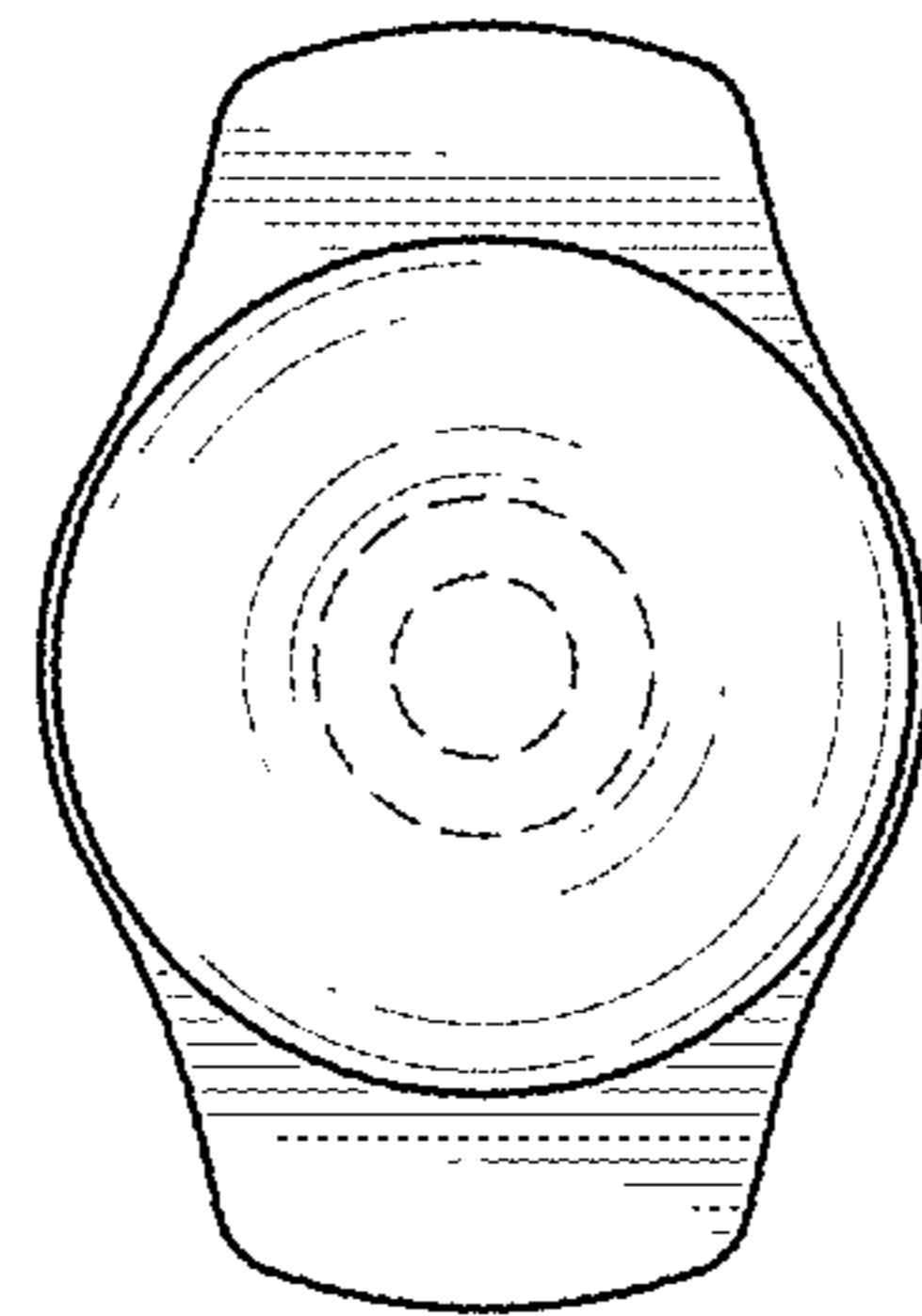


FIG.3

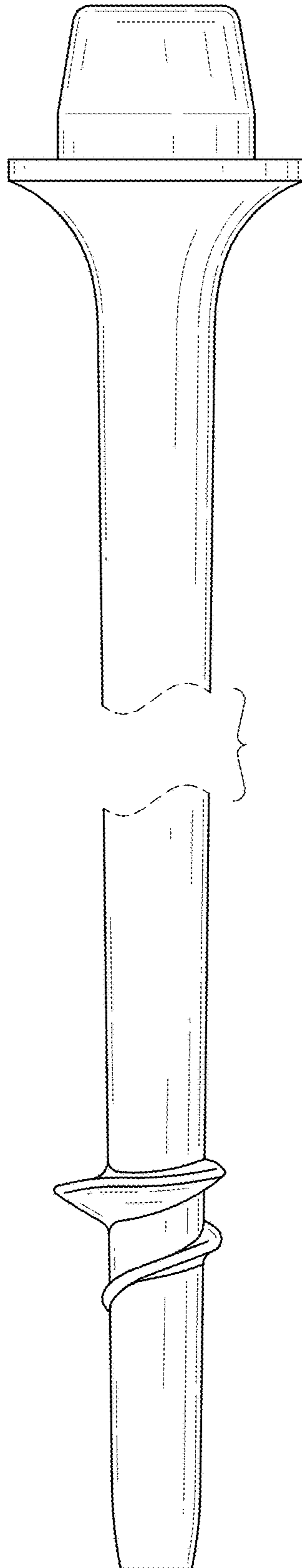


FIG.4

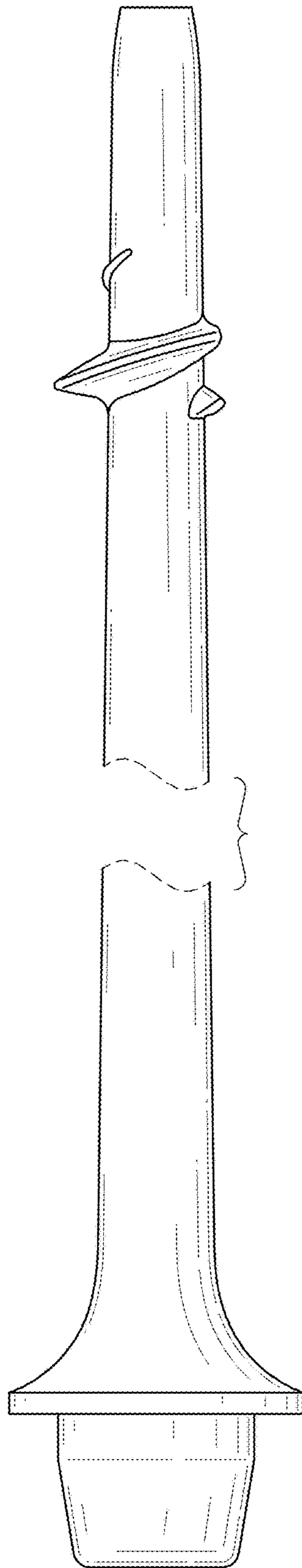


FIG.5

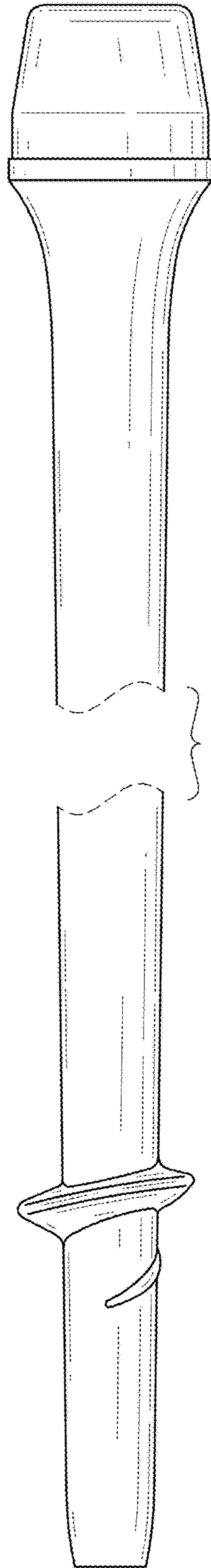


FIG.6

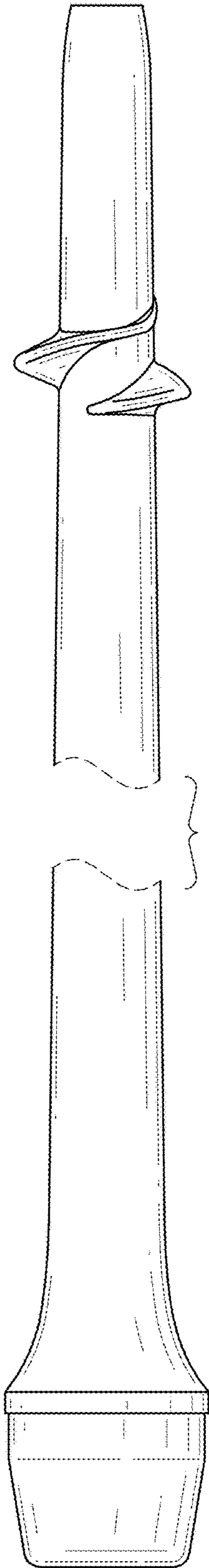


FIG.7