



US00D814027S

(12) **United States Design Patent** (10) **Patent No.:** **US D814,027 S**
Ienna et al. (45) **Date of Patent:** **** Mar. 27, 2018**

(54) **MEDICAL TORSION TOOL**
(71) Applicant: **INGENYEWITY INC.**, Markham (CA)
(72) Inventors: **Corinna Ienna**, Ottawa (CA); **Maria Plummer**, Markham (CA); **Ray Minato**, Toronto (CA)
(73) Assignee: **INGENYEWITY INC.**, Ontario (CA)
(**) Term: **15 Years**
(21) Appl. No.: **29/596,363**
(22) Filed: **Mar. 7, 2017**
(30) **Foreign Application Priority Data**

Feb. 9, 2017 (CA) 172988

(51) **LOC (11) Cl.** **24-02**
(52) **U.S. Cl.**
USPC **D24/133**
(58) **Field of Classification Search**
USPC D24/171, 137, 138, 133; D8/4, 52, 54, D8/58; D7/669, 680, 682
CPC A61M 25/00; A61M 25/0014; A61M 25/0015; A61M 25/0013; A47J 43/26
See application file for complete search history.

(56) **References Cited**

U.S. PATENT DOCUMENTS

508,355 A * 11/1893 Streeter et al. A47J 43/26 30/120.3
1,436,571 A * 11/1922 Bokor A47J 43/26 30/120.4
2,237,861 A * 4/1941 Briggs A01C 5/02 111/101
2,379,121 A * 6/1945 Via A47J 43/26 30/120.3
D187,042 S * 1/1960 Winkler D8/39

4,179,954 A * 12/1979 Whalen B67B 7/18 81/3.44
D311,306 S * 10/1990 Gagnon D7/680
D454,036 S * 3/2002 Tse D7/680
D461,377 S * 8/2002 Law D7/680
D469,668 S * 2/2003 Prommel D7/680
D509,412 S * 9/2005 Lee D7/680
D524,612 S * 7/2006 Wakasugi D8/18
D539,623 S * 4/2007 Yu D8/40

(Continued)

FOREIGN PATENT DOCUMENTS

CN 203971133 U 12/2004
CN 201006148 Y 1/2008

(Continued)

OTHER PUBLICATIONS

MedeGrip, available at <http://medegrip.com/luser.html>, Dec. 15, 2015, 1 pg.

(Continued)

Primary Examiner — Rosemary K Tarcza
Assistant Examiner — Yolanda Robinson
(74) *Attorney, Agent, or Firm* — Martin & Ferraro, LLP

(57) **CLAIM**

The ornamental design for a medical torsion tool, as shown and described.

DESCRIPTION

FIG. 1 is a perspective view of a medical torsion tool according to the present invention;
FIG. 2 is another perspective view thereof;
FIG. 3 is a front view, the rear view being a mirror image thereof;
FIG. 4 is a right side view, the left side view being a mirror image thereof;
FIG. 5 is a top view thereof; and,
FIG. 6 is a bottom view thereof.

1 Claim, 6 Drawing Sheets

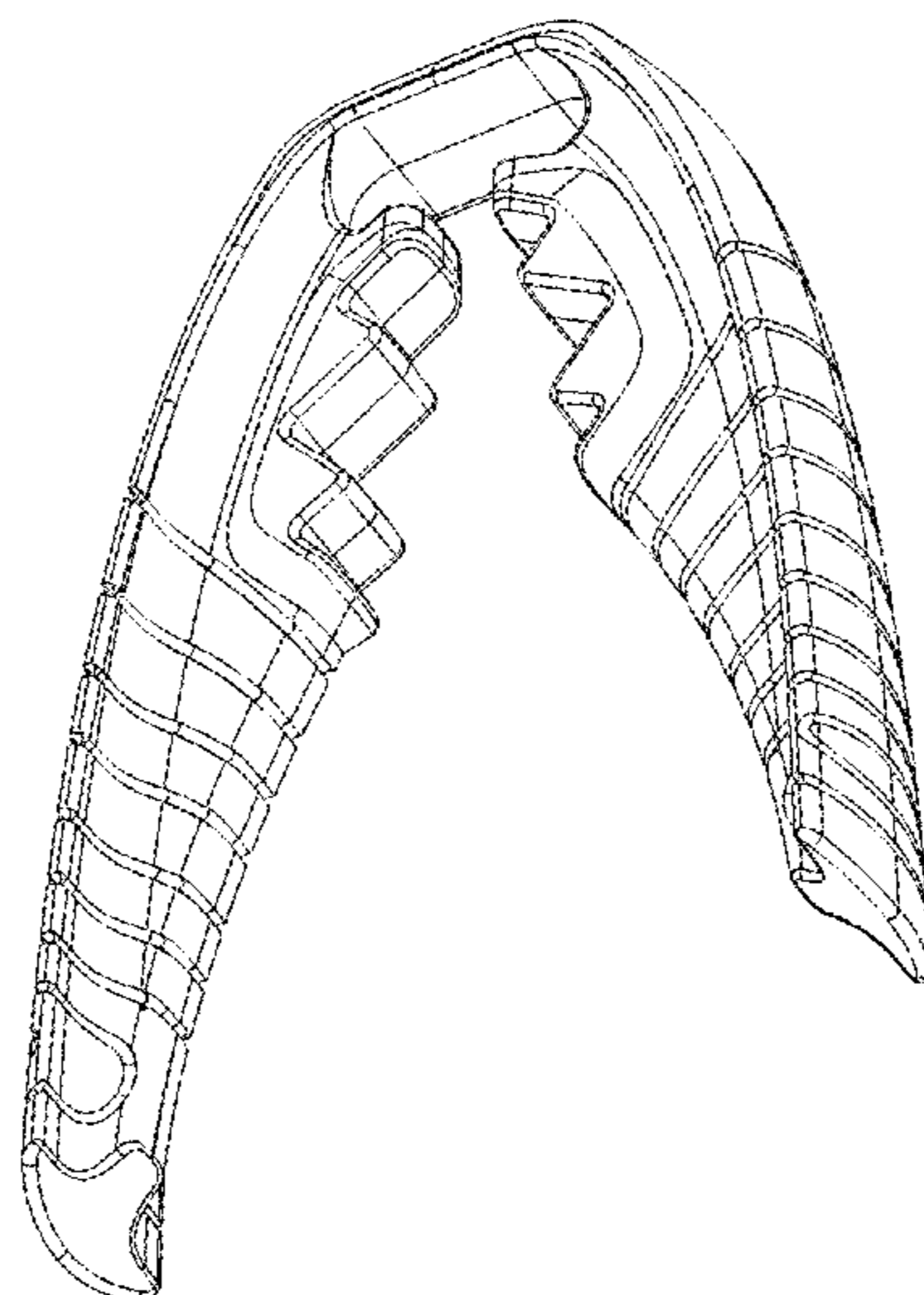


FIGURE 1

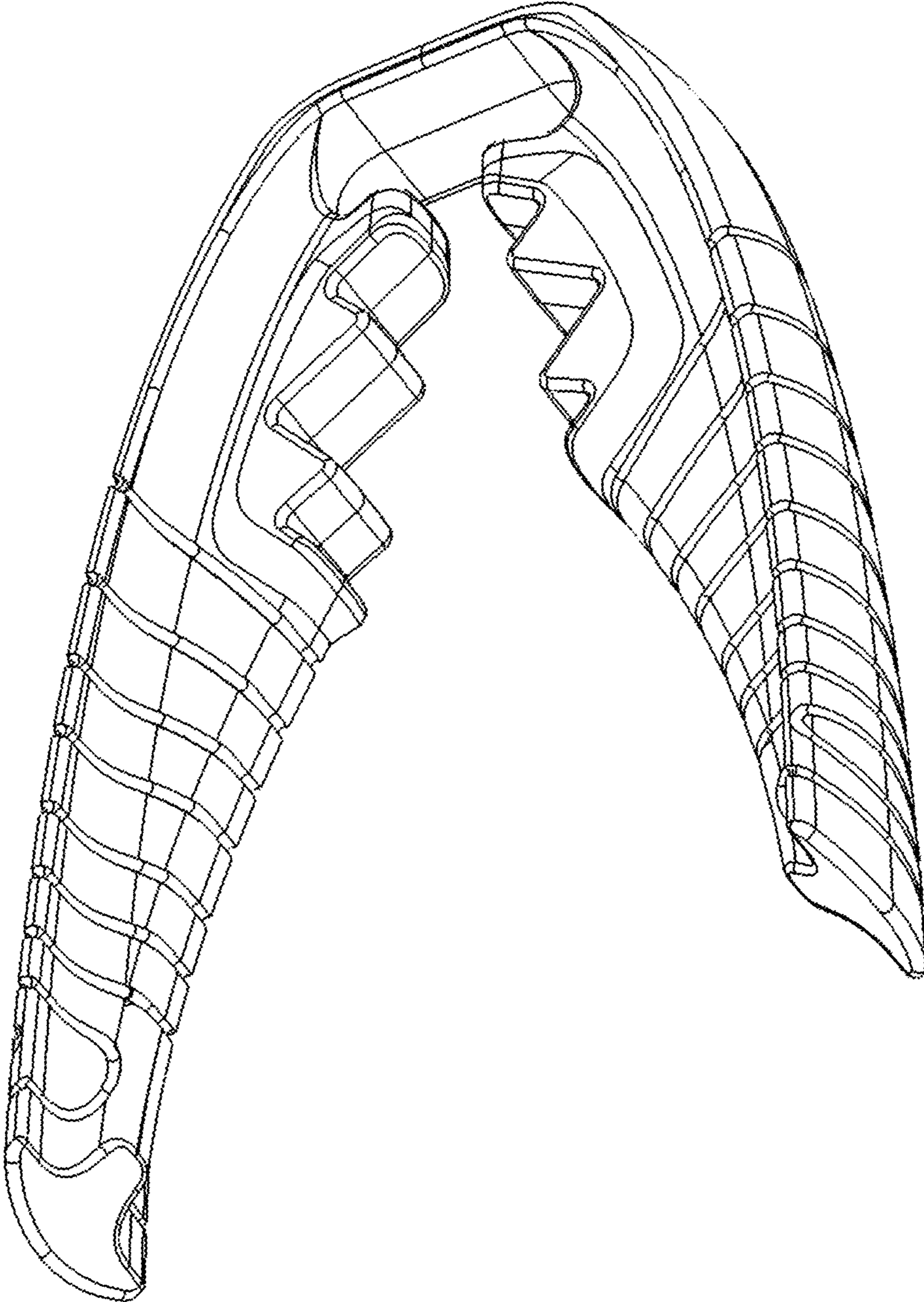


FIGURE 2

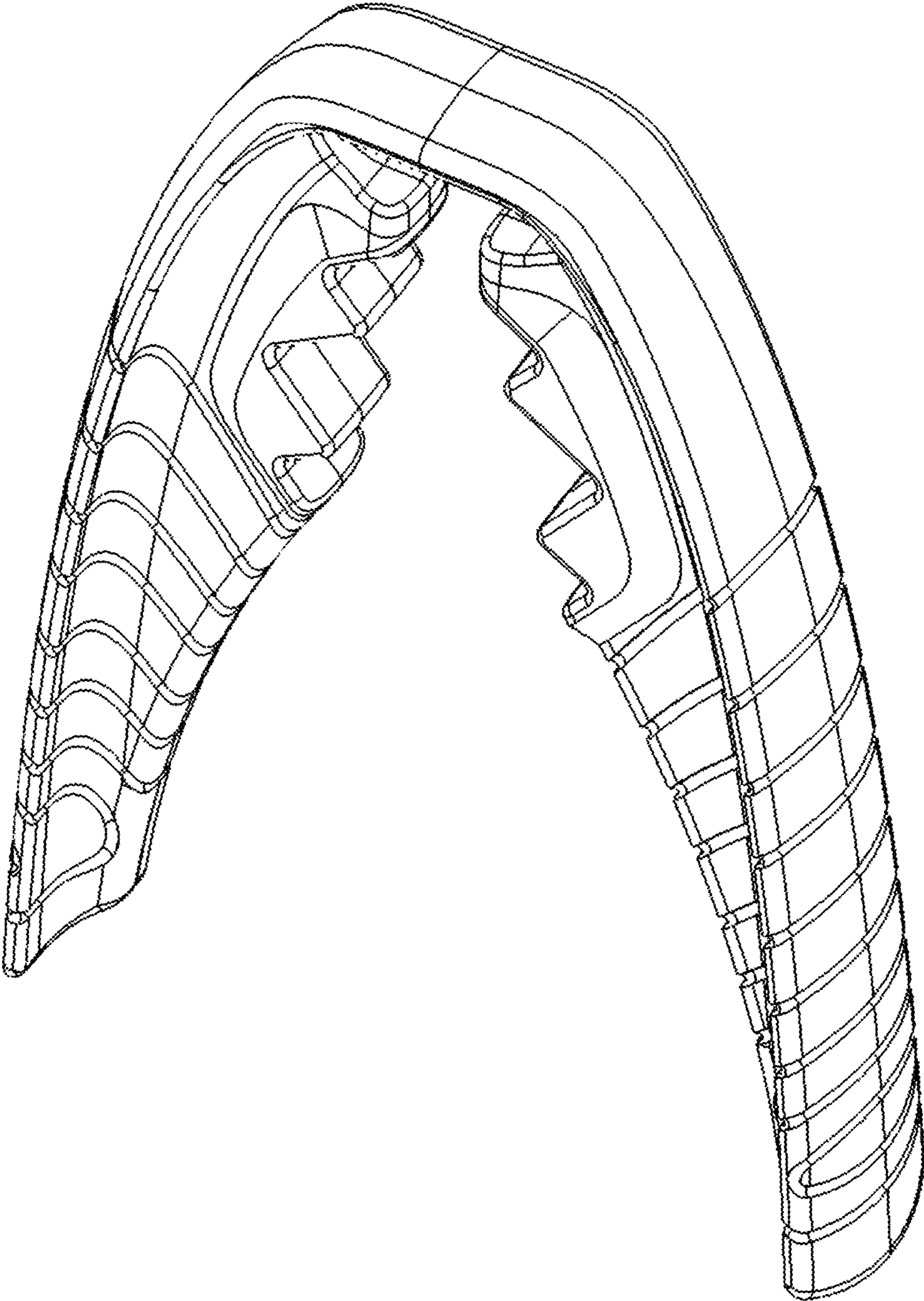


FIGURE 3

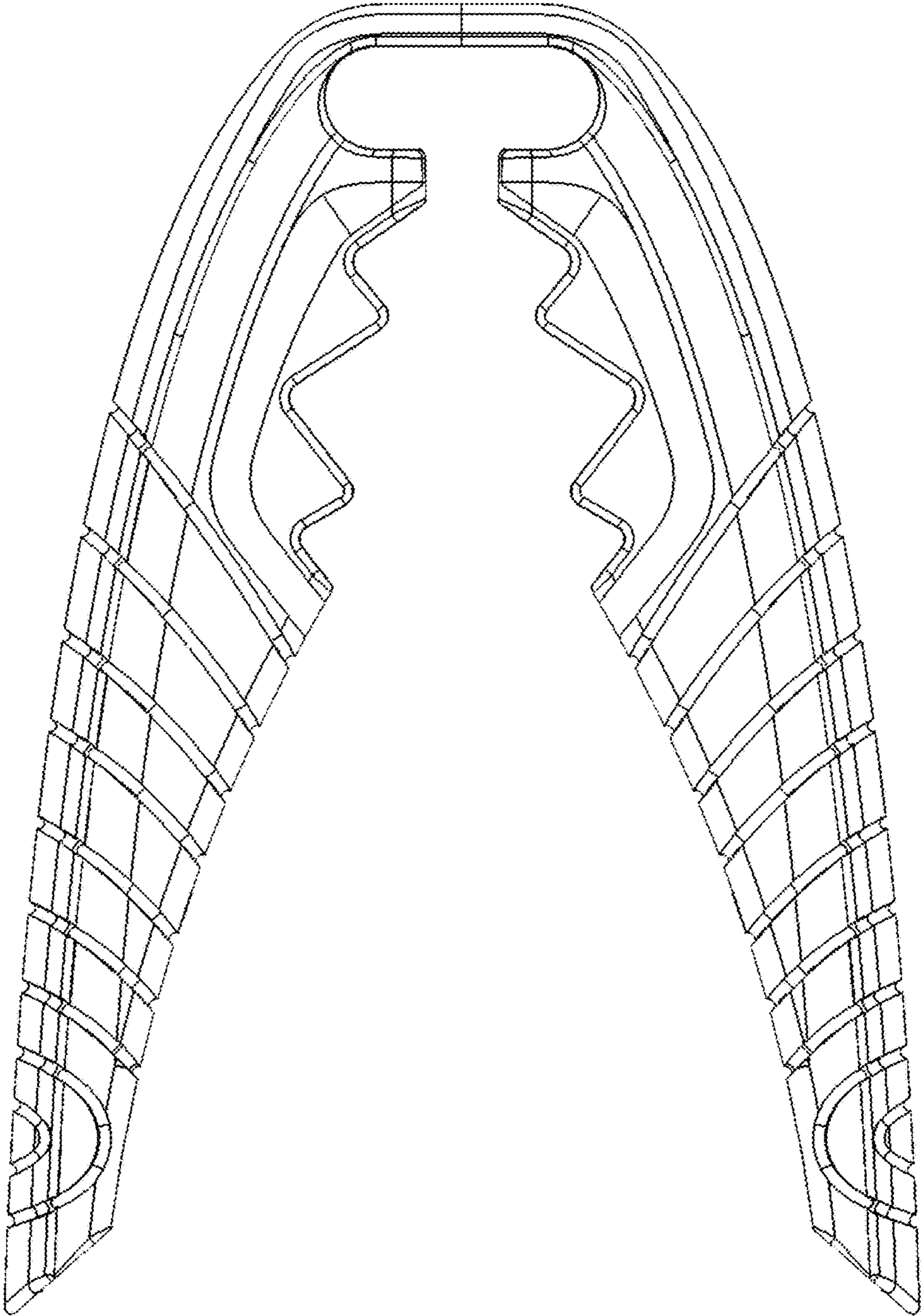


FIGURE 4

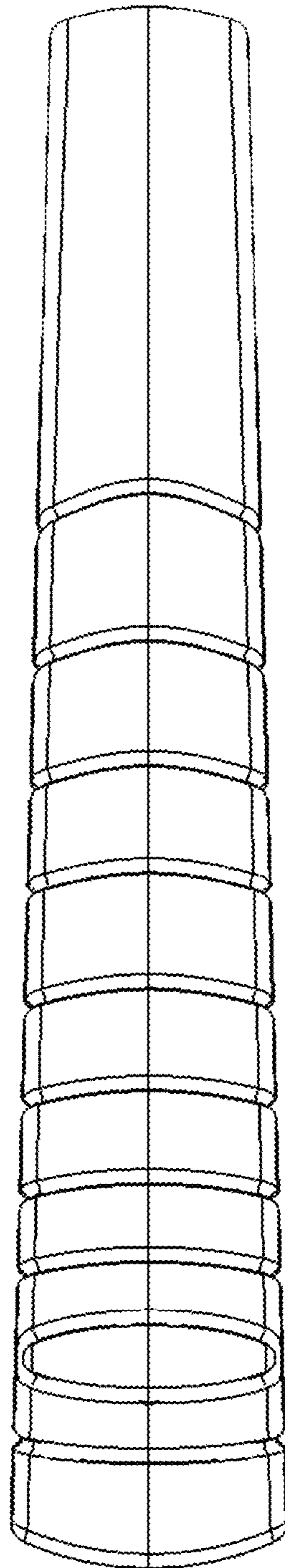


FIGURE 5

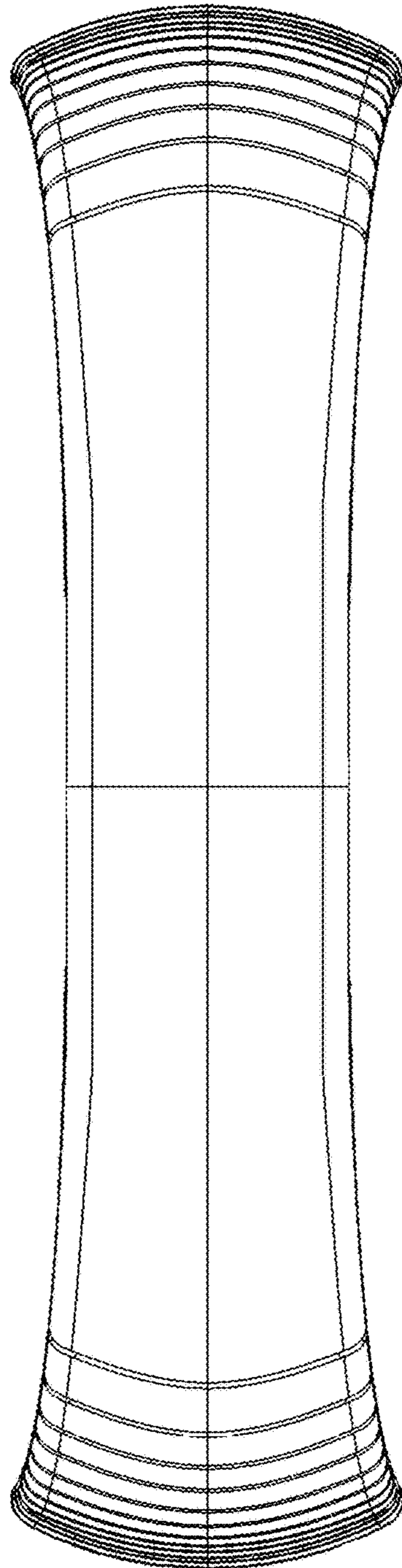


FIGURE 6

