



US00D814025S

(12) **United States Design Patent**
Zumbrum

(10) **Patent No.:** **US D814,025 S**
(45) **Date of Patent:** **** Mar. 27, 2018**

- (54) **FLUID CONDUIT TRANSFER TIP**
- (71) Applicant: **Allpure Technologies, Inc.**, New Oxford, PA (US)
- (72) Inventor: **Michael A. Zumbrum**, New Oxford, PA (US)
- (73) Assignee: **Sartorius Stedim North America Inc.**, Bohemia, NY (US)

D298,849 S * 12/1988 Lanoue D23/260
 D300,246 S 3/1989 Brown
 4,830,235 A 5/1989 Miller
 4,994,076 A 2/1991 Guss
 5,154,317 A 10/1992 Roppolo
 5,195,664 A 3/1993 Rhea
 5,350,080 A 9/1994 Brown et al.
 5,743,442 A 4/1998 Barbe
 D408,079 S * 4/1999 Ellis D24/108
 6,234,412 B1 5/2001 von Schuckmann
 (Continued)

(**) Term: **15 Years**

FOREIGN PATENT DOCUMENTS

(21) Appl. No.: **29/584,139**

WO WO 2009098194 8/2009

(22) Filed: **Nov. 11, 2016**

OTHER PUBLICATIONS

Related U.S. Application Data

Contigo Autospout Gizmo Flip water bottle, publicly available at least as of Nov. 11, 2016. Photos taken Dec. 31, 2016.

- (63) Continuation-in-part of application No. 29/545,520, filed on Nov. 13, 2015, now abandoned, and a continuation-in-part of application No. 14/940,580, filed on Nov. 13, 2015.

(Continued)

(51) **LOC (11) Cl.** **24-02**

Primary Examiner — Richelle G Shelton

(52) **U.S. Cl.**
USPC **D24/129**

(74) *Attorney, Agent, or Firm* — Womble Bond Dickinson (US) LLP

(58) **Field of Classification Search**
USPC D24/108, 112, 127, 129, 130; D23/262
CPC B65D 7/0288; B65B 3/003; B65B 39/00;
B01L 3/0275

(57) **CLAIM**

The ornamental design for a fluid conduit transfer tip, as shown and described.

See application file for complete search history.

DESCRIPTION

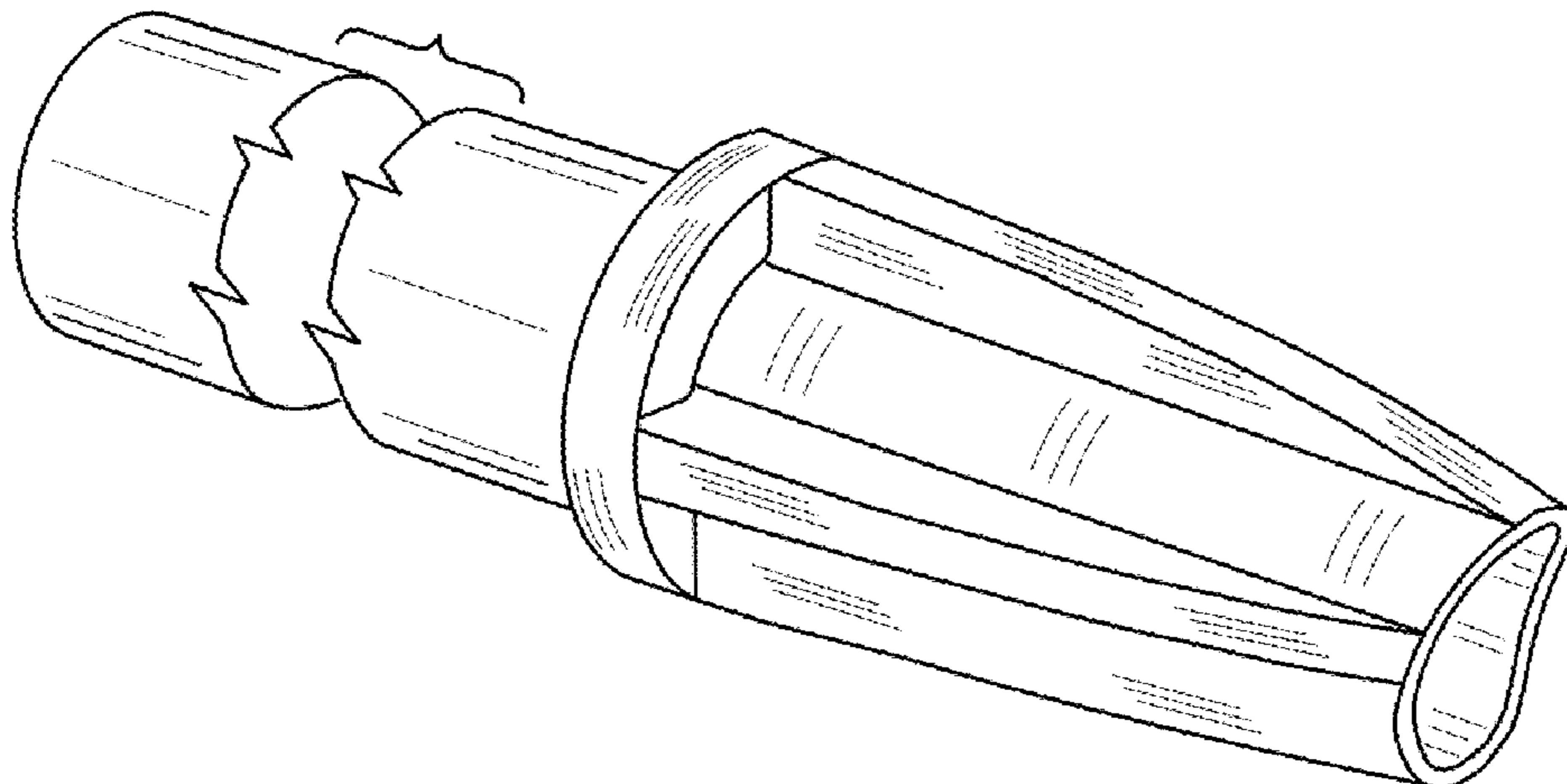
(56) **References Cited**

FIG. 1 is a left side view of my new design, the right side view being a mirror image thereof;
 FIG. 2 is a front view thereof;
 FIG. 3 is a rear view thereof;
 FIG. 4 is a top view thereof, the bottom view being a mirror image thereof; and,
 FIG. 5 is a front left perspective view thereof.
 The jagged break lines and brackets in FIGS. 1, 4 and 5 represent that the length of the broken portion is not claimed.

U.S. PATENT DOCUMENTS

1,625,699 A 4/1927 Benton
 2,533,697 A 11/1948 Stewart
 2,764,317 A 11/1950 Liaciani
 3,645,413 A 2/1972 Mitchell
 3,897,006 A 7/1975 Tada
 D243,456 S 2/1977 Ryan
 4,286,735 A 9/1981 Sneider
 D275,984 S 10/1984 Shaw

1 Claim, 1 Drawing Sheet



(56)

References Cited

U.S. PATENT DOCUMENTS

6,302,304	B1	10/2001	Spencer	
6,695,179	B2	2/2004	Mandile	
D561,304	S	2/2008	Vansell et al.	
7,464,834	B2	12/2008	Law et al.	
7,490,743	B2	2/2009	Herzog	
8,545,462	B2	10/2013	Ghannoum	
2004/0060888	A1	4/2004	Ahn	
2006/0163292	A1	7/2006	Wauters et al.	
2013/0116597	A1*	5/2013	Rudge	A61B 5/150358 600/575
2015/0119863	A1	4/2015	Christensen	
2016/0175530	A1*	6/2016	Mide	A61M 5/346 604/535

OTHER PUBLICATIONS

Sally O.; Mommy's Reviews: "Contigo Autospout Gizmo Flip Water Bottle Review & Giveaway"; retrieved from www.mommysreviews.com/2015/08/contigo-autospout-gizmo-flip-water.html, publicly available at least as of Nov. 11, 2016; website visited Dec. 31, 2016.

U.S. Appl. No. 14/940,580, filed Nov. 13, 2015, Conduit Terminus and Related Fluid Transport System and Method, Michael A. Zumbrum.

U.S. Appl. No. 29/545,520, filed Nov. 13, 2015, Fluid Conduit Transfer Tip, Michael A. Zumbrum.

U.S. Appl. No. 29/584,137, filed Nov. 11, 2016, Fluid Conduit Transfer Tip, Michael A. Zumbrum.

U.S. Appl. No. 29/584,139, filed Nov. 11, 2016, Fluid Conduit Transfer Tip, Michael A. Zumbrum.

* cited by examiner

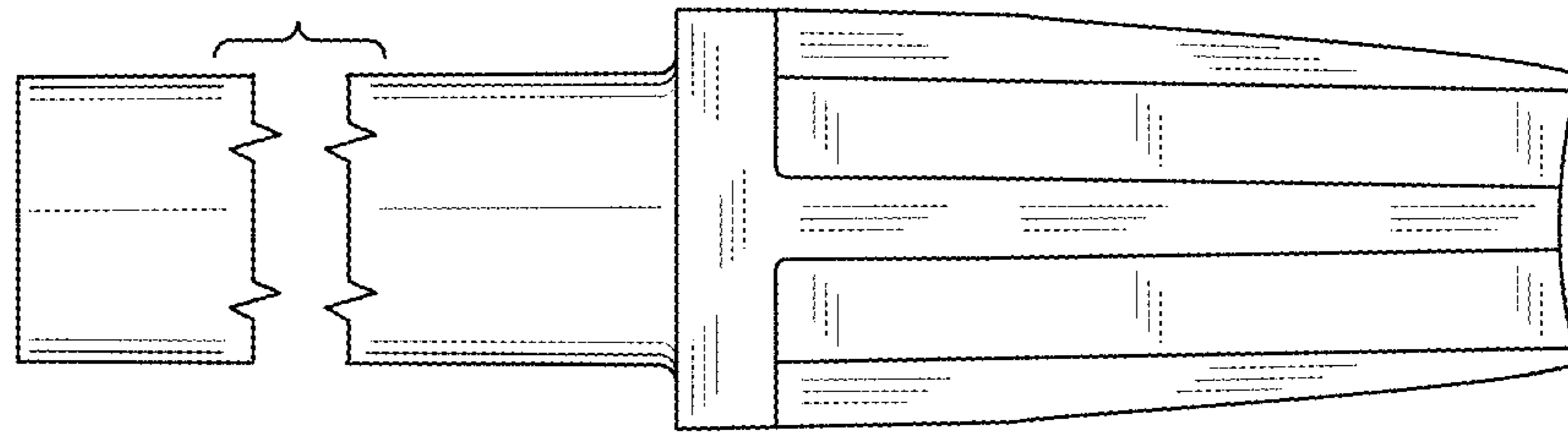


FIG. 1

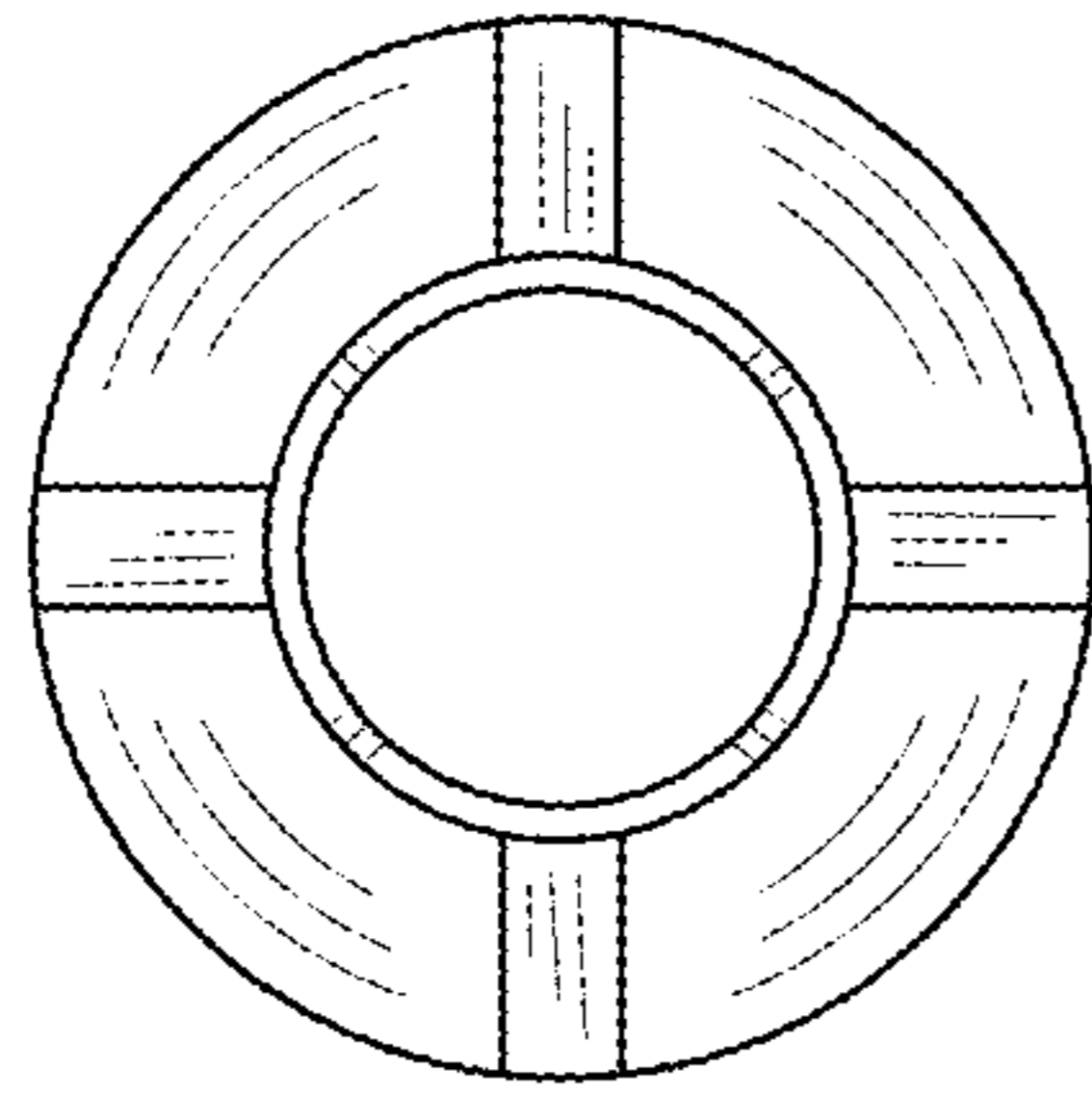


FIG. 2

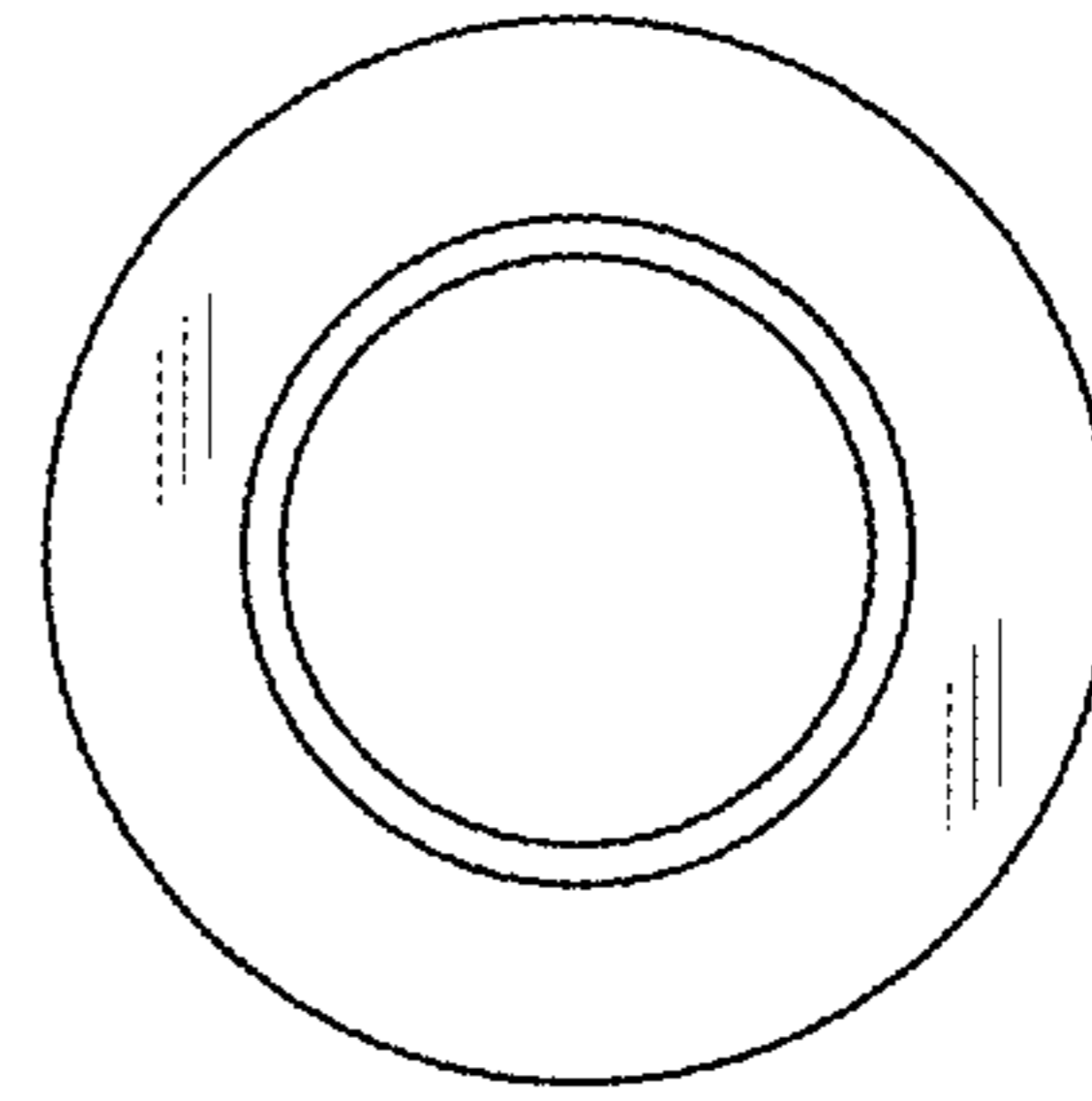


FIG. 3

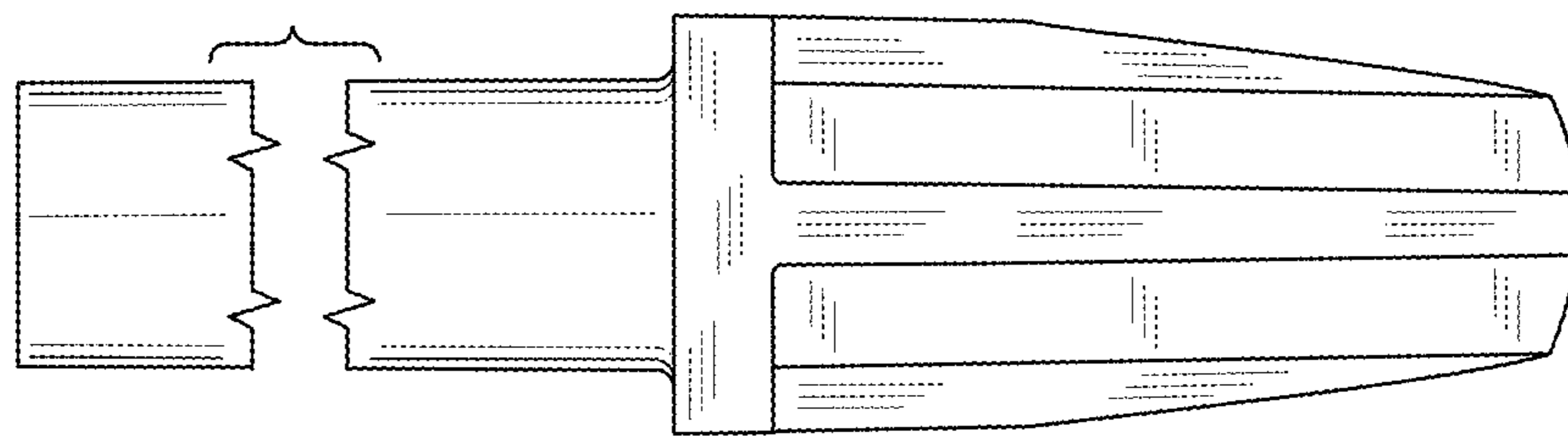


FIG. 4

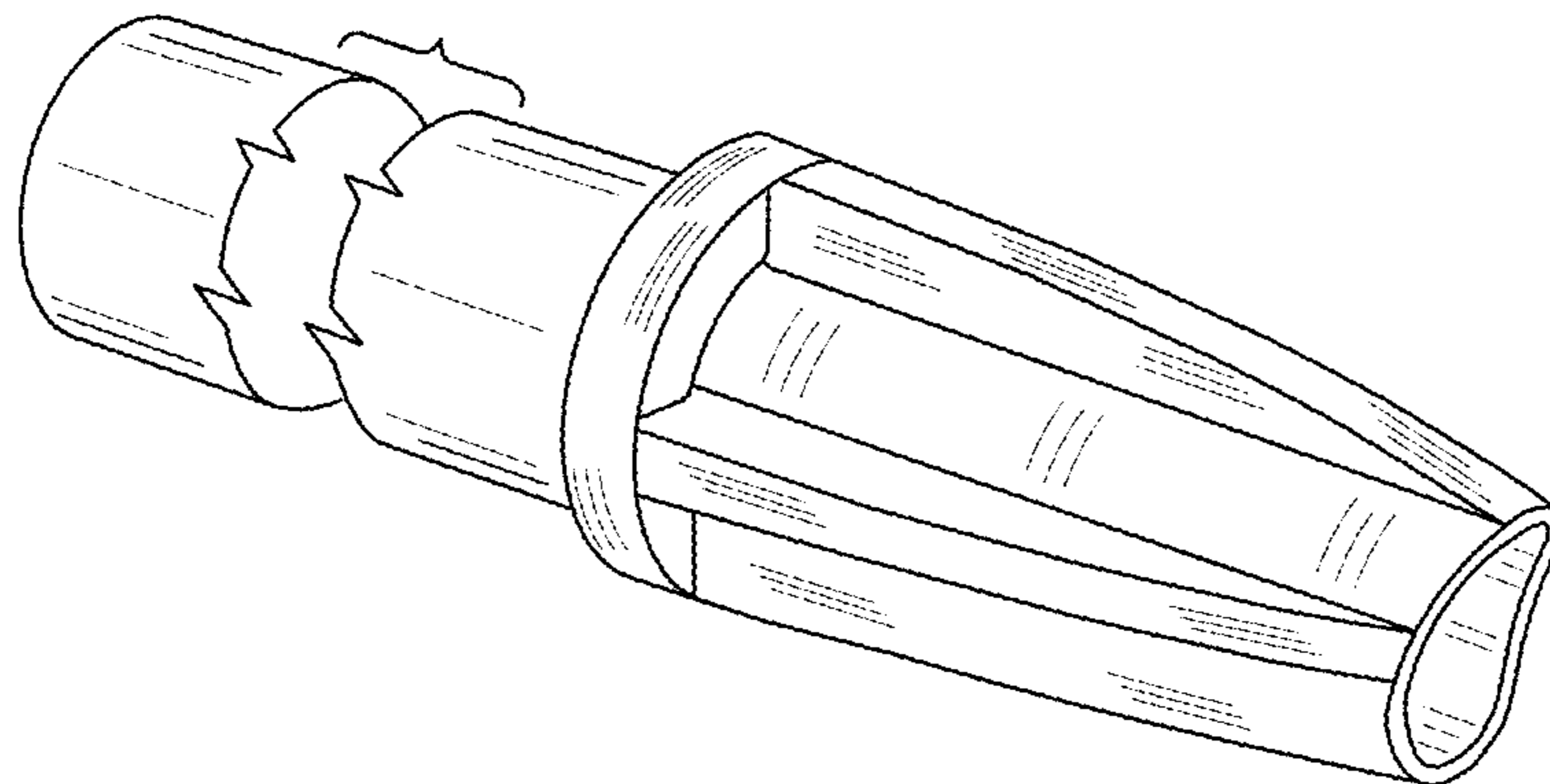


FIG. 5