



US00D814023S

(12) **United States Design Patent** (10) **Patent No.:** **US D814,023 S**
Burgman (45) **Date of Patent:** **** Mar. 27, 2018**

(54) **EYE DROP APPLICATOR**
(71) Applicant: **Rosa Burgman**, Safety Harbor, FL (US)
(72) Inventor: **Rosa Burgman**, Safety Harbor, FL (US)
(**) Term: **15 Years**
(21) Appl. No.: **29/572,880**
(22) Filed: **Aug. 1, 2016**
(51) **LOC (11) Cl.** **24-02**
(52) **U.S. Cl.**
USPC **D24/120**
(58) **Field of Classification Search**
USPC D24/110, 115, 116, 18, 120; D7/700; D23/200
CPC A61F 9/0008; A61F 9/0026; A61F 2230/0091; A61F 2250/0004; B65D 47/18; B65D 83/30; A61H 35/02; A61H 2201/0153; A61M 35/003; A61M 35/00; A61M 2210/0612
See application file for complete search history.

D310,123 S * 8/1990 Carlson D23/200
D576,848 S * 9/2008 Williams D7/700
D694,403 S * 11/2013 Lensch D24/120
D771,802 S * 11/2016 Shulman D24/120
D773,544 S * 12/2016 Tseng D15/150
D775,326 S * 12/2016 Shulman D24/120

* cited by examiner

Primary Examiner — Thomas Johannes
Assistant Examiner — Samantha Q Lawrence

(57) **CLAIM**

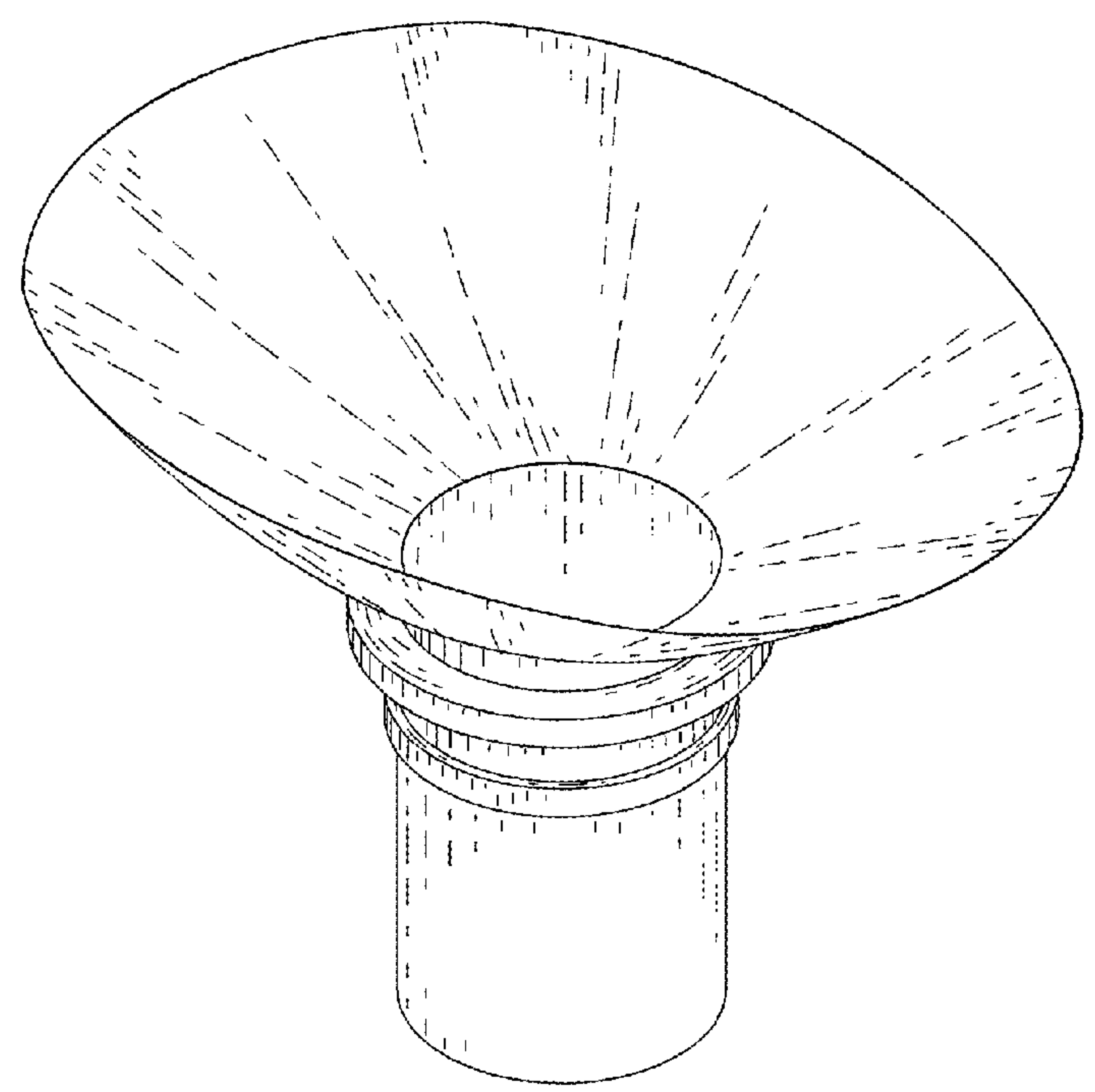
The ornamental design for an eye drop applicator, as shown and described.

DESCRIPTION

FIG. 1 is a perspective view of an eye drop applicator showing my new design;
FIG. 2 is a front elevational view thereof;
FIG. 3 is a rear elevational view thereof;
FIG. 4 is a left side elevational view thereof;
FIG. 5 is a right side elevational view thereof;
FIG. 6 is a bottom plan view thereof;
FIG. 7 is a top plan view thereof;
FIG. 8 is a top-left perspective view thereof;
FIG. 9 is a bottom-right perspective view thereof; and,
FIG. 10 is a bottom-left perspective view thereof.
The broken line showing of a threading around the inside of a tubular section is included for the purpose of illustrating environmental structure and forms no part of the claimed design.

1 Claim, 10 Drawing Sheets

(56) **References Cited**
U.S. PATENT DOCUMENTS
1,943,349 A * 1/1934 Sperisen A61H 35/02 604/295
2,585,264 A * 2/1952 Mock A61H 35/02 604/301
3,841,533 A * 10/1974 Carroll A61F 9/0008 128/200.23
D248,448 S * 7/1978 McClure D24/115



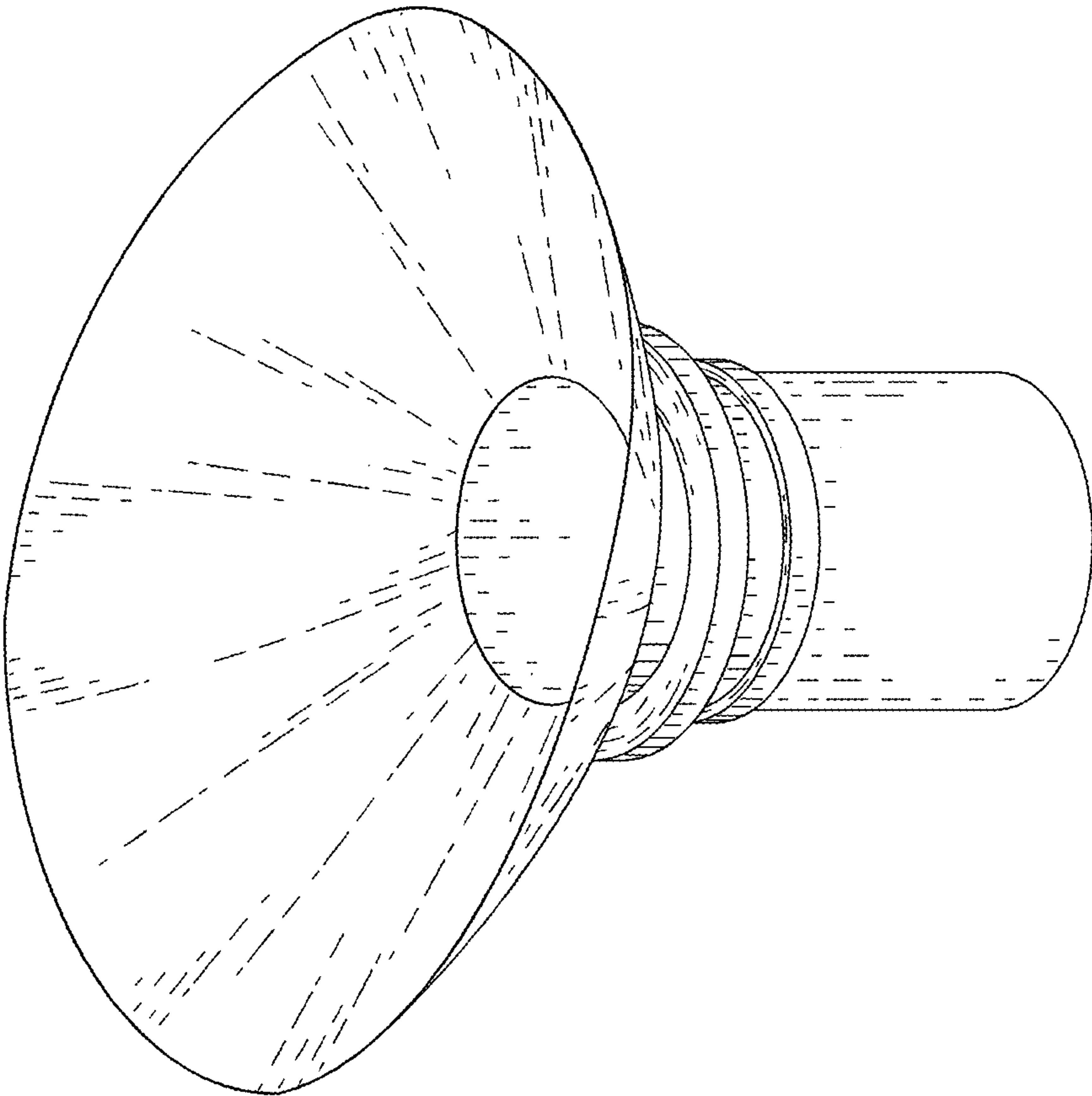


FIG. 1

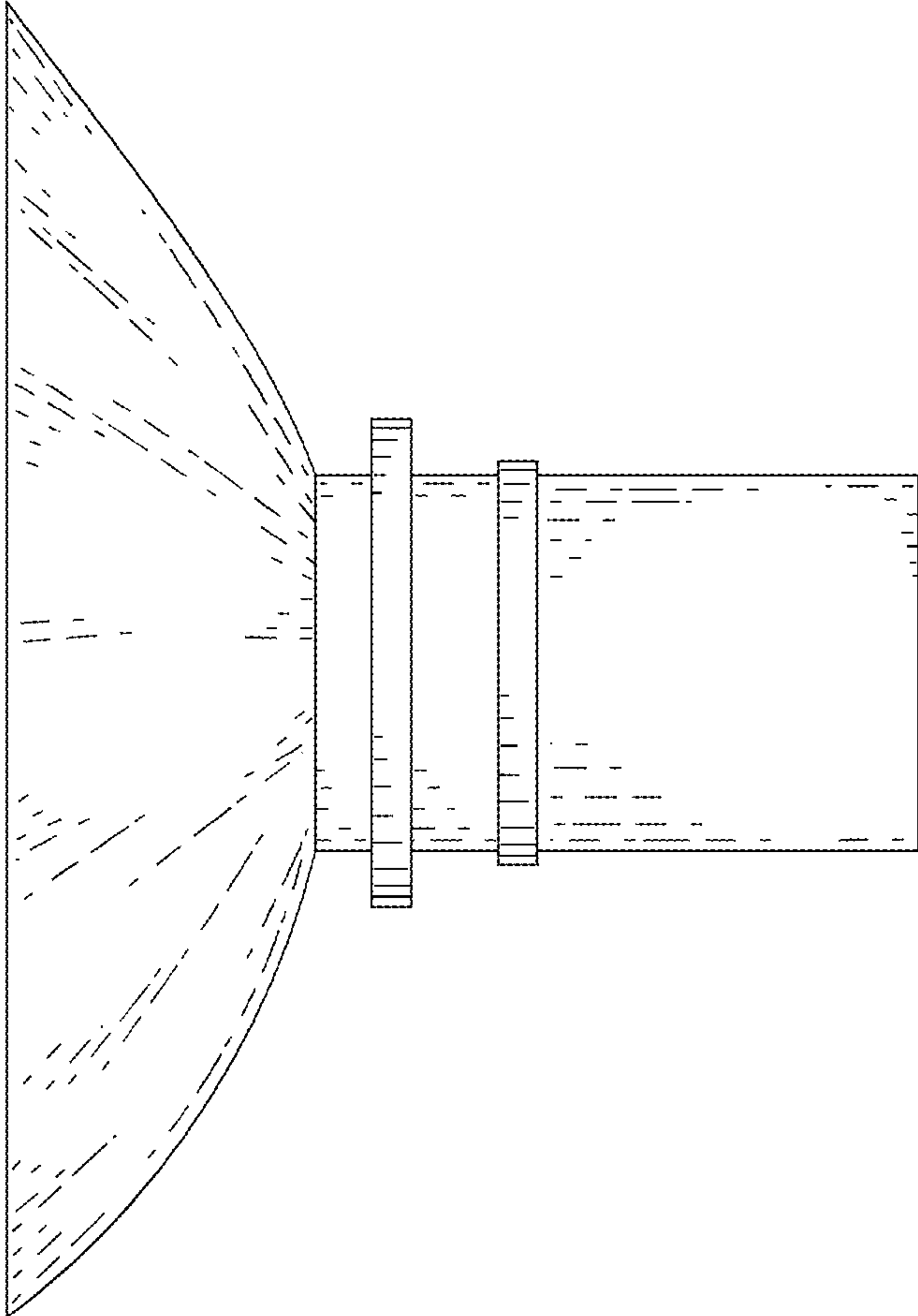


FIG. 2

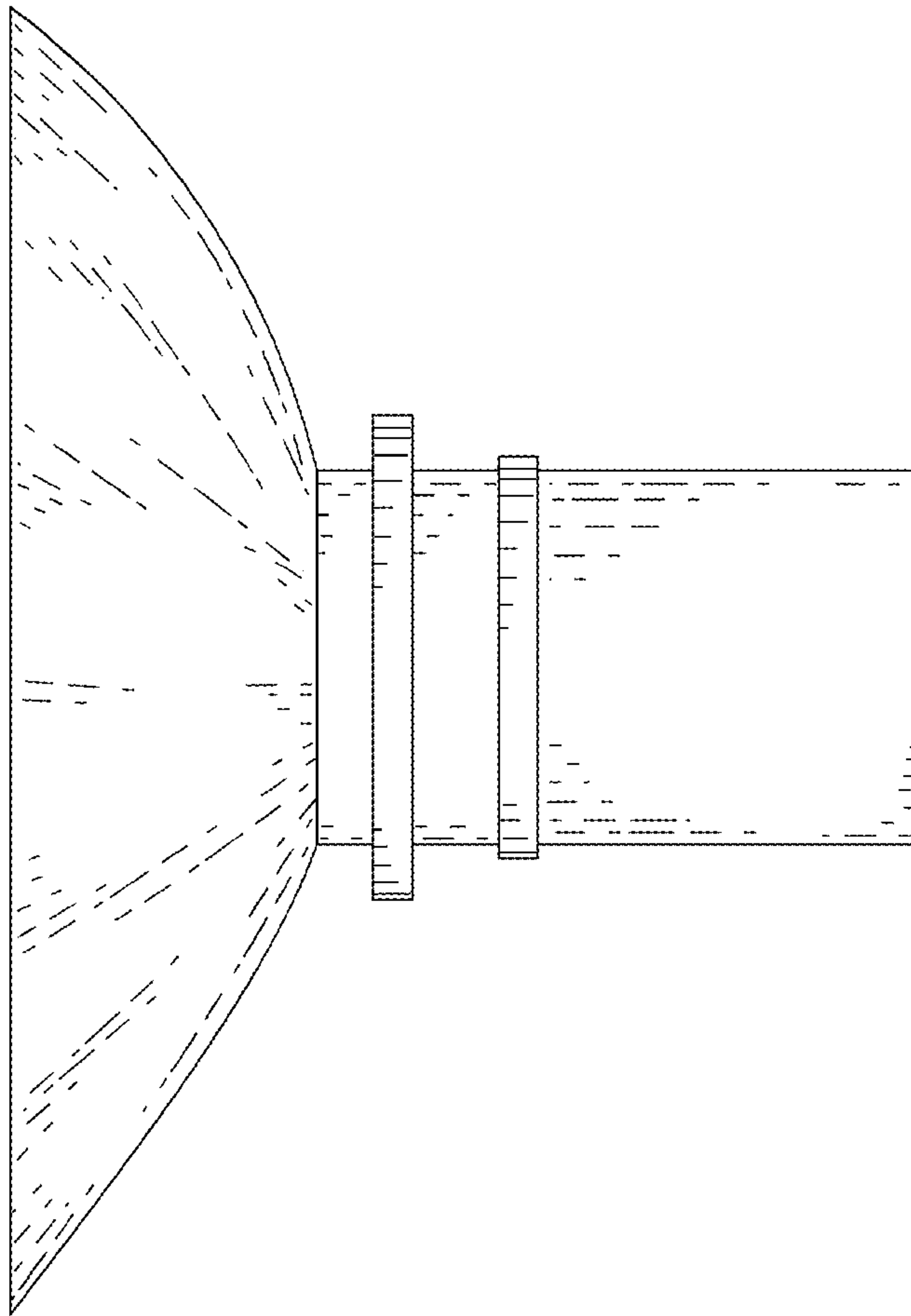


FIG. 3

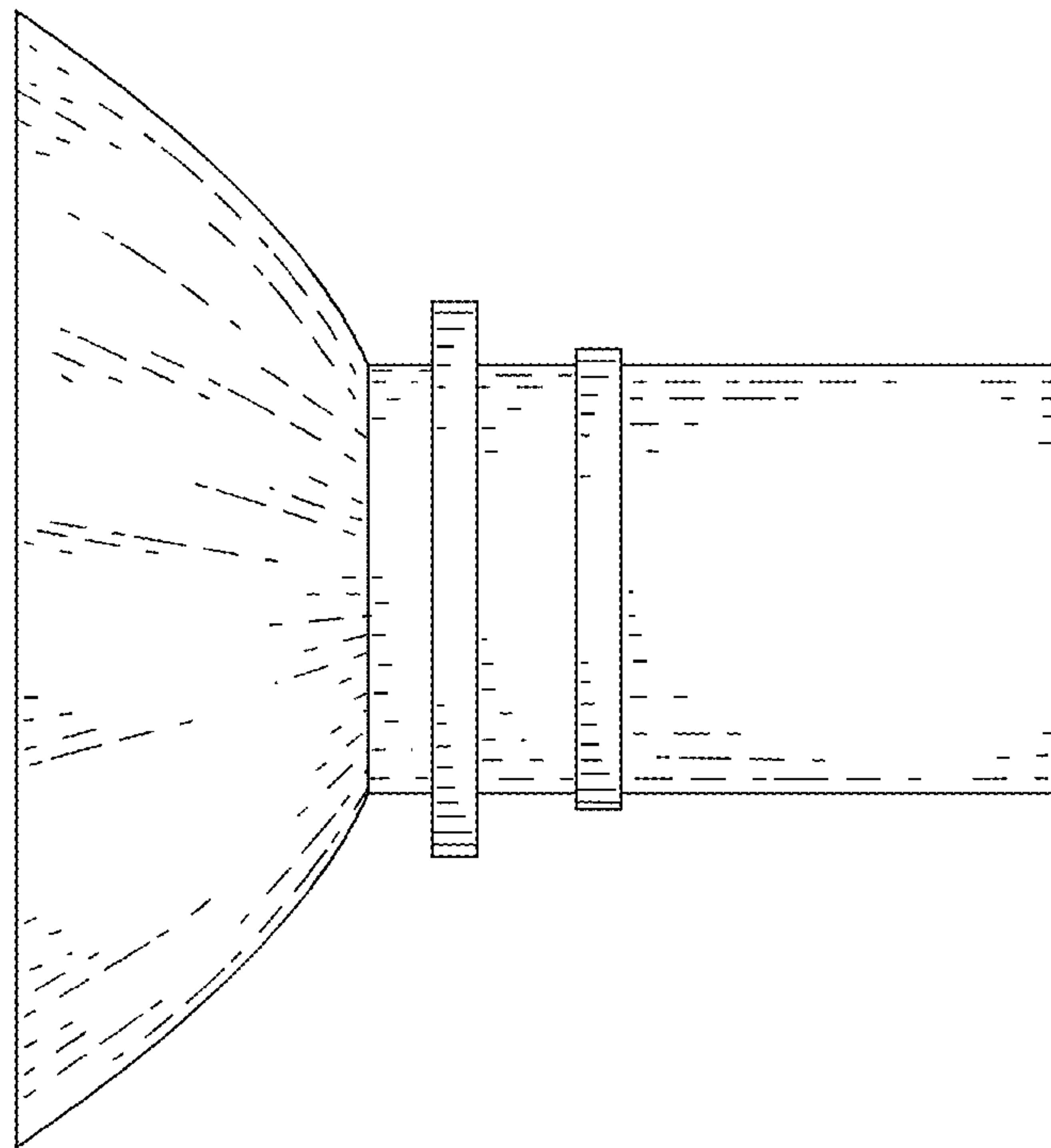


FIG. 4

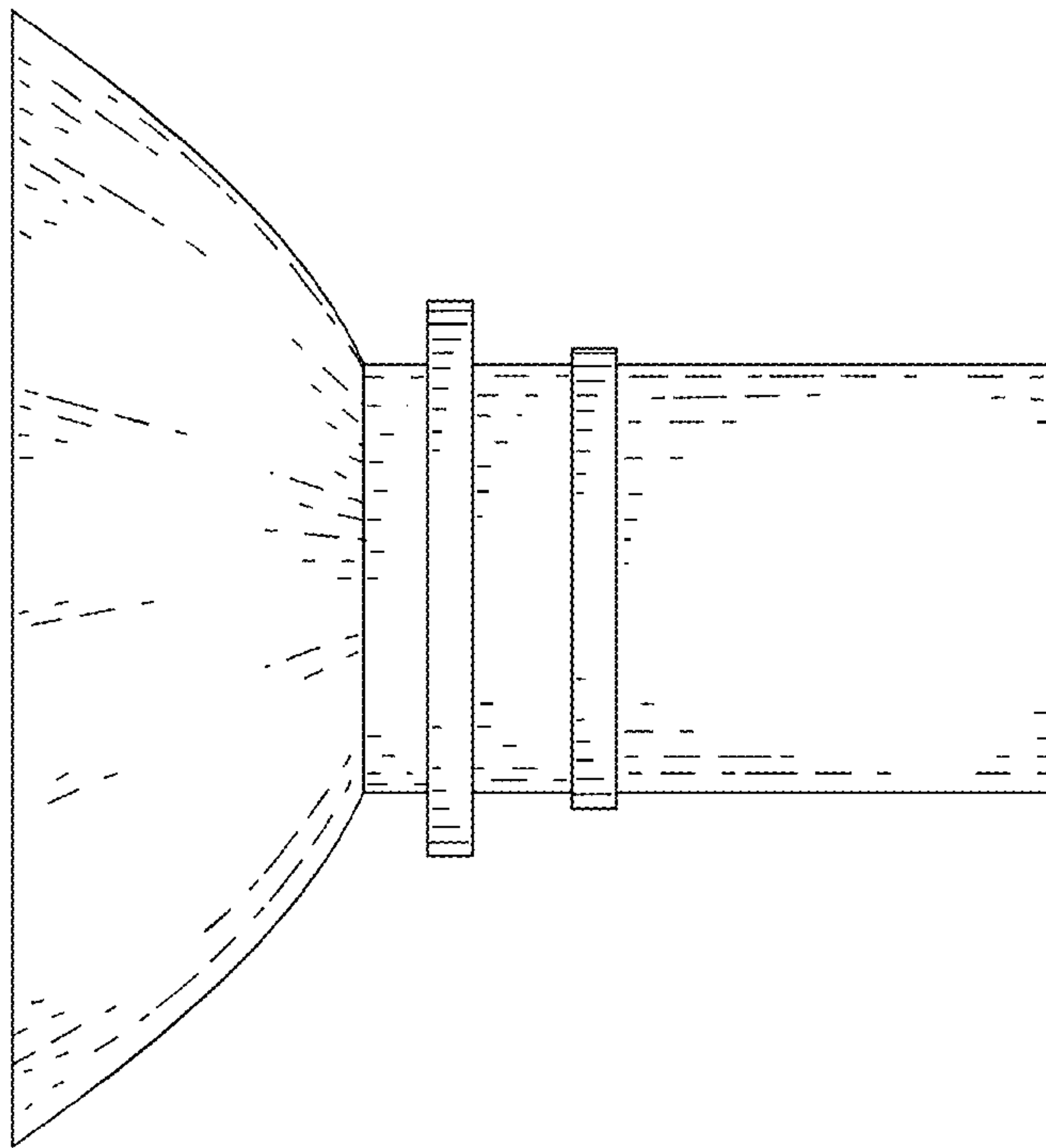


FIG. 5

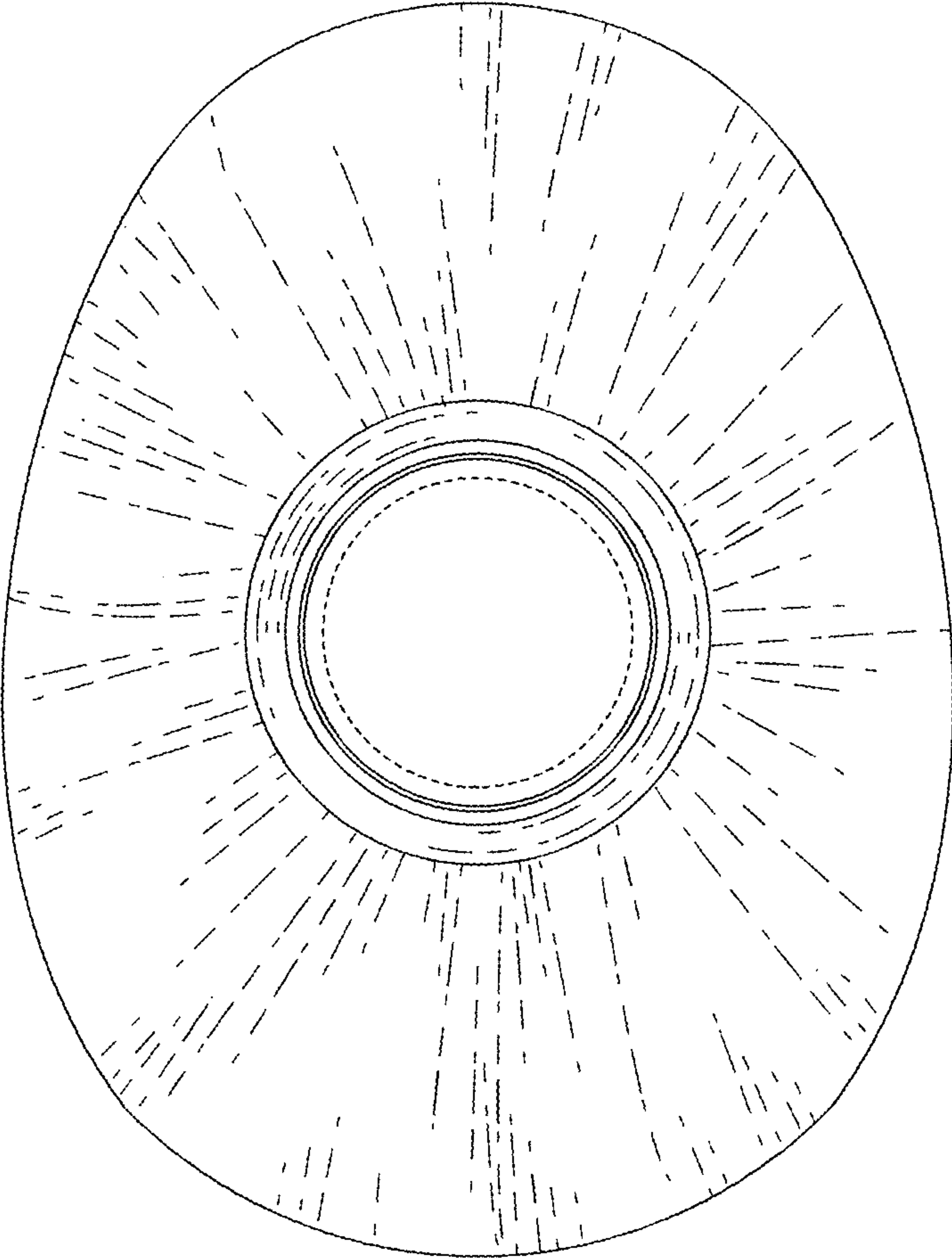


FIG. 6

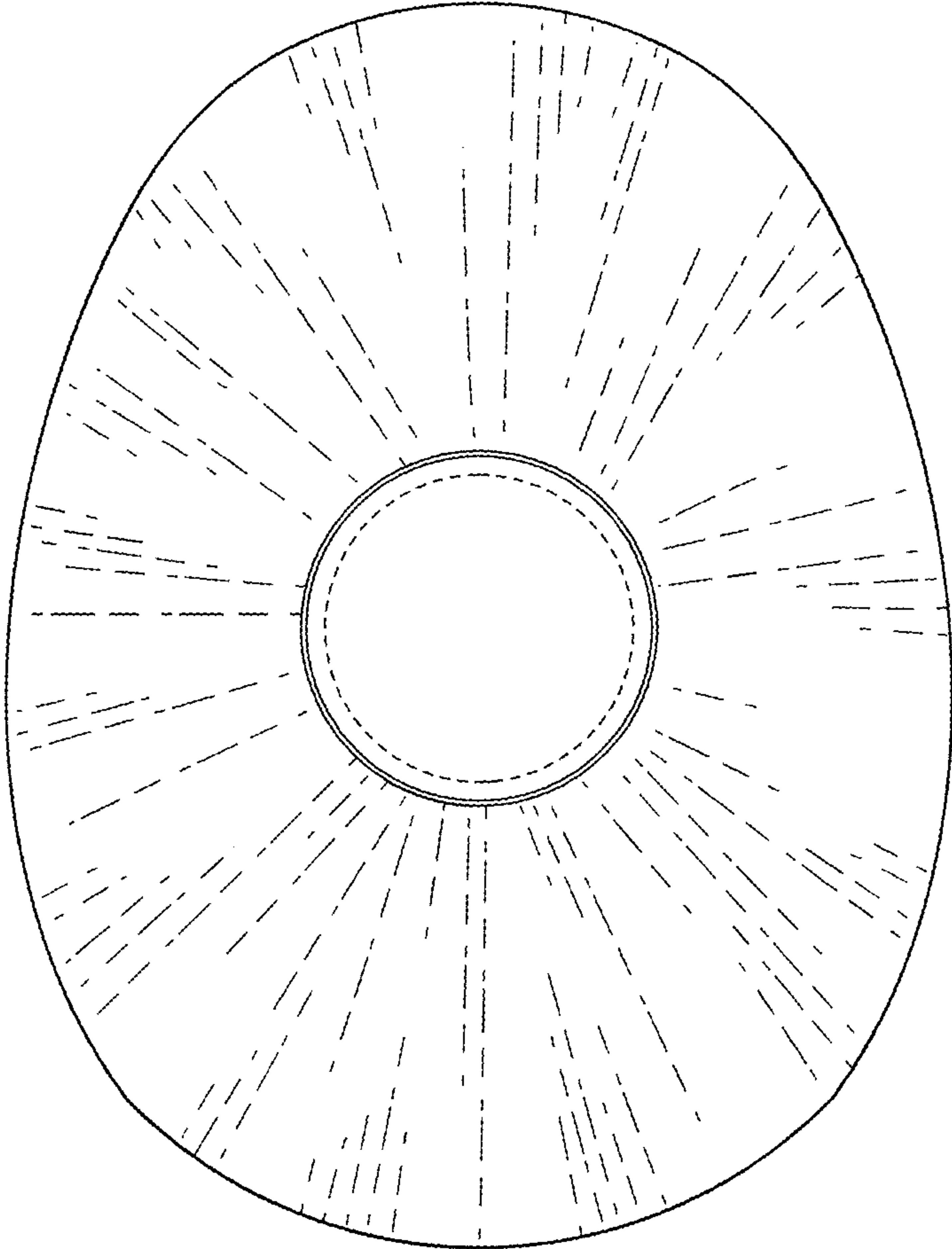


FIG. 7

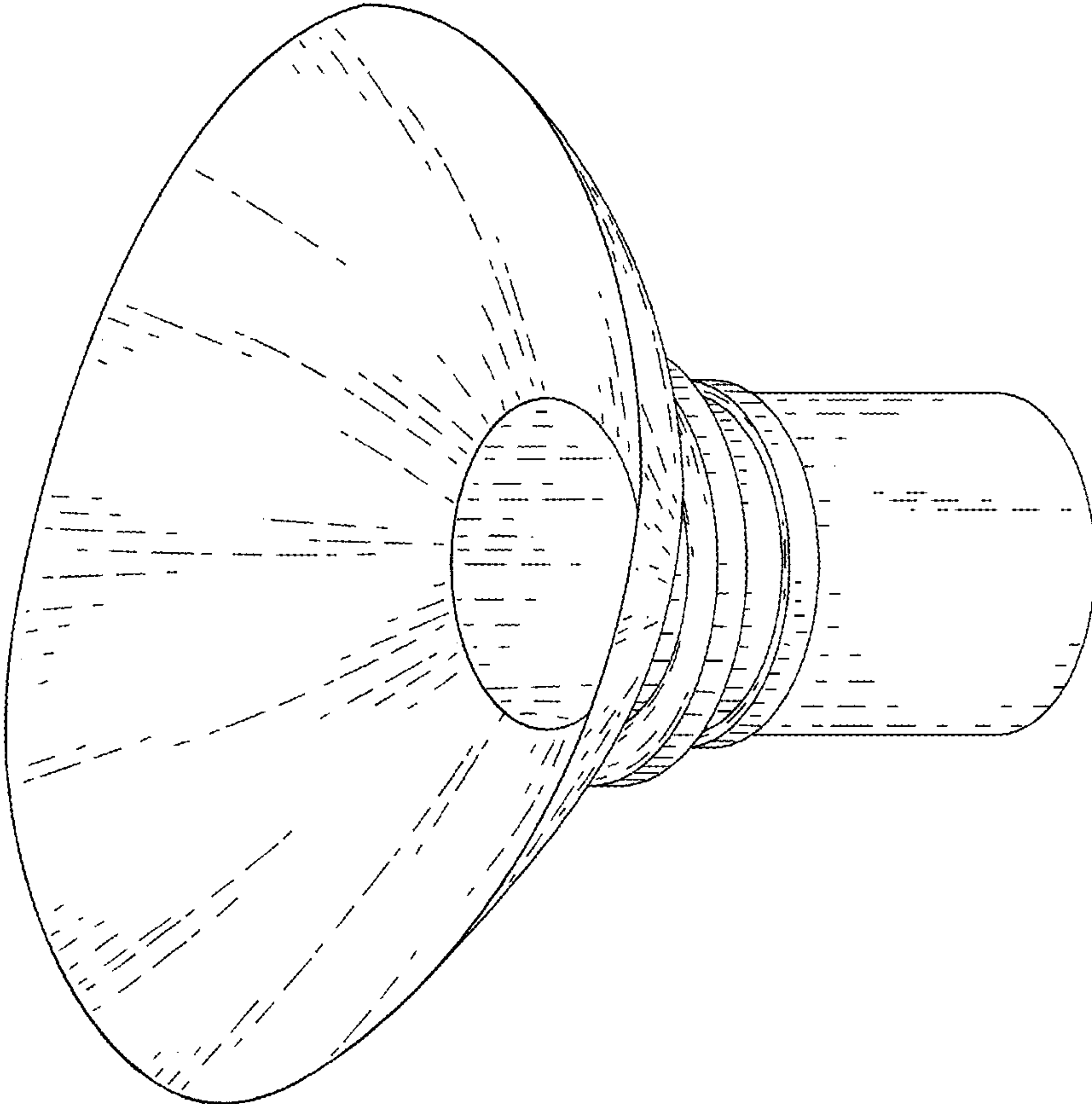


FIG. 8

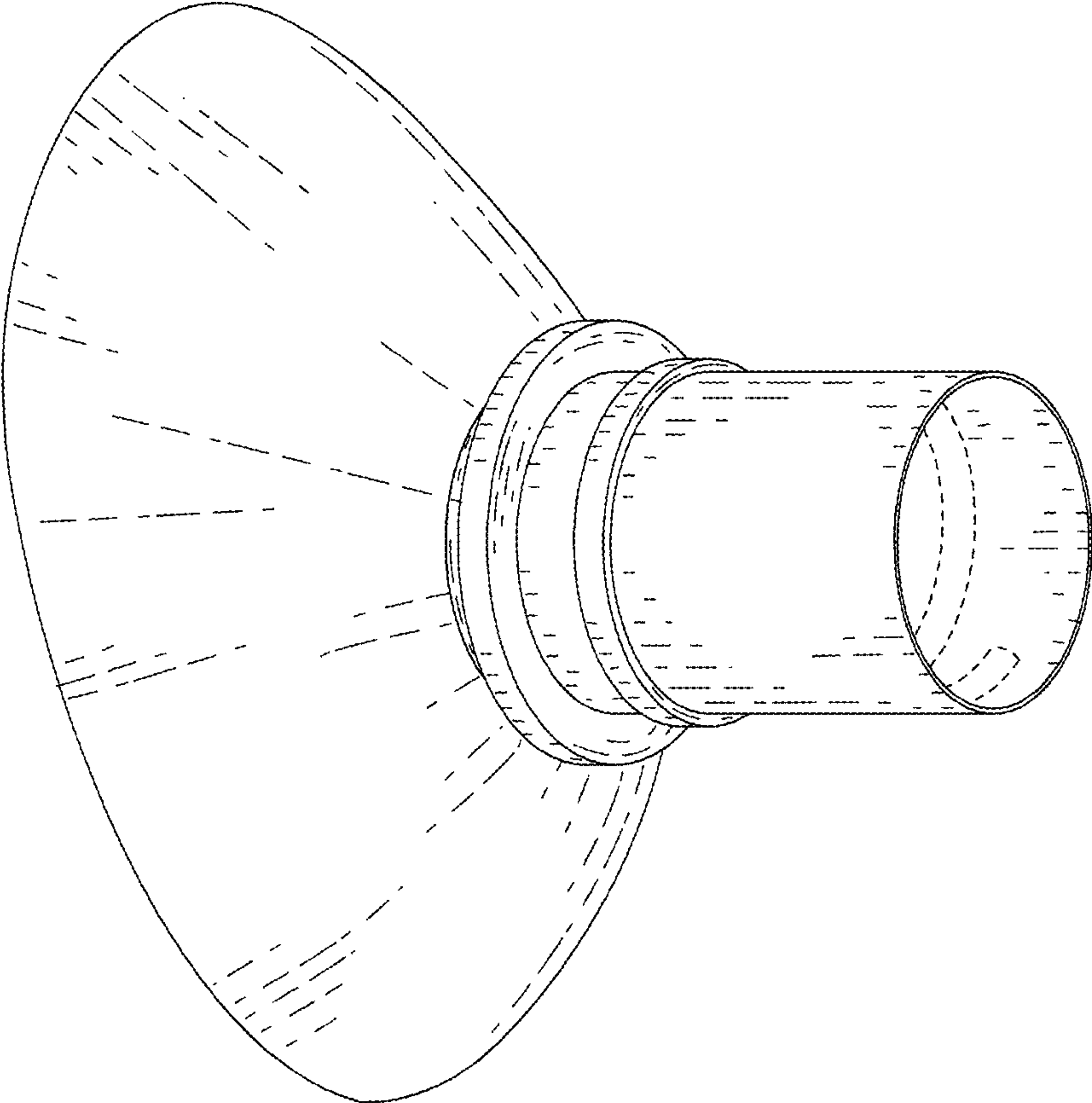


FIG. 9

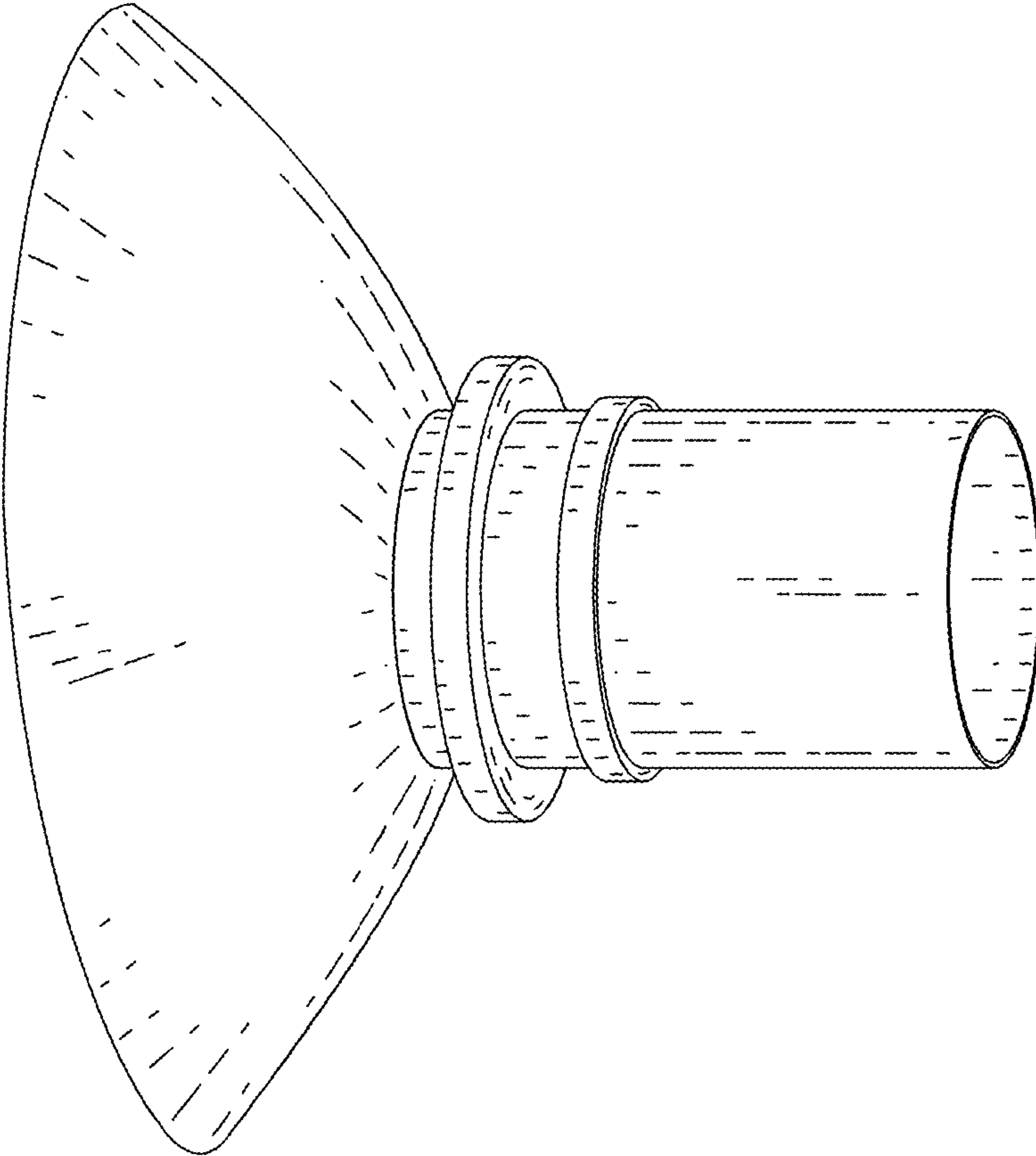


FIG. 10