



US00D814022S

(12) **United States Design Patent**
Boyaval et al.

(10) **Patent No.:** **US D814,022 S**
(45) **Date of Patent:** **** Mar. 27, 2018**

(54) **AUTOINJECTOR WITH REMOVABLE CAP**

(71) Applicant: **AMGEN INC.**, Thousand Oaks, CA (US)

(72) Inventors: **Margaux Frances Boyaval**, Newbury Park, CA (US); **Sigrid Moeslinger**, New York, NY (US); **Masamichi Udagawa**, New York, NY (US)

(73) Assignee: **AMGEN INC.**, Thousand Oaks, CA (US)

(**) Term: **15 Years**

(21) Appl. No.: **29/561,893**

(22) Filed: **Apr. 20, 2016**

(51) **LOC (11) Cl.** **24-02**

(52) **U.S. Cl.**
USPC **D24/113**

(58) **Field of Classification Search**
USPC D24/112-114, 133, 186, 127-131;
606/181, 185; 604/264, 272, 115, 232,
(Continued)

(56) **References Cited**

U.S. PATENT DOCUMENTS

D321,472 S * 11/1991 Evans D24/130
D443,641 S * 6/2001 Mader D19/117
(Continued)

Primary Examiner — David Muller

Assistant Examiner — Nathan Johnston

(74) *Attorney, Agent, or Firm* — Marshall, Gerstein & Borun LLP

(57) **CLAIM**

The ornamental design for an autoinjector with removable cap, as shown and described.

DESCRIPTION

FIG. 1 is a perspective view of our first embodiment showing a new design for an autoinjector with a removable

cap having a cylindrical side profile, showing the removable cap disposed on the autoinjector;

FIG. 2 is a front elevation view thereof;

FIG. 3 is a rear elevation view thereof;

FIG. 4 is a left-side elevation view thereof;

FIG. 5 is a right-side elevation view thereof;

FIG. 6 is a top plan view thereof;

FIG. 7 is a bottom plan view thereof;

FIG. 8 is a perspective view showing the autoinjector with removable cap of FIGS. 1-7 with the removable cap removed;

FIG. 9 is a perspective view of our second embodiment showing a new design for an autoinjector with a removable cap having a triangular shaped side profile, showing a removable cylindrical cap having a triangular shaped side profile disposed on the autoinjector;

FIG. 10 is a front elevation view thereof;

FIG. 11 is a rear elevation view thereof;

FIG. 12 is a left-side elevation view thereof;

FIG. 13 is a right-side elevation view thereof;

FIG. 14 is a top plan view thereof;

FIG. 15 is a bottom plan view thereof;

FIG. 16 is a perspective view showing the autoinjector with removable cap of FIGS. 9-15 with the removable cap removed;

FIG. 17 is a perspective view of our third embodiment showing a new design for an autoinjector with a removable cap having a flared side profile, showing a removable cylindrical cap having a triangular shaped side profile disposed on the autoinjector;

FIG. 18 is a front elevation view thereof;

FIG. 19 is a rear elevation view thereof;

FIG. 20 is a left-side elevation view thereof;

FIG. 21 is a right-side elevation view thereof;

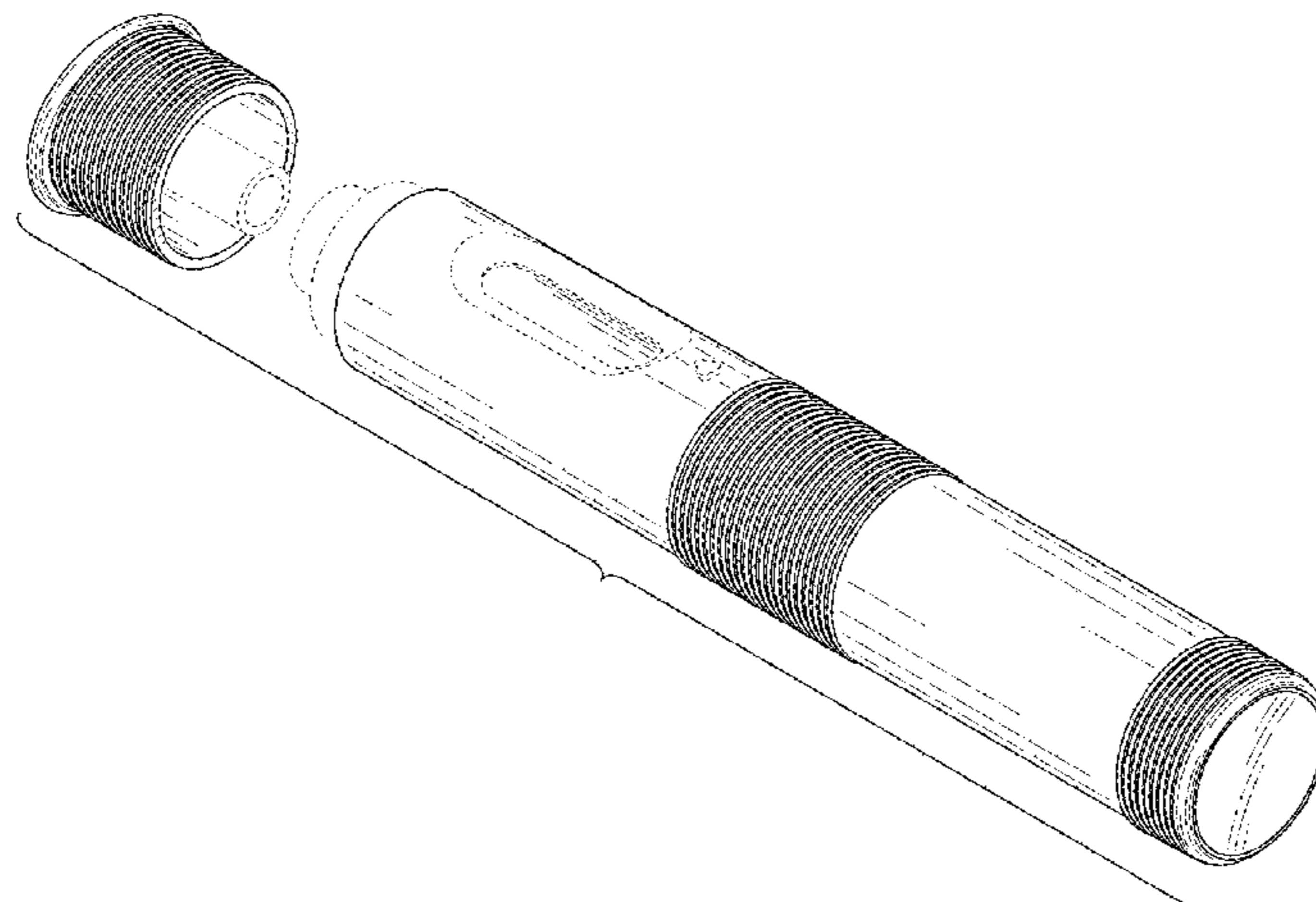
FIG. 22 is a top plan view thereof;

FIG. 23 is a bottom plan view thereof; and,

FIG. 24 is a perspective view showing the autoinjector with removable cap of FIGS. 17-23 with the removable cap removed.

The dashed lines showing portions of the autoinjector drug delivery device are included for the purpose of illustrating environment and form no part of the claimed design.

1 Claim, 12 Drawing Sheets



(58) **Field of Classification Search**

USPC .. 604/187, 158, 164.08, 192, 263, 163, 181,
604/184, 198, 227; 600/101, 139, 143;
128/200.24, 207.14, 207.15;
D19/115-123, 177, 193
CPC A61M 5/3156; A61M 5/31591; A61M
5/3155; A61M 5/3157; A61M 5/24;
A61M 5/31501; A61M 5/31551; A61M
5/31585; A61M 2005/2407; A61M
2005/2492; A61M 2205/581; A61M
2205/582

See application file for complete search history.

(56) **References Cited**

U.S. PATENT DOCUMENTS

D622,374 S *	8/2010	Julian	D24/113
D629,509 S *	12/2010	Julian	D24/113
D697,205 S *	1/2014	Schneider	D24/113
D721,802 S *	1/2015	Ohashi	D24/113
D728,782 S *	5/2015	Dubuc	D24/113
D757,255 S *	5/2016	Wohlfahrt	D24/113
D773,648 S *	12/2016	Wohlfahrt	D24/113
D774,641 S *	12/2016	Miggels	D24/113
D780,909 S *	3/2017	Burkett	D24/113
2014/0371684 A1 *	12/2014	Holmqvist	A61M 5/3202 604/198
2016/0263325 A1 *	9/2016	Huthmacher	A61M 5/3243

* cited by examiner

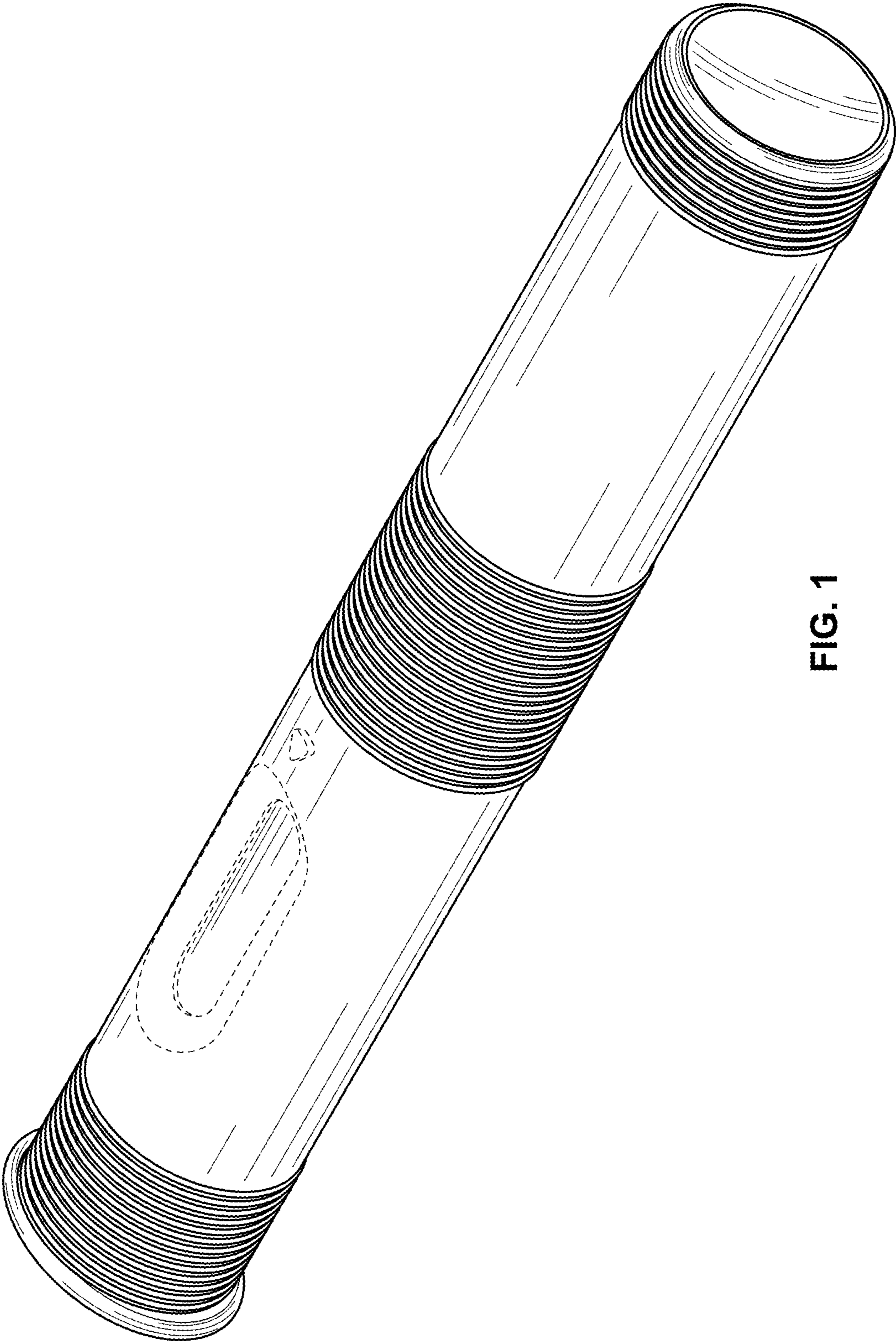


FIG. 1

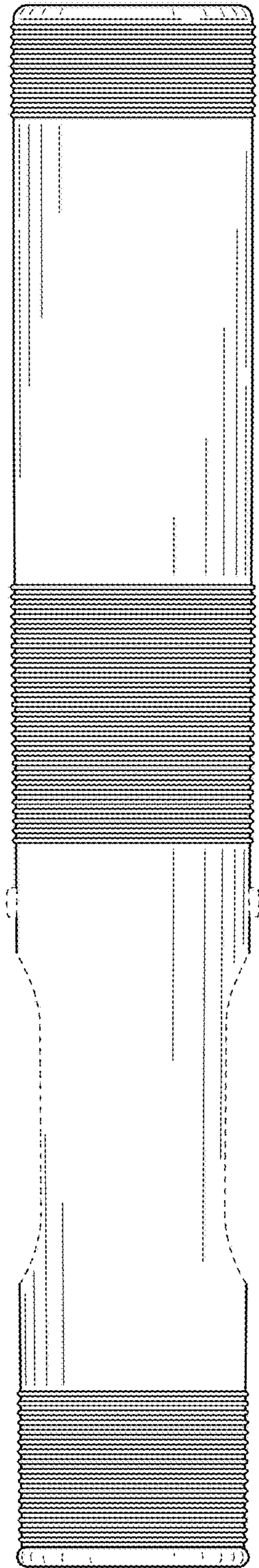


FIG. 2

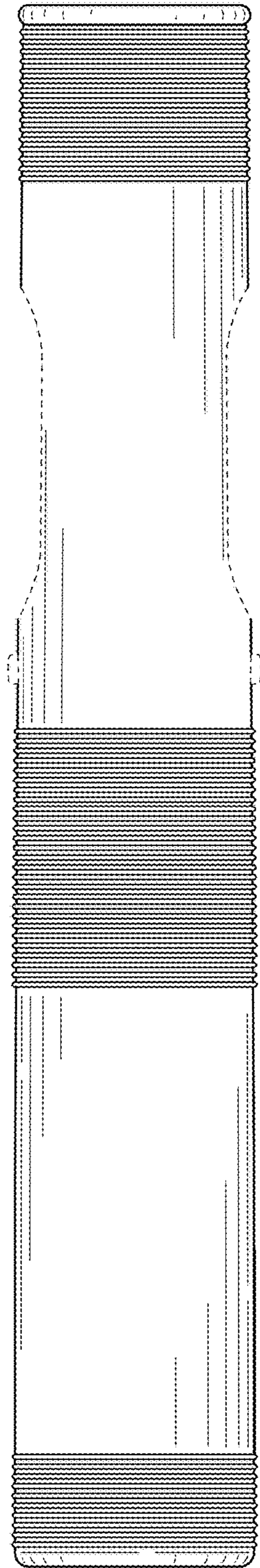


FIG. 3

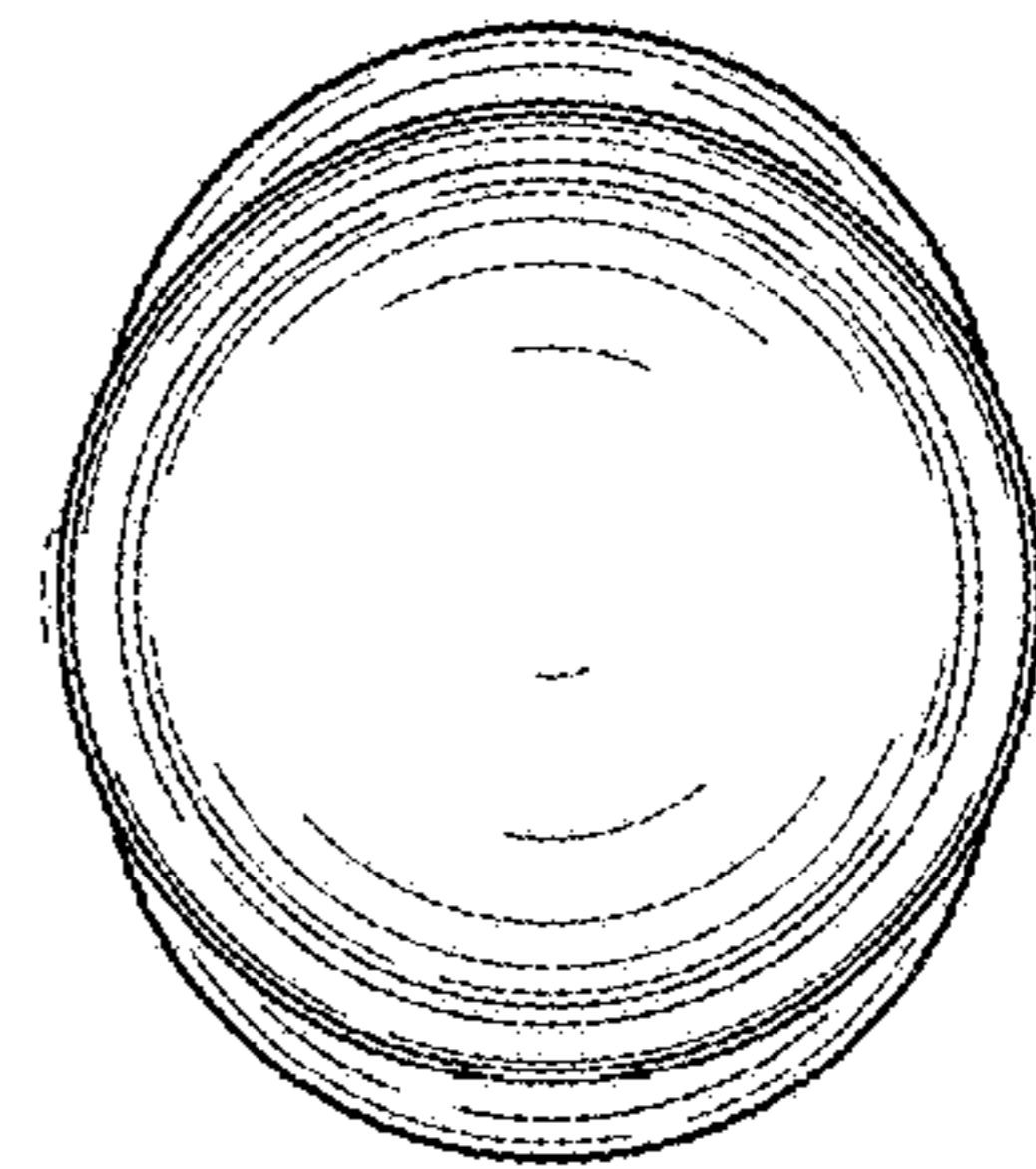


FIG. 4

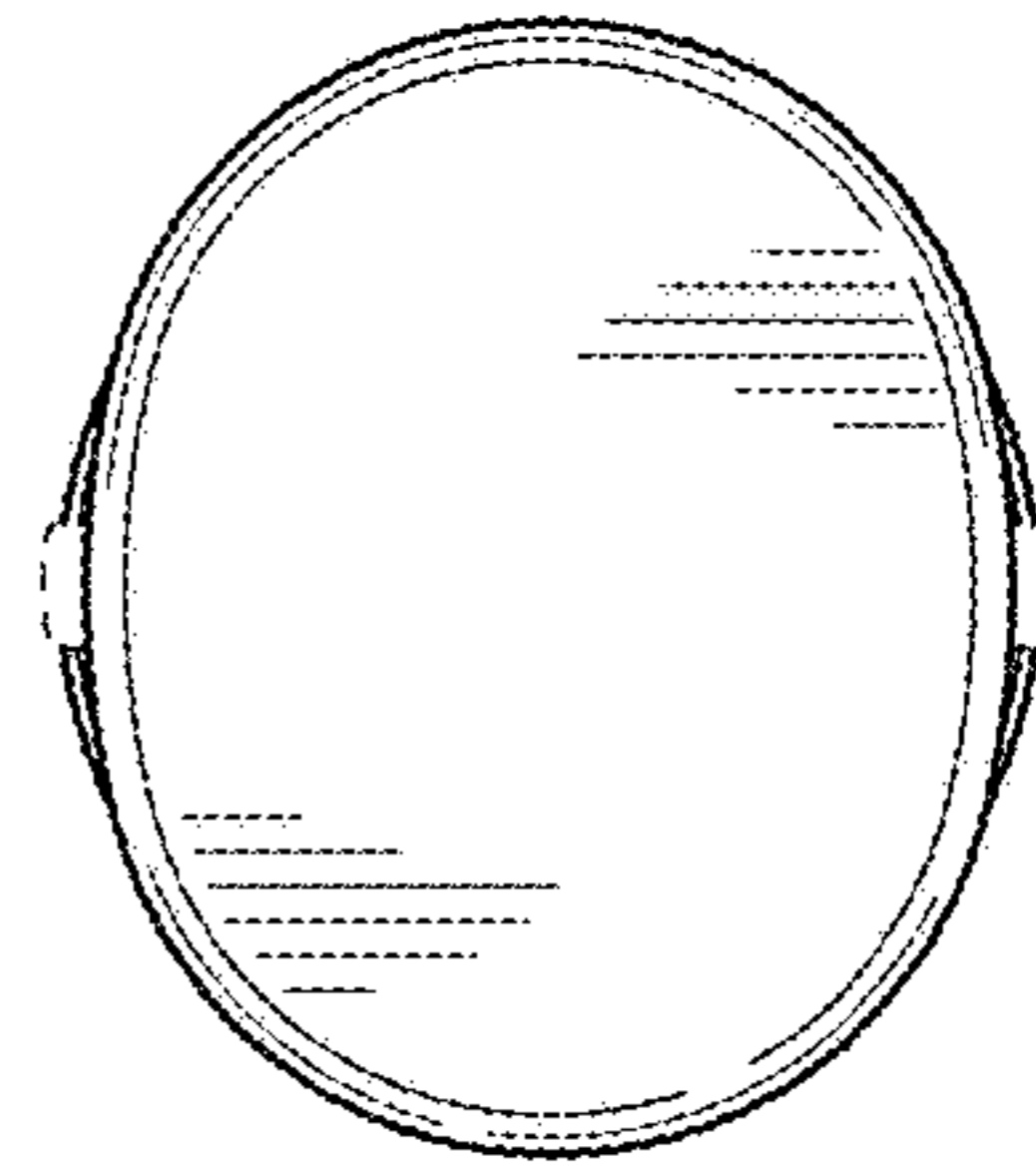


FIG. 5

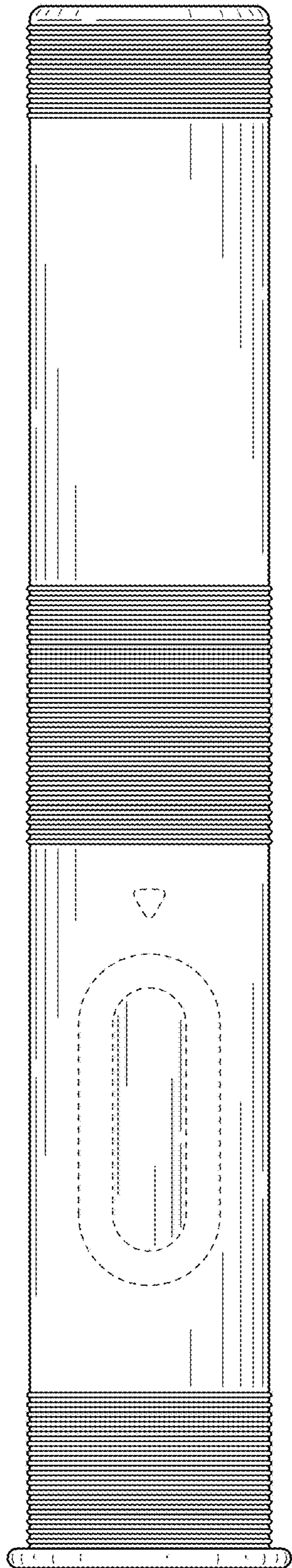


FIG. 6

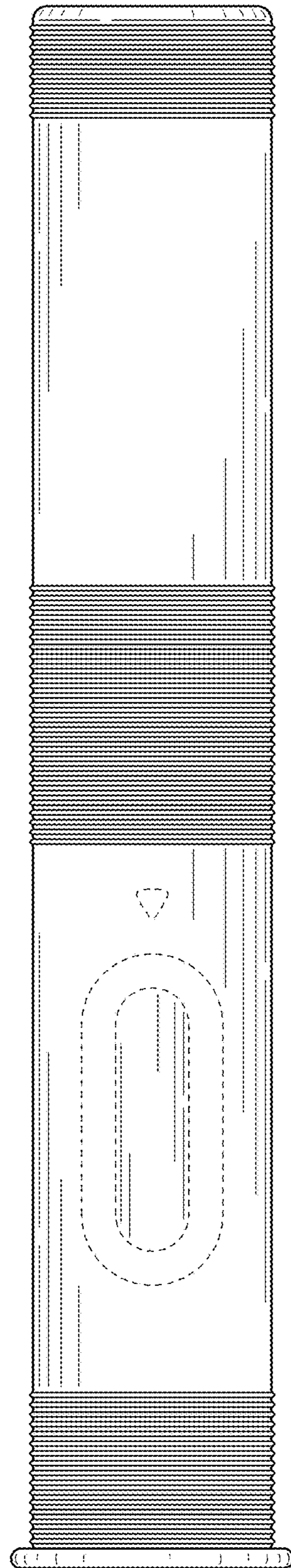


FIG. 7

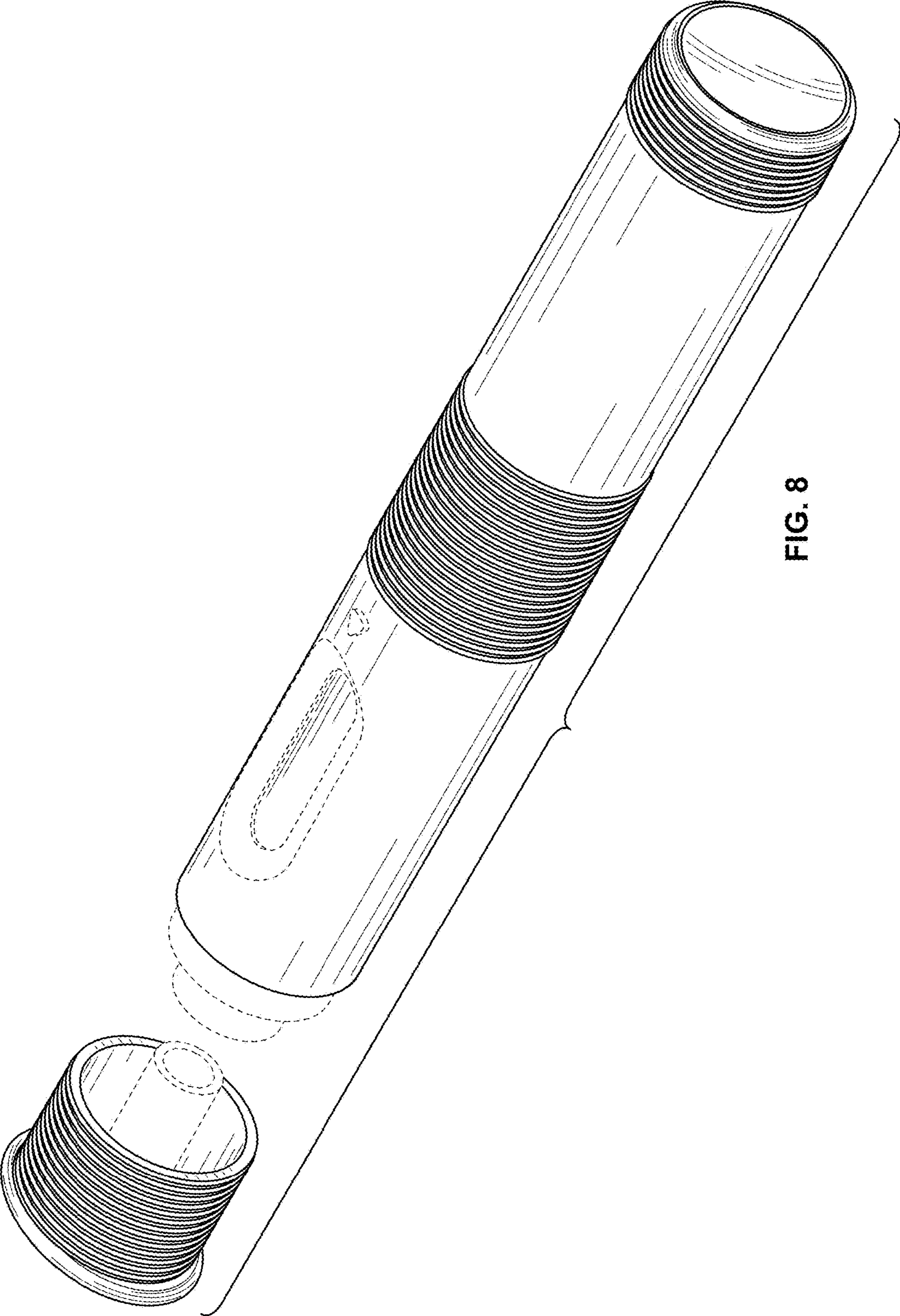


FIG. 8

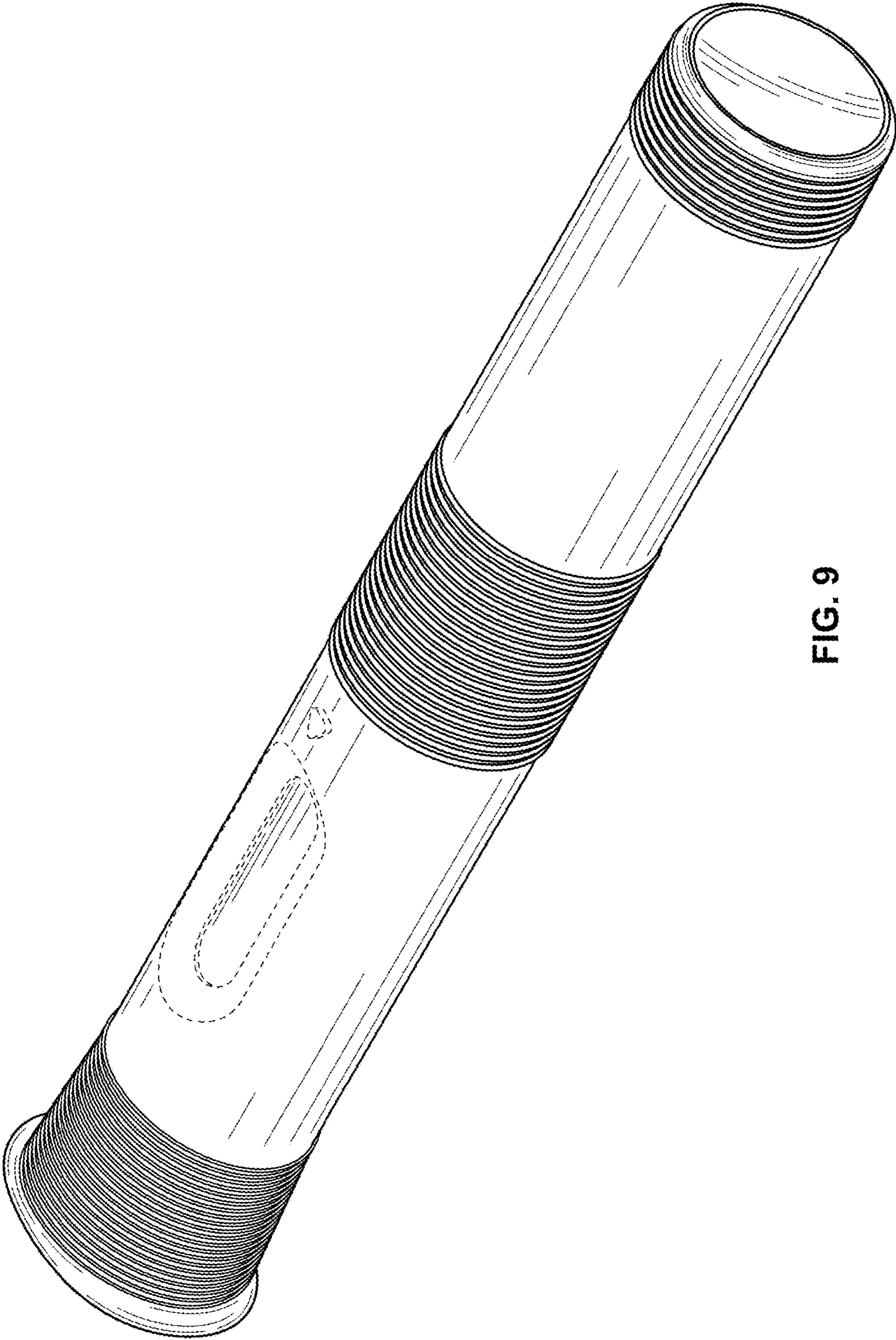


FIG. 9

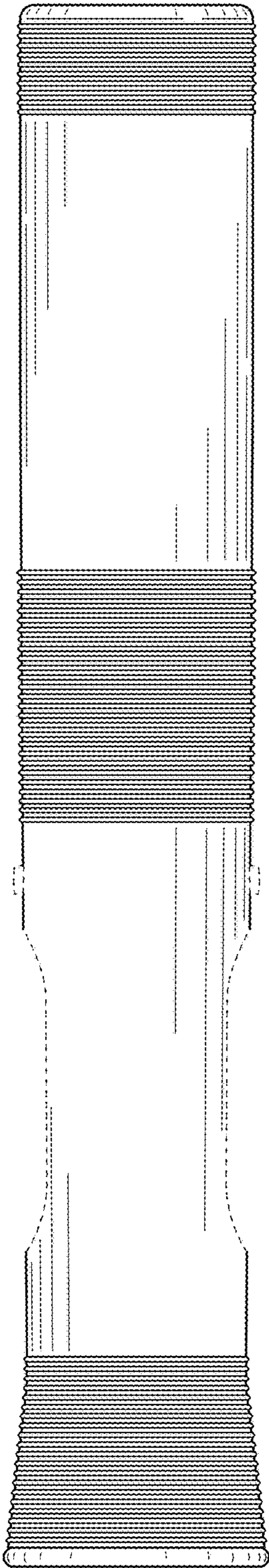


FIG. 10

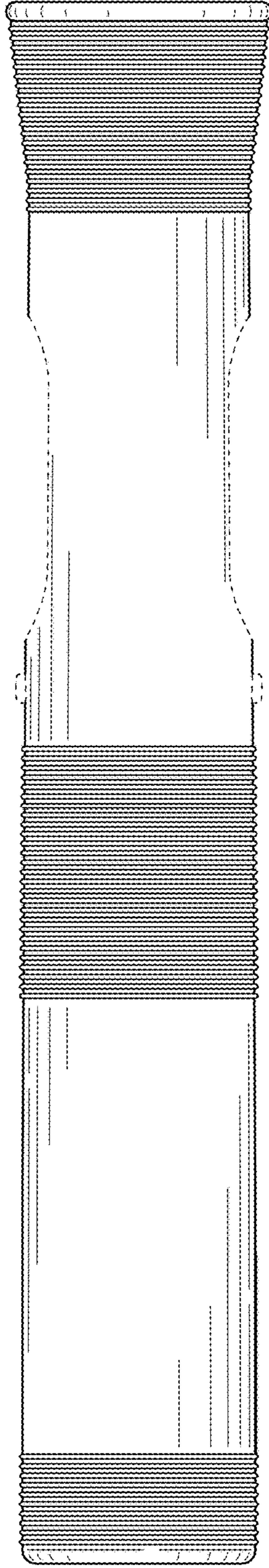


FIG. 11

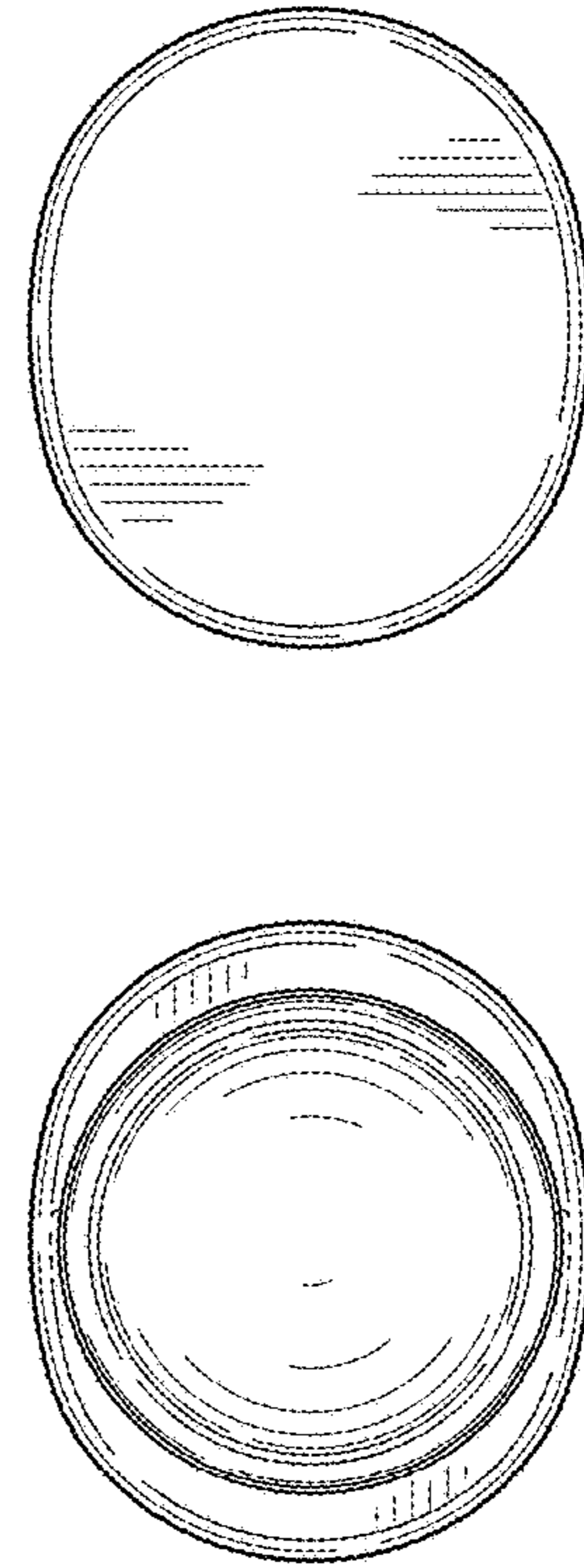


FIG. 13

FIG. 12

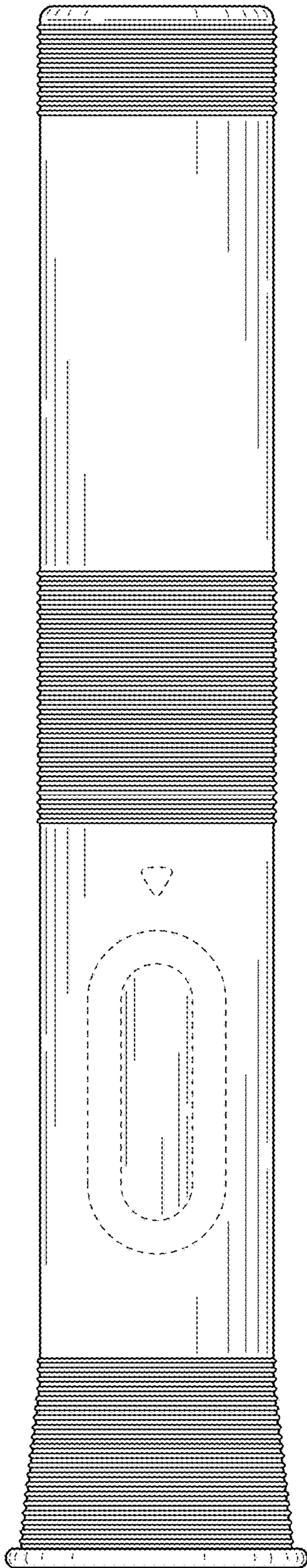


FIG. 14

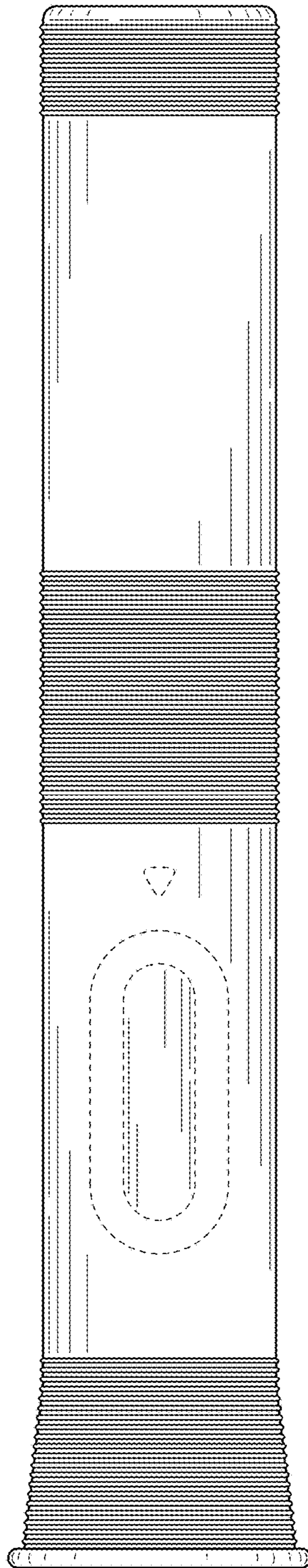


FIG. 15

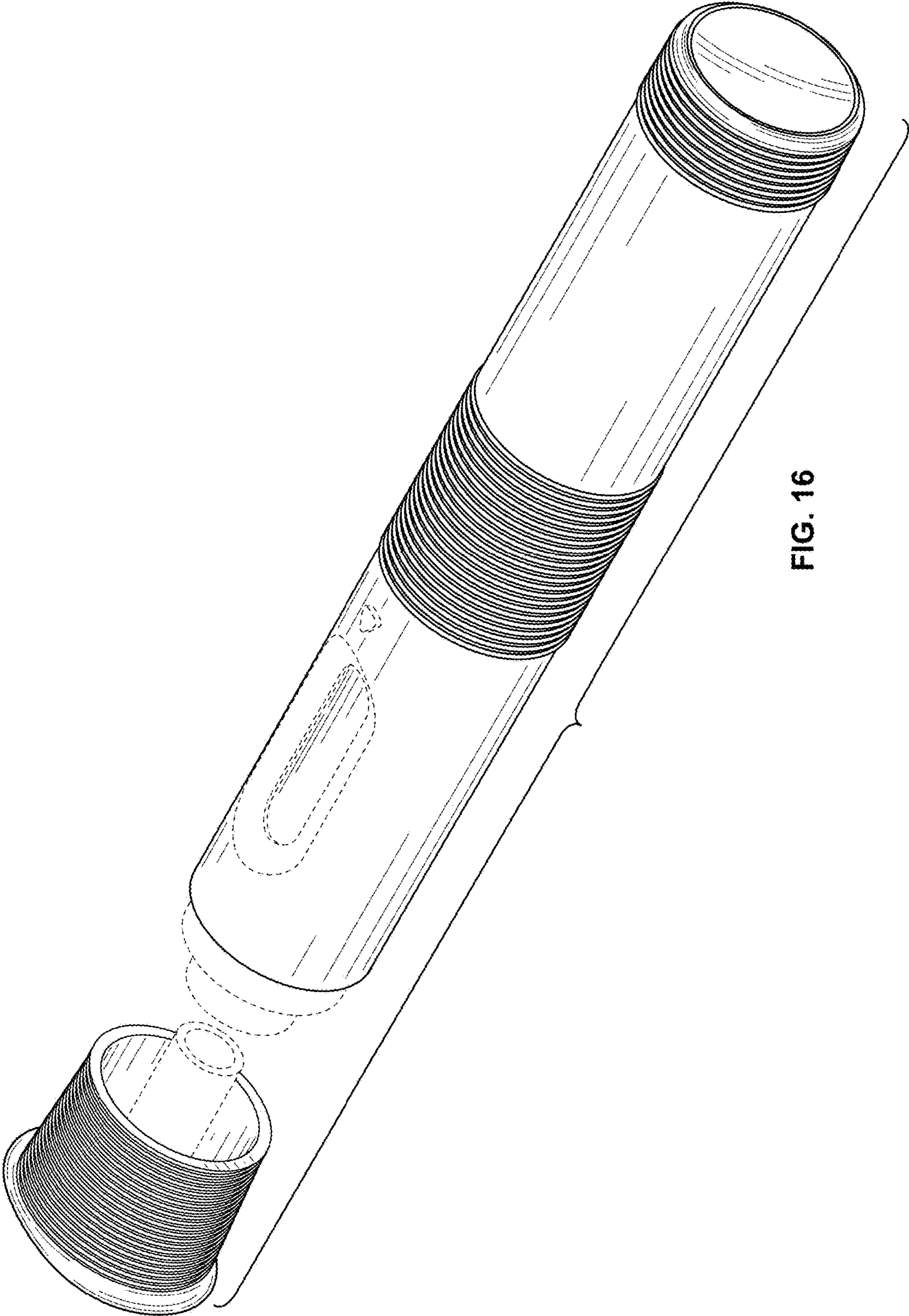


FIG. 16

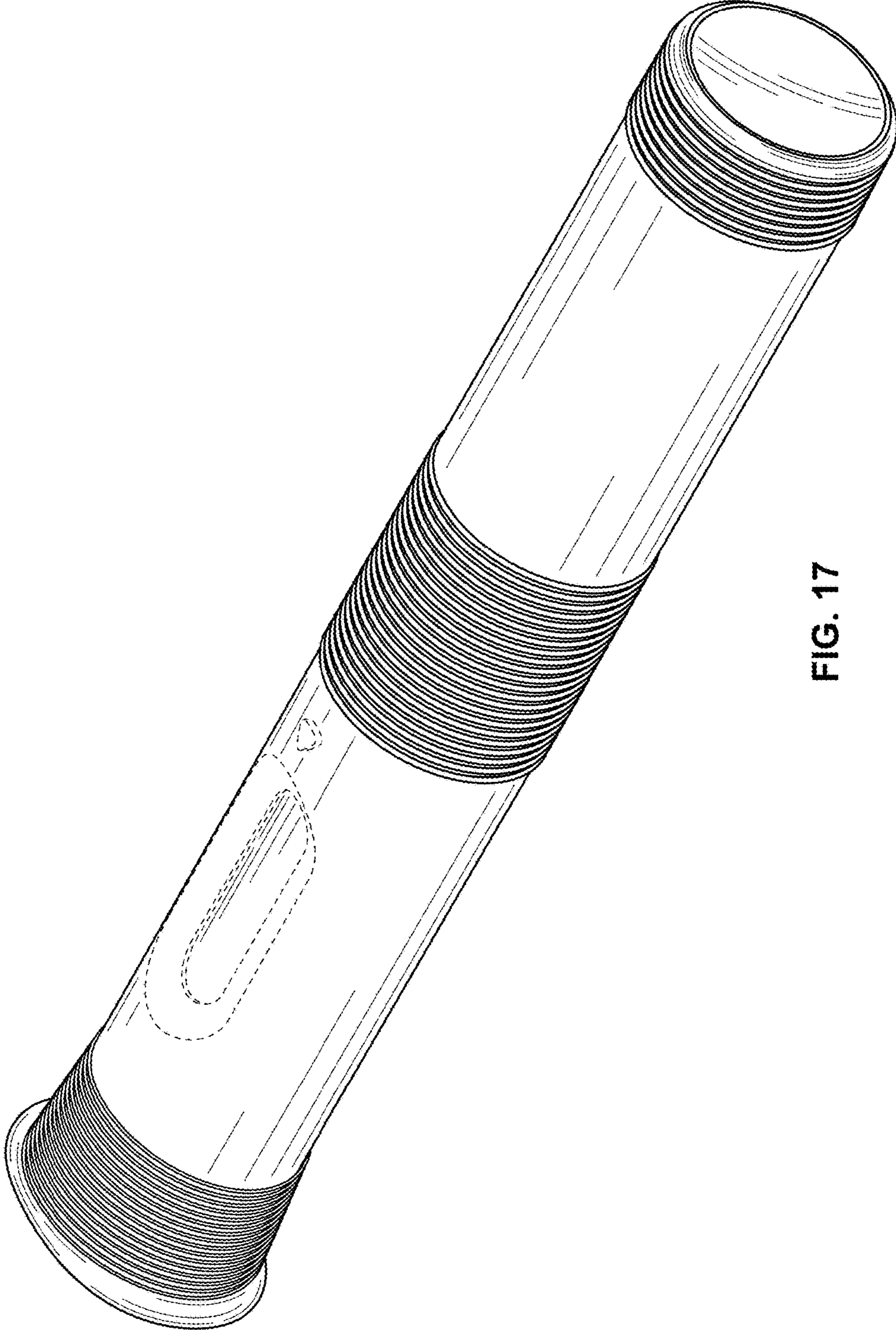


FIG. 17

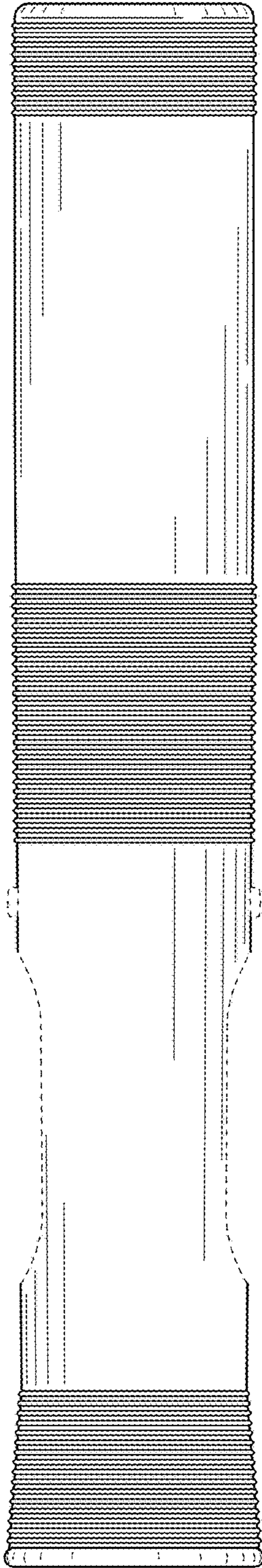


FIG. 18

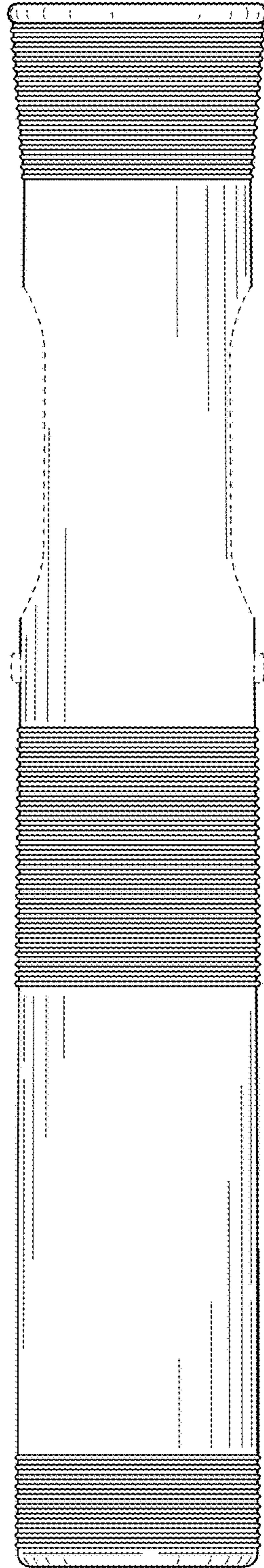


FIG. 19

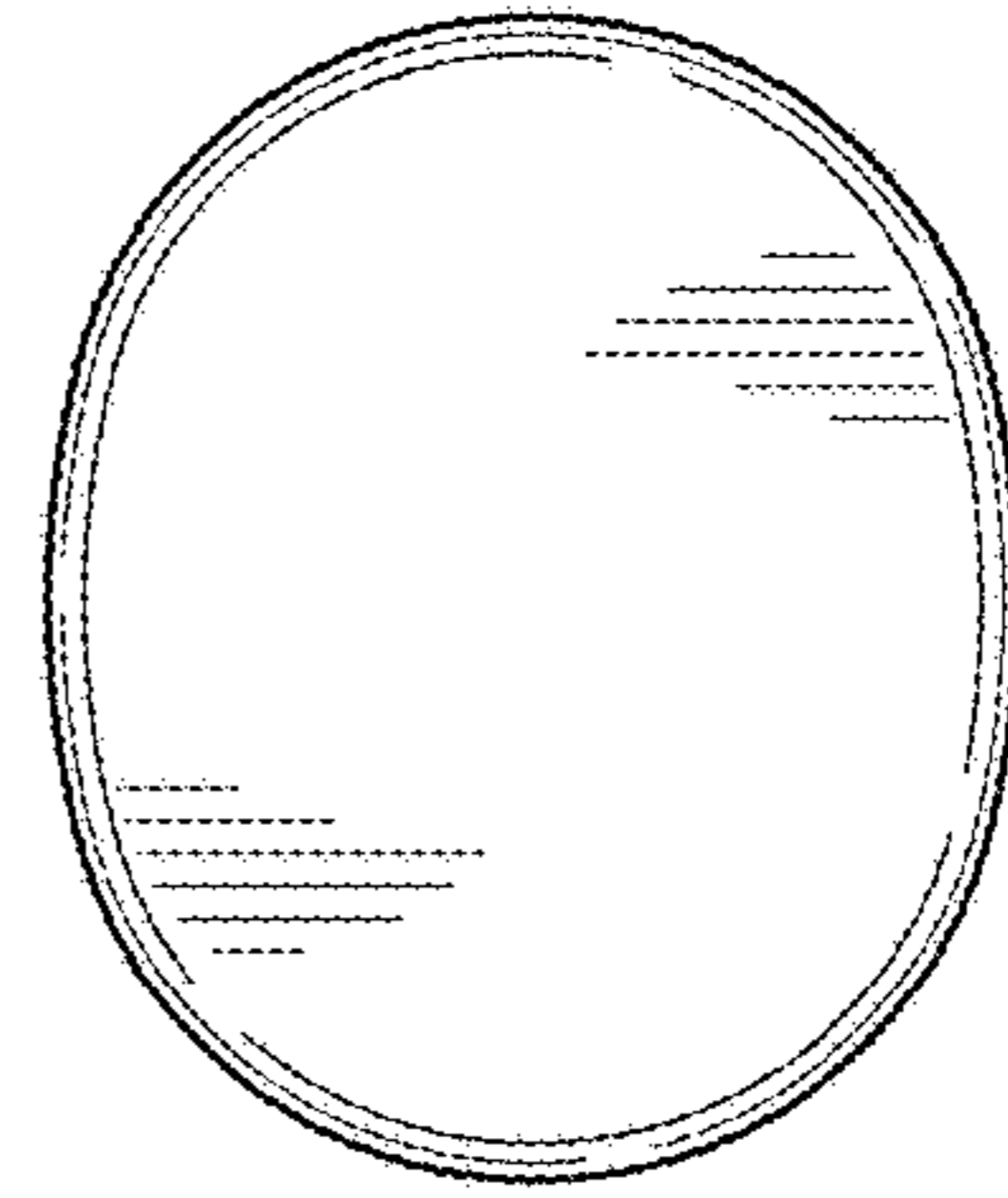


FIG. 21

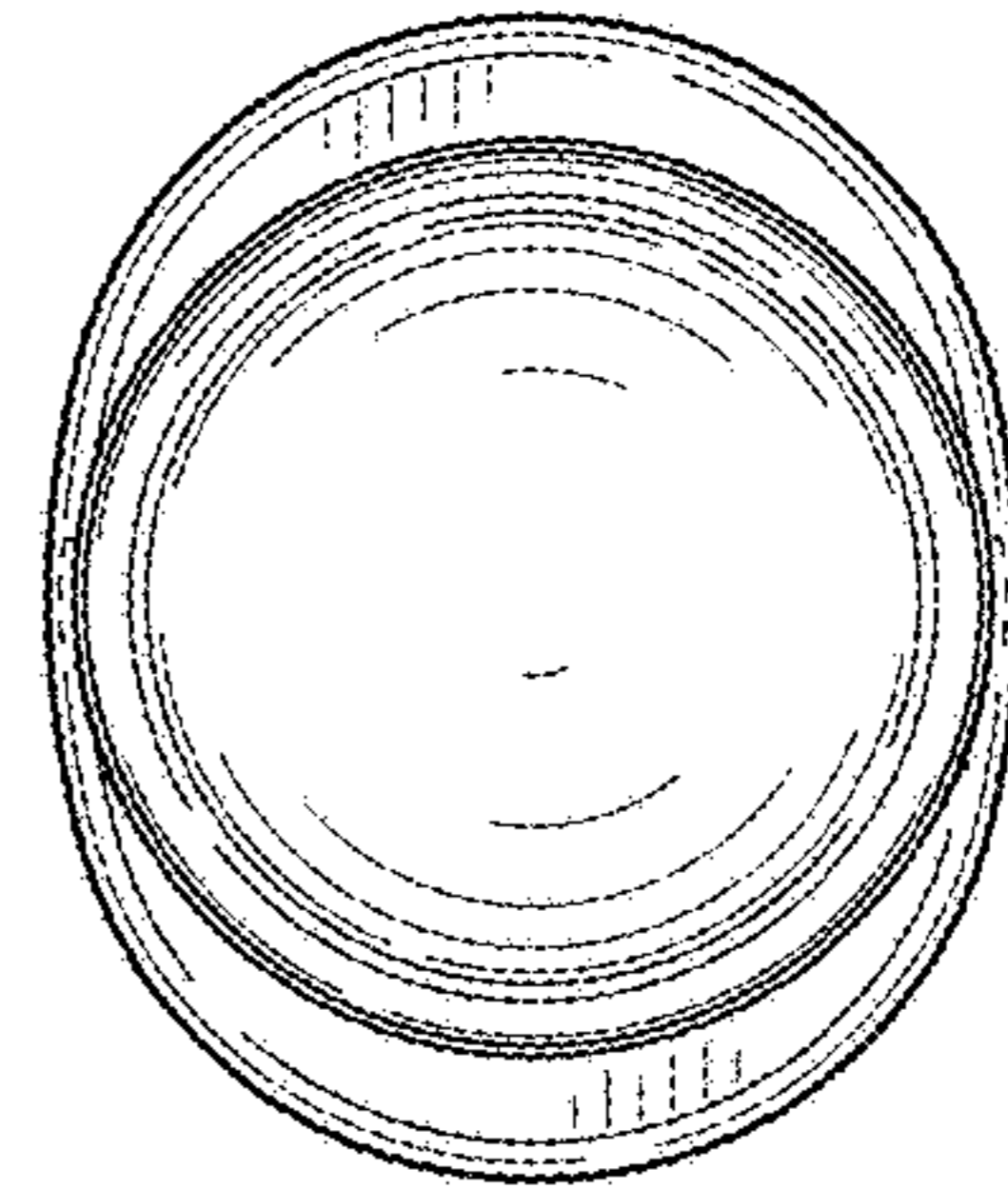


FIG. 20

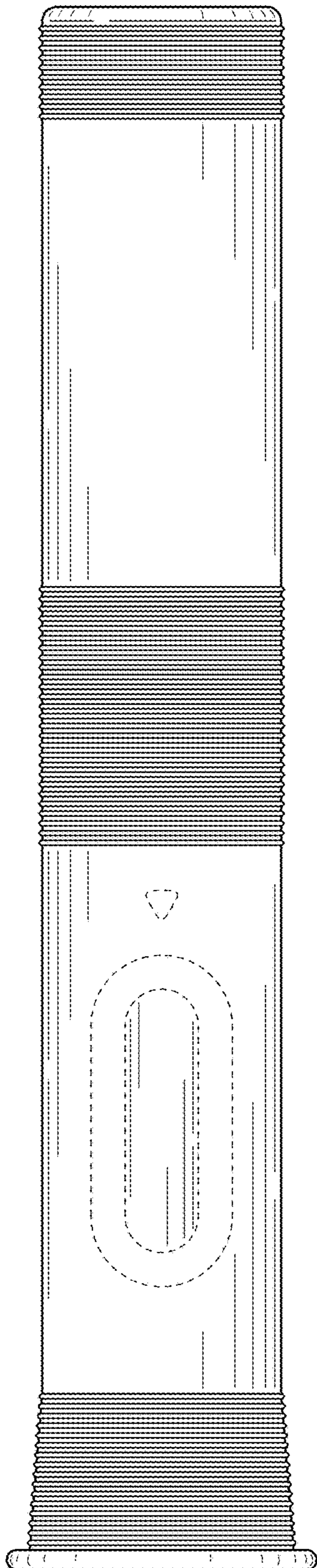


FIG. 22

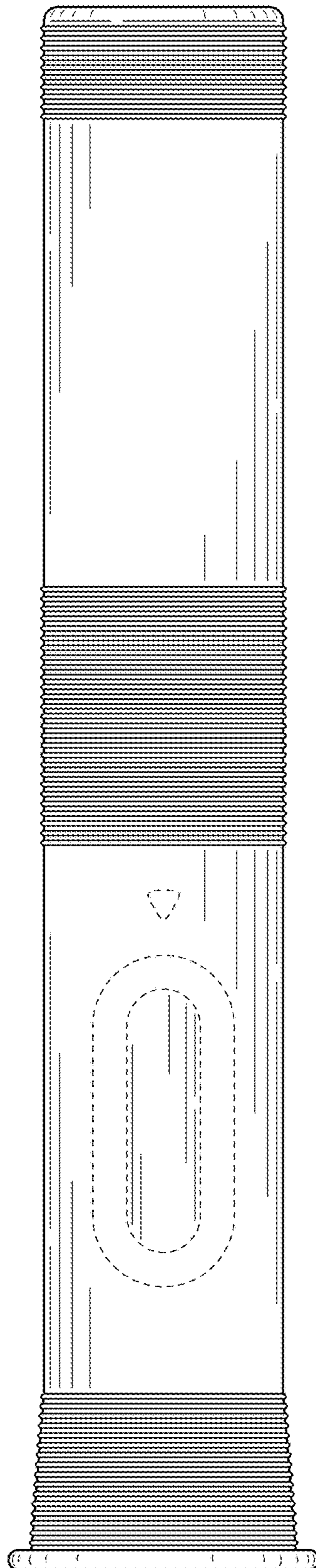


FIG. 23

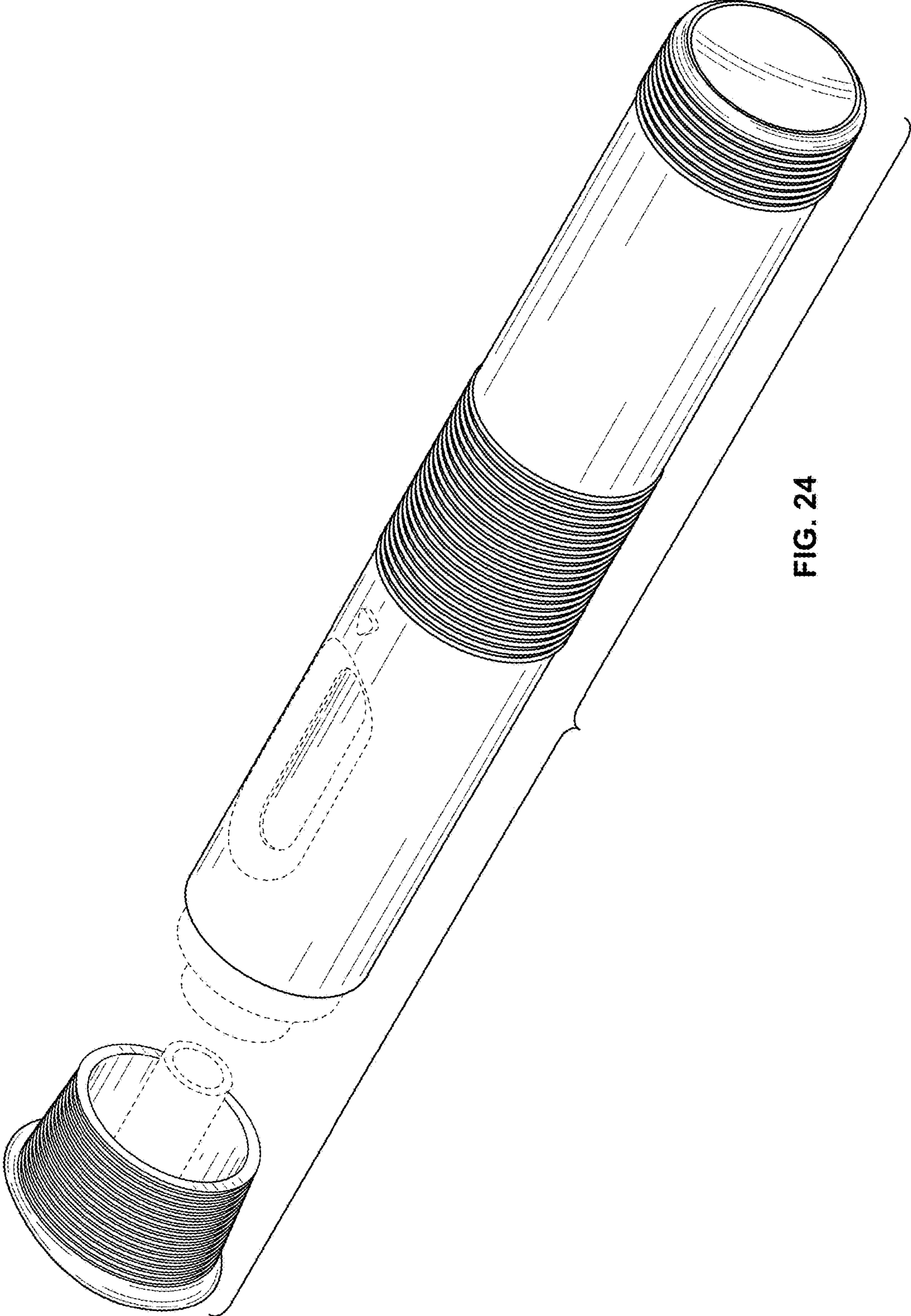


FIG. 24