



US00D814019S

(12) **United States Design Patent**
Crosby et al.

(10) **Patent No.:** **US D814,019 S**
(45) **Date of Patent:** **** Mar. 27, 2018**

(54) **INHALER DEVICE**

FOREIGN PATENT DOCUMENTS

(71) Applicant: **Glaxo Group Limited**, Brentford
Middlesex (GB)

DE 102009041664 A1 3/2011
EP 0129985 A1 1/1985
WO 2014/006135 A2 1/2014

(72) Inventors: **Gary Thomas Crosby**, Ware (GB);
John Deamer, Barnston (GB); **Philip**
William Farr, Ware (GB); **Stephen**
Maurice Pitson, Sturmer (GB); **Alan**
Anthony Wilson, Ware (GB)

Primary Examiner — Barbara Fox
Assistant Examiner — Lilyana Bekic
(74) *Attorney, Agent, or Firm* — James P. Riek; William
R Majarian

(73) Assignee: **Glaxo Group Limited**, Brentford,
Middlesex (GB)

(57) **CLAIM**

(**) Term: **15 Years**

The ornamental design for an inhaler device, as shown and
described.

(21) Appl. No.: **29/577,425**

DESCRIPTION

(22) Filed: **Sep. 13, 2016**

Related U.S. Application Data

(62) Division of application No. 29/495,890, filed on Jul.
7, 2014, now Pat. No. Des. 769,438.

(30) **Foreign Application Priority Data**

Jan. 8, 2014 (GB) 4033636
Jan. 8, 2014 (GB) 4033637
(Continued)

(51) **LOC (11) Cl.** **29-02**

(52) **U.S. Cl.**
USPC **D24/110**

(58) **Field of Classification Search**
USPC D24/107, 108, 110, 127, 164
(Continued)

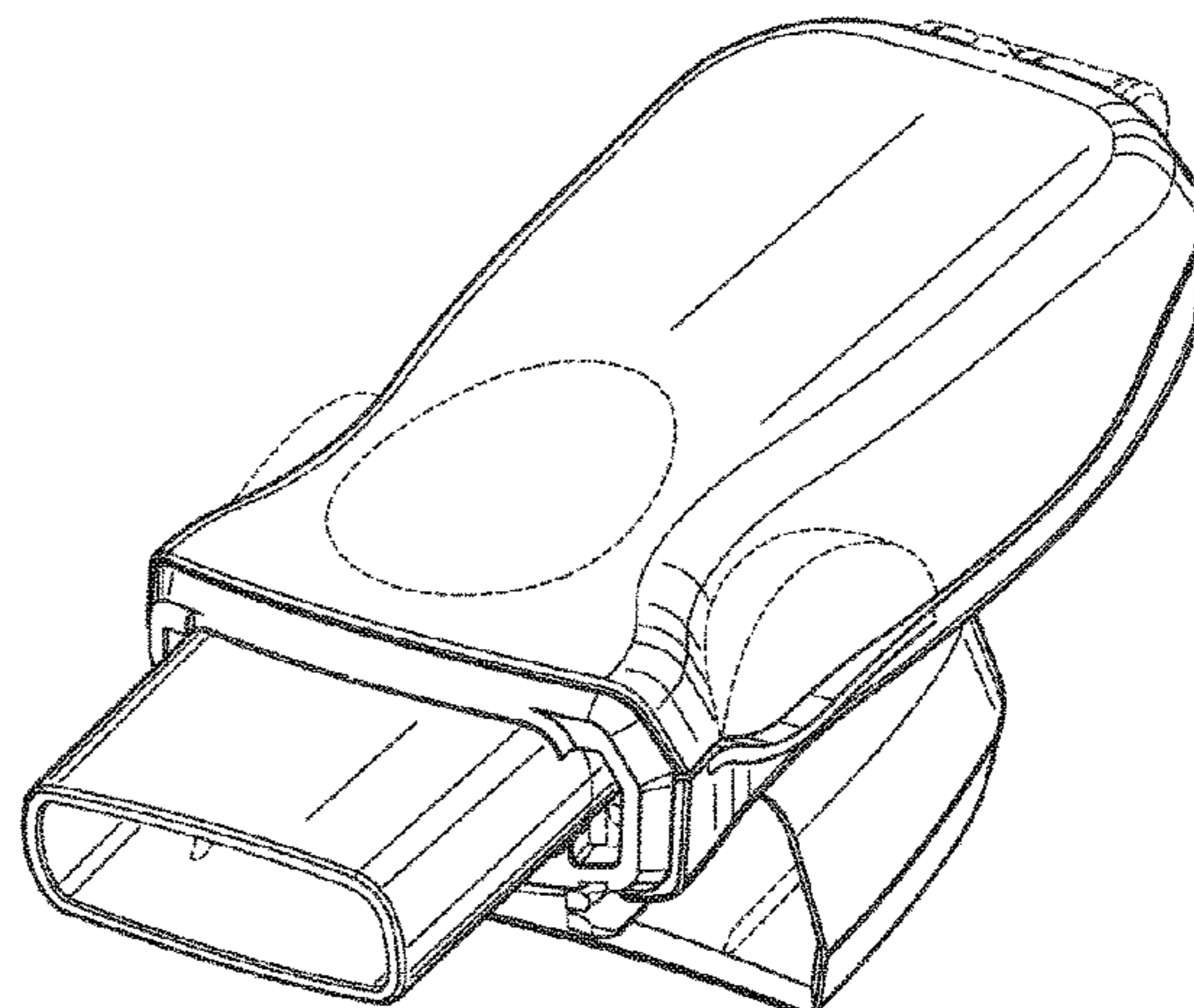
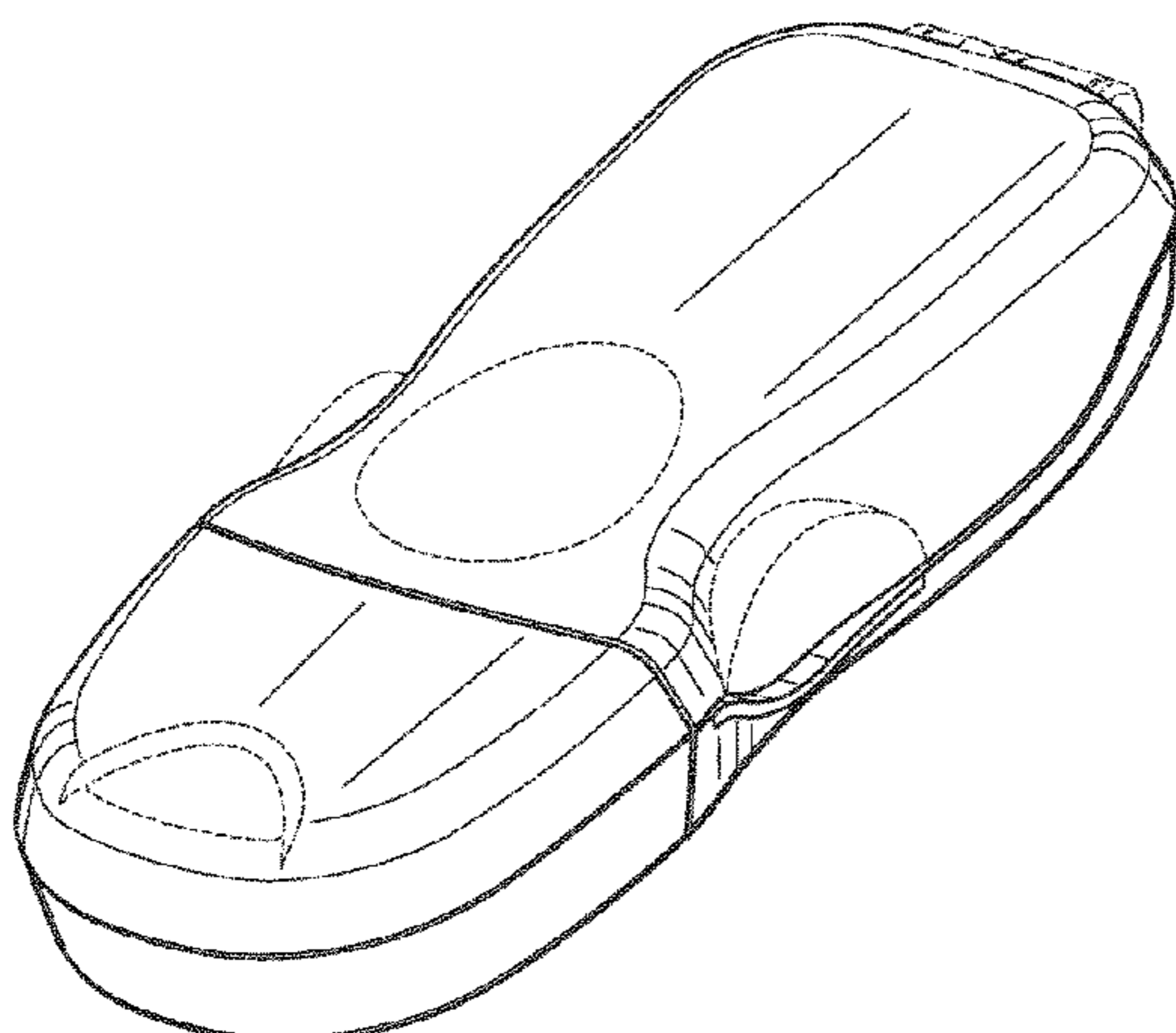
(56) **References Cited**

U.S. PATENT DOCUMENTS

D199,165 S 9/1964 Ryden
D299,066 S 12/1988 Newell et al.
(Continued)

FIG. 1 is a front, top and side perspective view of an inhaler device in a closed configuration according to the new design;
FIG. 2 is a top plan view of the inhaler device of FIG. 1;
FIG. 3 is a bottom plan view of the inhaler device of FIG. 1;
FIG. 4 is a side view of the inhaler device of FIG. 1;
FIG. 5 is an opposite side view of the inhaler device of FIG. 1;
FIG. 6 is a rear and side perspective view of the inhaler device of FIG. 1;
FIG. 7 is a front view of the inhaler device of FIG. 1;
FIG. 8 is rear view of the inhaler device of FIG. 1;
FIG. 9 is a front, top and side perspective view of the inhaler device of FIG. 1 shown in an open configuration;
FIG. 10 is a top plan view of the inhaler device of FIG. 9;
FIG. 11 is a bottom plan view of the inhaler device of FIG. 9;
FIG. 12 is a side view of the inhaler device of FIG. 9;
FIG. 13 is an opposite side view of the inhaler device of FIG. 9;
FIG. 14 is a rear, bottom and side perspective view of the inhaler device of FIG. 9;
FIG. 15 is a front view of the inhaler device of FIG. 9; and,
FIG. 16 is a rear view of the inhaler device of FIG. 9.

(Continued)



The broken lines in the drawings illustrate portions of the inhaler device that form no part of the claimed design.

(56)

References Cited

U.S. PATENT DOCUMENTS

1 Claim, 6 Drawing Sheets

(30) **Foreign Application Priority Data**

Jan. 8, 2014	(GB)	4033638
Jan. 8, 2014	(GB)	4033639
Jan. 8, 2014	(GB)	4033640
Jan. 8, 2014	(GB)	4033641
Jan. 8, 2014	(GB)	4033642
Jan. 8, 2014	(GB)	4033643
Jan. 8, 2014	(GB)	4033644

(58) **Field of Classification Search**

CPC A61M 15/0026; A61M 15/0025; A61M 15/0023; A61M 15/0021; A61M 15/00; A61M 15/0001

See application file for complete search history.

4,811,731	A	3/1989	Newell et al.	
D417,731	S	12/1999	Butler et al.	
D518,569	S	4/2006	Nishibayashi et al.	
D528,654	S	9/2006	Nishibayashi	
D549,341	S	8/2007	Ross et al.	
D605,752	S	12/2009	Polidoro	
7,624,733	B2 *	12/2009	Riley	A61M 15/0045 128/203.15
D629,886	S	12/2010	Adamo et al.	
D636,868	S	4/2011	Kinsey	
7,950,389	B2	5/2011	Eason et al.	
D674,893	S	1/2013	Kinsey	
D697,616	S	1/2014	Berry et al.	
D769,438	S *	10/2016	Crosby	D24/110
2006/0037612	A1	2/2006	Herder et al.	
2009/0308390	A1	12/2009	Smutney et al.	
2011/0192397	A1	8/2011	Saskar et al.	
2012/0037158	A1	2/2012	Wachtel et al.	
2015/0283338	A1	10/2015	Colosio	
2015/0343159	A1 *	12/2015	Farr	A61M 15/0026 128/203.15
2016/0199594	A1 *	7/2016	Finger	A61M 11/003 128/200.16
2016/0346490	A1 *	12/2016	Beller	A61M 15/0005
2016/0367767	A1 *	12/2016	Cashman	A61M 11/005

* cited by examiner

FIG. 1

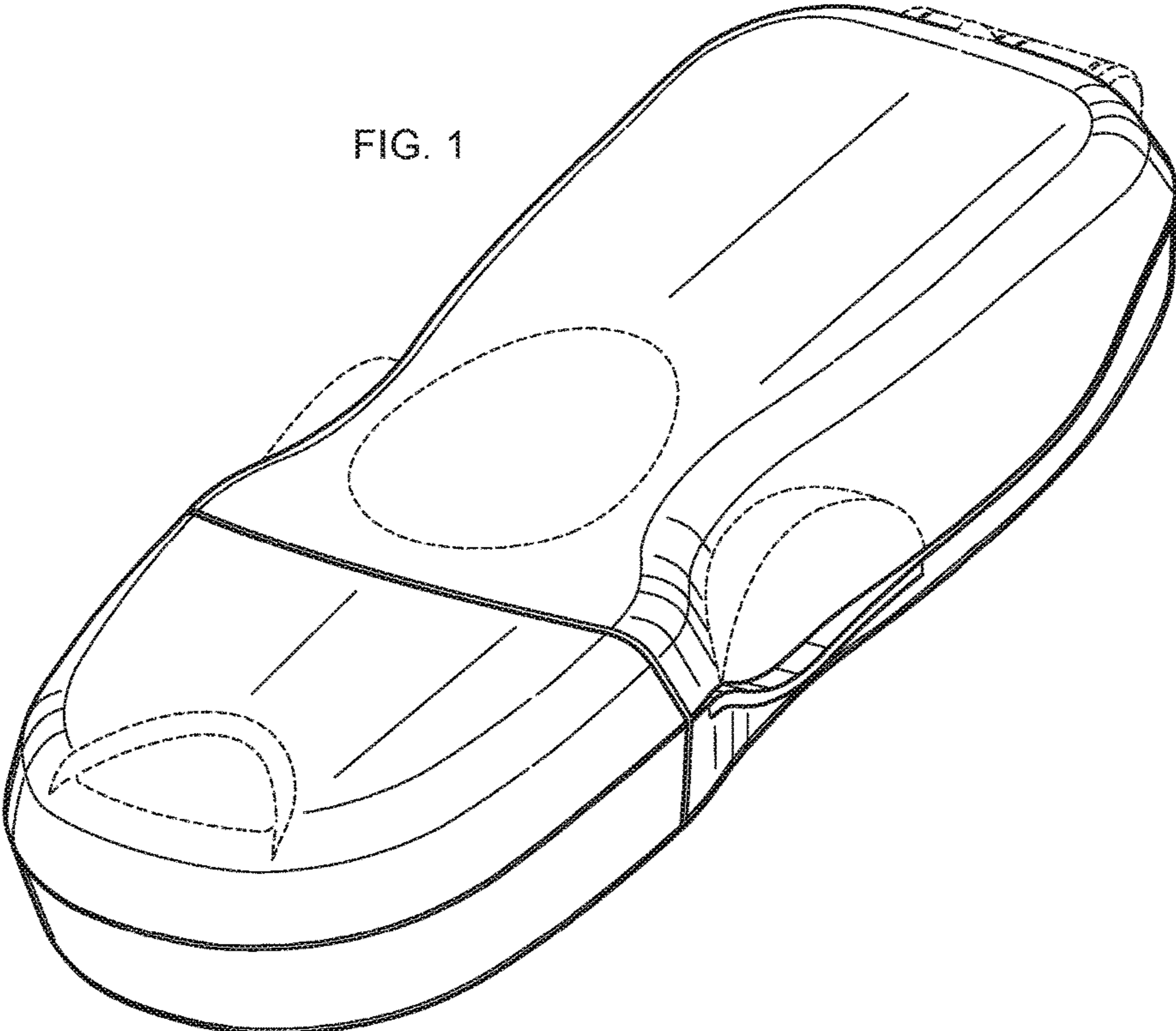


FIG. 2

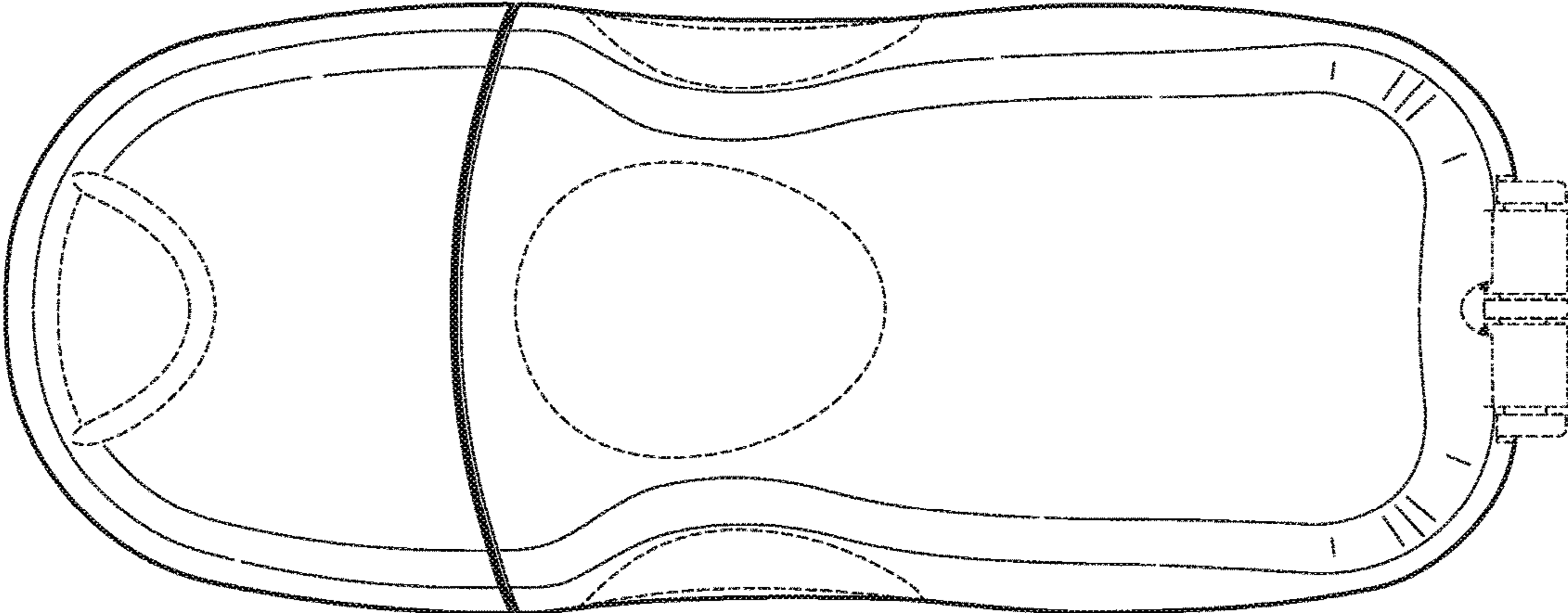


FIG. 3

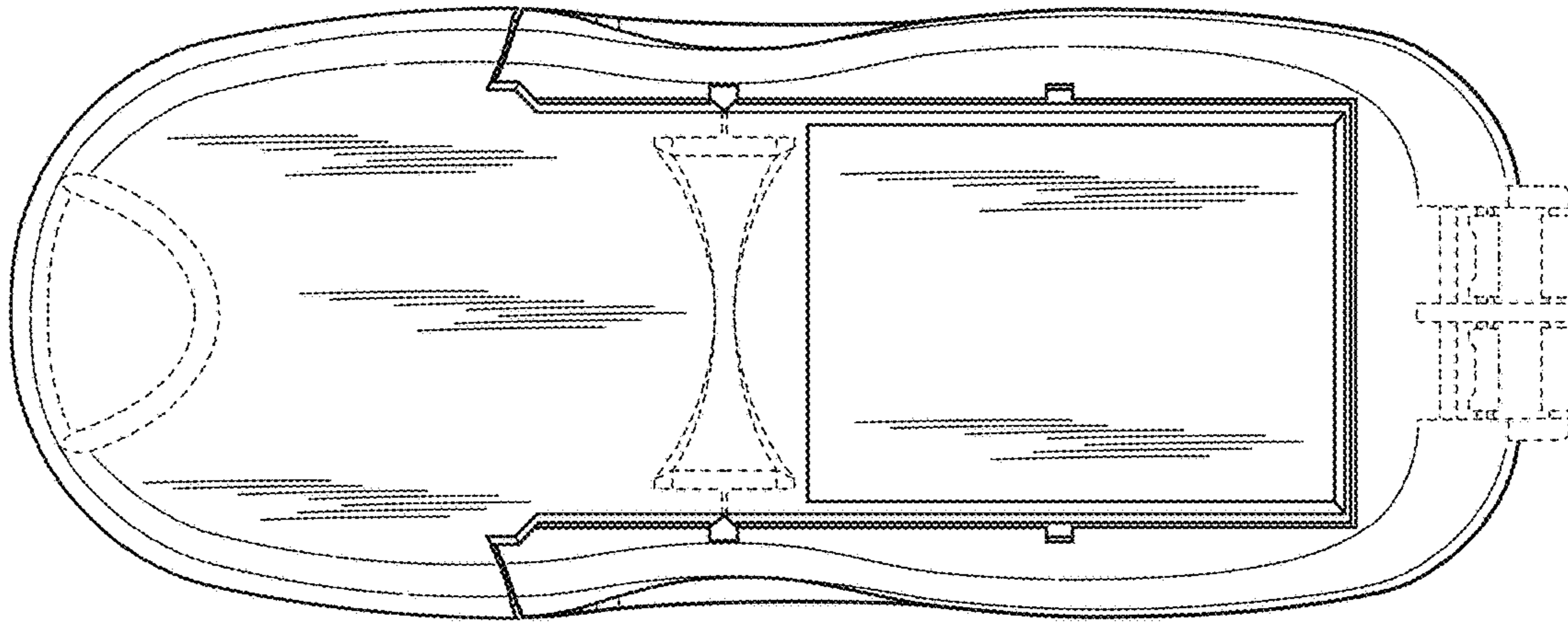


FIG. 4

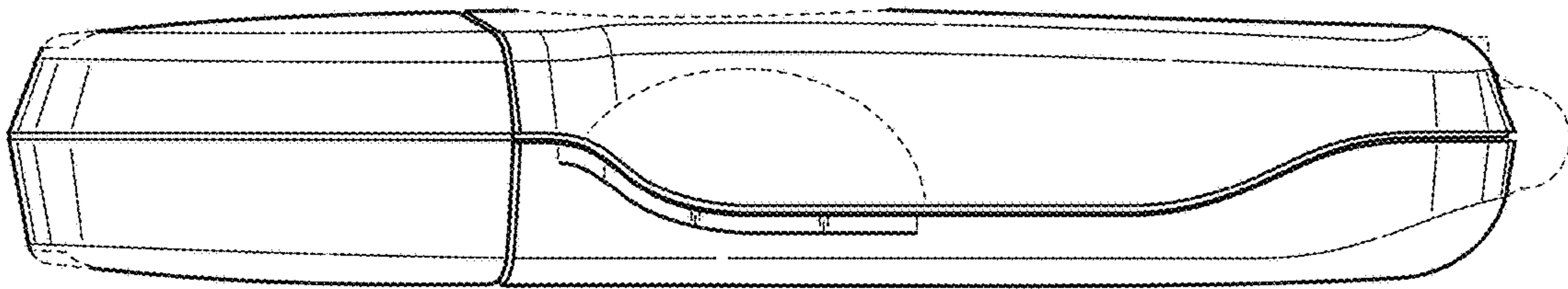
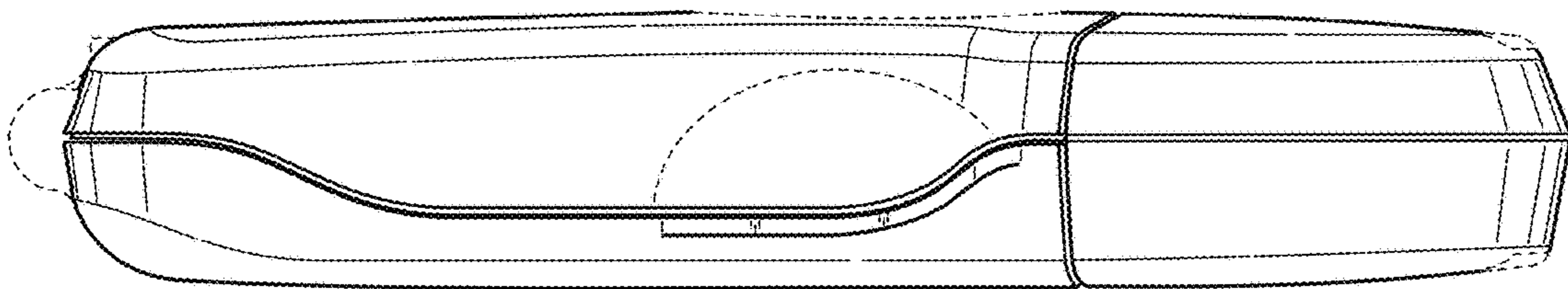


FIG. 5



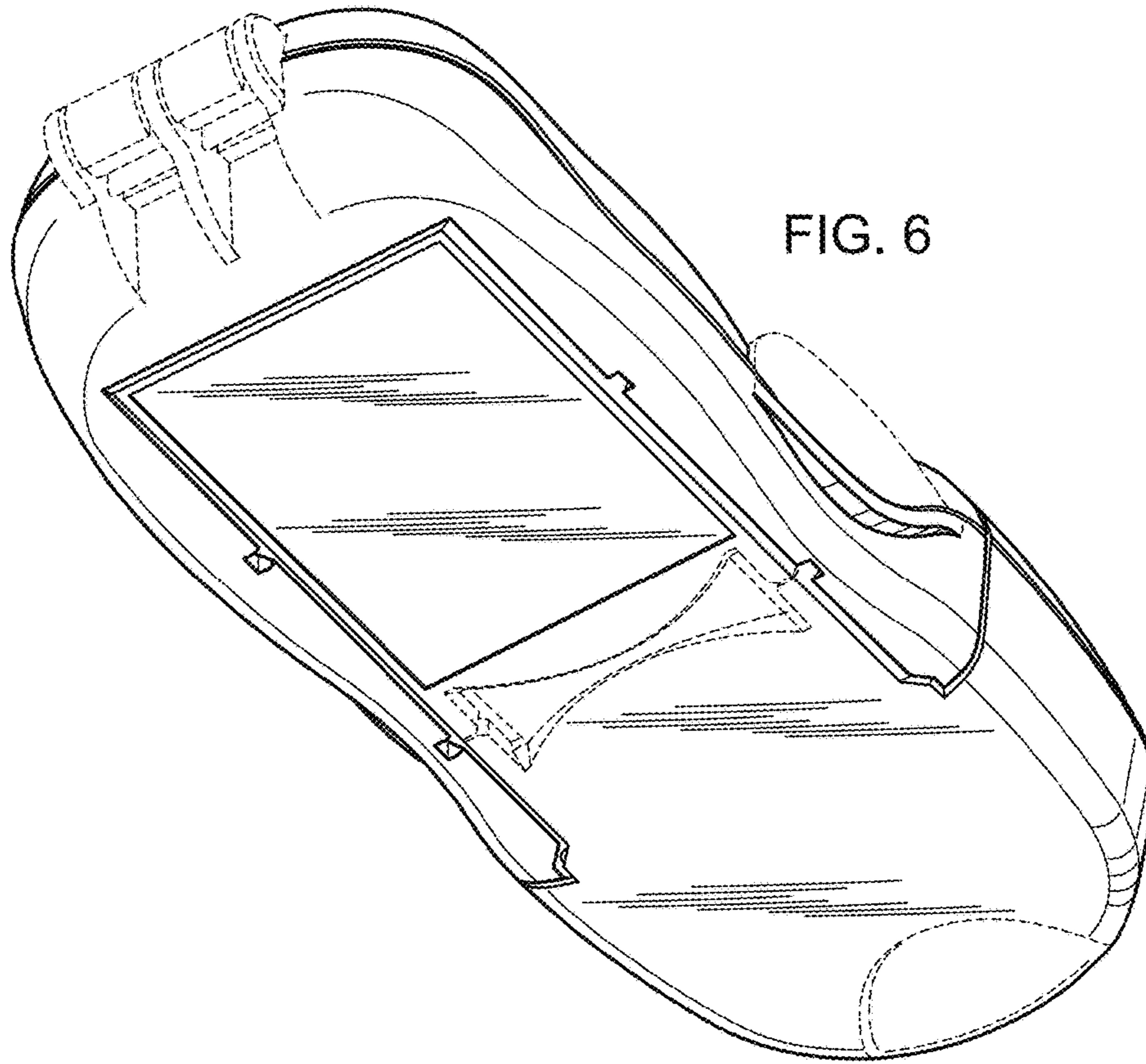


FIG. 6

FIG. 7

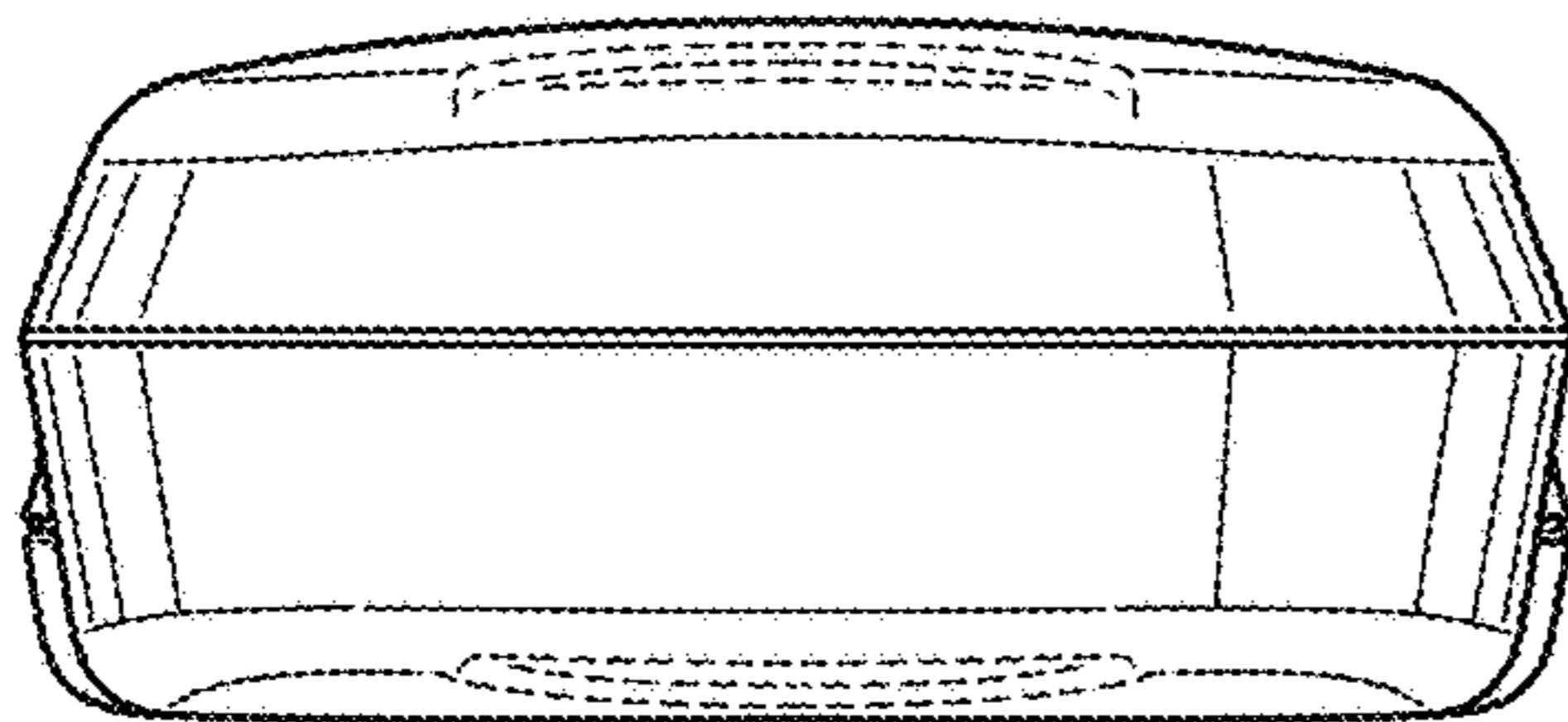


FIG. 8

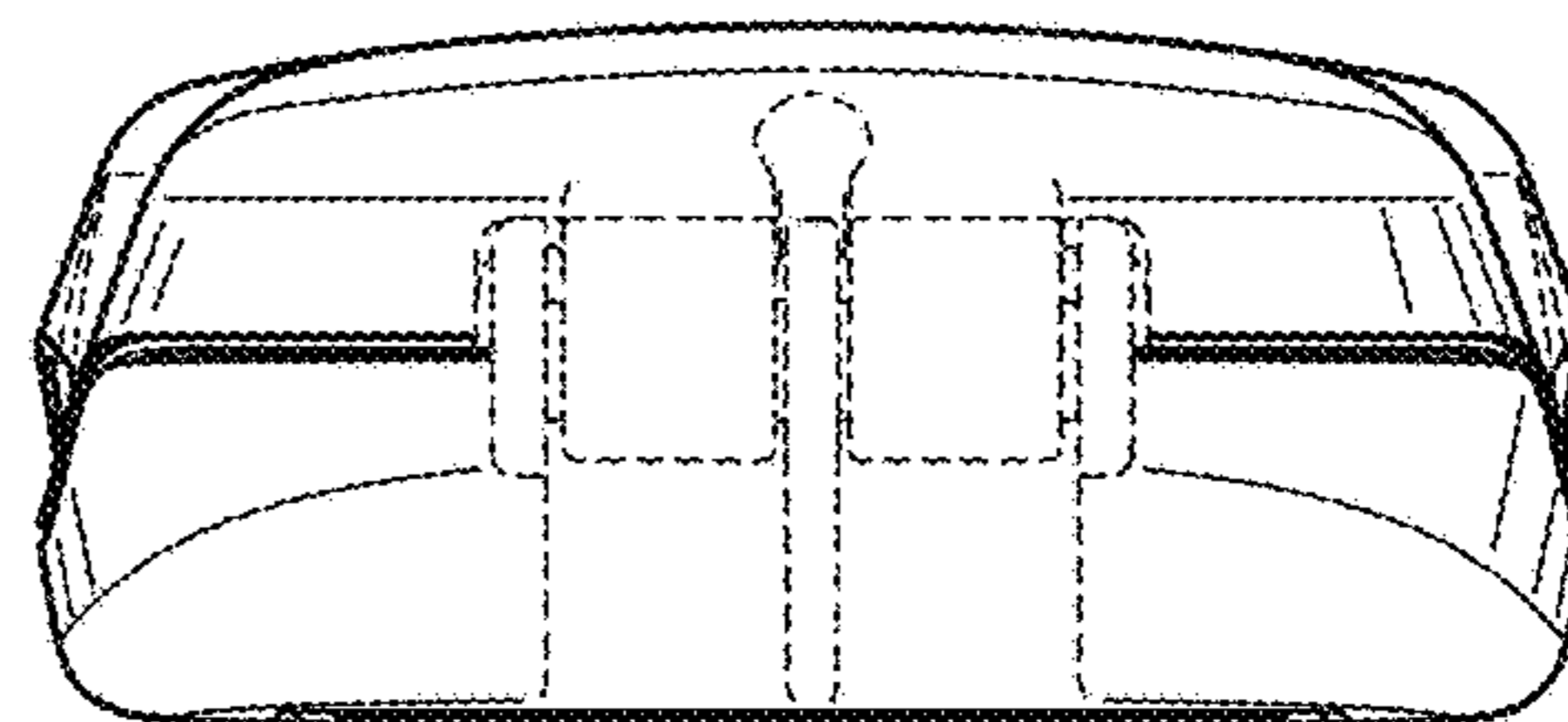


FIG. 9

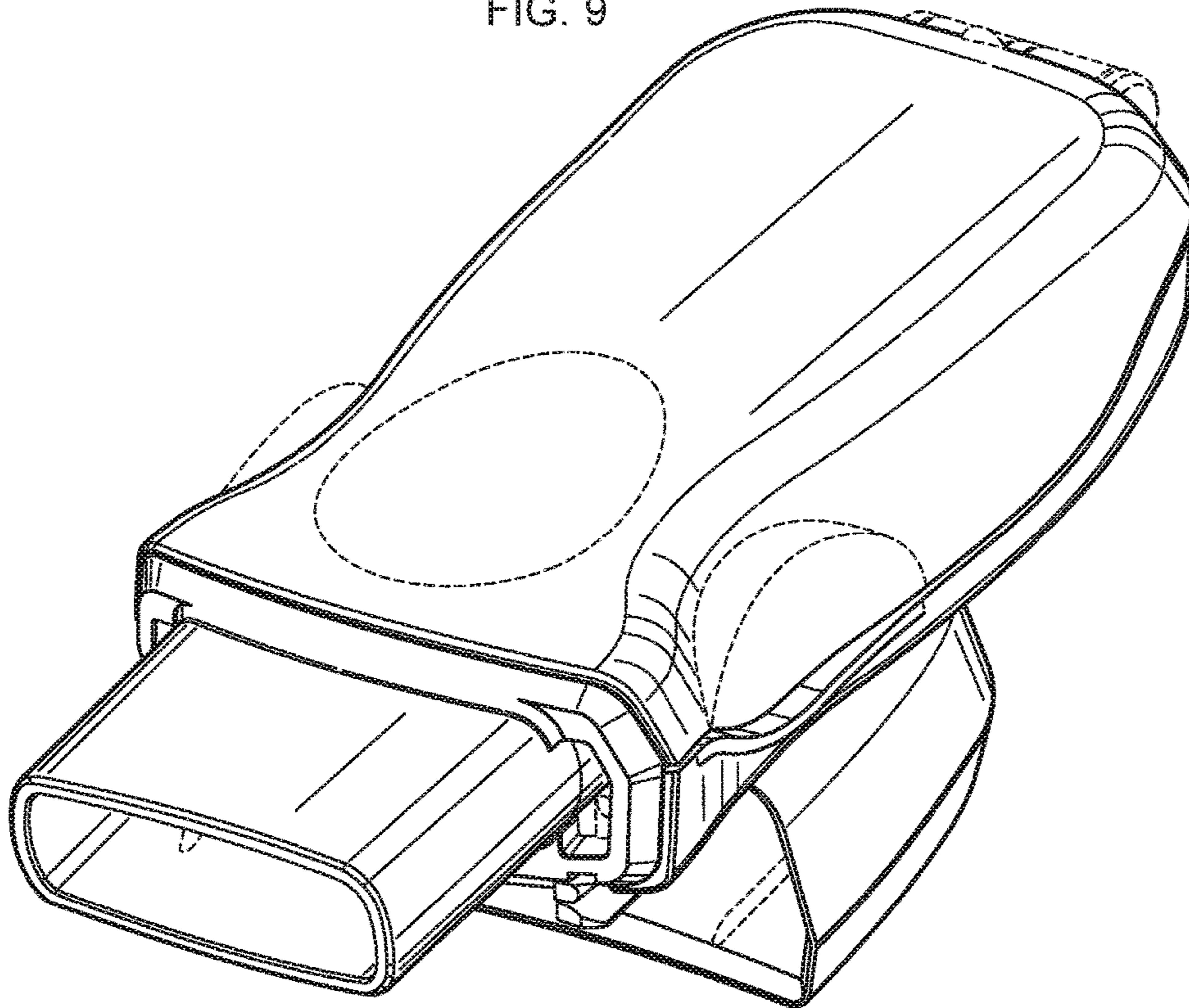


FIG. 10

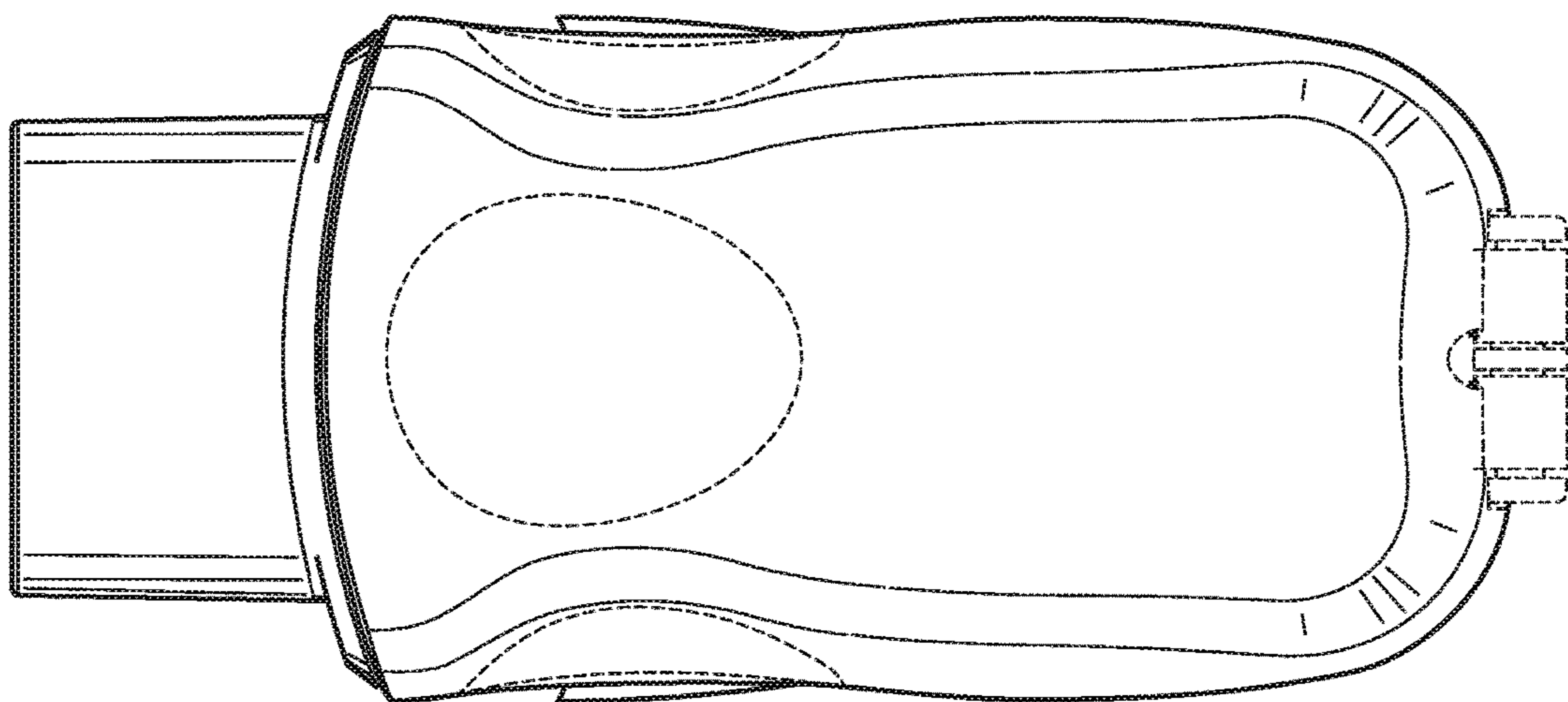


FIG. 11

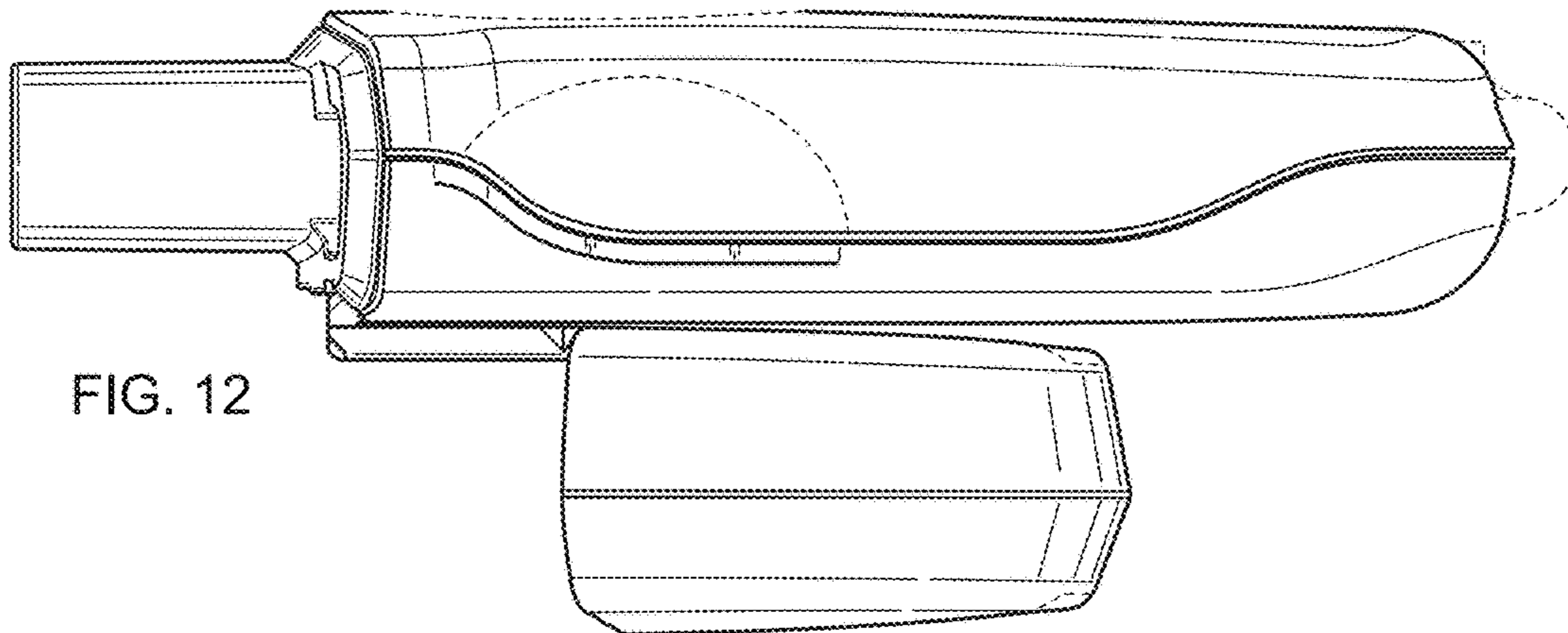
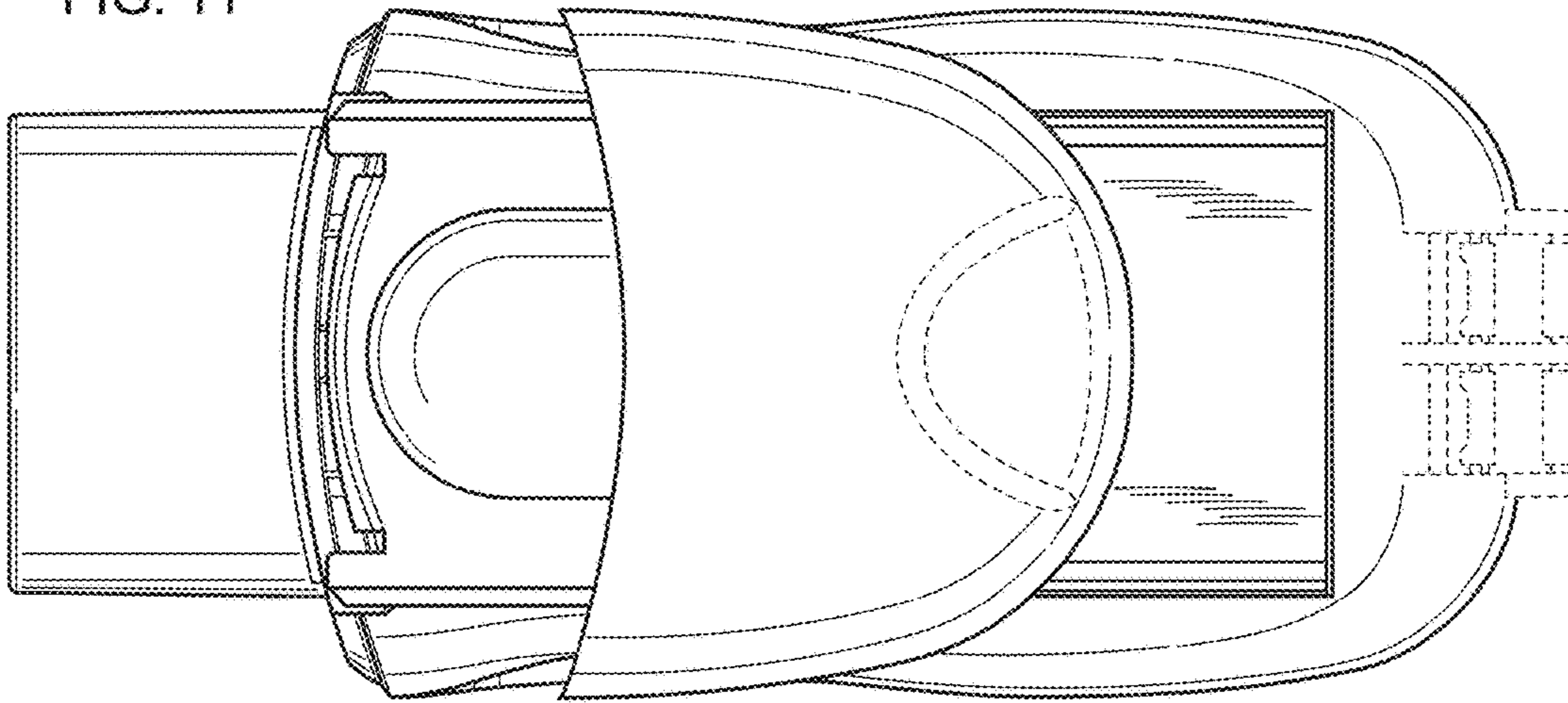


FIG. 12

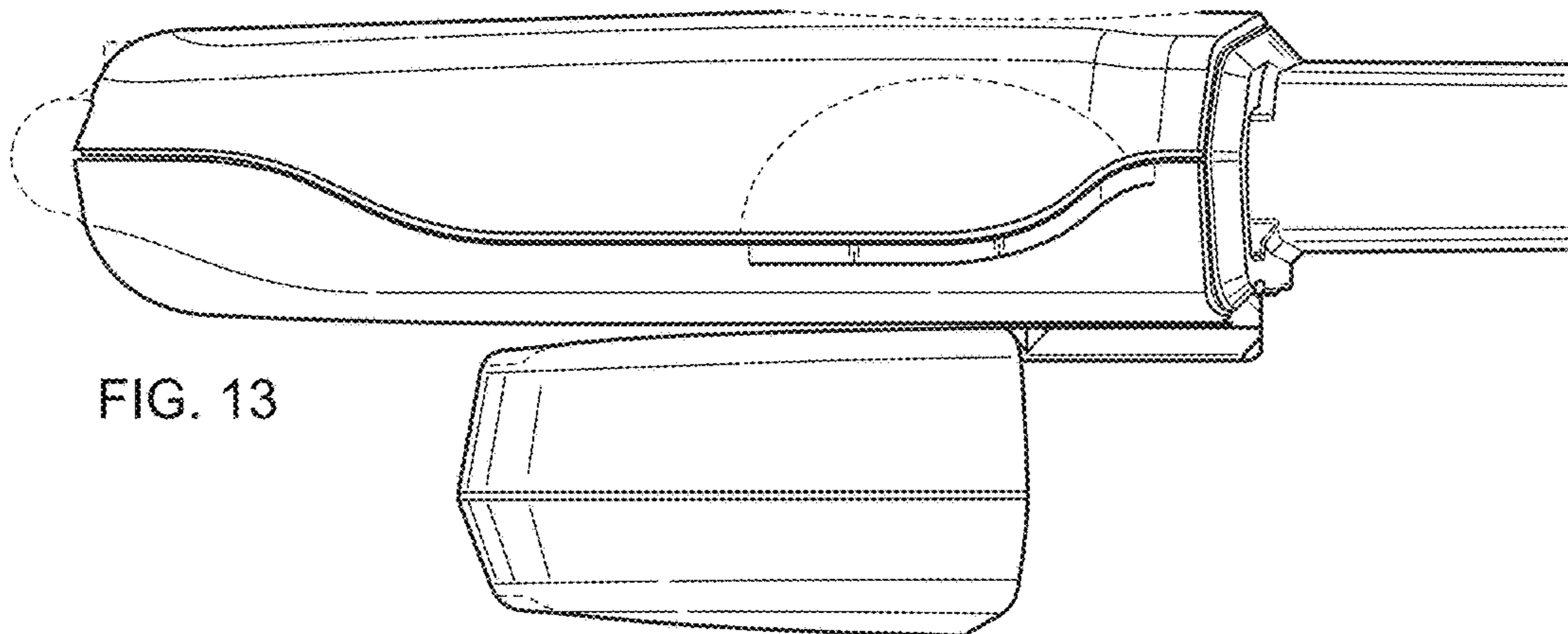


FIG. 13

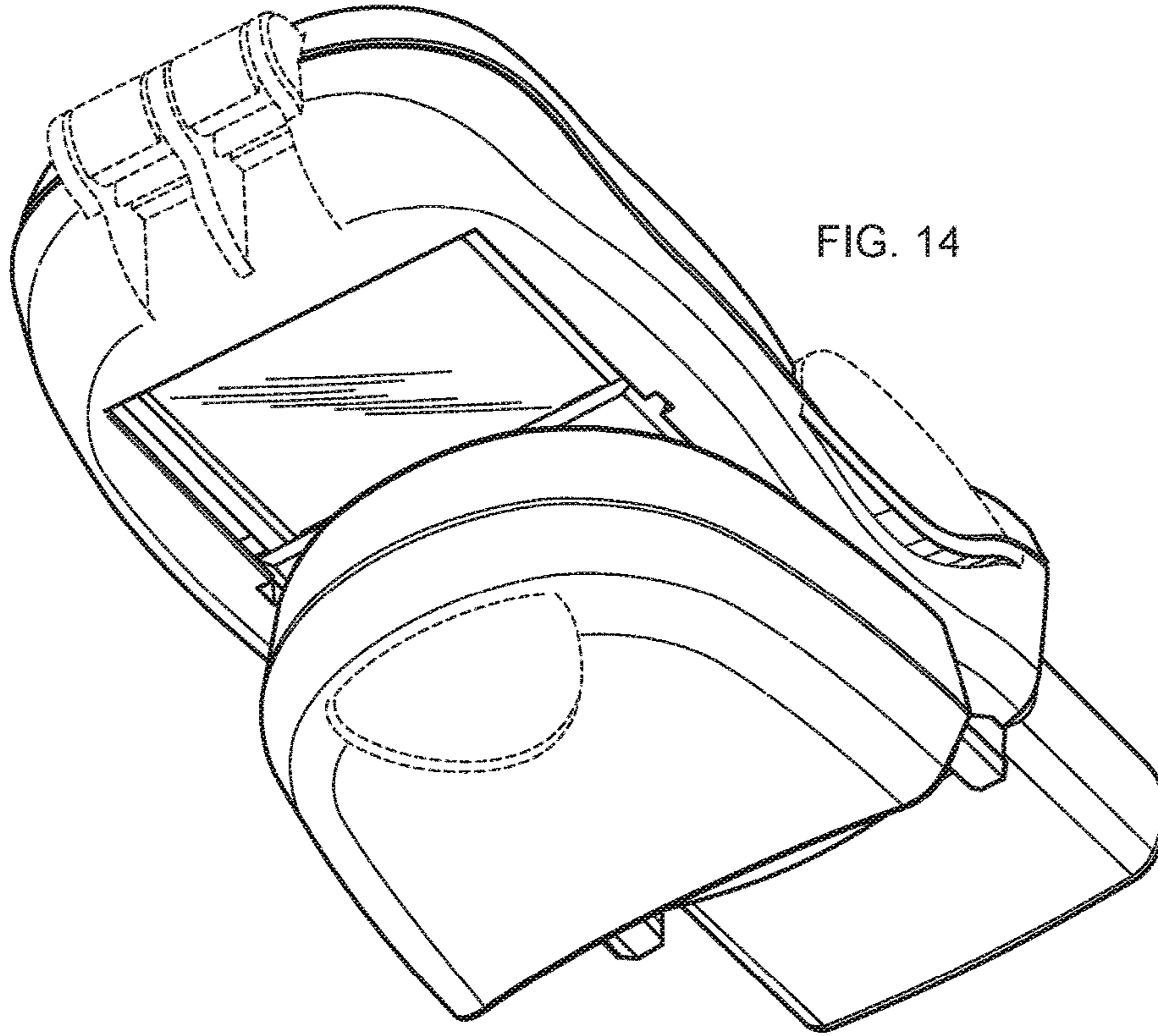


FIG. 14

FIG. 15

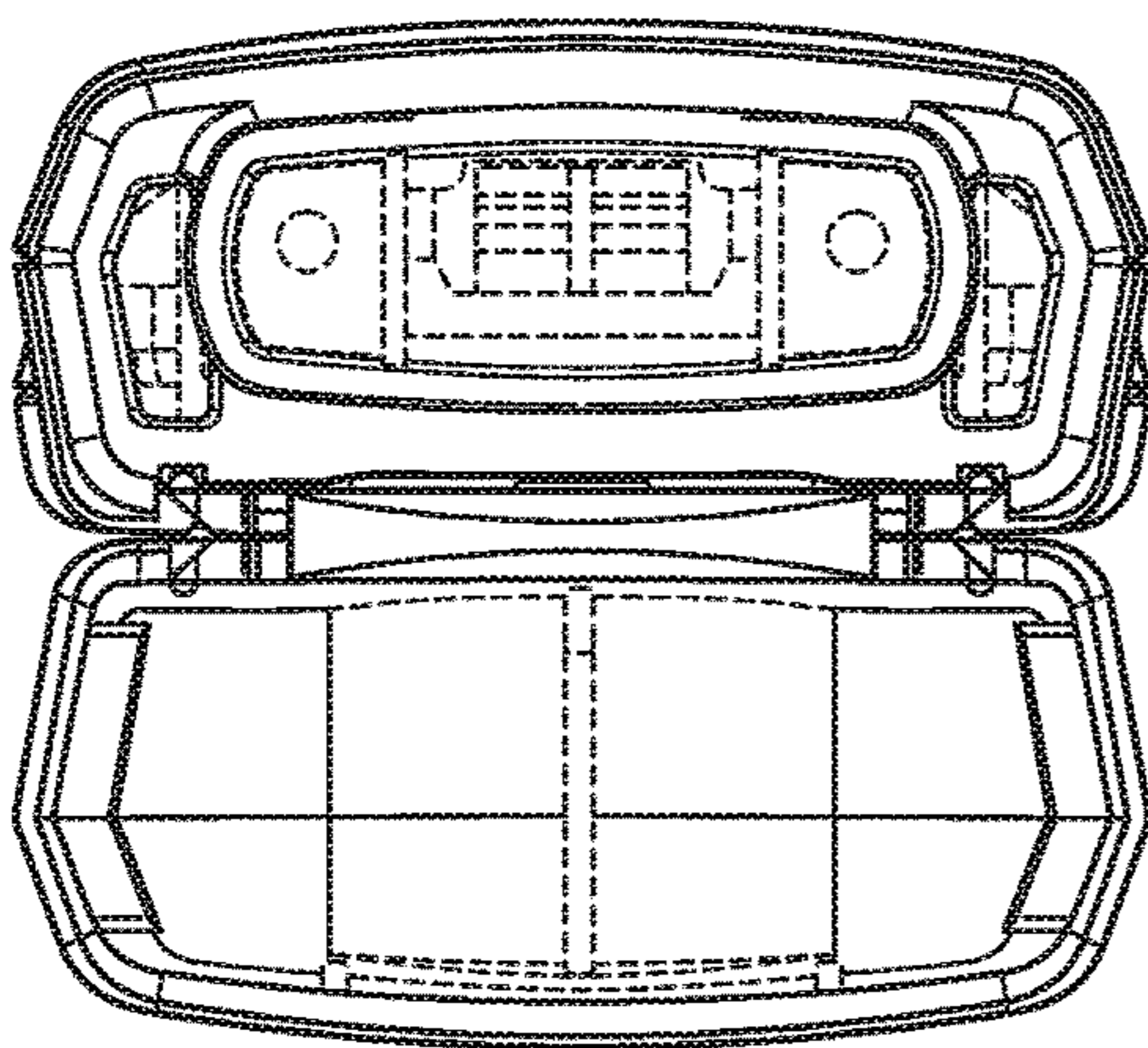


FIG. 16

