



US00D814018S

(12) **United States Design Patent**  
**Emmenegger et al.**

(10) **Patent No.:** **US D814,018 S**  
(45) **Date of Patent:** **\*\* Mar. 27, 2018**

(54) **BREASTSHIELD FOR A BREASTPUMP**  
(71) Applicant: **MEDELA HOLDING AG**, Baar (CH)  
(72) Inventors: **Bernhard Emmenegger**, Lucerne (CH); **Daniela Käppeli**, Zug (CH); **Mario Rigert**, Buchrain (CH); **André Schlienger**, Maschwanden (CH); **Etienne Furrer**, Hagendorn (CH); **Marcel Muther**, Ebikon (CH)  
(73) Assignee: **MEDELA HOLDING AG**, Baar (CH)

5,941,847 A \* 8/1999 Huber ..... A61M 1/066  
604/74  
D446,852 S \* 8/2001 Johansen ..... D24/109  
D446,853 S \* 8/2001 Johansen ..... D24/109  
6,383,164 B1 \* 5/2002 Johansen ..... A61M 1/06  
604/74  
6,387,072 B1 \* 5/2002 Larsson ..... A61M 1/064  
604/74  
6,585,686 B2 \* 7/2003 Cloud ..... A61M 1/066  
604/74  
D564,656 S \* 3/2008 Matsutori ..... D24/109  
D609,330 S \* 2/2010 Paterson ..... D24/109  
D609,331 S \* 2/2010 Paterson ..... D24/109

(\*\*) Term: **15 Years**

(21) Appl. No.: **29/603,563**

(22) Filed: **May 10, 2017**

**Related U.S. Application Data**

(62) Division of application No. 29/536,803, filed on Aug. 19, 2015, now Pat. No. Des. 810,924.

**Foreign Application Priority Data**

Feb. 20, 2015 (EM) ..... 874300501

(51) **LOC (11) Cl.** ..... **24-02**

(52) **U.S. Cl.**  
USPC ..... **D24/109**

(58) **Field of Classification Search**  
USPC ..... D24/108, 109, 127; D7/700  
CPC ..... A61M 1/062; A61M 1/06; A61M 1/066;  
A61M 1/064; A61J 9/00; A61J 9/001  
See application file for complete search history.

(56) **References Cited**

**U.S. PATENT DOCUMENTS**

4,950,236 A \* 8/1990 Wilson ..... A61M 1/0037  
215/11.5  
5,049,126 A \* 9/1991 Larsson ..... A61M 1/066  
604/74

*Primary Examiner* — Karen E Kearney

*Assistant Examiner* — Lilyana Bekic

(74) *Attorney, Agent, or Firm* — Marshall, Gerstein & Borun LLP

(Continued)

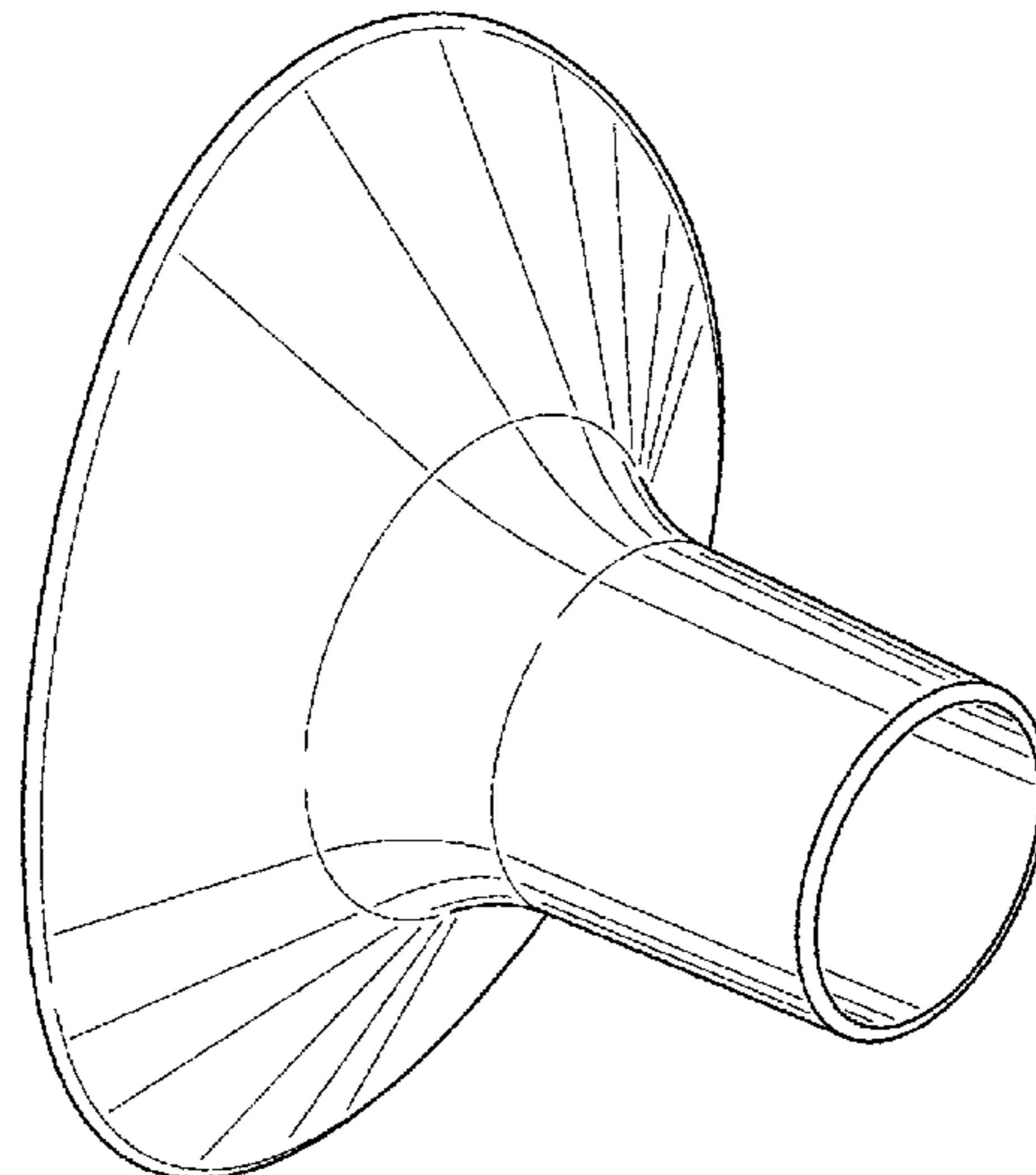
(57) **CLAIM**

The ornamental design for a breastshield for a breastpump, as shown and described.

**DESCRIPTION**

FIG. 1 is a top perspective view of a breastshield for a breastpump according to the present invention;  
FIG. 2 is a bottom perspective view of the present invention as illustrated in FIG. 1;  
FIG. 3 is a third perspective view of the present invention as illustrated in FIG. 1;  
FIG. 4 is a right side view of the present invention as illustrated in FIG. 1, the left side view being identical;  
FIG. 5 is a front view of the present invention as illustrated in FIG. 1, the back view being identical;  
FIG. 6 is a top view of the present invention as illustrated in FIG. 1; and,  
FIG. 7 is a bottom view of the present invention as illustrated in FIG. 1.

**1 Claim, 7 Drawing Sheets**



(56)

References Cited

U.S. PATENT DOCUMENTS

7,727,182 B2 \* 6/2010 Silver ..... A61M 1/06  
604/74  
D683,442 S \* 5/2013 Cudworth ..... D24/109  
2003/0153869 A1 \* 8/2003 Ytteborg ..... A61M 1/066  
604/74  
2005/0159701 A1 \* 7/2005 Conaway ..... A61M 1/06  
604/74  
2005/0228342 A1 \* 10/2005 Yuen ..... A61M 1/06  
604/74  
2006/0148380 A1 \* 7/2006 Rousso ..... A41C 3/04  
450/36  
2007/0179439 A1 \* 8/2007 Vogelín ..... A61M 1/06  
604/74  
2008/0255503 A1 \* 10/2008 Quackenbush ..... A61M 1/0031  
604/74  
2008/0287037 A1 \* 11/2008 Solberg ..... A61M 1/06  
450/36  
2010/0324477 A1 \* 12/2010 Paterson ..... A61M 1/06  
604/74  
2010/0324478 A1 \* 12/2010 Kazazoglu ..... A61M 1/06  
604/74  
2011/0301532 A1 \* 12/2011 Wach ..... A61M 1/06  
604/74  
2014/0094747 A1 \* 4/2014 Hirata ..... A61M 1/06  
604/74

2014/0276629 A1 \* 9/2014 Bauer ..... A61M 1/06  
604/514  
2014/0323962 A1 \* 10/2014 Kooijker ..... A61M 1/06  
604/74  
2015/0065996 A1 \* 3/2015 Bartlett, II ..... A61M 1/062  
604/514  
2015/0148783 A1 \* 5/2015 Bartlett, II ..... A61M 1/062  
604/514  
2015/0157775 A1 \* 6/2015 Hu ..... A61F 7/007  
604/74  
2016/0008526 A1 \* 1/2016 Tatterfield ..... A61M 1/066  
604/74  
2016/0015876 A1 \* 1/2016 Tattersfield ..... A61M 1/064  
604/74  
2016/0082165 A1 \* 3/2016 Alvarez ..... A61M 1/062  
604/74  
2016/0114090 A1 \* 4/2016 Patvibul ..... A61M 1/062  
604/514  
2016/0158424 A1 \* 6/2016 Chen ..... A61M 1/06  
604/74  
2016/0296681 A1 \* 10/2016 Gaskin ..... A61M 1/062  
2016/0331879 A1 \* 11/2016 Dann ..... A61M 1/066  
2017/0021068 A1 \* 1/2017 Gaskin ..... A61M 1/06  
2017/0095600 A1 \* 4/2017 Sherman ..... A61M 1/066  
2017/0173235 A1 \* 6/2017 Alvarez ..... A61M 1/064  
2017/0216505 A1 \* 8/2017 Kim ..... A61M 1/064

\* cited by examiner

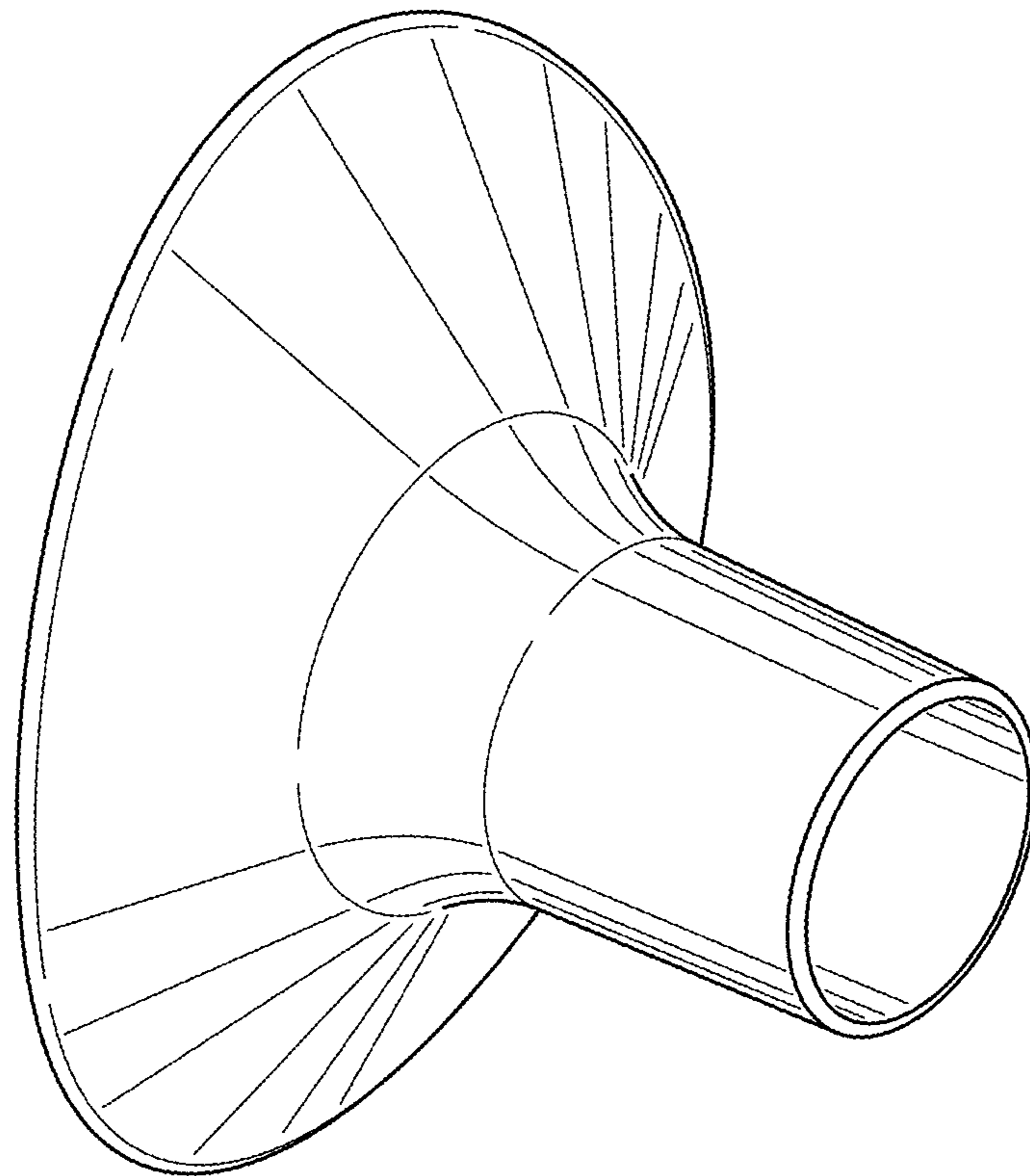


FIG. 1

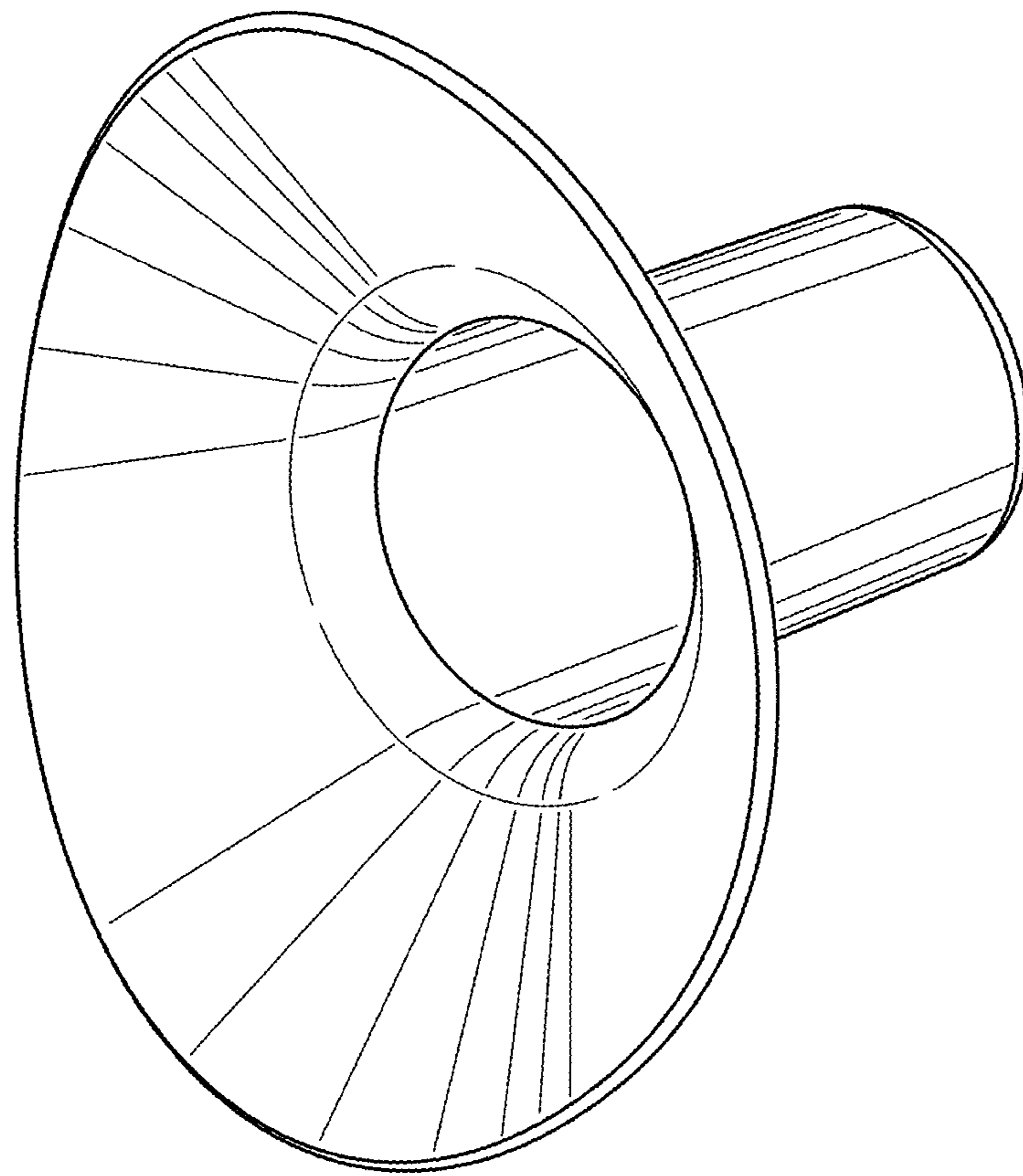


FIG. 2

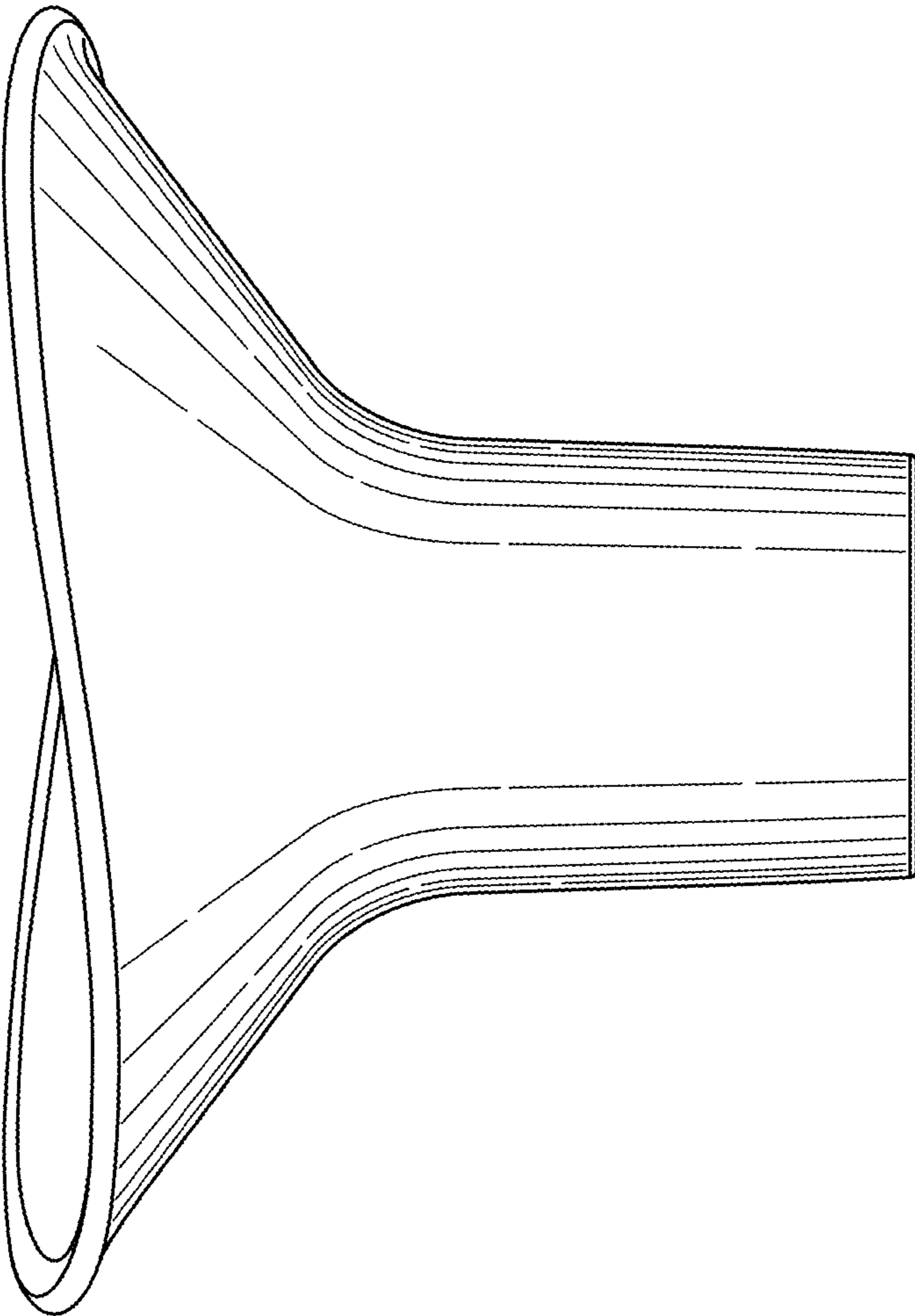


FIG. 3

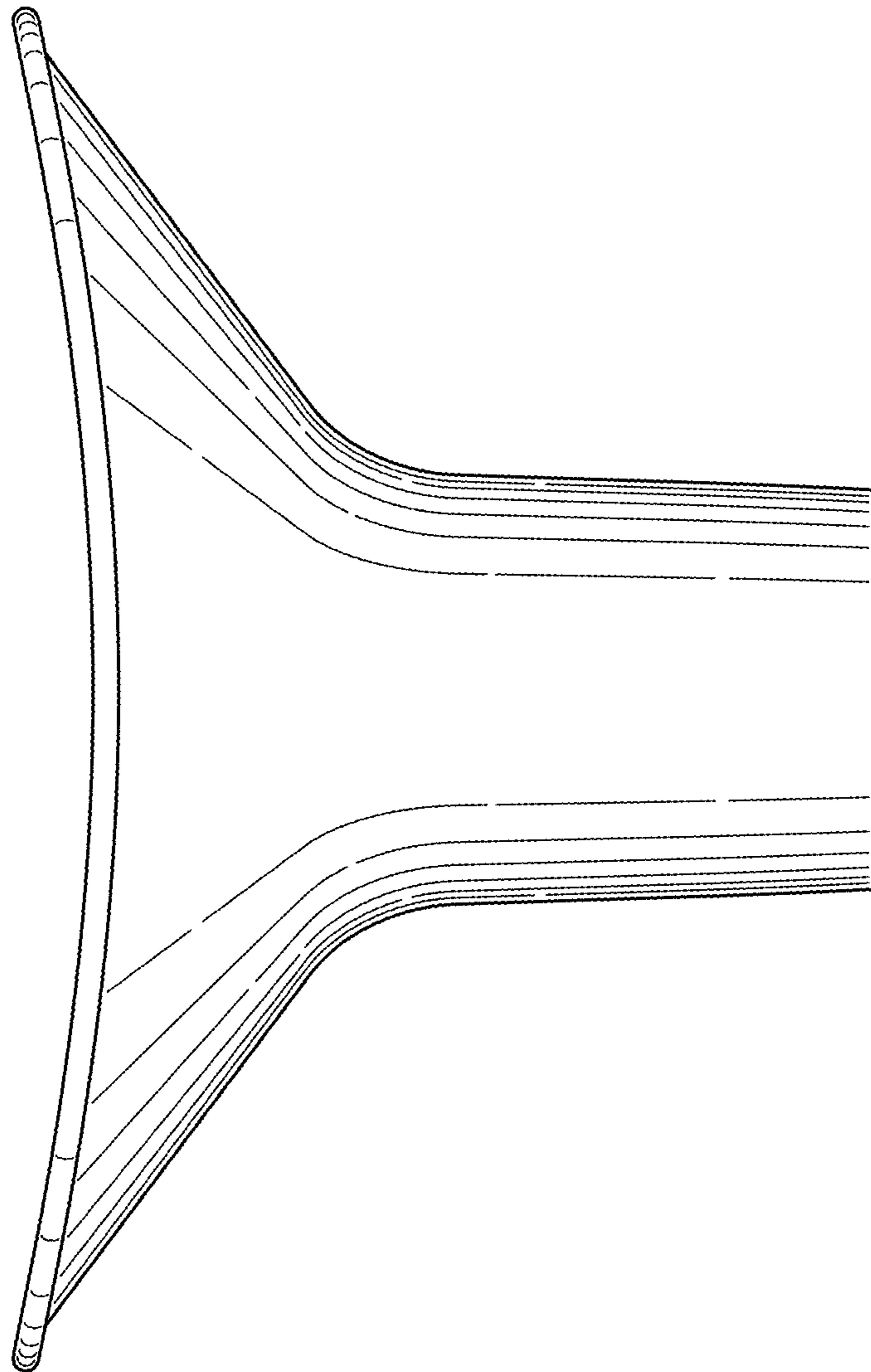


FIG. 4

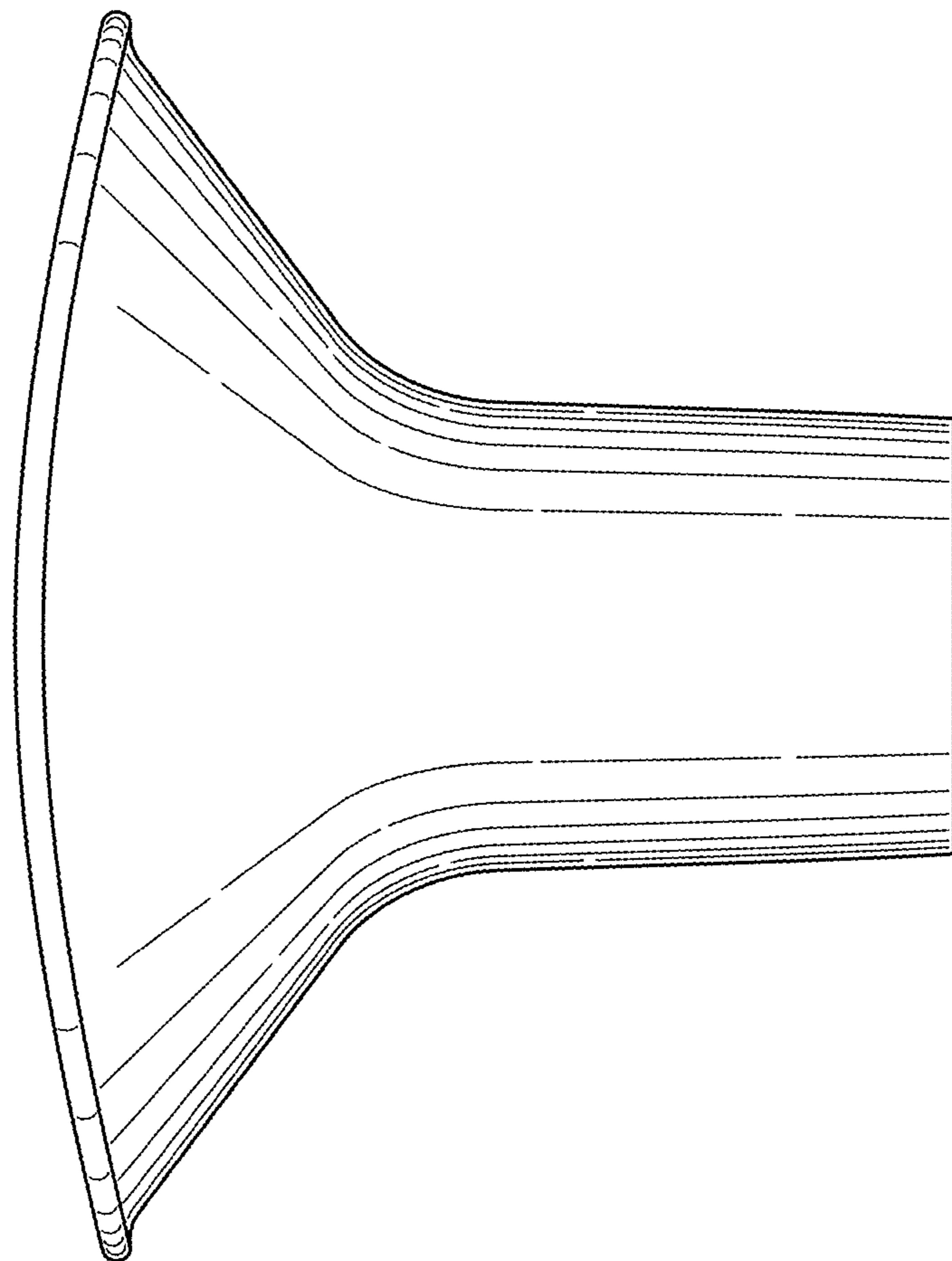


FIG. 5

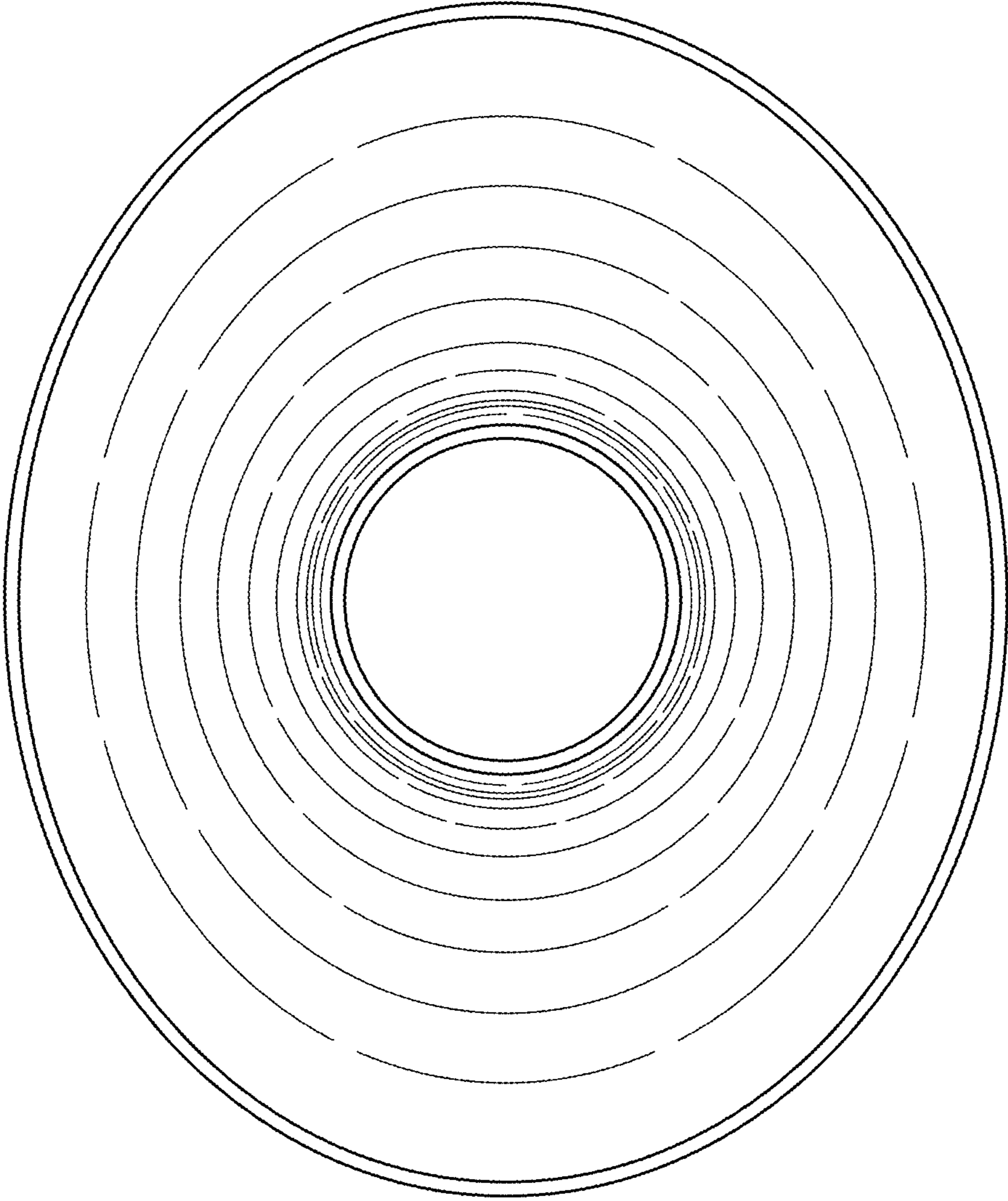


FIG. 6



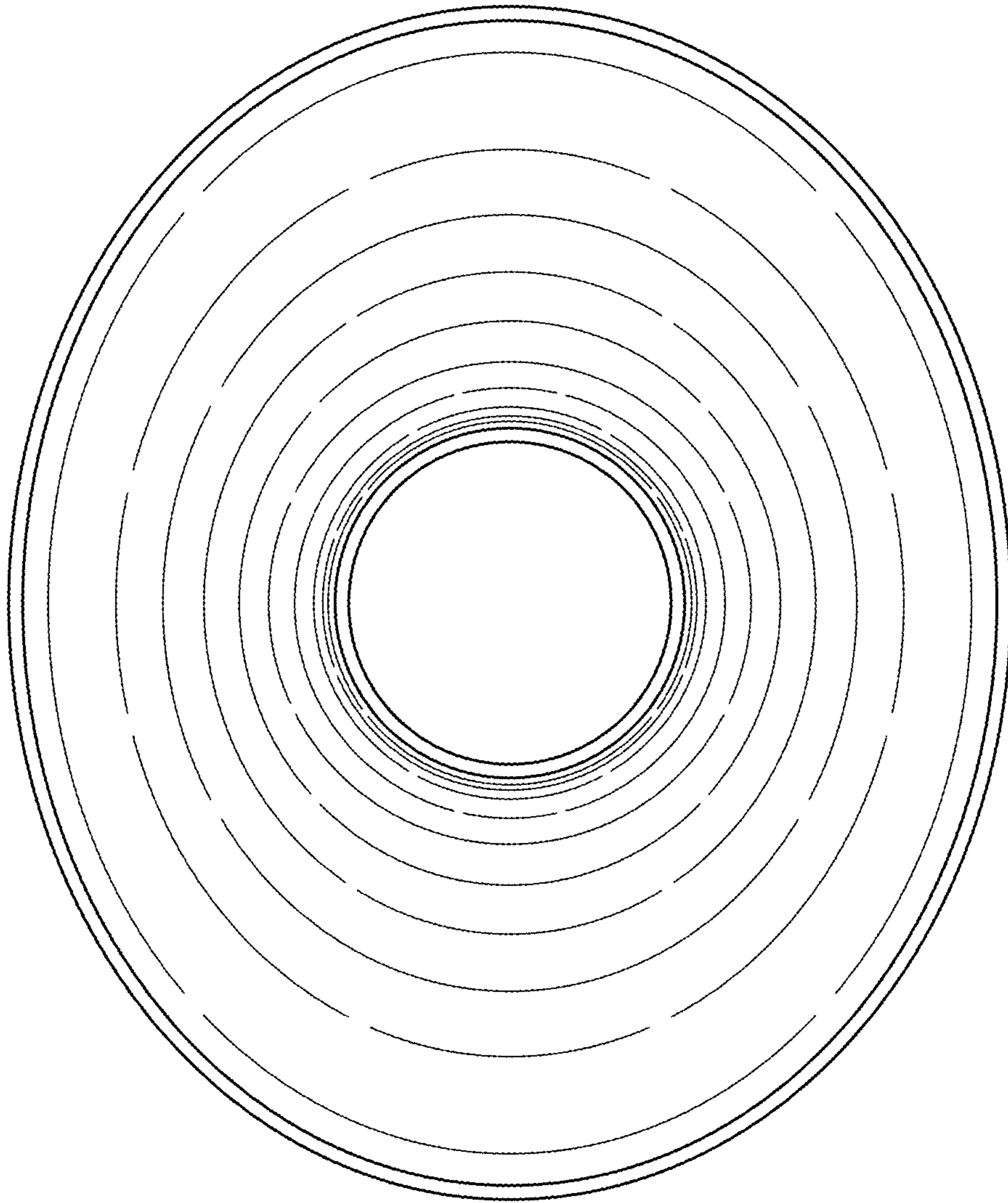


FIG. 7

UNITED STATES PATENT AND TRADEMARK OFFICE  
**CERTIFICATE OF CORRECTION**

PATENT NO. : D814,018 S  
APPLICATION NO. : 29/603563  
DATED : March 27, 2018  
INVENTOR(S) : Bernhard Emmenegger et al.

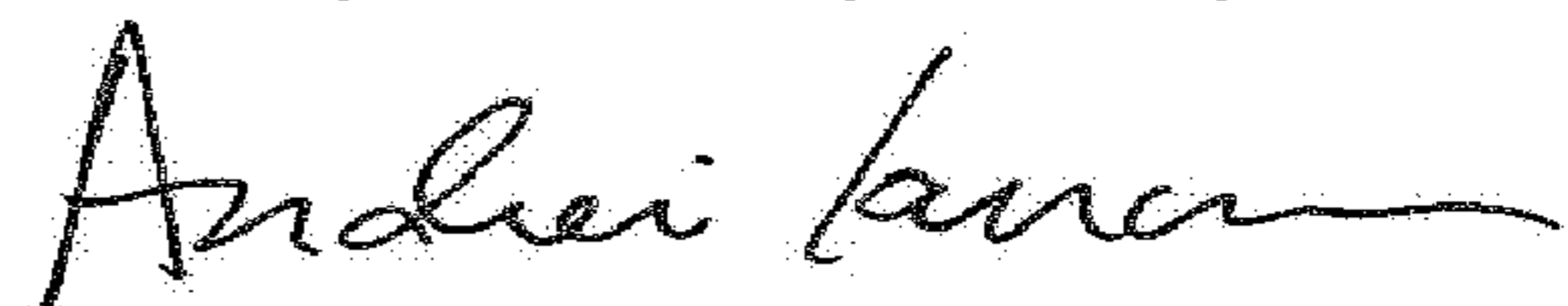
Page 1 of 1

It is certified that error appears in the above-identified patent and that said Letters Patent is hereby corrected as shown below:

On the Title Page

At item (30), “(EM)” should be -- (WO) --.

Signed and Sealed this  
Twenty-ninth Day of May, 2018



Andrei Iancu  
*Director of the United States Patent and Trademark Office*