



US00D814014S

(12) **United States Design Patent**
Wang

(10) **Patent No.:** **US D814,014 S**
(45) **Date of Patent:** **** Mar. 27, 2018**

- (54) **ASH REMOVAL DEVICE**
- (71) Applicant: **Green Mountain Grill Outdoor Product (Wuhan) Ltd.**, Wuhan, Hunan (CN)
- (72) Inventor: **Ping Wang**, Hunan (CN)
- (73) Assignee: **Green Mountain Grill Outdoor Product (Wuhan) Ltd.**, Wuhan, Hunan (CN)
- (**) Term: **15 Years**

D507,927 S *	8/2005	Nipke	D7/334
D508,364 S *	8/2005	Nipke	D7/334
D508,365 S *	8/2005	Nipke	D7/334
D528,847 S *	9/2006	Chung	D7/334
D551,386 S *	9/2007	Dayan	D27/105
D572,072 S *	7/2008	Chung	D7/334
D594,595 S *	6/2009	Catron	D27/105
D616,602 S *	5/2010	Leeds	D27/102
D618,483 S *	6/2010	Chung	D7/334
D618,486 S *	6/2010	Bruno	D7/334
D657,181 S *	4/2012	Chung	D7/334
D684,412 S *	6/2013	Hansen, Jr.	D6/673
D712,191 S *	9/2014	Chung	D7/334
D717,094 S *	11/2014	Chung	D7/334
D717,097 S *	11/2014	Lin	D7/334

(Continued)

- (21) Appl. No.: **29/545,366**
- (22) Filed: **Nov. 12, 2015**
- (51) **LOC (11) Cl.** **23-04**
- (52) **U.S. Cl.**
USPC **D23/420; D7/402**
- (58) **Field of Classification Search**
USPC D27/100-112, 120, 125-130, 136, 137, D27/138, 143, 161, 162-169, 172, 175, D27/180, 183, 193, 194, 195; D23/420, D23/499, 341; D7/334, 335
CPC A24C 5/44; A24C 5/42; A24C 5/00; A24F 1/30; A24F 19/0085; A24F 19/14
See application file for complete search history.

Primary Examiner — Robert M. Spear
Assistant Examiner — Marissa J Cash

(57) **CLAIM**

I claim the ornamental design for an ash removal device, as shown and described.

DESCRIPTION

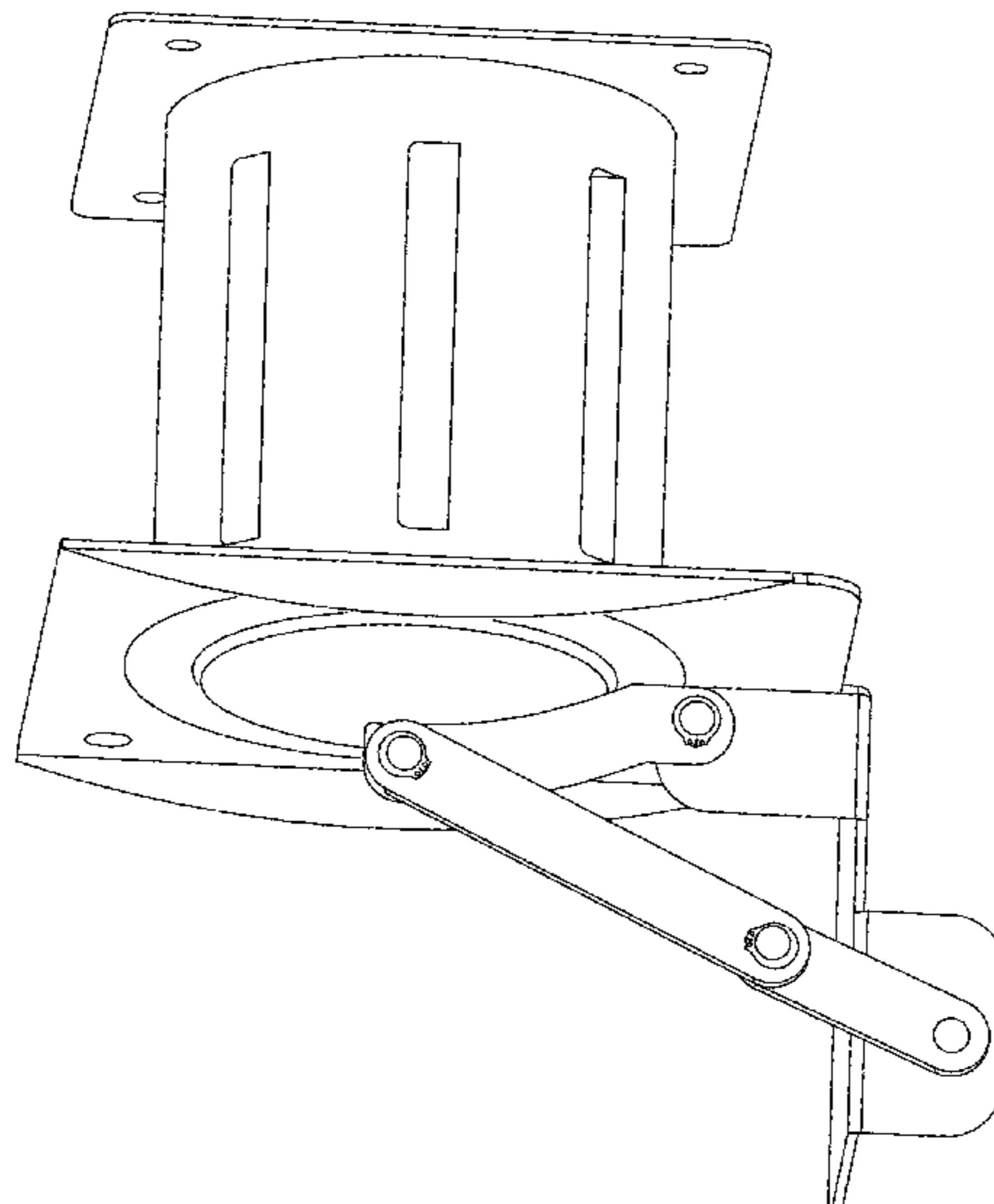
FIG. 1 is a perspective view of the ash removal device showing my new design, wherein the lid is closed;
 FIG. 2 is a left elevation view thereof;
 FIG. 3 is a right elevation view thereof;
 FIG. 4 is a front elevation view thereof;
 FIG. 5 is a back elevation view thereof;
 FIG. 6 is a top view thereof;
 FIG. 7 is a bottom view thereof;
 FIG. 8 is another perspective view of the ash removal device, wherein the lid is open;
 FIG. 9 is a left elevation view thereof;
 FIG. 10 is a right elevation view thereof;
 FIG. 11 is a front elevation view thereof;
 FIG. 12 is a back elevation view thereof;
 FIG. 13 is a top view thereof; and,
 FIG. 14 is a bottom view thereof.

(56) **References Cited**

U.S. PATENT DOCUMENTS

D116,973 S *	10/1939	Kuhlman	131/240.1
D212,869 S *	12/1968	Prisching	D27/104
D258,468 S *	3/1981	Whitlock	D27/104
D362,921 S *	10/1995	Krystek	D27/106
D471,056 S *	3/2003	Pai	D7/334
D480,906 S *	10/2003	Pai	D7/334
D493,011 S *	7/2004	Foote	D27/104
D496,821 S *	10/2004	Pai	D7/334
D497,281 S *	10/2004	Pai	D7/334
D507,926 S *	8/2005	Zhang	D7/334

1 Claim, 14 Drawing Sheets



(56)

References Cited

U.S. PATENT DOCUMENTS

D732,874 S *	6/2015	Chung	D7/334
2005/0274389 A1 *	12/2005	Keller	A24F 19/14 131/235.1
2006/0191944 A1 *	8/2006	Starr	A24F 19/14 220/576
2006/0196924 A1 *	9/2006	Cabalu	A24F 19/0085 232/43.2
2006/0213530 A1 *	9/2006	Venegas, Jr.	A24F 19/0092 131/235.1
2007/0039627 A1 *	2/2007	Roman	A24F 19/0035 131/231

* cited by examiner

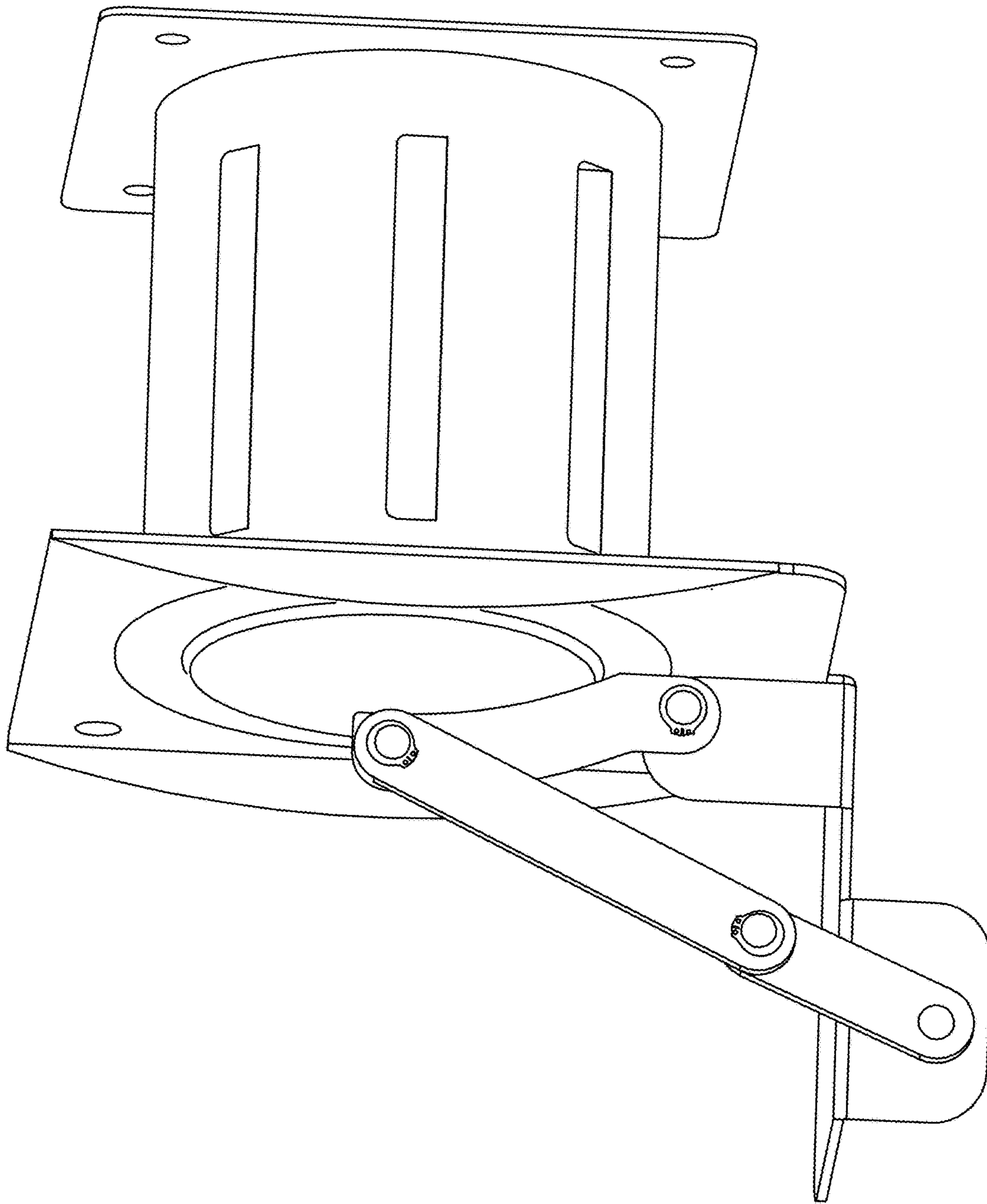


Fig.1

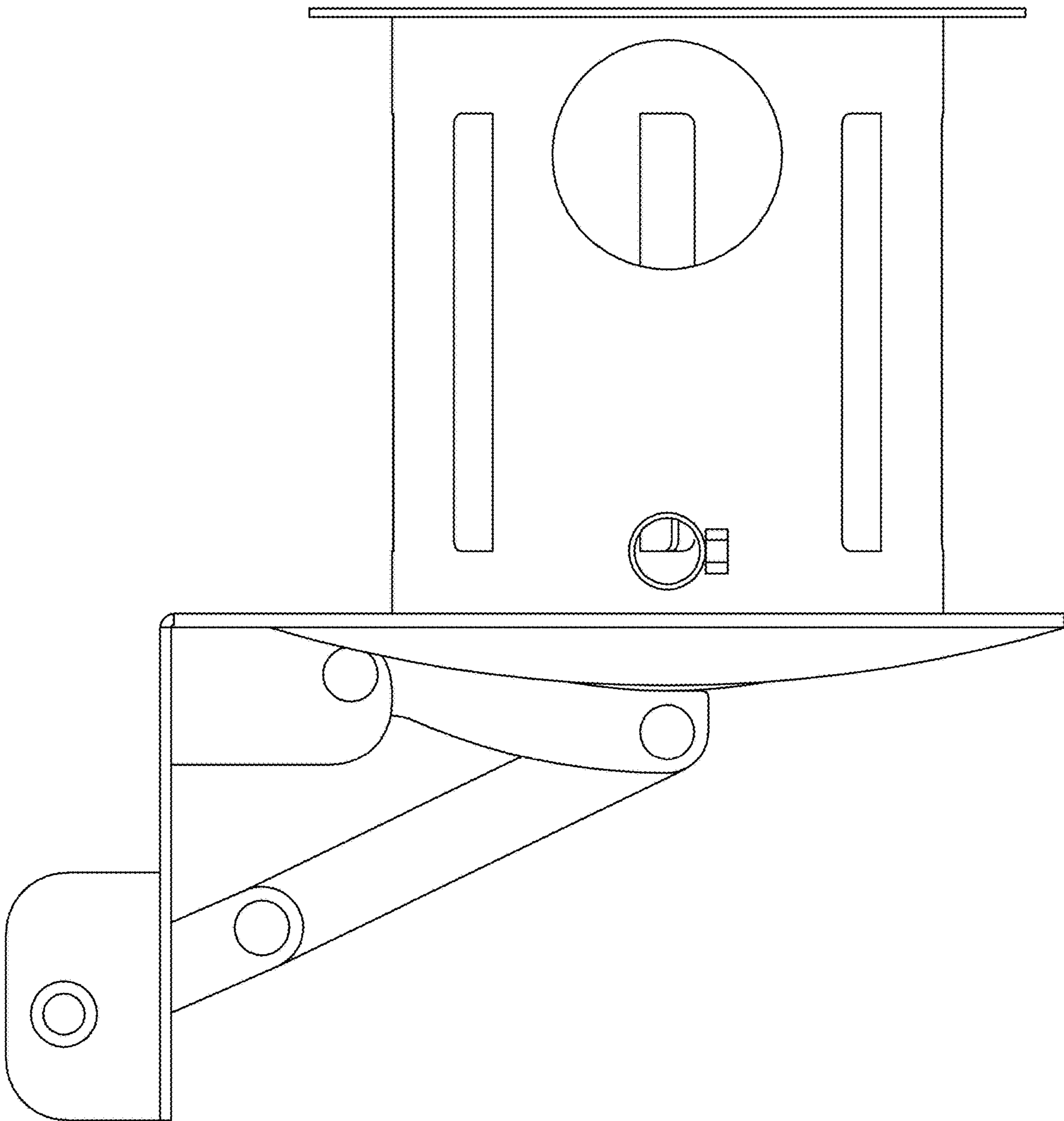


Fig.2

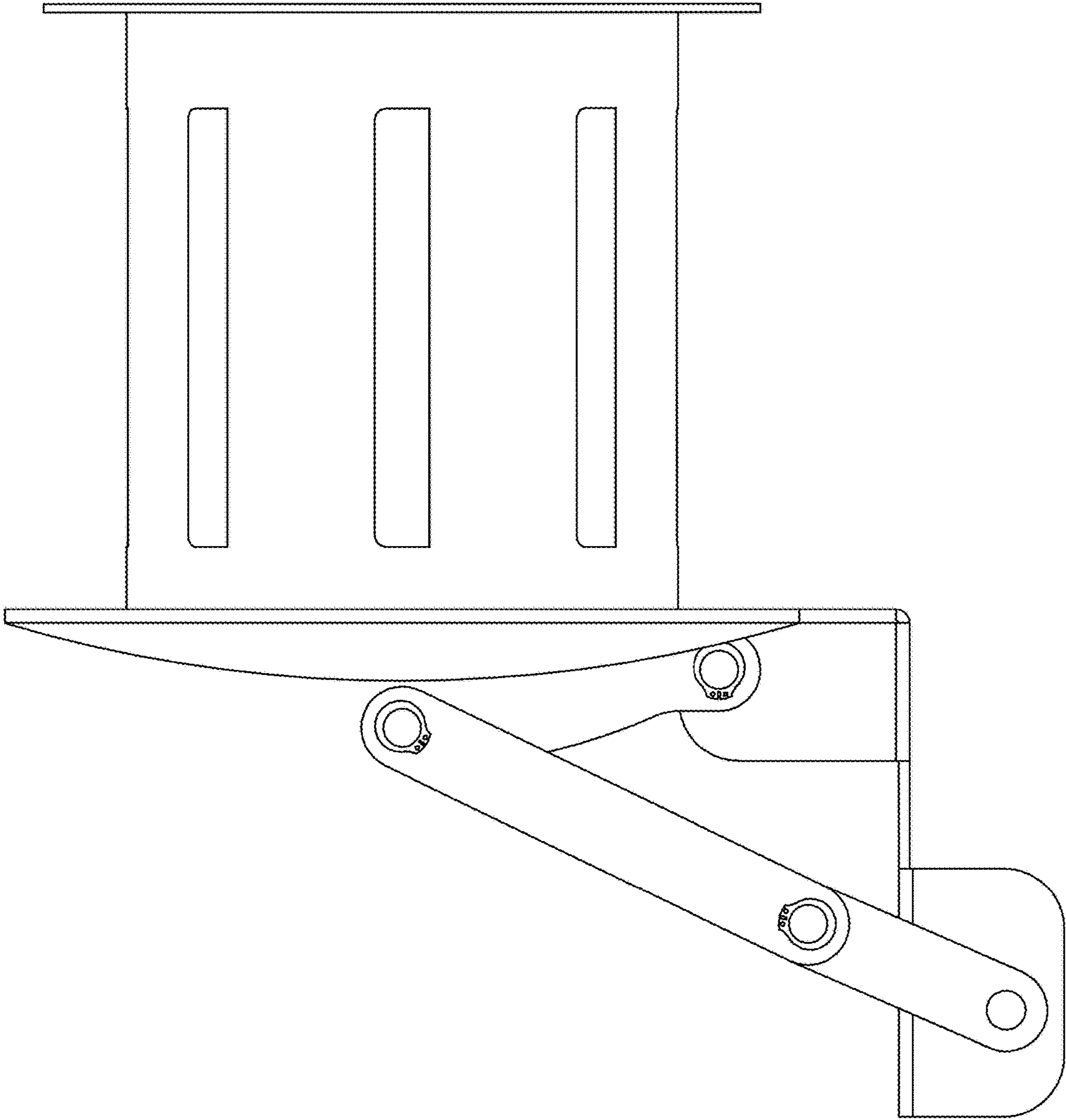


Fig.3

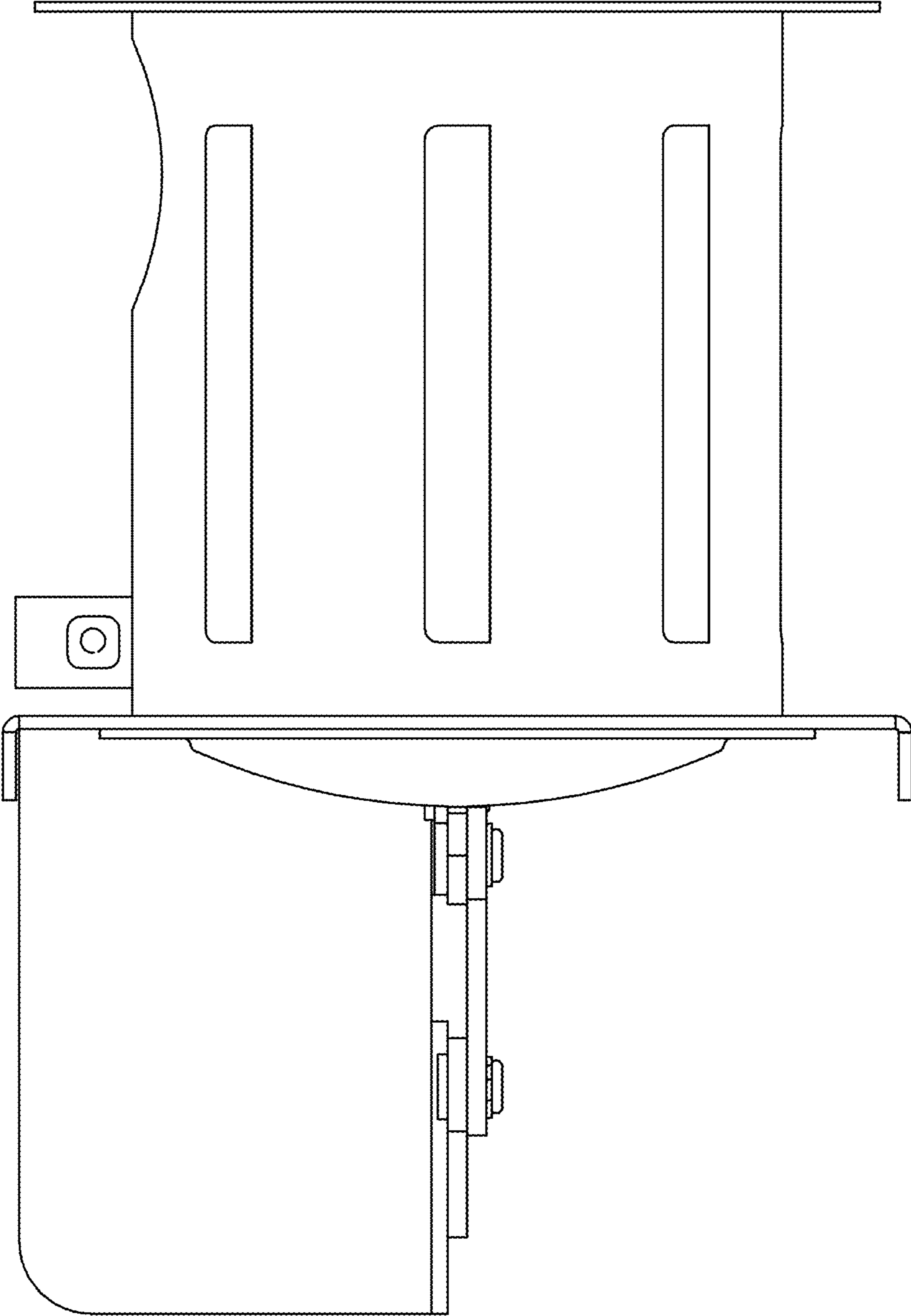


Fig.4

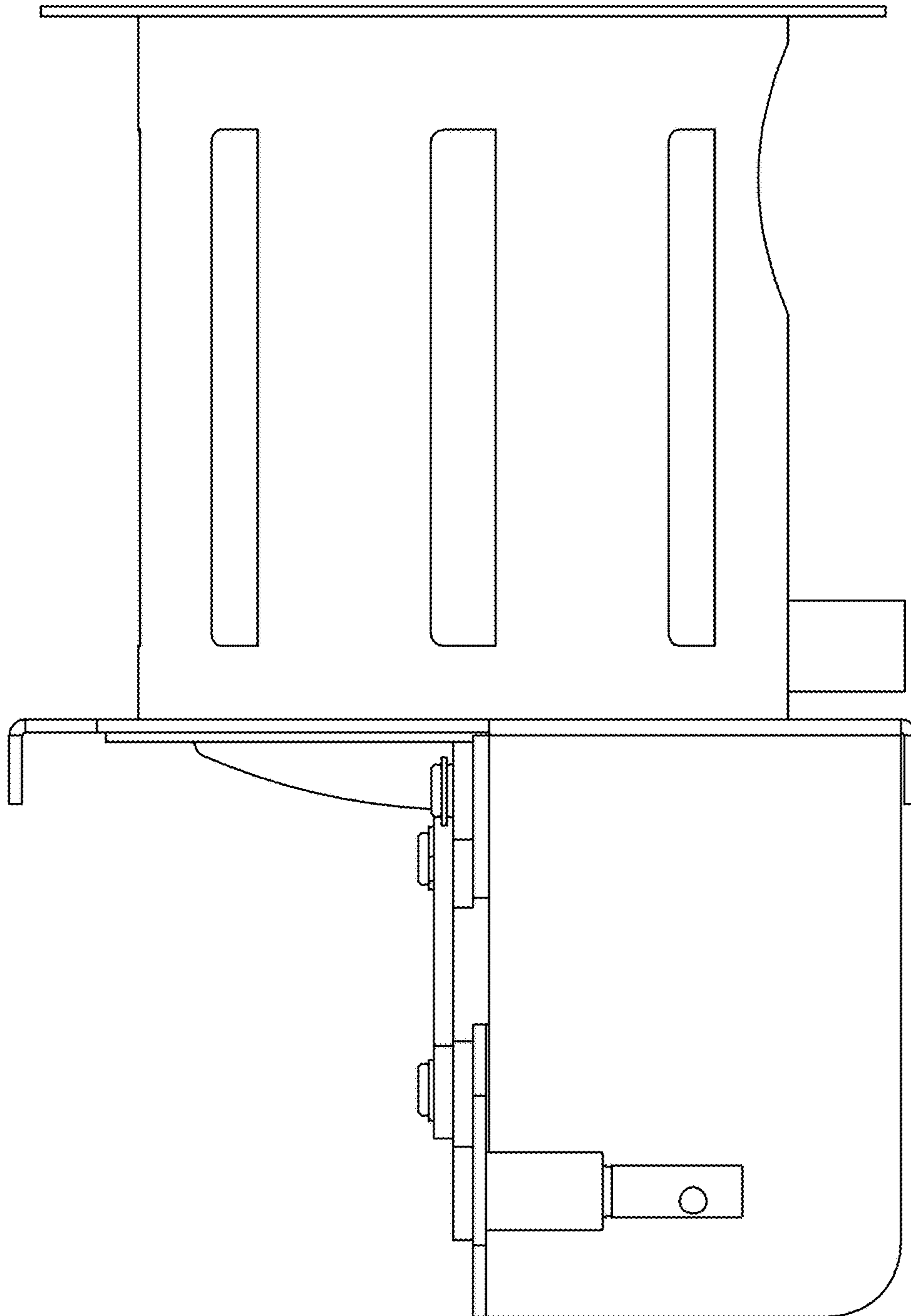


Fig. 5

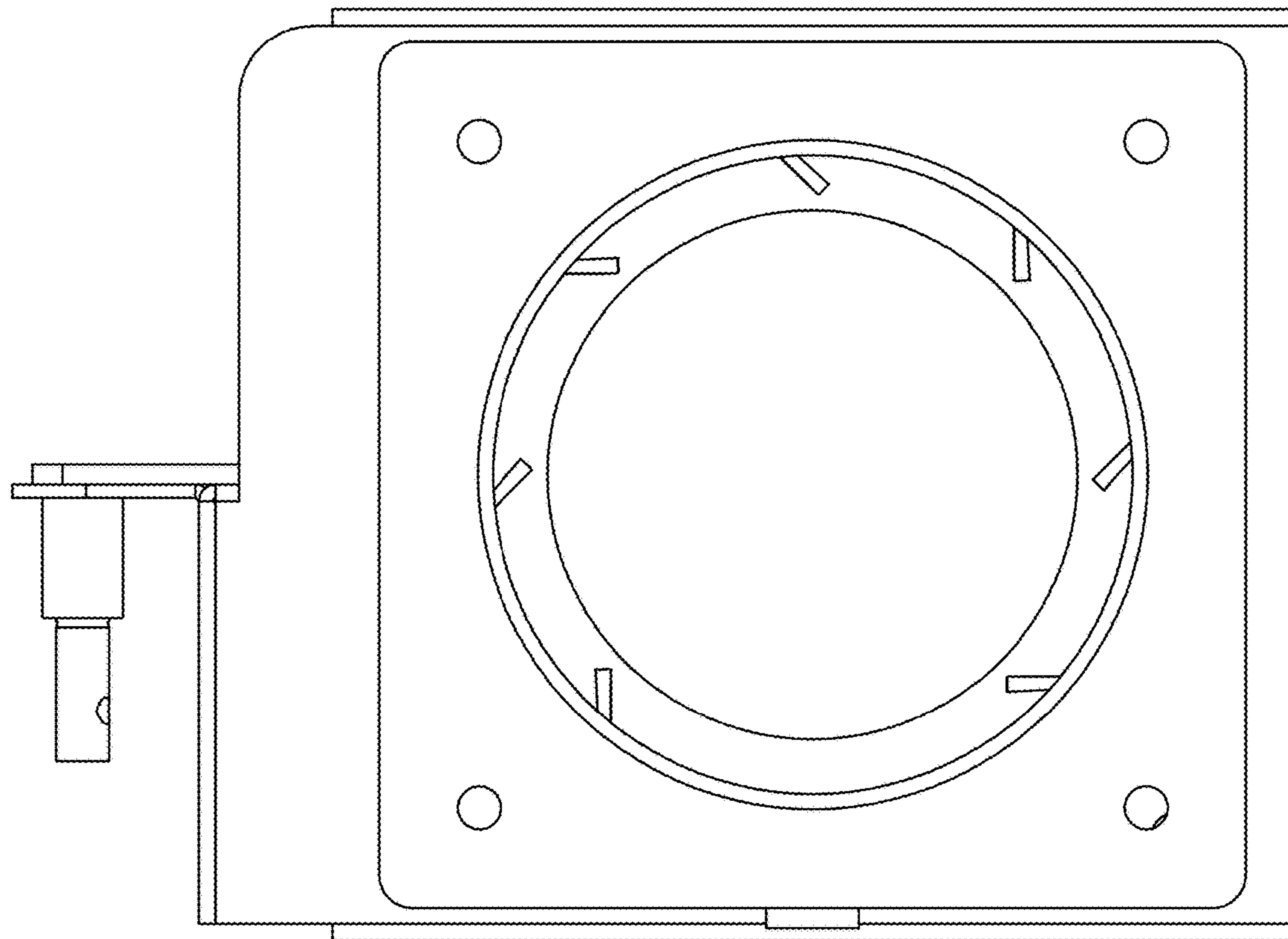


Fig.6

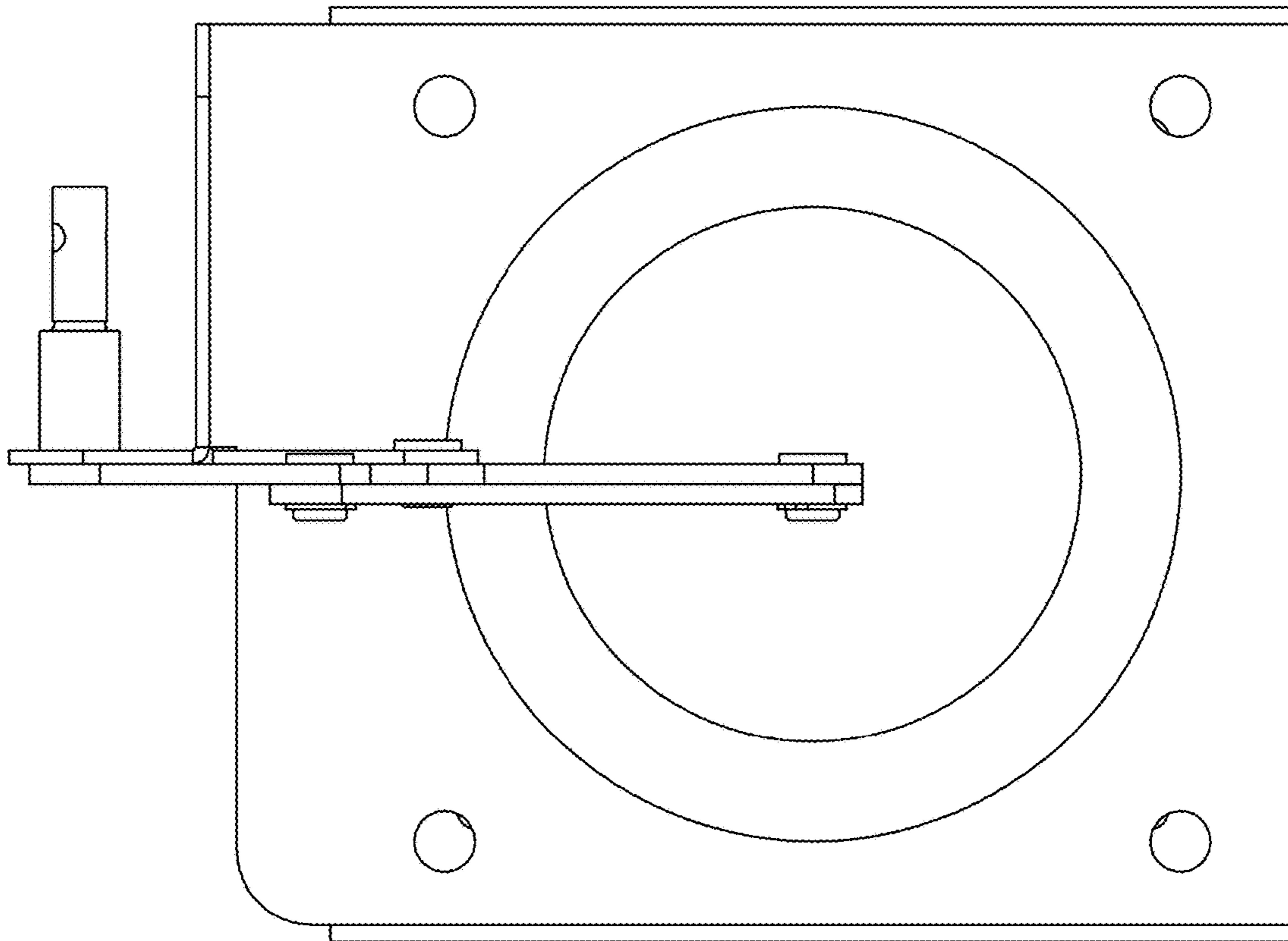


Fig.7

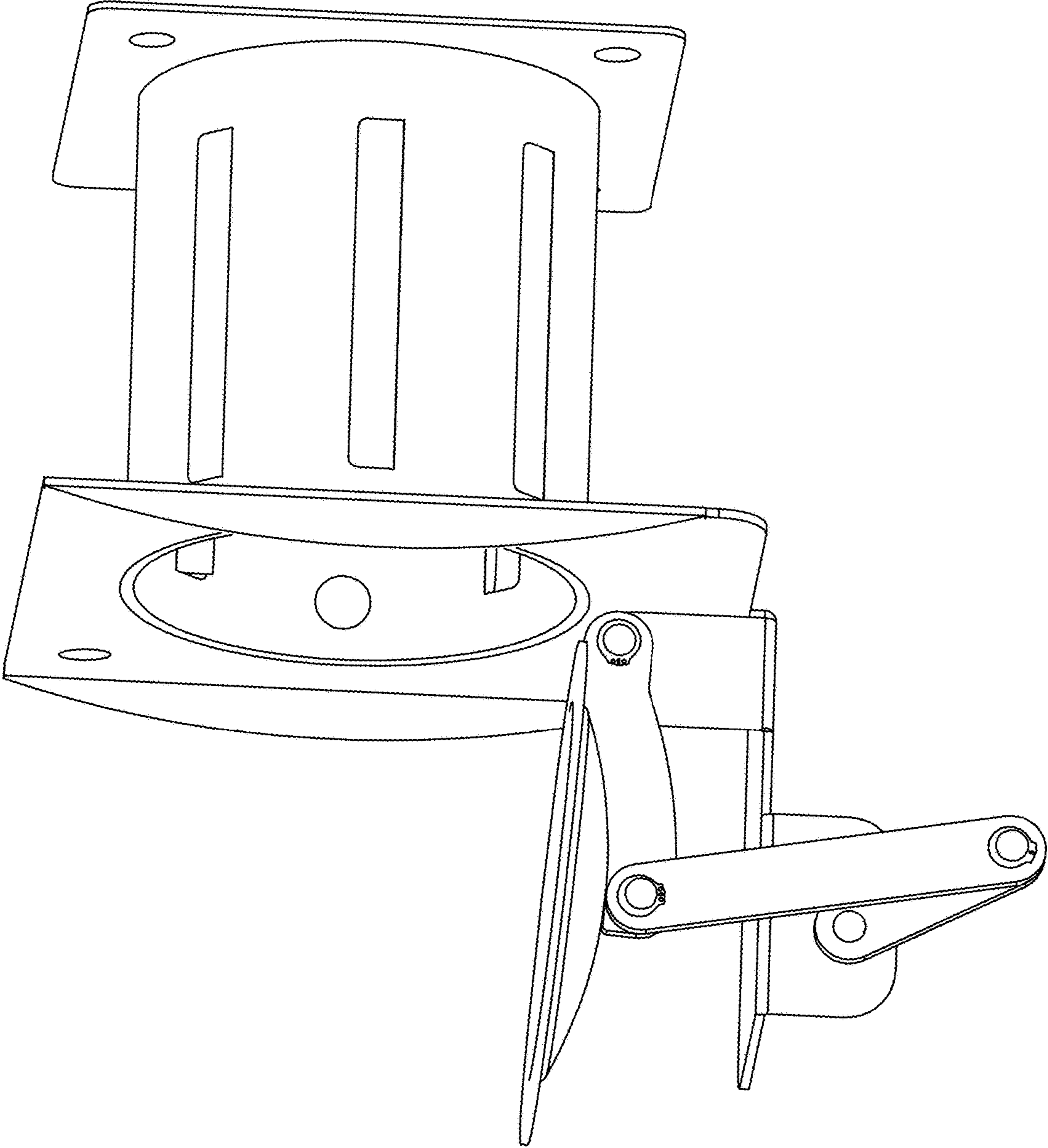


Fig.8

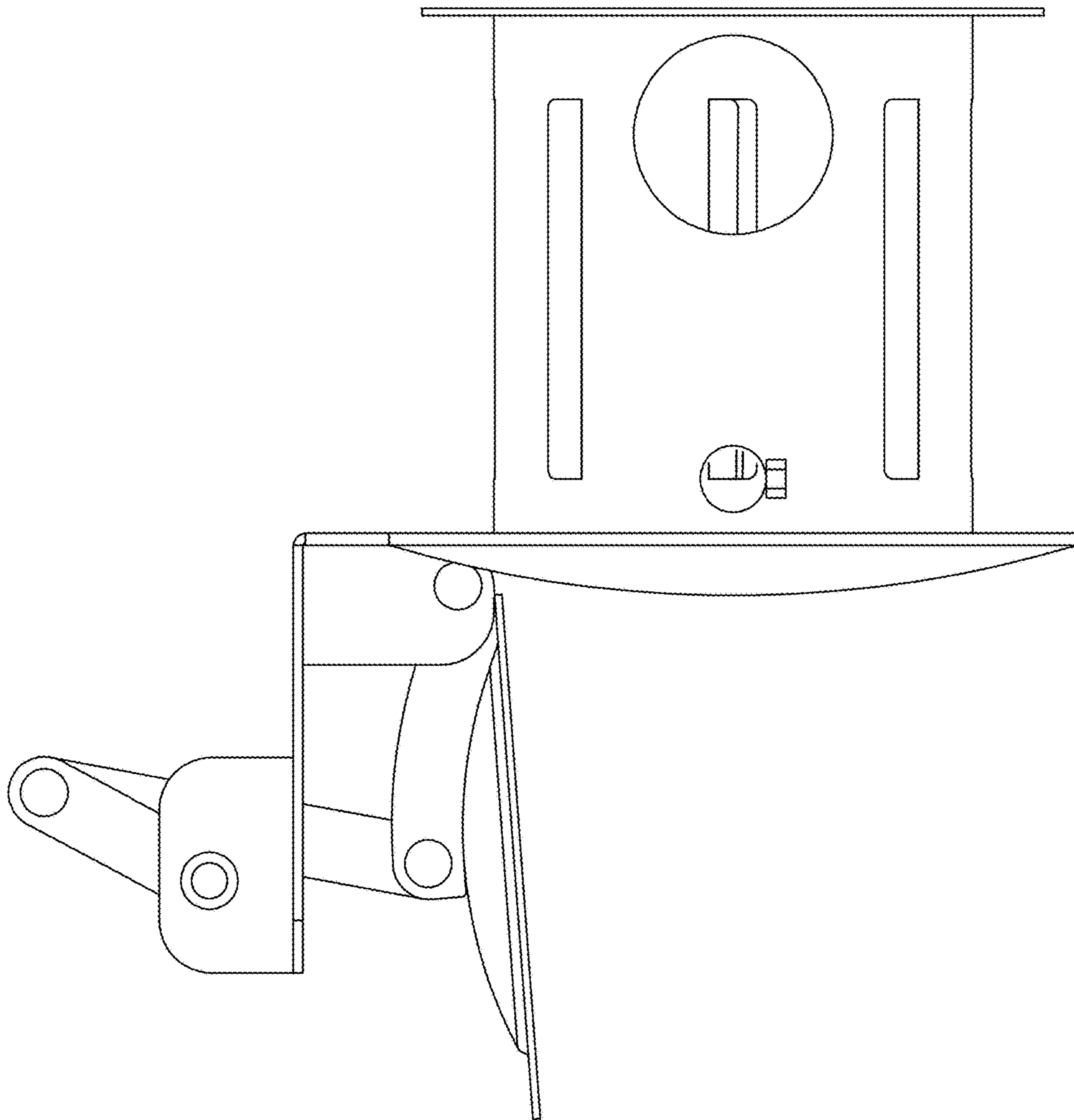


Fig. 9

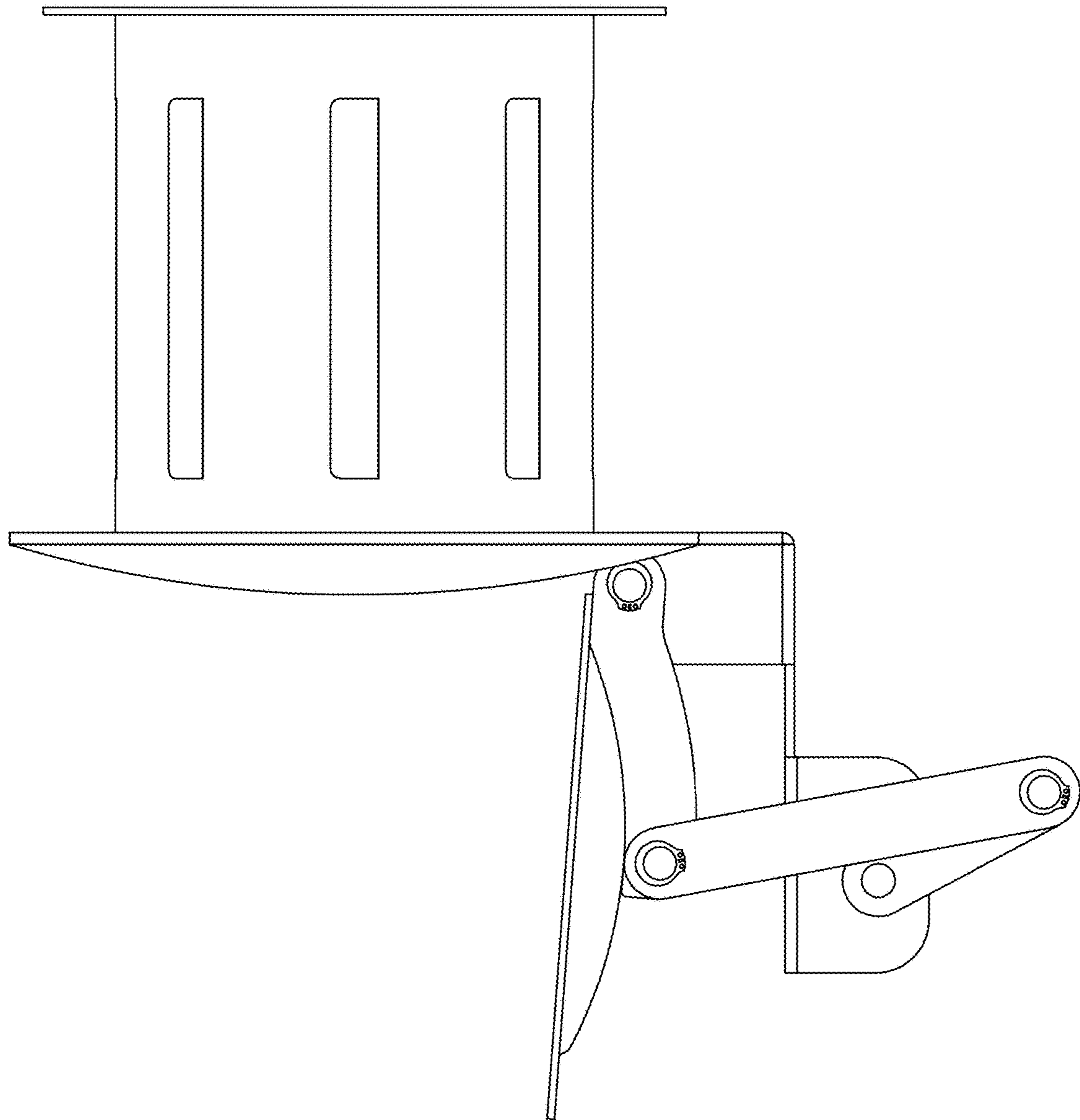


Fig.10

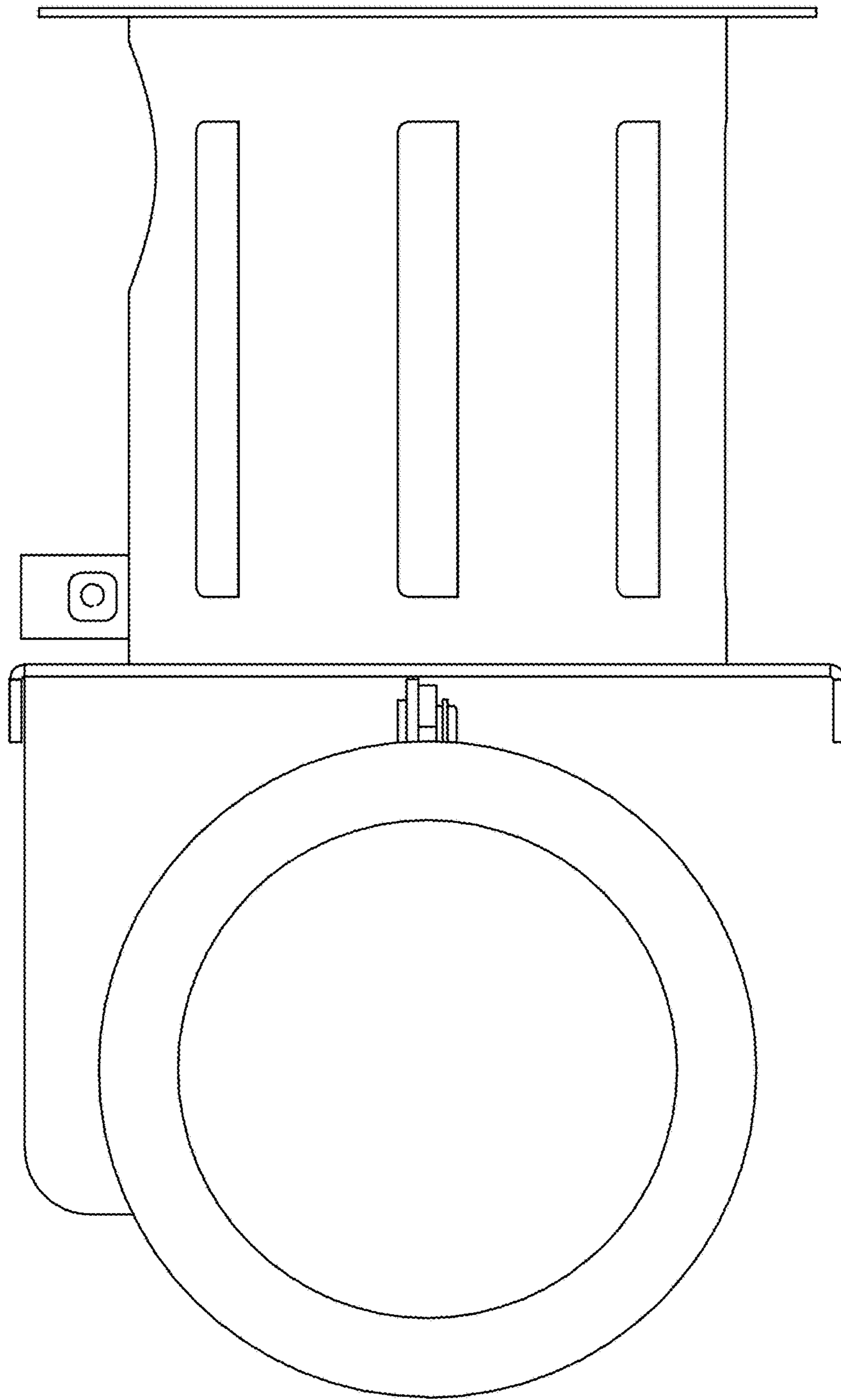


Fig.11

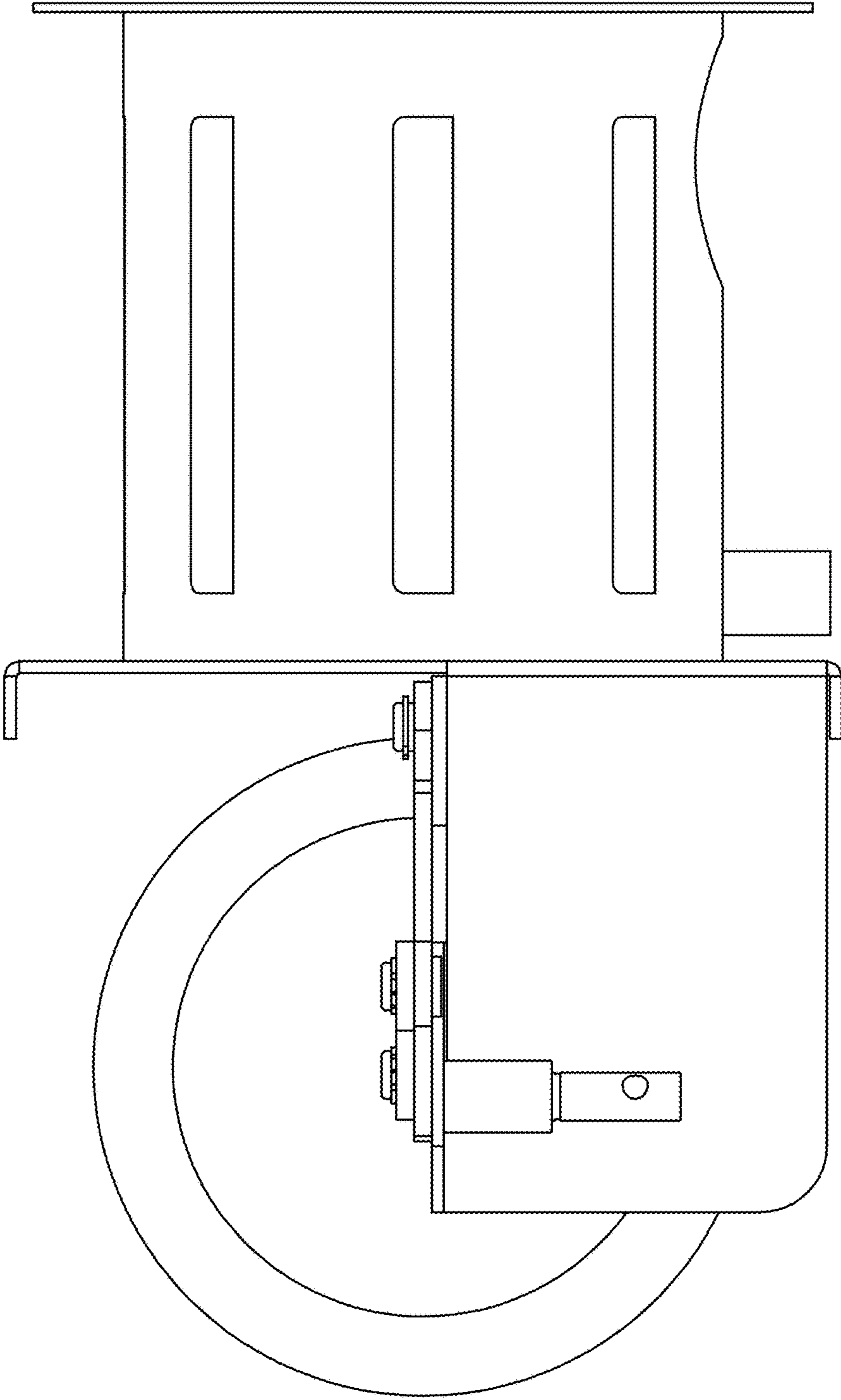


Fig.12

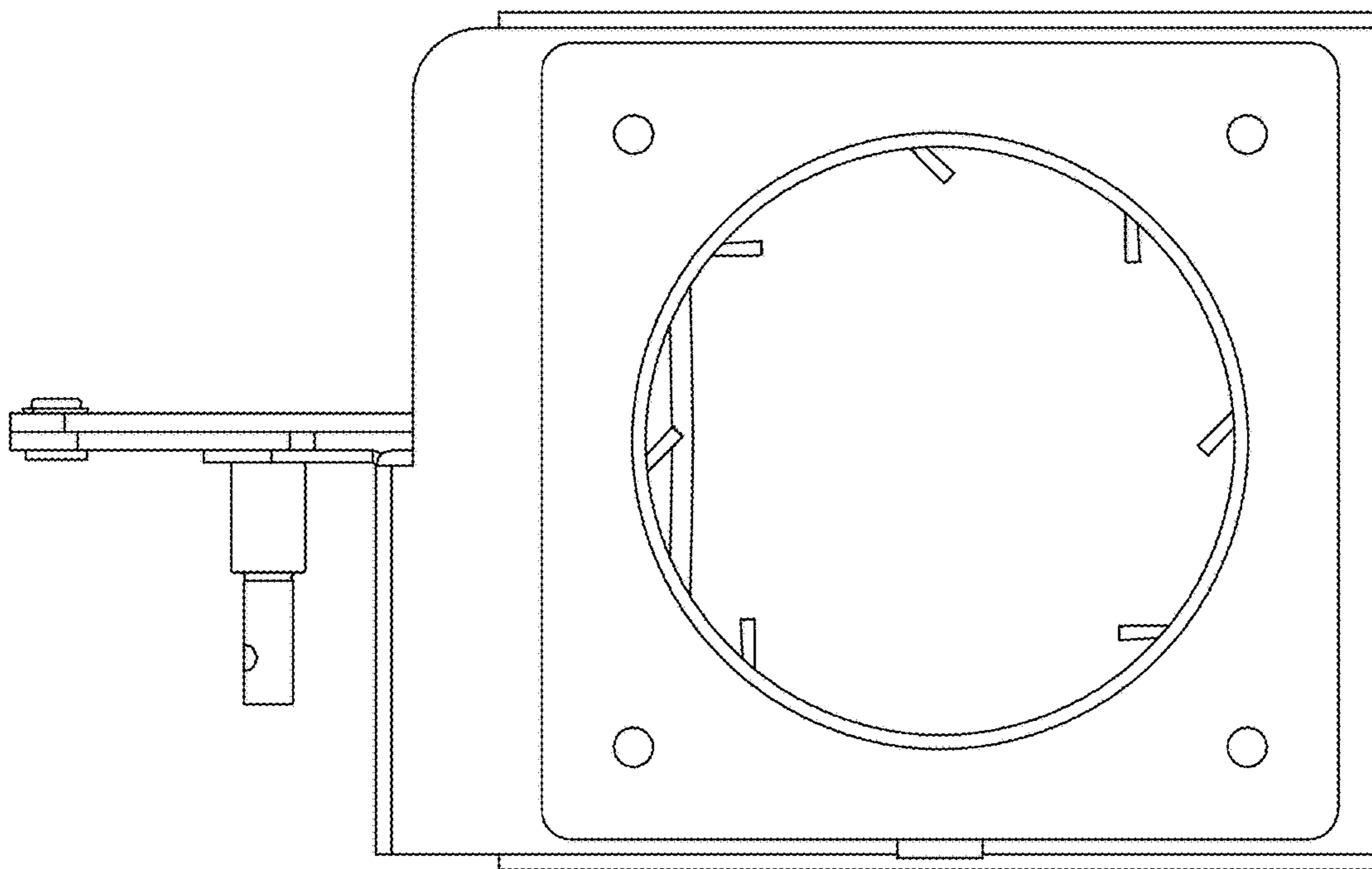


Fig.13

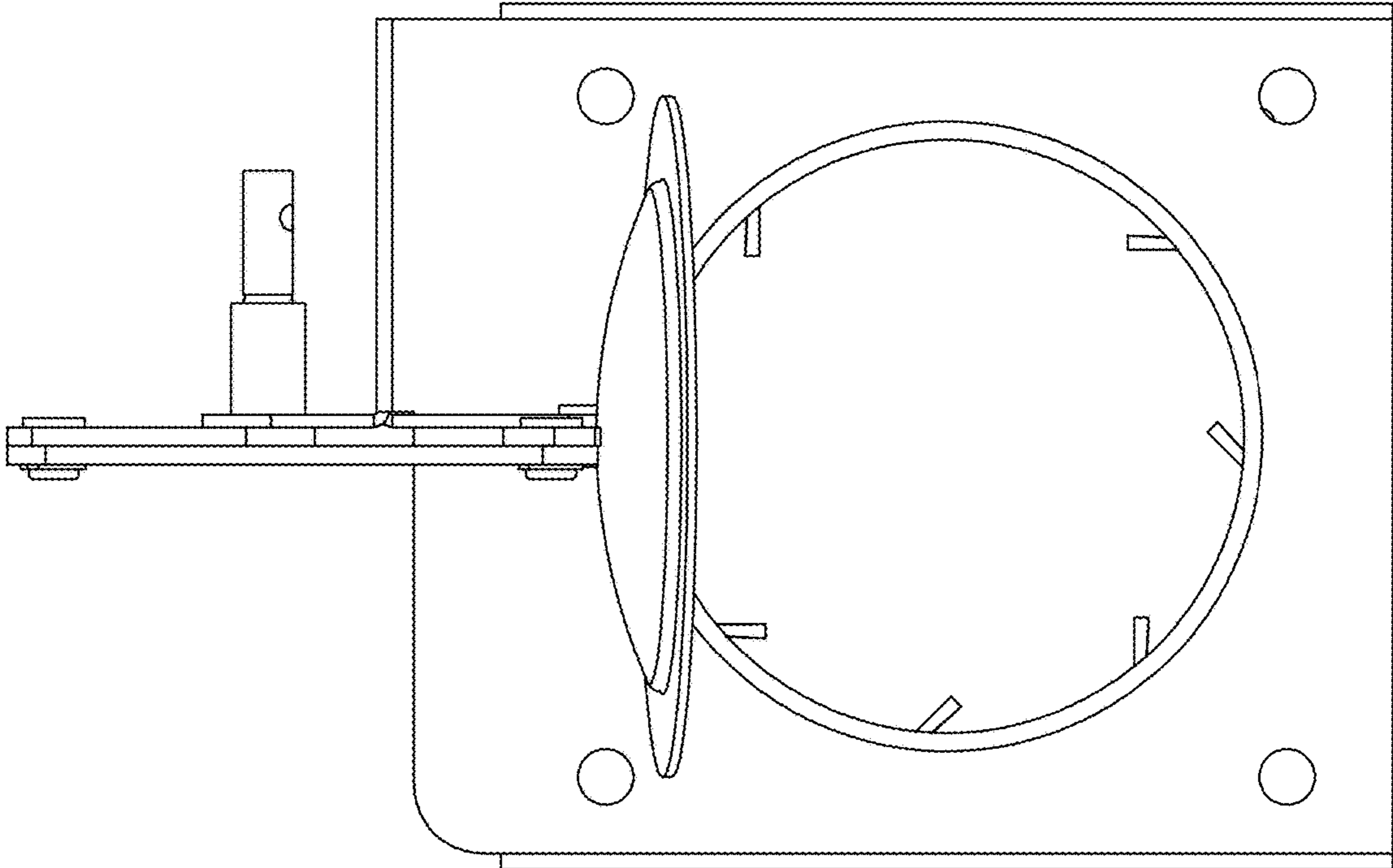


Fig.14