



US00D814011S

(12) **United States Design Patent** (10) **Patent No.:** **US D814,011 S**
McRoberts et al. (45) **Date of Patent:** **** Mar. 27, 2018**

(54) **CEILING FAN** D779,052 S * 2/2017 Gajewski D23/411
D783,796 S * 4/2017 Badarello D23/385
(71) Applicant: **HUNTER FAN COMPANY,** D783,797 S * 4/2017 Badarello D23/385
Memphis, TN (US) 2011/0052411 A1* 3/2011 Yamamoto F04D 25/08
416/244 R

(72) Inventors: **Claire Bernice McRoberts,** Memphis,
TN (US); **Patrick R. O’Connell,**
Memphis, TN (US)

(73) Assignee: **Hunter Fan Company,** Memphis, TN
(US)

(**) Term: **15 Years**

(21) Appl. No.: **29/582,808**

(22) Filed: **Oct. 31, 2016**

(51) **LOC (11) Cl.** **23-04**

(52) **U.S. Cl.**
USPC **D23/377; D23/385**

(58) **Field of Classification Search**
USPC D23/370, 377, 379, 385, 411; D26/59
CPC F04D 25/088; F21V 33/0096
See application file for complete search history.

(56) **References Cited**

U.S. PATENT DOCUMENTS

D430,930 S	*	9/2000	Zuege	D23/377
D451,189 S	*	11/2001	Liu	D23/377
D510,622 S	*	10/2005	Tai	D23/411
D517,675 S	*	3/2006	Young	D23/377
D521,625 S	*	5/2006	Young	D23/377
D528,645 S	*	9/2006	Young	D23/377
D547,483 S		7/2007	Pickett et al.		
D603,954 S		11/2009	Curtin		
D710,489 S	*	8/2014	Shurtleff	D23/377
D710,490 S		8/2014	Shurtleff		
D712,533 S		9/2014	Allen et al.		
D778,422 S	*	2/2017	Gajewski	D23/377

OTHER PUBLICATIONS

<http://www.quoruminternational.com/index.cfm/app/productDetail?product=53524-86>, Item Specification for Quorum 53524-86 Mission ob—Oiled Bronze Ceiling Fan, Accessed Oct. 28, 2016.
<http://ceilingfans.emerson.com/shop/en/fan/fans-s-emerson-fans/fans-s-transitional/amhurst-fan-p-cf880>, Item Specification for Emerson Amhurst 54" Ceiling fan, Accessed Oct. 28, 2016.
<http://www.hunterfan.com/Ceiling-Fans/HFC-72?ModelNumber=59136>, Item Specification for Hunter HFC-72—72" ceiling Fan, Accessed Oct. 28, 2016.
<http://www.hunterfan.com/Ceiling-Fans/Leoni?ModelNumber=59220>, Item Specification for Hunter Leoni—48" Ceiling Fan, Accessed Oct. 28, 2016.

(Continued)

Primary Examiner — Janice Hallmark
(74) *Attorney, Agent, or Firm* — McGarry Bair PC

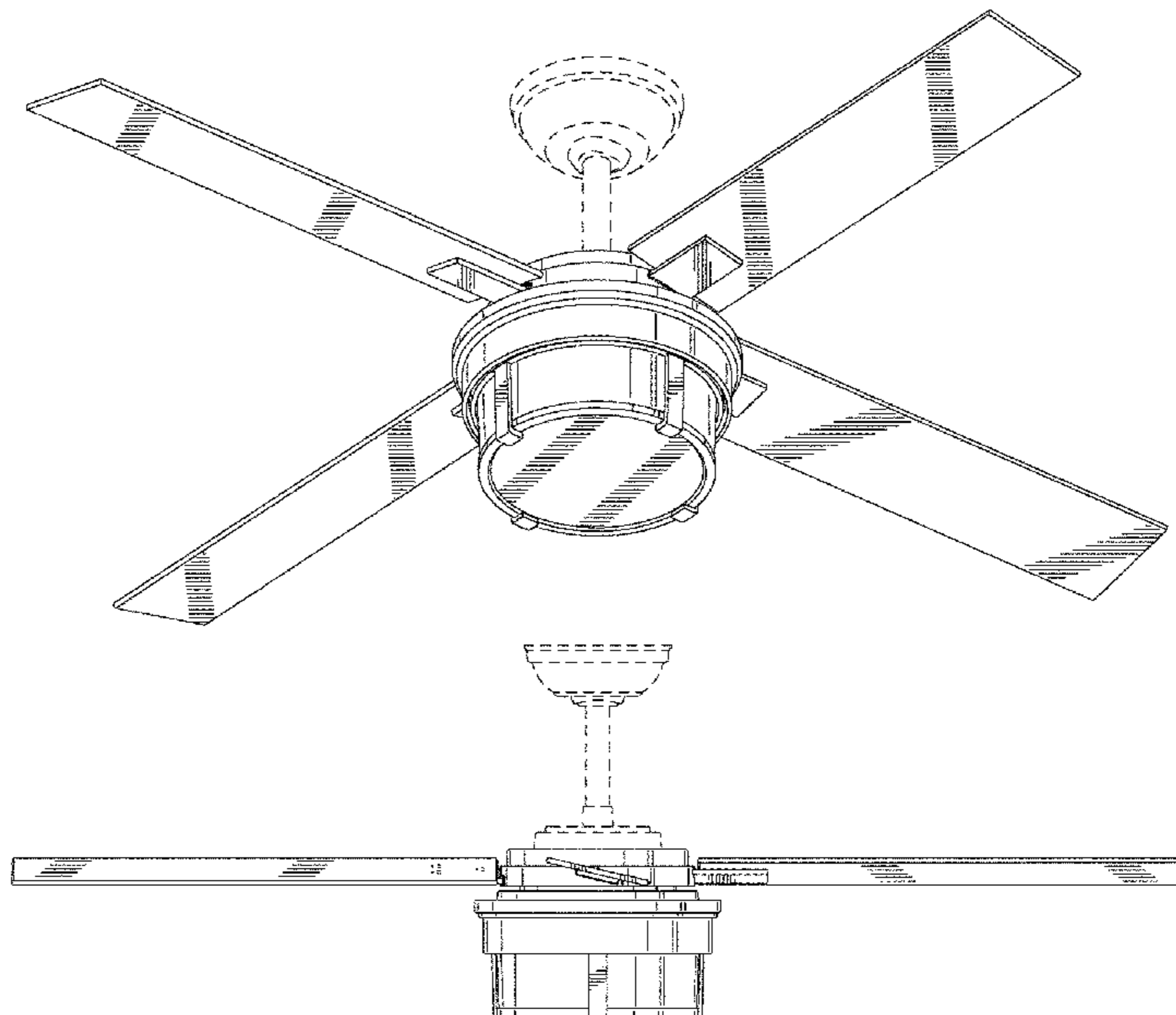
(57) **CLAIM**

The ornamental design for a ceiling fan, as shown and described.

DESCRIPTION

FIG. 1 is a top perspective view of a ceiling fan showing my new design;
FIG. 2 is a bottom perspective view of the ceiling fan of FIG. 1;
FIG. 3 is a top view of the ceiling fan of FIG. 1;
FIG. 4 is a bottom view of the ceiling fan of FIG. 1; and,
FIG. 5 is a side view of the ceiling fan of FIG. 1.
Portions of the ceiling fan shown in broken lines form no part of the claimed design.

1 Claim, 5 Drawing Sheets



(56)

References Cited

OTHER PUBLICATIONS

<http://www.montecarlofans.com/44074/60in-Empire---Matte-Black-8EER60BKD.html>, Item Specification for Monte Carlo 60" Empire—Mate Black, Accessed Oct. 28, 2016.

<http://www.minkagroup.net/products/f524-whf>, Item Specification for Minka Aire 52" 3 Blade Ceiling Fan in Flat White Finish, Accessed Oct. 28, 2016.

<http://www.fanimation.com/products/index.php/fans/inlet.html>, Item Specification for Fanimation Inlet, Accessed Oct. 28, 2016.

<http://www.montecarlofans.com/32464/52-Dakota-Fan---Espresso-5DKR52ESD.html>, Item Specification for Monte Carlo 52" Dakota Fan—Espresso, Accessed Oct. 28, 2016.

<http://www.homedepot.com/p/Hampton-Bay-Tipton-II-52-in-Oil-Rubbed-Bronze-Ceiling-Fan-AL995-ORB/203786413>, Item Specification for Hampton Bay Tipton II 52 in. Oil-Rubbed Bronze Ceiling Fan, Accessed Oct. 28, 2016.

<http://www.craftmade.com/Craftmade-MOR54ESP3-Espresso-Ceiling-Fan.HTM>, Item Specification for Craftmade MOR54ESP3—Moorestad Espresso Finish, Accessed Oct. 28, 2016.

<http://www.fanimation.com/products/index.php/fans/stafford.html>, Item Specification for Fanimation Stafford, Accessed Oct. 28, 2016.

<http://www.hunterfan.com/Ceiling-Fans/Acadia?ModelNumber=59171>, Item Specification for Hunter Acadia—46" Ceiling Fan, Accessed Oct. 28, 2016.

* cited by examiner

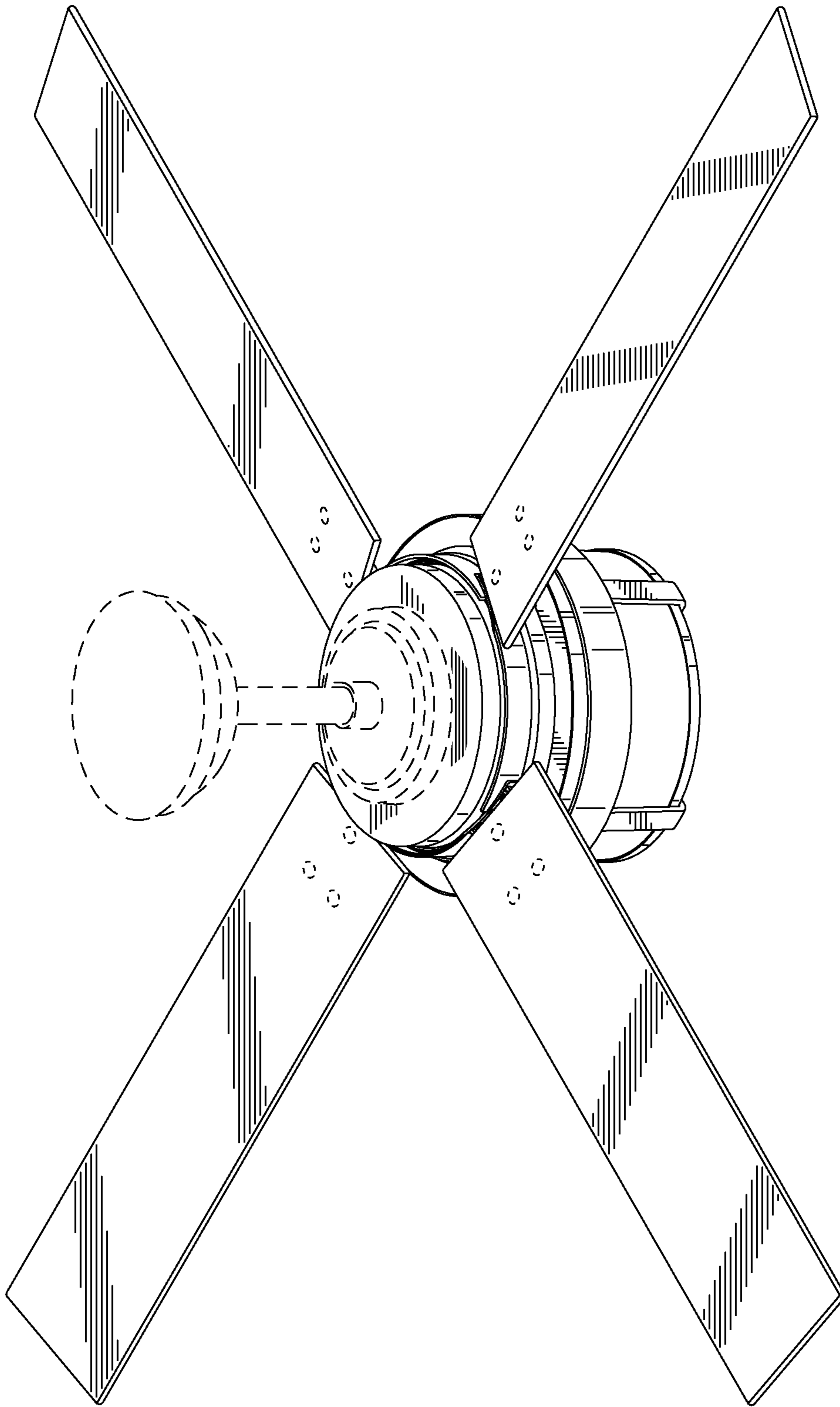


FIG.1

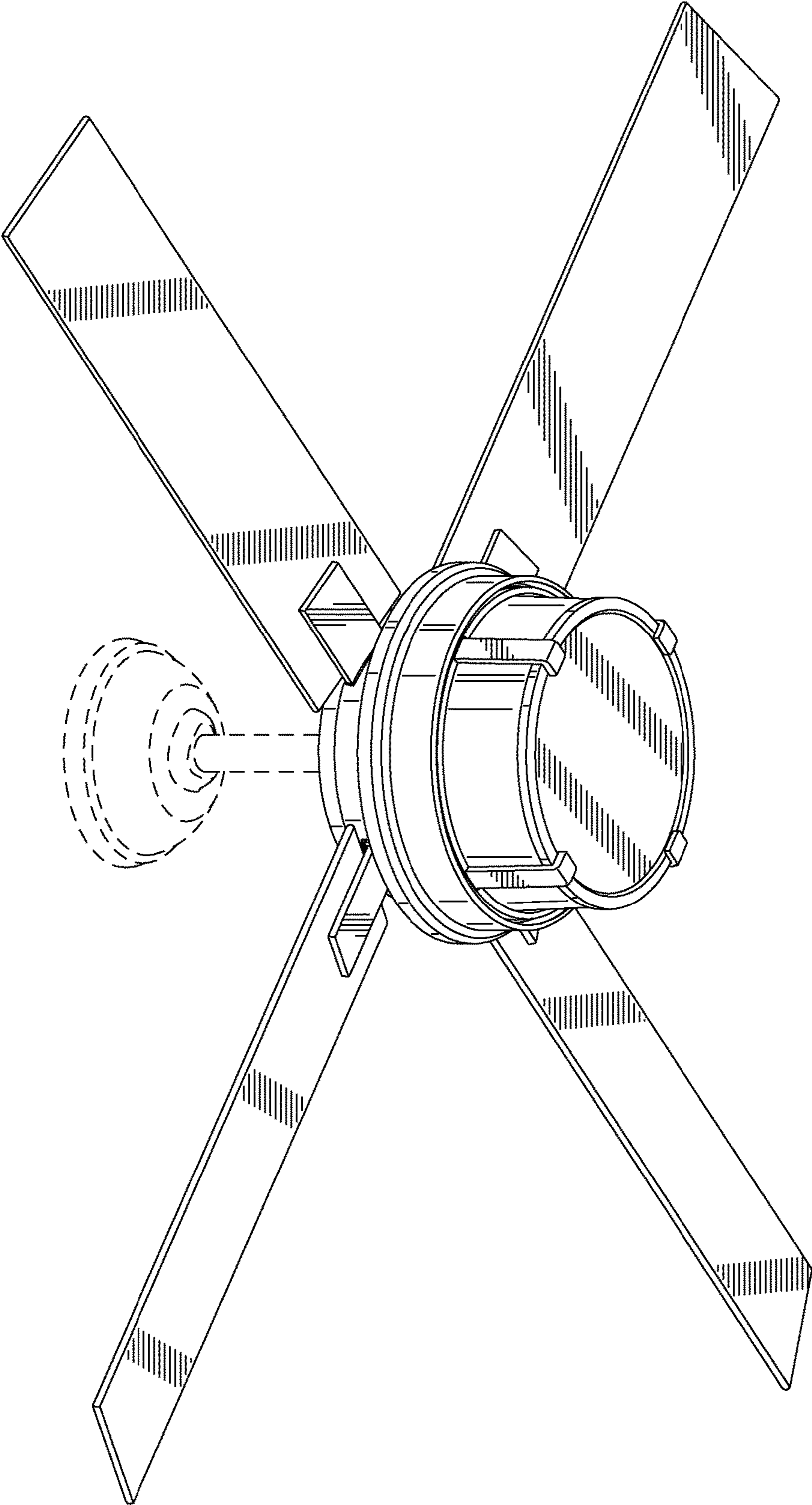


FIG.2

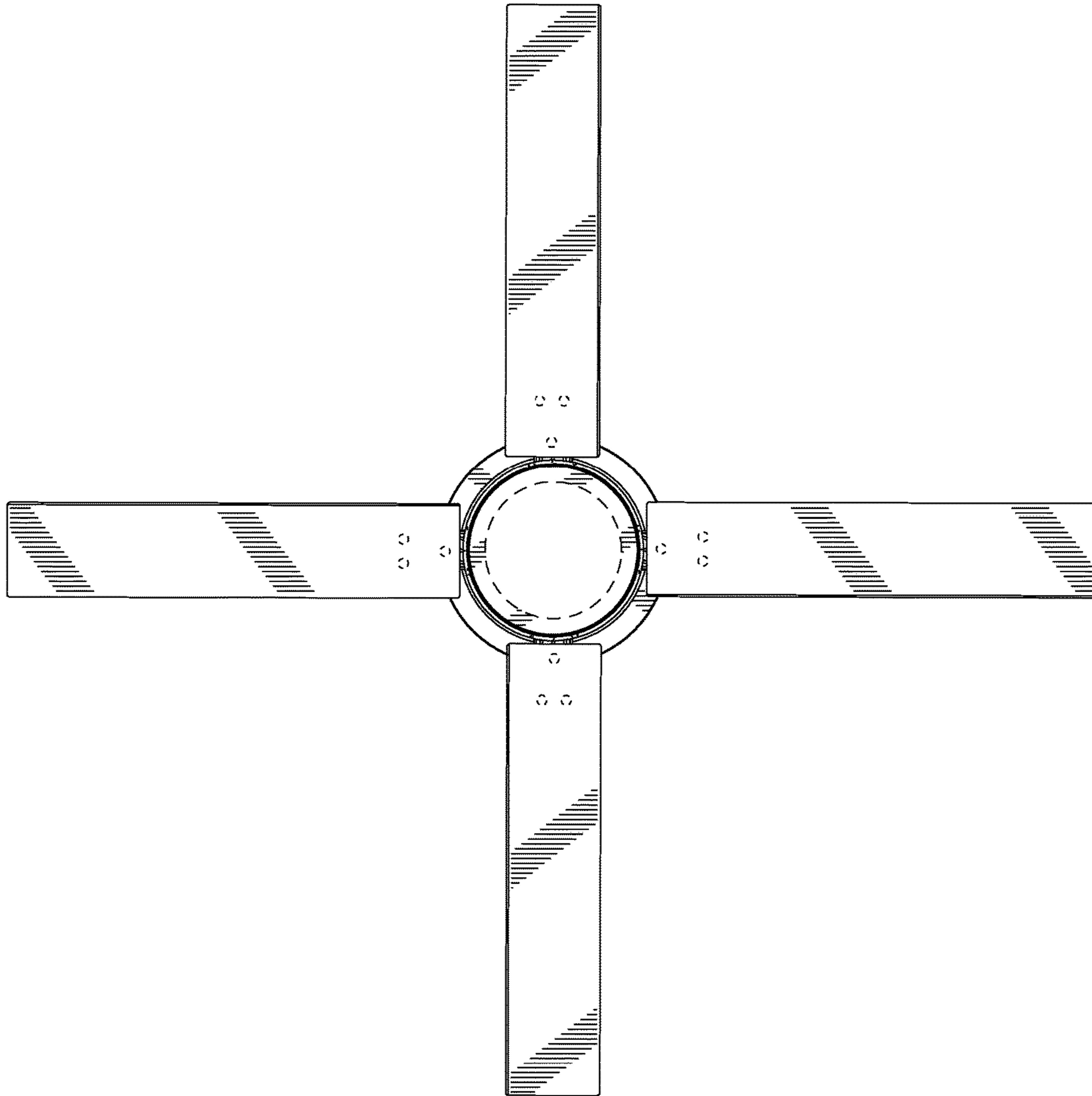


FIG. 3

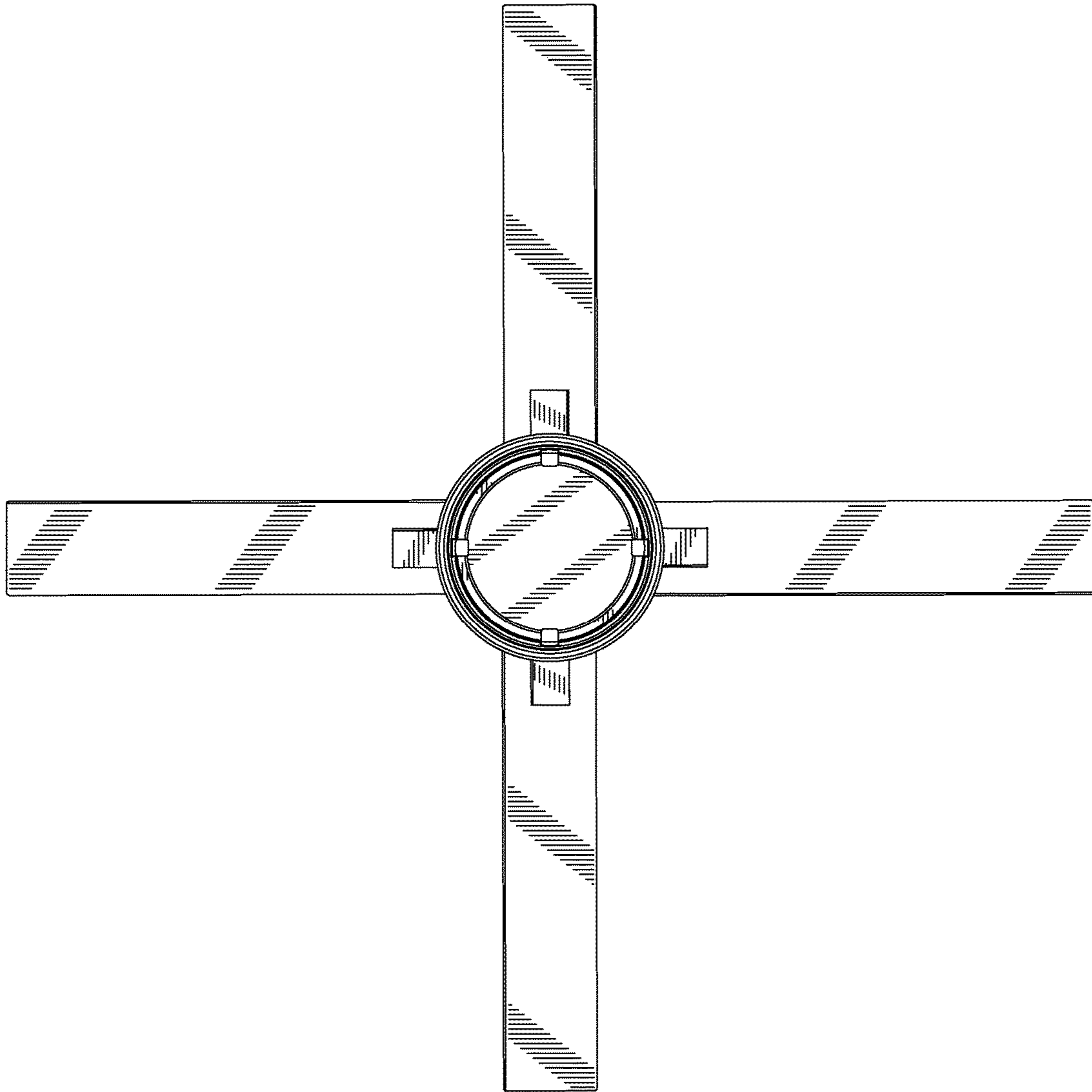


FIG.4

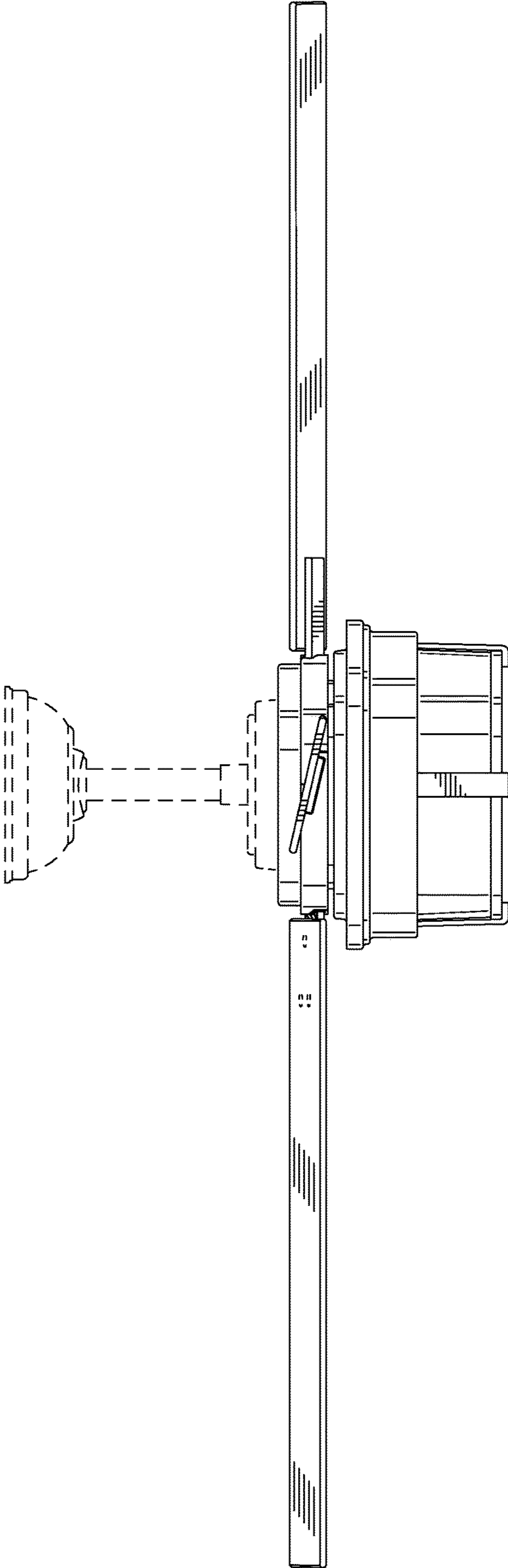


FIG. 5