



US00D814010S

(12) **United States Design Patent**
Schrock et al.

(10) **Patent No.:** **US D814,010 S**
(45) **Date of Patent:** **** Mar. 27, 2018**

- (54) **CONDENSER EXHAUST HOOD**
- (71) Applicant: **OY HALTON GROUP LTD.**, Helsinki (FI)
- (72) Inventors: **Derek W. Schrock**, Bowling Green, KY (US); **Chou Shen**, Shanghai (CN)
- (73) Assignee: **OY HALTON GROUP LTD.**, Helsinki (FI)
- (**) Term: **15 Years**
- (21) Appl. No.: **29/537,093**
- (22) Filed: **Aug. 21, 2015**
- (51) **LOC (11) Cl.** **23-04**
- (52) **U.S. Cl.**
USPC **D23/371**
- (58) **Field of Classification Search**
USPC D7/323, 339-349, 402; D23/314, 355, D23/370-372
CPC . F24F 13/06; F24F 13/20; F24F 13/22; F24C 15/20; F24C 15/2007
See application file for complete search history.

- D699,831 S * 2/2014 Funnell, II D23/371
- D730,508 S * 5/2015 Funnell, II D23/372
- D747,314 S * 1/2016 Sandusky D23/371
- 9,777,929 B2 * 10/2017 Bagwell F24C 15/2007

OTHER PUBLICATIONS

Opposition request dated Dec. 5, 2016 in Columbian industrial design application 16-400.084.

* cited by examiner

Primary Examiner — Ricky Pham

(74) *Attorney, Agent, or Firm* — Potomac Law Group, PLLC; Mark Catan

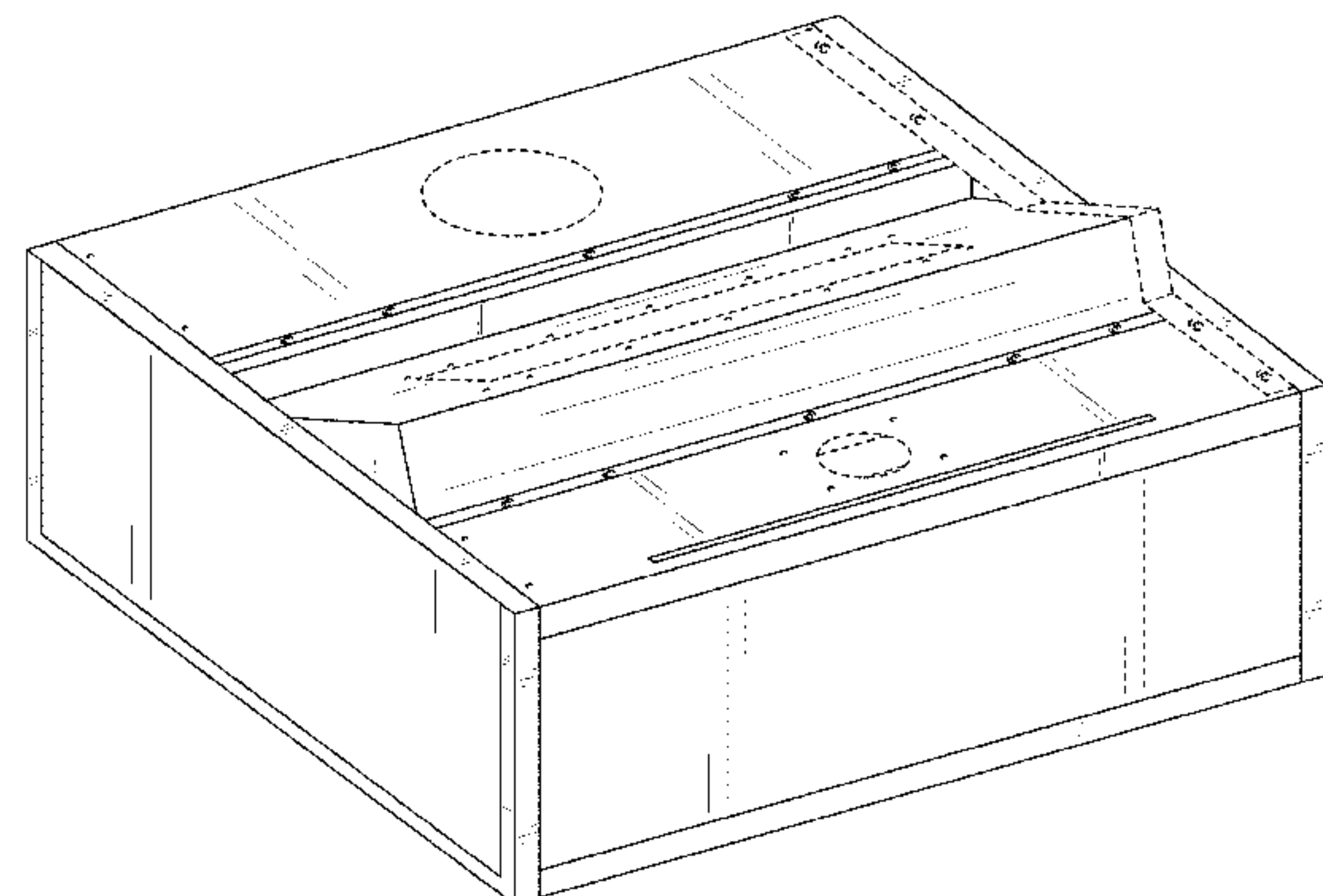
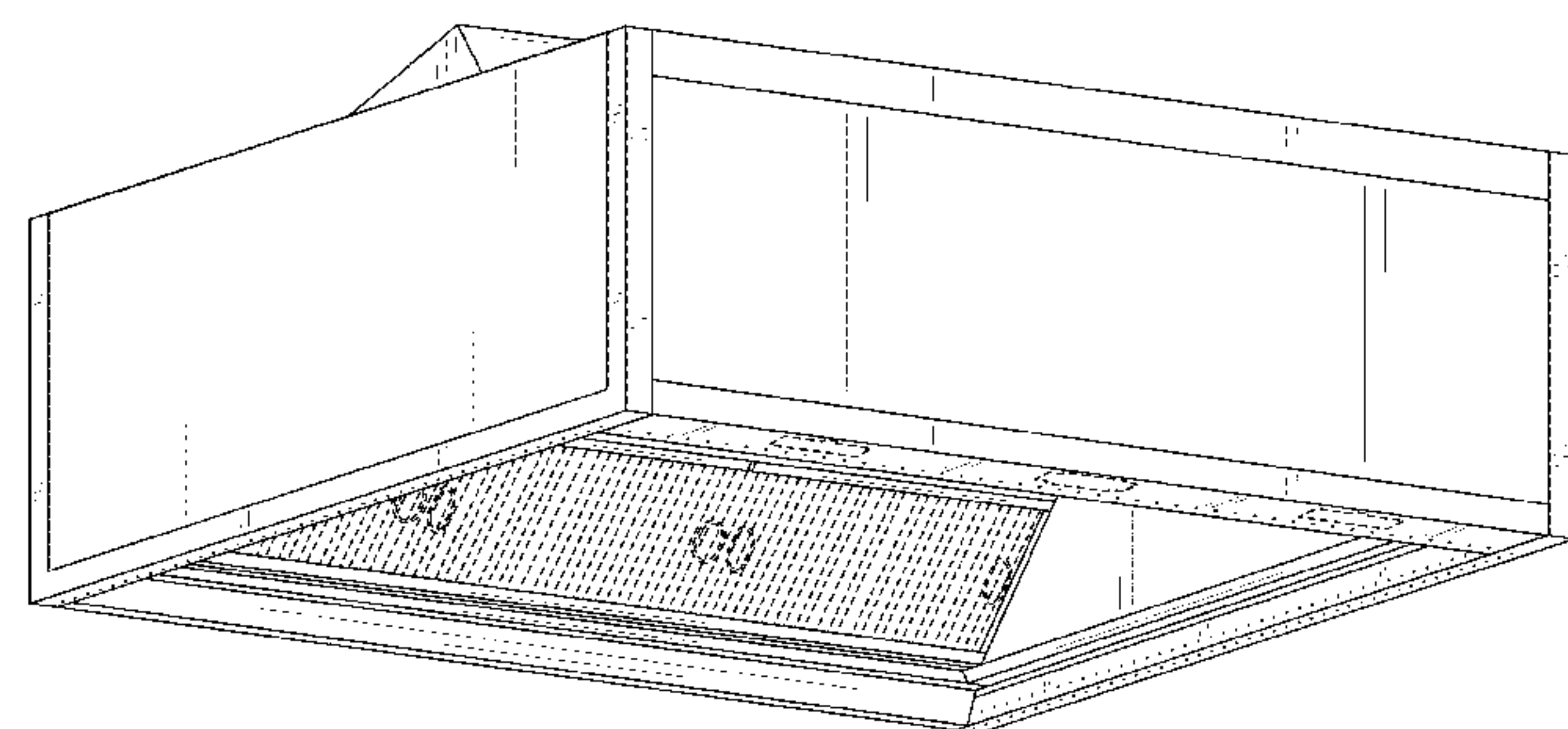
(57) **CLAIM**

The ornamental design for a condenser exhaust hood, as shown and described.

DESCRIPTION

FIG. 1 is a bottom front perspective view of the condenser exhaust hood, showing the new design;
 FIG. 2 is a bottom rear perspective view thereof;
 FIG. 3 is a front elevational view thereof;
 FIG. 4 is a rear elevational view thereof;
 FIG. 5 is a side elevational view thereof;
 FIG. 6 is another side elevational view thereof;
 FIG. 7 is a top plan view thereof;
 FIG. 8 is a bottom plan view thereof; and,
 FIG. 9 is a top front perspective view thereof.
 The broken lines are included for the purpose of illustrating unclaimed portions of the condenser exhaust hood and form no part of the claimed design.

1 Claim, 7 Drawing Sheets



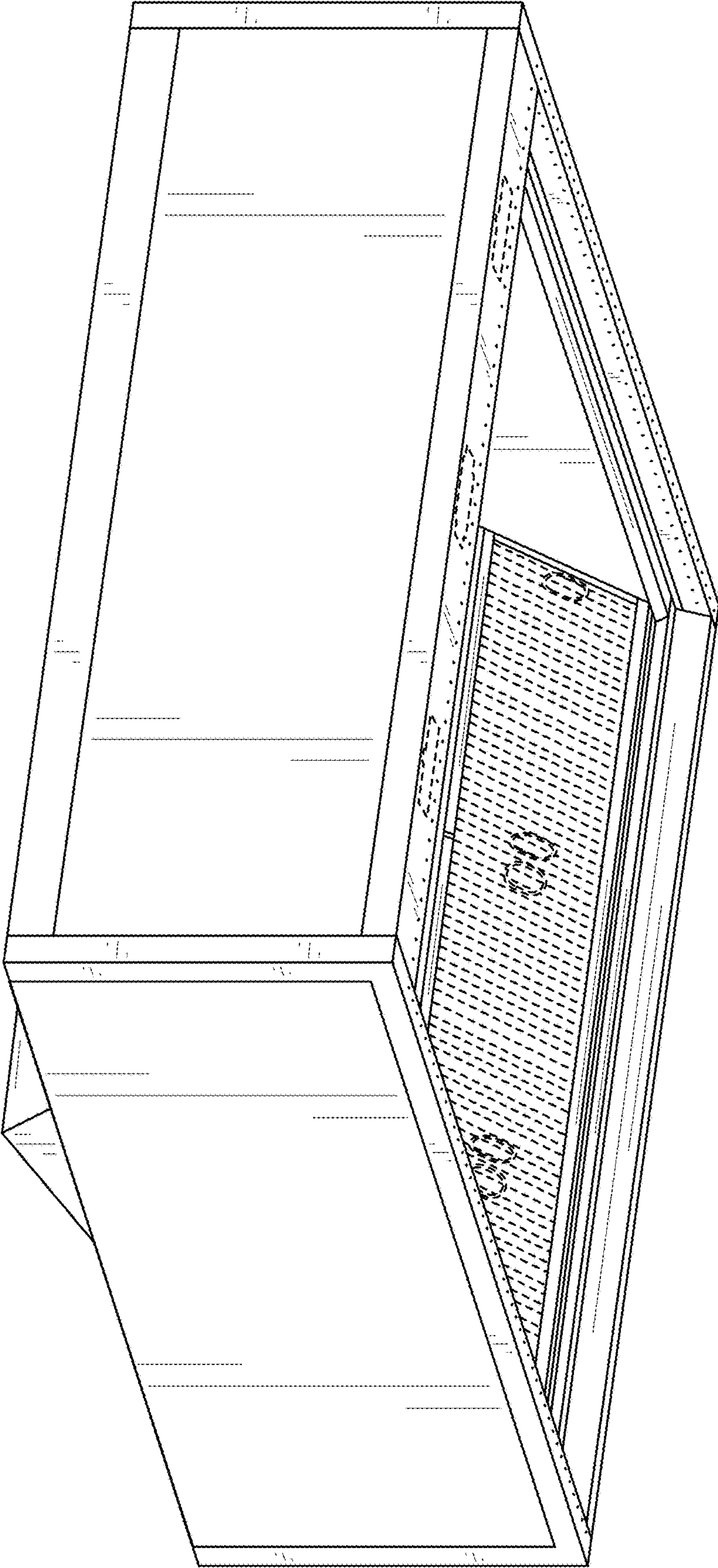


FIG. 1

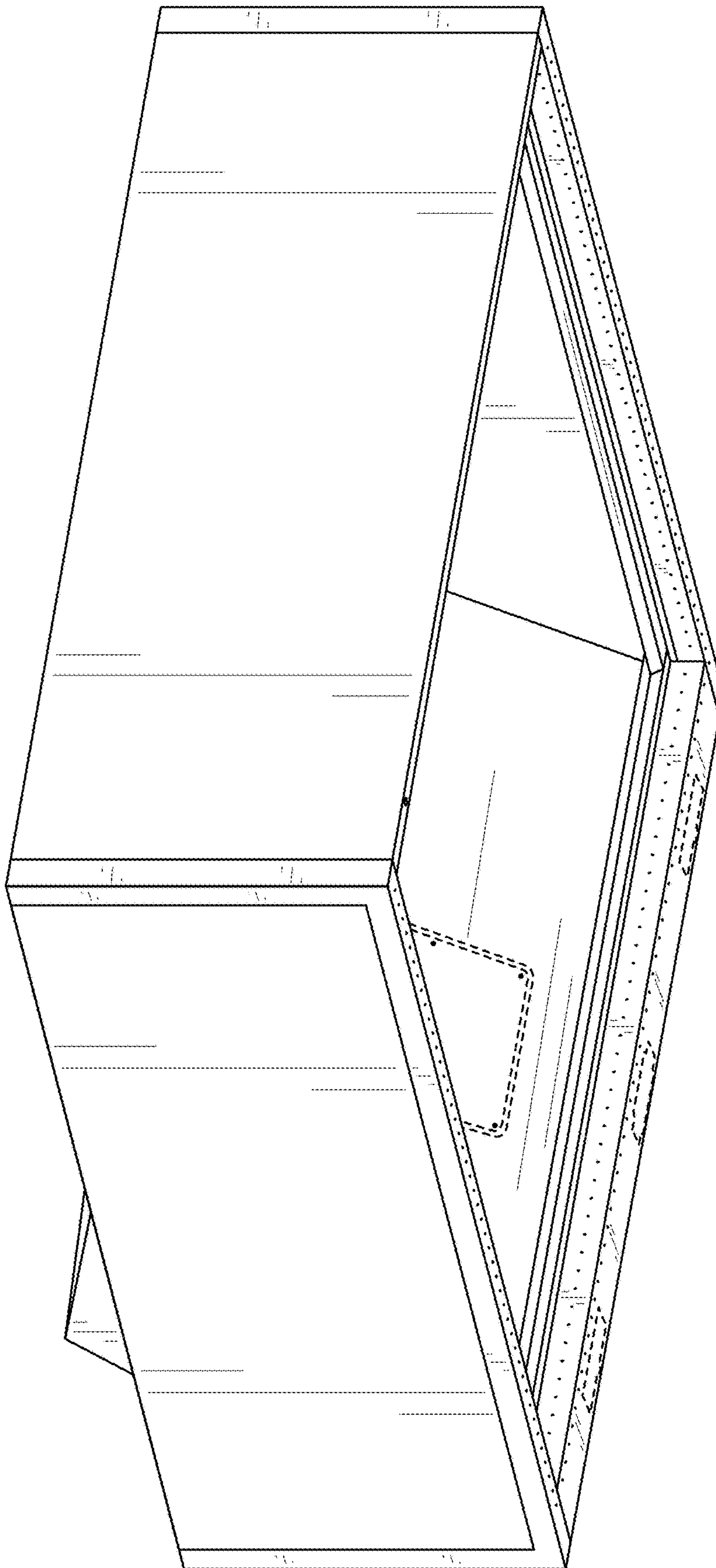


FIG. 2

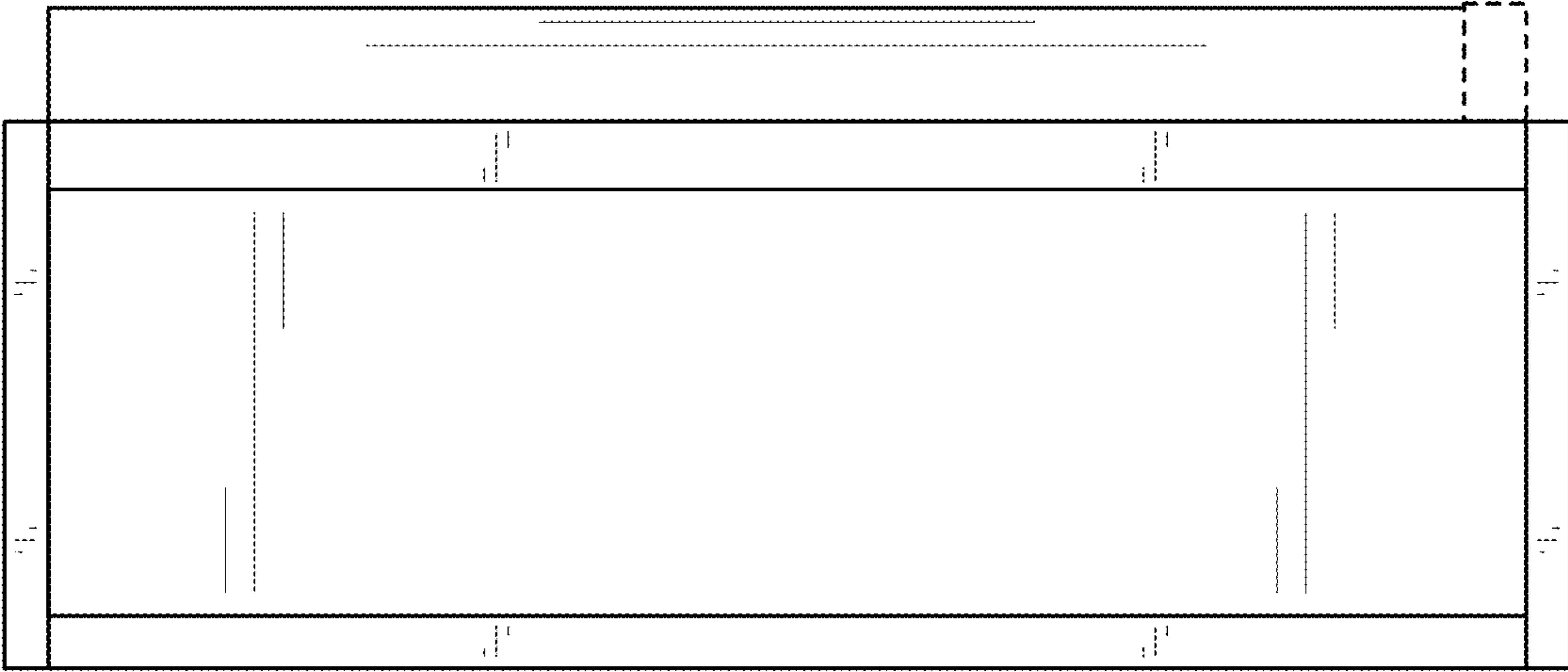


FIG. 3

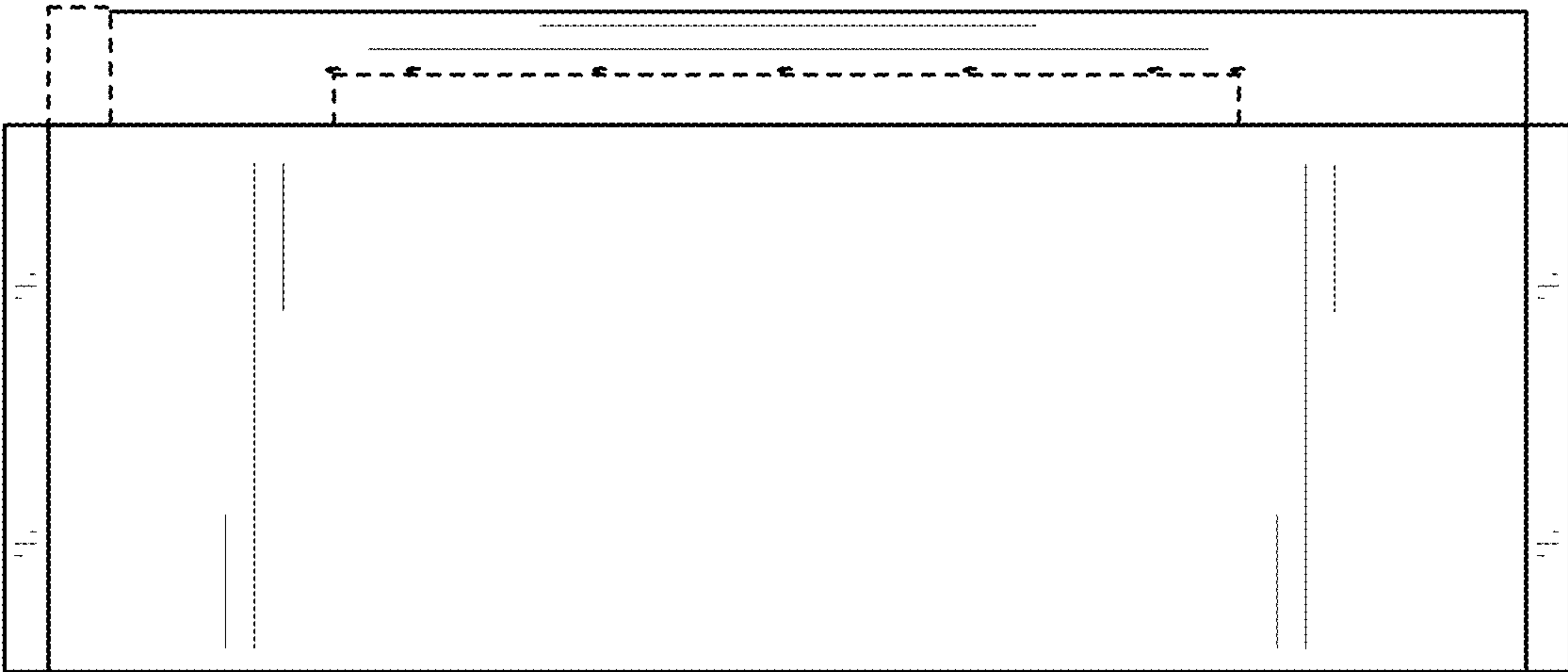


FIG. 4

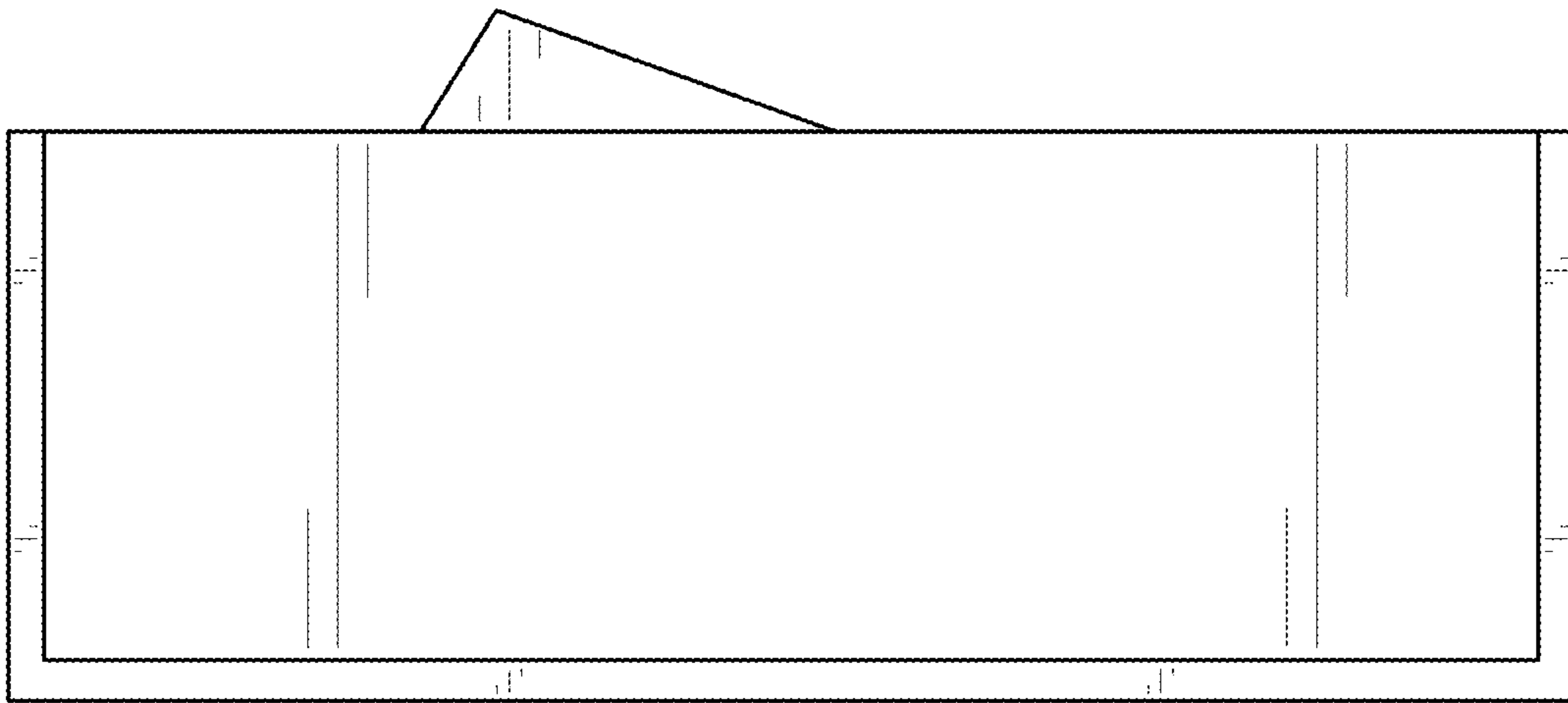


FIG. 5

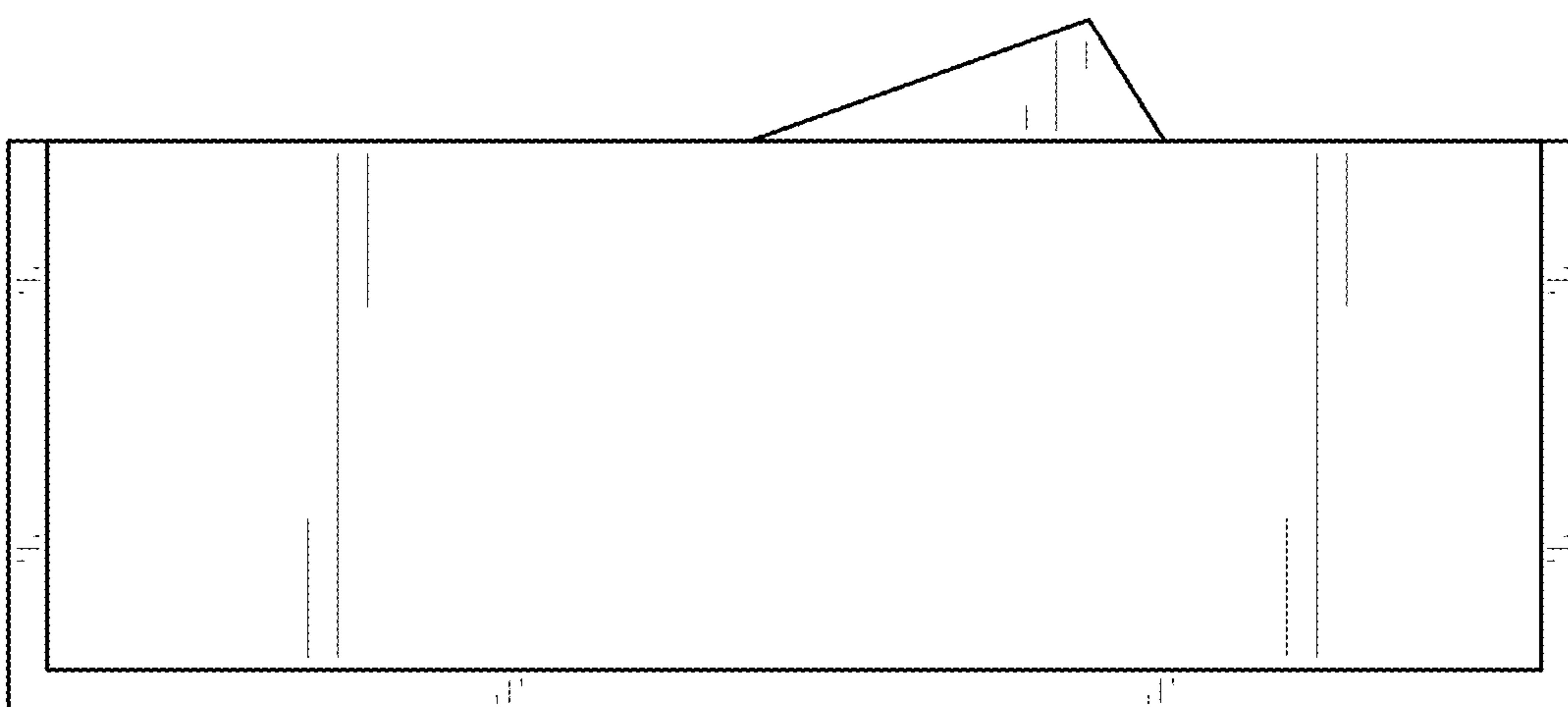


FIG. 6

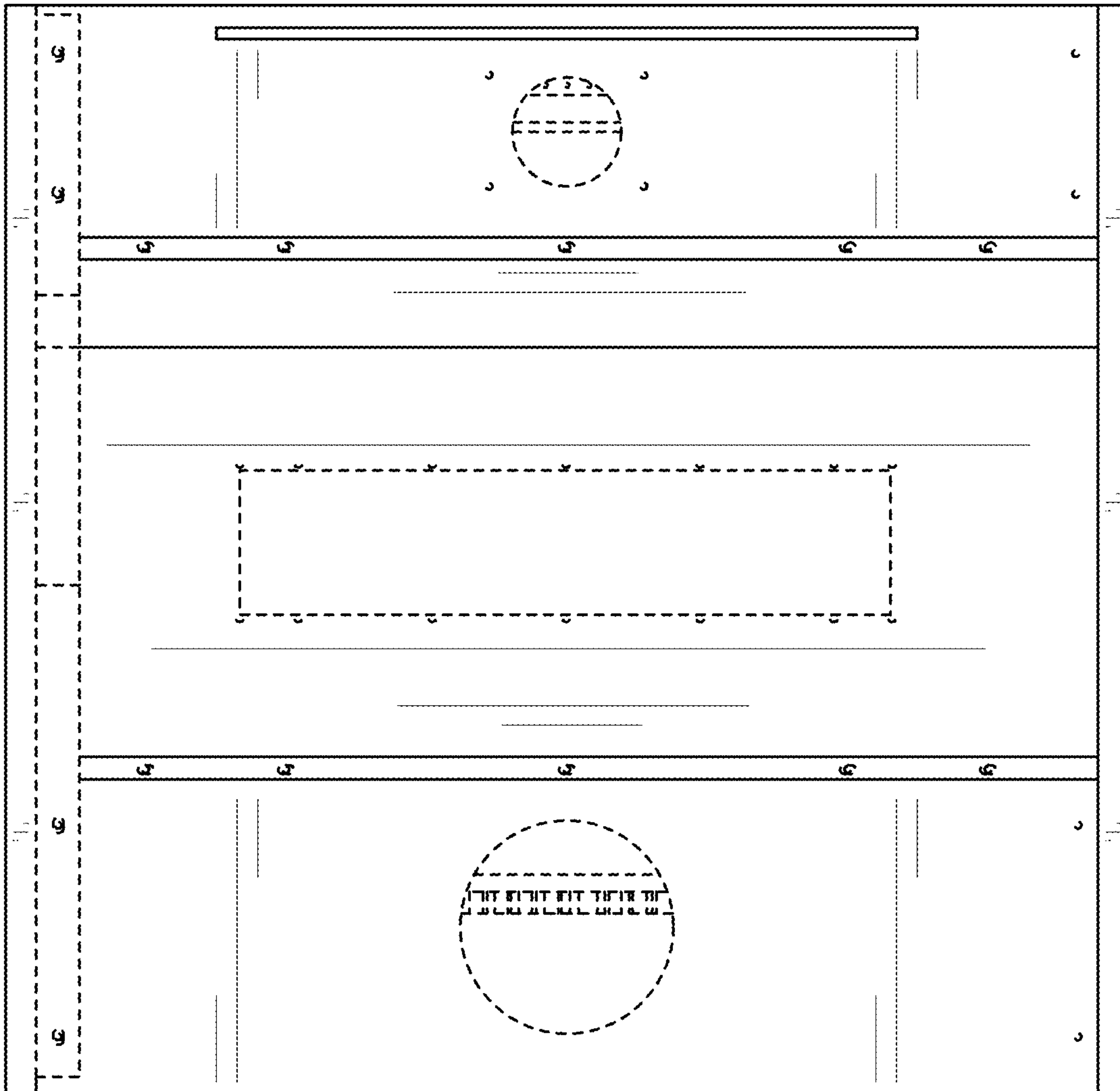


FIG. 7

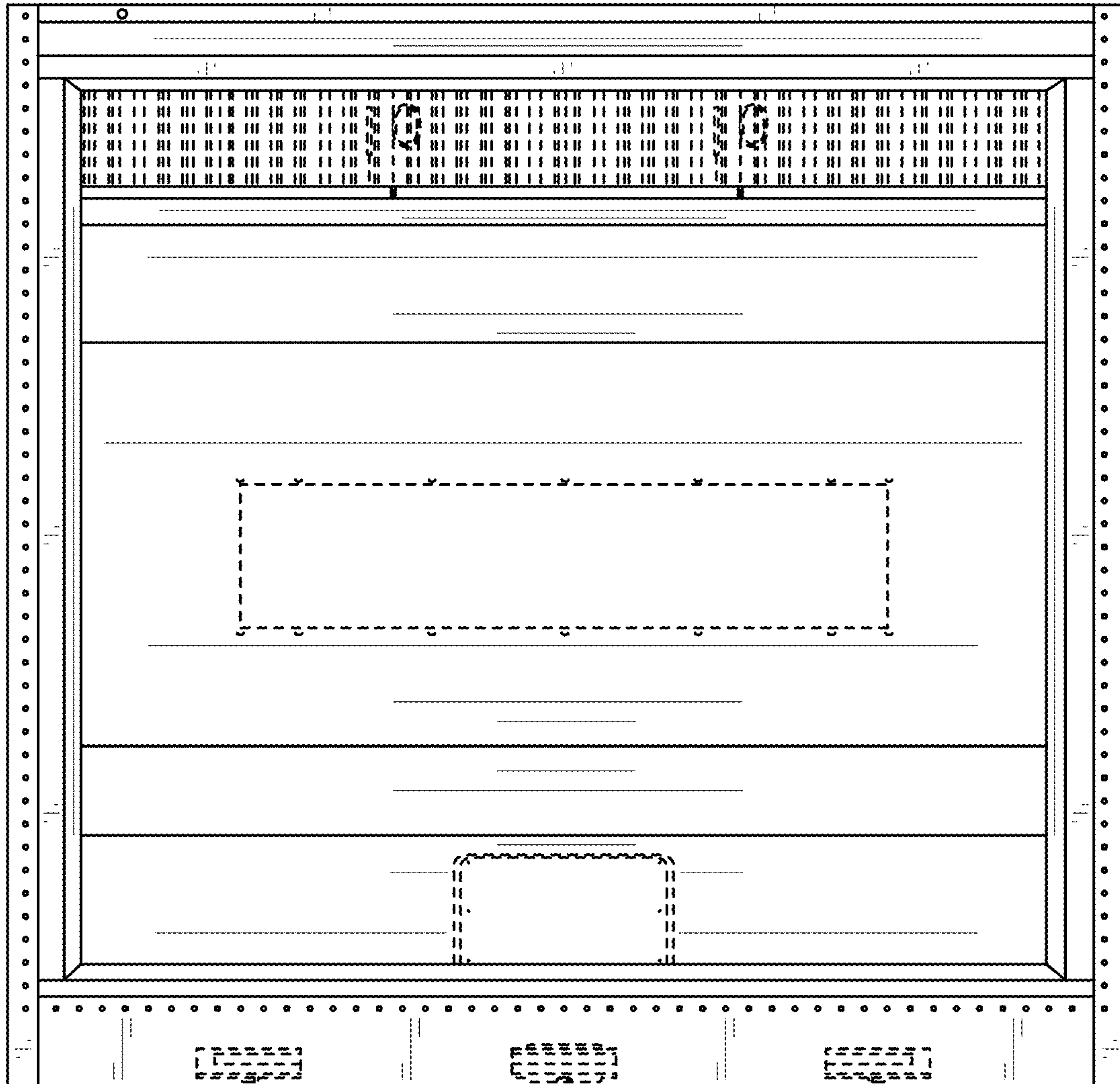


FIG. 8

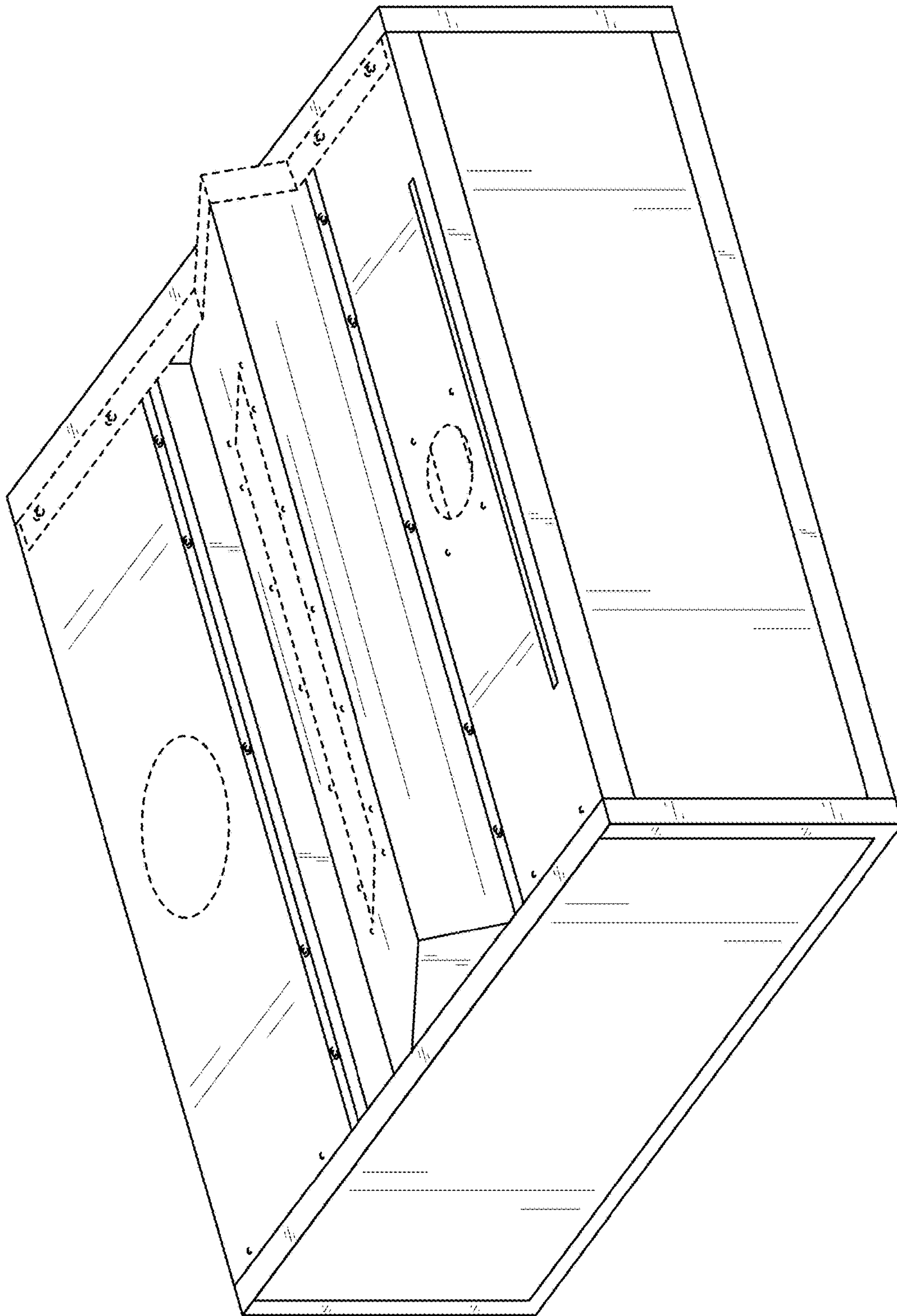


FIG. 9