



US00D814009S

(12) **United States Design Patent**
Puffer et al.

(10) **Patent No.:** **US D814,009 S**
(45) **Date of Patent:** **** Mar. 27, 2018**

(54) **VENT HOOD**

D109,887 S 5/1938 Fordyce
2,182,690 A 12/1939 Cole
D118,359 S 1/1940 Arenberg
(Continued)

(71) Applicant: **Broan-NuTone LLC**, Hartford, WI
(US)

(72) Inventors: **Benjamin Thorpe Puffer**, Hartford, WI
(US); **Jeremy Donald O'Halloran**,
Pittsburgh, PA (US)

FOREIGN PATENT DOCUMENTS

BE 648597 9/1994
CA 108550 1/2006
(Continued)

(73) Assignee: **Broan-NuTone, LLC**, Hartford, WI
(US)

OTHER PUBLICATIONS

(**) Term: **15 Years**

Nutone/Sterling Lighting Catalog NS103 .Copyrgt. 1980, p. 57,
Downlight #87, and p. 81, Recessed Square Light #XT-210.
(Continued)

(21) Appl. No.: **29/527,426**

(22) Filed: **May 19, 2015**

Primary Examiner — Cynthia Underwood

(51) **LOC (11) Cl.** **23-04**

(74) *Attorney, Agent, or Firm* — McDermott Will &
Emery LLP

(52) **U.S. Cl.**

USPC **D23/371**

(58) **Field of Classification Search**

USPC D23/370, 355, 314, 414, 371; 415/121.1
CPC F04D 29/329; F04D 29/526; F04D 25/082;
F04D 29/325; F04D 29/703; F04D
29/547

(57) **CLAIM**

The ornamental design for a vent hood, as shown and
described.

See application file for complete search history.

DESCRIPTION

FIG. 1 is a top perspective of a first embodiment of the
invention.

FIG. 2 is a bottom perspective of a first embodiment of the
invention.

FIG. 3 is a top view of a first embodiment of the invention.

FIG. 4 is a front view of a first embodiment of the invention.

FIG. 5 is a bottom view of a first embodiment of the
invention.

FIG. 6 is a back view of a first embodiment of the invention.

FIG. 7 is a left view of a first embodiment of the invention;
and,

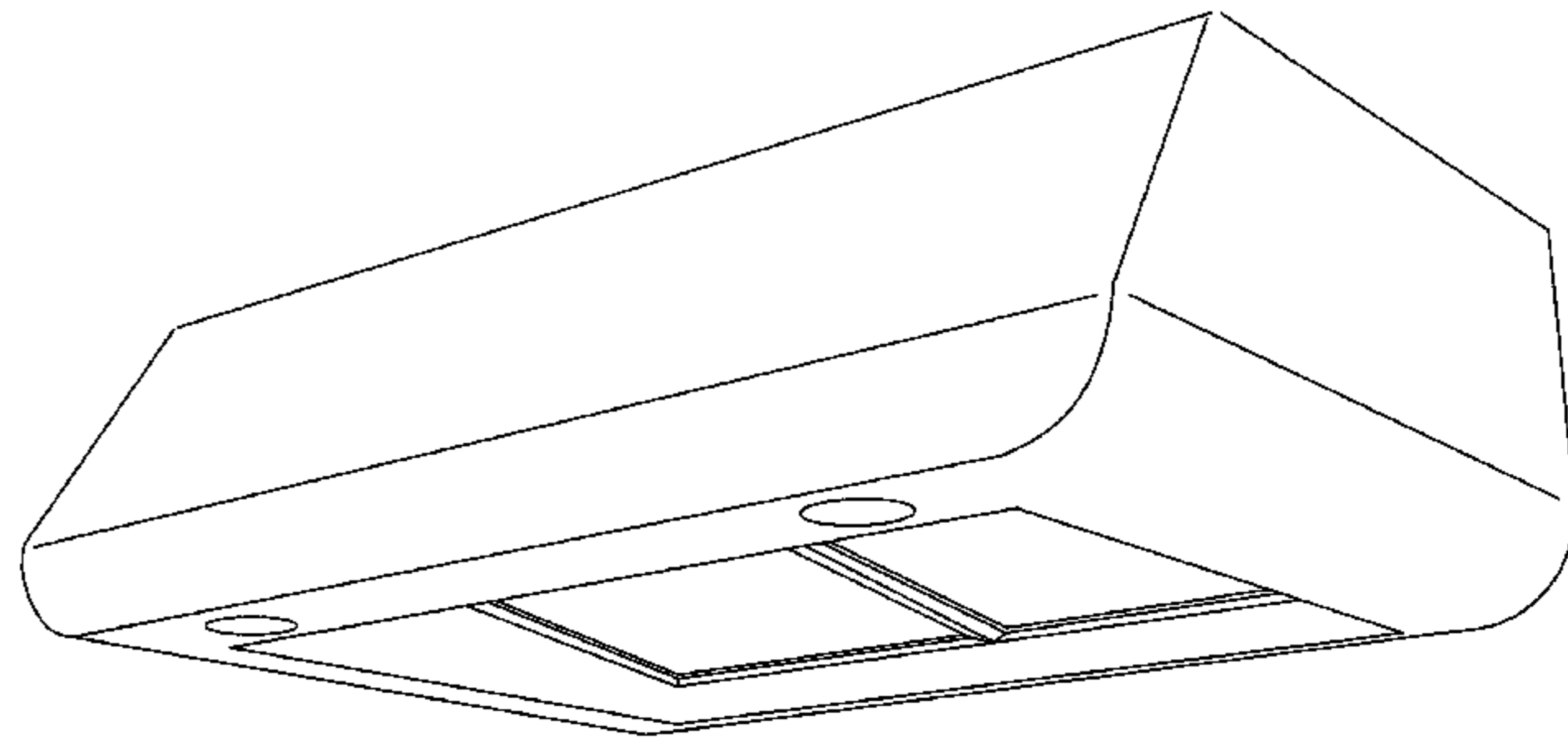
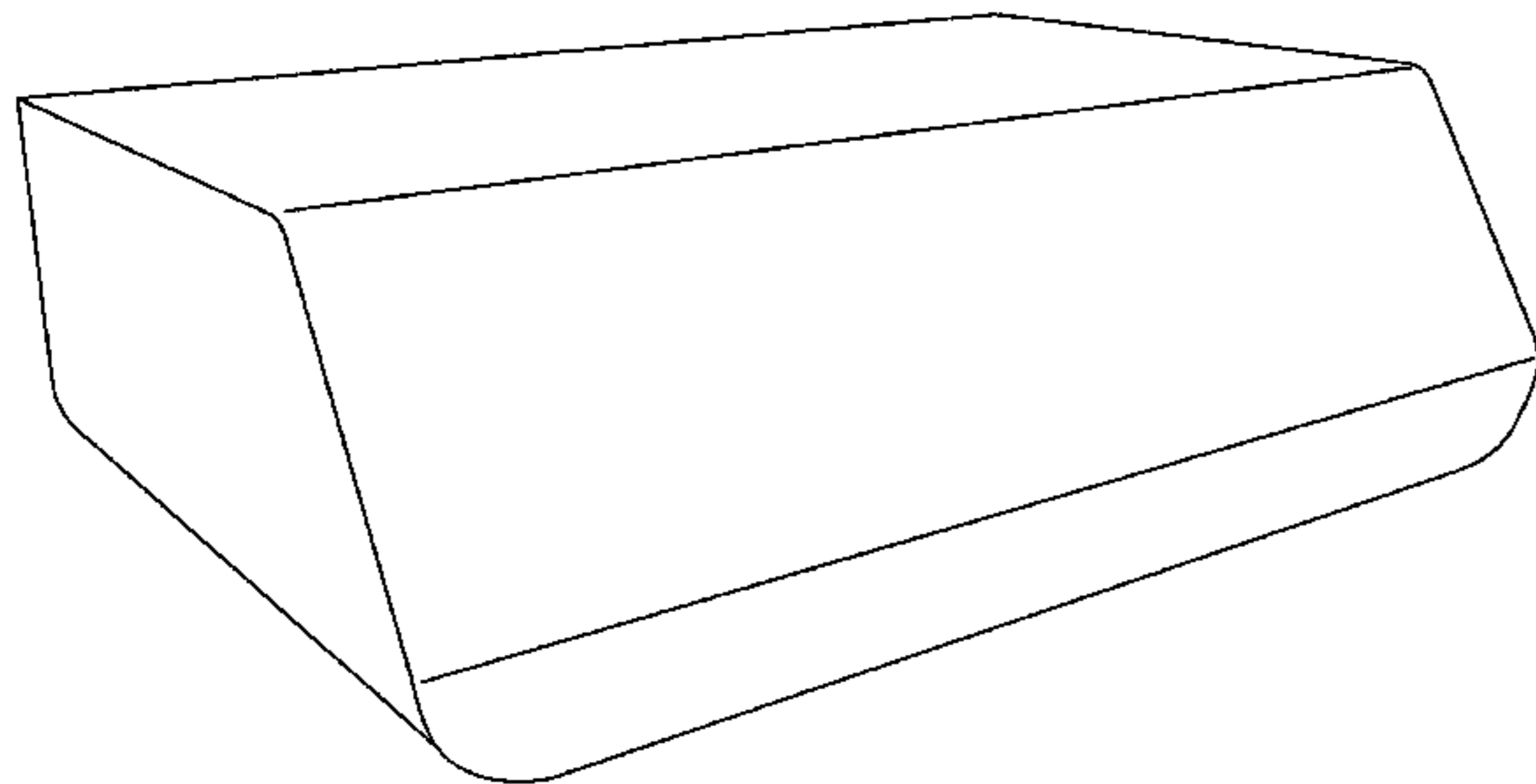
FIG. 8 is a right view of a first embodiment of the invention.

(56) **References Cited**

U.S. PATENT DOCUMENTS

1,030,028 A 6/1912 Stampaher et al.
1,395,833 A 11/1921 Kling et al.
1,522,635 A 4/1925 Osbun
1,713,101 A 5/1929 Starrett
1,886,841 A 11/1932 Searles
1,895,642 A 1/1933 Livingston
1,941,450 A 1/1934 Sylvan
2,019,867 A 11/1935 Nelson
2,021,086 A 11/1935 Oskamp
D107,399 S 12/1937 Broadwin
2,108,283 A 2/1938 Drew et al.

1 Claim, 8 Drawing Sheets



(56)

References Cited

U.S. PATENT DOCUMENTS

D120,266 S	4/1940	Kurth et al.	3,743,439 A	7/1973	Cann
D120,772 S	5/1940	Arenberg	D229,181 S	11/1973	Biedsoe
D120,773 S	5/1940	Arenberg	3,777,650 A	12/1973	Wenig
2,220,127 A	11/1940	Slayter	3,785,271 A	1/1974	Joy
2,222,081 A	11/1940	Leigh	3,788,207 A	1/1974	Doherty, II
D126,128 S	3/1941	Hallman	3,861,894 A	1/1975	Marsh
2,240,617 A	5/1941	Harrigan	3,875,678 A	4/1975	Vits
2,278,581 A	4/1942	Dexter	3,926,537 A	12/1975	Piper
D132,865 S	6/1942	Drollinger	3,952,638 A	4/1976	Felter et al.
2,325,657 A	8/1943	Burkness	D244,764 S	6/1977	Grubauer
D153,313 S	4/1949	Phillips	D244,854 S	6/1977	Salamone
2,472,748 A	6/1949	Labus	4,073,597 A	2/1978	Barnhart et al.
2,483,377 A	9/1949	Young	4,115,082 A	9/1978	Newell et al.
D157,014 S	1/1950	Walker	4,141,703 A	2/1979	Mulchi
2,576,860 A	11/1951	Shapiro	4,203,332 A	5/1980	Corsetti
D165,982 S	2/1952	Kennedy	D256,047 S	7/1980	Wormington
D166,324 S	4/1952	Kurth	D257,060 S	9/1980	Mann
D171,505 S	2/1954	Kruger	D258,083 S	1/1981	Gammell
2,668,491 A	2/1954	Gerlitz	4,252,547 A	2/1981	Johnson
2,673,514 A	3/1954	Hanks	D261,803 S	11/1981	Bohanon, Jr.
D173,120 S	9/1954	Levenhagen	D262,457 S	12/1981	Swales
2,689,906 A	9/1954	Corbett	4,319,898 A	3/1982	Maierhofer
2,697,163 A	12/1954	Spear	4,335,647 A	6/1982	Timmons
2,710,573 A	6/1955	Marker	4,336,749 A	6/1982	Barnhart et al.
2,780,981 A	2/1957	Miller	D267,828 S	2/1983	Cohen
2,790,375 A	4/1957	Broberg	D268,952 S	5/1983	Anderson
2,799,213 A	7/1957	Hansen	4,382,440 A	5/1983	Kapp et al.
2,800,069 A	7/1957	Smith	4,385,550 A	5/1983	Steiner et al.
D180,727 S	8/1957	Bourner	4,385,911 A	5/1983	Popeil et al.
2,811,094 A	10/1957	Auer	4,406,216 A	9/1983	Hott et al.
2,824,429 A	2/1958	Zucker	D271,984 S	12/1983	Nelson et al.
2,831,550 A	4/1958	Bub	D275,988 S	10/1984	Walker
D183,117 S	7/1958	Coleman et al.	D276,282 S	11/1984	Burg
2,875,678 A	3/1959	Shepherd	D277,298 S	1/1985	Nelson
2,911,900 A	11/1959	Emil	1,277,299 A	1/1985	Nelson
2,939,377 A	6/1960	Stach	4,510,351 A	4/1985	Samosky et al.
2,963,956 A	12/1960	Hill	D282,275 S	1/1986	Price
2,987,258 A	6/1961	North	D282,972 S	3/1986	Castor et al.
2,993,428 A *	7/1961	Wermager	4,594,940 A	6/1986	Wolbrink et al.
			4,610,705 A	9/1986	Samosky et al.
			D286,446 S	10/1986	Caroli et al.
			4,628,802 A	12/1986	Steiner et al.
			D287,888 S	1/1987	Caroli et al.
			D288,007 S	1/1987	Jonas et al.
			D288,396 S	2/1987	Ritman
2,996,972 A	8/1961	Ake	4,681,024 A	7/1987	Ivey
3,001,056 A	9/1961	Spear	4,722,266 A	2/1988	Deckert
3,002,676 A	10/1961	Papsdorf	D295,675 S	5/1988	Demarest
D192,312 S	2/1962	Hart	4,754,697 A	7/1988	Asselbergs
3,028,475 A	4/1962	Nash	4,776,798 A	10/1988	Crawford
3,045,579 A	7/1962	Jenn et al.	D300,777 S	4/1989	Bales et al.
D193,868 S	10/1962	Bloomfield et al.	D300,847 S	4/1989	Lin
3,064,548 A	11/1962	Field	4,862,334 A	8/1989	Ivey et al.
3,068,341 A	12/1962	Ortiz et al.	D303,436 S	9/1989	Clyde-Mason
3,075,335 A	1/1963	Bandlow et al.	4,867,640 A	9/1989	Penlesky et al.
3,097,267 A	7/1963	Knoll et al.	4,991,496 A	2/1991	Kuno et al.
3,101,662 A	8/1963	Alldritt	D315,790 S	3/1991	Koessler
D196,618 S	10/1963	Hammes	D322,667 S	12/1991	Fukuda et al.
D199,045 S	9/1964	Everts	D323,209 S	1/1992	Fukumoto et al.
3,211,080 A	10/1965	Rader	D323,554 S	1/1992	Hoyt
3,212,425 A	10/1965	Hazen et al.	D325,434 S	4/1992	Dosmann
3,215,828 A	11/1965	Bonvallet et al.	D325,651 S	4/1992	Sonneman
3,249,037 A	5/1966	Stalker	D327,541 S *	6/1992	Chen D23/372
3,250,063 A	5/1966	Andrews	D328,650 S	8/1992	Jones
3,276,597 A	10/1966	Mesek et al.	D330,585 S	10/1992	Saito et al.
3,326,112 A	6/1967	Sadlow et al.	D331,458 S	12/1992	Saito et al.
3,332,334 A	7/1967	Melzer	D331,638 S	12/1992	Vamberszky et al.
3,347,025 A	10/1967	Wiley	1,334,053 A	3/1993	Cook
3,391,689 A	7/1968	Roger	5,197,920 A	3/1993	Ganse
3,438,180 A	4/1969	Klouda	D334,977 S	4/1993	Avari
3,460,322 A	8/1969	Rivers et al.	D336,895 S	6/1993	Rogov
3,572,234 A	3/1971	Schoenthaler	D338,954 S	8/1993	Brock
3,577,710 A	5/1971	Feldman	D340,109 S	10/1993	Julien
3,606,593 A	9/1971	Steiner	D341,442 S	11/1993	Shapiro
3,630,007 A	12/1971	Neumann	5,319,942 A	6/1994	Paustian
3,636,306 A	1/1972	Bumpus	D349,778 S	8/1994	Johnson et al.
3,665,838 A	5/1972	Shepherd	D350,191 S	8/1994	Tsuji
3,692,977 A	9/1972	Duhamel et al.	5,333,830 A	8/1994	Millen
3,698,333 A	10/1972	Cann et al.	D350,409 S	9/1994	Johnson et al.
3,732,030 A	5/1973	Mullings			

(56)

References Cited

U.S. PATENT DOCUMENTS

D352,564 S	11/1994	Marischen	D452,906 S	1/2002	Peng
D357,732 S	4/1995	Spechts	D453,375 S	2/2002	Peng
1,361,375 A	8/1995	Gallagher et al.	D453,564 S	2/2002	Schrank
D362,059 S	9/1995	Wojcik	D454,391 S	3/2002	Schrank
D366,521 S	1/1996	Wijaranakula	D457,232 S	5/2002	Miura
D366,522 S	1/1996	Lagace et al.	D457,616 S	5/2002	Yamanaka et al.
D367,924 S	3/1996	Patel	D461,235 S	8/2002	Arlotta et al.
D372,767 S	8/1996	Borges	D461,995 S	8/2002	Massaloux et al.
D372,775 S	8/1996	Schuler	D464,418 S	10/2002	Goncalves et al.
D374,927 S	10/1996	Chabot	D464,718 S	10/2002	Wilson
D375,350 S	11/1996	Patel et al.	D465,021 S *	10/2002	Liou D23/372
D376,214 S	12/1996	Pinchuk	6,464,579 B1	10/2002	Salazar
D376,639 S	12/1996	Moore	D465,565 S	11/2002	Twito
D376,842 S	12/1996	Franklin et al.	6,488,579 B2	12/2002	Larson et al.
D377,535 S	1/1997	Shulman	D469,172 S	1/2003	Warren et al.
5,601,485 A	2/1997	Gigola	6,503,060 B1	1/2003	Kamada
D378,698 S	4/1997	Ukai et al.	D470,233 S	2/2003	Sarkinen et al.
5,632,334 A	5/1997	Grinbergs et al.	D470,482 S	2/2003	Ikeda
D382,549 S	8/1997	Yoshimoto	6,537,146 B1	3/2003	Haynes
D386,186 S	11/1997	Schnetzler et al.	D474,299 S	5/2003	Lecluze
D386,209 S	11/1997	Firestone et al.	D475,131 S	5/2003	Pilger
D387,859 S	12/1997	Ukai et al.	D476,073 S	6/2003	Bourgeois
D388,353 S	12/1997	Desborough et al.	D480,712 S	10/2003	Noro
D393,708 S	4/1998	Assadi	D480,791 S	10/2003	Phillips
D395,494 S	6/1998	Becker	D481,822 S	11/2003	Wang
D396,275 S	7/1998	Pearson	D482,350 S	11/2003	Noro et al.
D398,417 S	9/1998	Fritzsche	D482,778 S	11/2003	Shapiro
5,820,247 A	10/1998	Schuler	6,651,454 B1	11/2003	Spiegel
D401,682 S	11/1998	Galeazzi et al.	6,653,566 B2	11/2003	Petak et al.
D403,442 S	12/1998	Joss	6,723,428 B1	4/2004	Foss et al.
D403,787 S	1/1999	Van Belle	D490,147 S	5/2004	Miura
D404,508 S	1/1999	Marischen	D490,509 S	5/2004	Negrao et al.
D405,207 S	2/1999	Mora	6,750,760 B2	6/2004	Albritton et al.
D407,473 S	3/1999	Winbock	D493,447 S	7/2004	Noro et al.
D407,521 S	3/1999	Crosby	D493,516 S	7/2004	Harbutt et al.
5,879,232 A	3/1999	Luter, II et al.	D493,907 S	8/2004	Benensohn
D409,449 S	5/1999	Cornelissen	D496,487 S	9/2004	Rhee
5,918,972 A	7/1999	Van Belle	D496,992 S	10/2004	Lafond
D412,566 S	8/1999	Taras et al.	D499,505 S	12/2004	Benensohn
D414,253 S	9/1999	Kobayashi et al.	D502,097 S *	2/2005	Holthaus D9/430
5,971,847 A	10/1999	Webb	D503,689 S	4/2005	Saucier
D416,315 S	11/1999	Nanjo	6,889,948 B2	5/2005	Melancon et al.
D416,349 S	11/1999	Pahl	D509,733 S *	9/2005	Jongens D9/420
D417,307 S	11/1999	Pahl	D510,151 S	9/2005	Rashidi
D418,909 S	1/2000	Mockett	D510,432 S	10/2005	Bargiel
D420,121 S	2/2000	Felix-Flender	D510,996 S	10/2005	Vladika
6,027,406 A	2/2000	Yazici	D511,379 S	11/2005	Penlesky et al.
D424,672 S	5/2000	Nanjo	D512,503 S	12/2005	Roland
D425,974 S	5/2000	Esty et al.	D513,072 S	12/2005	Berg
D426,292 S	6/2000	Nanjo	6,979,169 B2	12/2005	Penlesky et al.
D426,657 S	6/2000	Joss	D514,221 S	1/2006	Vladika
D427,009 S	6/2000	Iyengar et al.	D514,732 S	2/2006	Benensohn
D427,303 S	6/2000	Brown	D521,145 S	5/2006	Craw et al.
D428,645 S	7/2000	Rossmann et al.	D530,808 S	10/2006	Sinur et al.
D431,075 S	9/2000	Barraclough	D531,301 S	10/2006	Sinur et al.
D433,116 S	10/2000	Han et al.	D532,095 S	11/2006	Calkins
D434,126 S	11/2000	Caronna et al.	D532,247 S	11/2006	Copeland
D435,124 S	12/2000	Yuen	D533,956 S	12/2006	Vladika
D435,705 S	12/2000	Powers et al.	D534,301 S	12/2006	Roland
D436,926 S	1/2001	Lew	D535,431 S	1/2007	Roland
D437,077 S	1/2001	Minissi et al.	D535,433 S	1/2007	Craw et al.
D437,405 S	2/2001	Schrank	D535,434 S	1/2007	Fischer et al.
D438,328 S	2/2001	Pan	D536,773 S	2/2007	O'Hagin
D438,948 S	3/2001	Schrank	D537,511 S	2/2007	Nagahori
6,227,962 B1	5/2001	Orendorff	D538,422 S	3/2007	Hooijmaaijers
D443,924 S	6/2001	Renella	D539,404 S	3/2007	Nagahori
6,261,175 B1	7/2001	Larson et al.	D539,887 S	4/2007	Kato et al.
D446,850 S	8/2001	Arlotta et al.	D539,888 S	4/2007	Tsuji
D448,462 S	9/2001	Nanjo	D541,405 S	4/2007	Snyder
D449,680 S	10/2001	Arlotta et al.	7,203,416 B2	4/2007	Craw et al.
D450,829 S *	11/2001	Bothe D23/372	D541,689 S	5/2007	Meyers et al.
D451,187 S	11/2001	Webb	D541,927 S	5/2007	Yamanaka et al.
D451,587 S *	12/2001	Goulet D23/372	D543,270 S	5/2007	Miura et al.
D452,904 S	1/2002	Peng	D544,613 S	6/2007	Coushaine
D452,905 S	1/2002	Peng	D545,487 S	6/2007	Bynum
			D547,853 S	7/2007	Pilon et al.
			D550,043 S	7/2007	Brattoli
			D550,344 S	9/2007	Weggelaar
			D550,660 S	9/2007	Noro et al.

(56)

References Cited

U.S. PATENT DOCUMENTS

D551,750 S	9/2007	Wefler	D638,925 S	5/2011	Charlebois et al.
D553,235 S	10/2007	Herbst et al.	D642,667 S	8/2011	Irwin
D553,727 S	10/2007	Kato et al.	D646,417 S	10/2011	Wauters
D553,905 S	10/2007	Orr, Jr.	D648,135 S	11/2011	Lee
D555,777 S	11/2007	Aveldson	D648,471 S	11/2011	Wauters
D561,887 S	2/2008	Friedman et al.	D653,323 S	1/2012	Jacak
7,328,478 B2	2/2008	Jenkins	D654,998 S	2/2012	Zakula et al.
D563,539 S	3/2008	Sinur et al.	D655,403 S	3/2012	Zakula et al.
D565,716 S	4/2008	Jacak	D655,804 S	3/2012	Platt
D565,717 S	4/2008	Jacak et al.	D655,850 S	3/2012	Sabernig
D565,722 S	4/2008	Hollingsworth et al.	D655,855 S	3/2012	Sabernig
D566,257 S	4/2008	Deng	D656,264 S	3/2012	Janssen
D566,262 S	4/2008	Zakula et al.	D657,036 S	4/2012	Vetu et al.
D566,912 S	4/2008	Reick-Mitrisin et al.	D657,858 S	4/2012	Platt
D567,352 S	4/2008	Hollingsworth et al.	D658,603 S	5/2012	Egawa et al.
D567,353 S	4/2008	Hollingsworth et al.	D658,604 S	5/2012	Egawa et al.
D567,354 S	4/2008	Jacak et al.	D662,648 S	6/2012	Whiting et al.
D567,355 S	4/2008	Zakula et al.	D663,880 S	7/2012	Janssen
D567,434 S	4/2008	Itiravivong	D663,881 S	7/2012	Janssen
D567,435 S	4/2008	Kim et al.	D664,369 S	7/2012	Duma
D567,692 S	4/2008	Meyers et al.	D665,225 S	8/2012	Zakula et al.
D567,931 S	4/2008	Hollingsworth et al.	8,256,241 B2	9/2012	Ikeda et al.
D567,932 S	4/2008	Hollingsworth et al.	D672,079 S	12/2012	Kong
D567,933 S	4/2008	Hollingsworth et al.	D677,775 S *	3/2013	Funnell, II D23/371
D568,460 S	5/2008	Jacak et al.	D678,010 S	3/2013	Sudmalis
D569,492 S	5/2008	Zakula et al.	D678,497 S	3/2013	Tom
D570,465 S	6/2008	Miyake et al.	D678,995 S	3/2013	Hoshino et al.
D571,453 S	6/2008	Hsu et al.	D679,046 S	3/2013	Hoshino et al.
D574,478 S	8/2008	Miyake et al.	D681,794 S	5/2013	Lin et al.
D575,386 S	8/2008	Jacak et al.	D682,455 S	5/2013	Apetauer et al.
D575,387 S	8/2008	Zakula et al.	D685,947 S	7/2013	Pyle
D575,389 S	8/2008	Lazzara	D690,869 S	10/2013	Katz et al.
D577,431 S	9/2008	Miyake et al.	D699,831 S *	2/2014	Funnell, II D23/371
D577,805 S	9/2008	Adrian et al.	D701,952 S	4/2014	Hoshino et al.
D578,811 S	10/2008	Gervasi	D702,827 S	4/2014	Mase et al.
D581,508 S	11/2008	Miyake et al.	D704,318 S	5/2014	Martel
D581,516 S	11/2008	Koury et al.	D705,409 S	5/2014	Hagiwara
D581,517 S	11/2008	Koury et al.	D705,417 S	5/2014	Lin et al.
D584,393 S	1/2009	Miyake et al.	D706,404 S	6/2014	Tsuji
D584,394 S	1/2009	Miyake et al.	D706,916 S	6/2014	Penlesky et al.
D585,129 S	1/2009	Huang	D709,170 S	7/2014	Tsuji
D587,797 S	3/2009	Blanchard	D709,606 S *	7/2014	Sinur D23/372
D588,257 S	3/2009	Reedy	D710,000 S	7/2014	Moreno
D588,688 S	3/2009	Lablaine	D713,952 S	9/2014	Jepson
D589,605 S	3/2009	Reedy et al.	8,864,447 B1	10/2014	Humphrey
7,537,647 B2	5/2009	Adair et al.	D716,772 S	11/2014	Cavero et al.
D595,402 S	6/2009	Miyake et al.	D717,933 S	11/2014	McClelland et al.
D595,830 S	7/2009	Deng	D718,086 S	11/2014	Lewis et al.
D601,281 S	9/2009	Howard et al.	D718,434 S	11/2014	Diamond
7,581,717 B1	9/2009	Thurkill	D718,762 S	12/2014	Aarrestad et al.
D602,146 S	10/2009	Olesen	D720,442 S	12/2014	Kosuge
D602,193 S	10/2009	Soderman et al.	D725,624 S	3/2015	Carney et al.
7,596,960 B2	10/2009	Bae	D728,772 S	5/2015	Santeler et al.
D604,834 S	11/2009	Ungar	D730,510 S	5/2015	Schanzenbach
D606,696 S	12/2009	Chen et al.	9,022,846 B1	5/2015	Tom
D607,600 S	1/2010	Keith	9,028,212 B1	5/2015	Tom
D609,321 S	2/2010	Tomasulo	D732,156 S	6/2015	Penlesky et al.
D609,803 S	2/2010	Ungar	D733,861 S	7/2015	Haaf et al.
D609,840 S	2/2010	Tang	D733,863 S	7/2015	Funnell, II et al.
D617,441 S	6/2010	Koury et al.	D737,137 S *	8/2015	Exner D9/432
D617,889 S	6/2010	Miyake	9,103,104 B1	8/2015	Tom
D618,330 S *	6/2010	Wolfe D23/372	D738,482 S	9/2015	Lin et al.
D618,782 S	6/2010	Zakula et al.	D738,538 S	9/2015	Lillejord
D621,491 S	8/2010	Tsuji	D739,928 S	9/2015	Raisanen
D622,033 S	8/2010	Lambetz	D739,977 S	9/2015	Boyer et al.
D628,737 S	12/2010	Van Den Akker	9,131,314 B2	9/2015	Nakamura
D629,561 S	12/2010	Kim et al.	D741,463 S	10/2015	Hauville et al.
7,850,513 B1	12/2010	Parker et al.	D741,648 S	10/2015	Wahl
D631,144 S	1/2011	Tsuji	D742,494 S	11/2015	Kouketsu et al.
D631,188 S	1/2011	Lovegrove	D743,520 S *	11/2015	Sinur D23/372
D632,380 S	2/2011	Kim et al.	9,182,138 B2	11/2015	Foreman et al.
D635,238 S	3/2011	Zakula et al.	9,188,132 B1	11/2015	Tom
D636,482 S	4/2011	LeMay	D744,628 S	12/2015	Alexander
D636,611 S	4/2011	Duma	D745,131 S *	12/2015	Sinur D23/372
D638,253 S *	5/2011	Tomczyk D7/323	D745,652 S	12/2015	Berkman et al.
			D746,424 S	12/2015	Takahashi et al.
			D746,427 S	12/2015	Mecker
			9,212,668 B2	12/2015	Deng et al.
			D747,141 S	1/2016	Wahl

(56)

References Cited

U.S. PATENT DOCUMENTS

D747,314 S *	1/2016	Sandusky	D23/371
D747,576 S	1/2016	Fjellman	
D751,189 S	3/2016	Suzuki et al.	
D751,247 S	3/2016	Reynolds	
D752,201 S	3/2016	Herbst	
D753,869 S	4/2016	Prijic	
D754,319 S	4/2016	Park et al.	
9,303,859 B2	4/2016	Hornig et al.	
9,303,888 B2	4/2016	Karst et al.	
D755,942 S	5/2016	Kim	
D758,559 S *	6/2016	Sinur	D23/372
D759,800 S	6/2016	Adrian et al.	
D771,231 S	11/2016	Chen et al.	
D778,424 S	2/2017	Jonas et al.	
D778,425 S	2/2017	Jonas et al.	
D779,050 S	2/2017	Jonas et al.	
D784,511 S	4/2017	Jonas et al.	
D784,512 S	4/2017	Jonas et al.	
2003/0220069 A1	11/2003	Orendorff	
2005/0095979 A1	5/2005	Moreno	
2005/0111840 A1	5/2005	Craw et al.	
2007/0167128 A1	7/2007	Popowitz	
2009/0130970 A1	5/2009	Jacak et al.	
2009/0170421 A1	7/2009	Adrian et al.	
2009/0280737 A1	11/2009	Jacak et al.	
2011/0036340 A1 *	2/2011	Chu	F24C 15/20 126/299 D
2012/0087132 A1	4/2012	Zakula et al.	
2013/0038355 A1	4/2013	Ye et al.	
2013/0087133 A1 *	4/2013	Davis	F24C 15/20 126/299 D
2014/0063796 A1	3/2014	Zakula et al.	
2015/0117034 A1	4/2015	Hornig et al.	
2015/0125292 A1	5/2015	Karst et al.	
2015/0140923 A1	5/2015	Penlesky	
2015/0219118 A1	8/2015	Zakula et al.	
2016/0029109 A1	1/2016	Liu et al.	
2016/0069561 A1	3/2016	Jonas et al.	

FOREIGN PATENT DOCUMENTS

CA	108557	1/2006
CA	2636643	12/2012
CA	163015	5/2016
CA	163016	5/2016
CA	163017	5/2016
CA	163018	5/2016
CN	303580220	2/2016
CN	303580221	2/2016
CN	303580222	2/2016
CN	303580223	2/2016
CN	303580224	2/2016
EP	1248048	10/2002
FR	1234767	10/1960

OTHER PUBLICATIONS

Thomas Lighting Catalog .Copyrgt. 1980, p. 145, Ceiling Lamp #R213, and p. 149, Fan-Light Unit #T342.

Thomas Industries Starlight Lighting Catalog. Copyrgt 1982, p. 61, Combined Fan-Light Heater T-305.

Emerson Environmental Products, Whole House Fan and Shutter System Owners Manual, Dec. 1982. cited by other.

Photographs of Panasonic Ventilating Fan, Model FV-11.VHL1, available prior to Jan. 2, 2008, 3 pages.

Spartan Electric Company, Direct Drive Whole House Fans Publication, available prior to Jan. 2, 2008.

“Direct Drive Whole House Fans Publication”, Spartan Electric Company, Fayetteville, N.C., (Feb. 4, 2008), 4 pgs.

“Whole House Fan and Shutter System Owners Manual”, Emerson Environmental Products, Model No. WH20WS, Bennettsville, S. C., (Feb. 4, 2008), 12 pgs.

““Whirlpool 30” and 36” Range Hood Models UXT3030AY/ UXT3036AY”, installation Instructions and Use & Care Guide, [online] Retrieved from the Internet<http://www.whirlpool.ca/digitalassets/UXT3030AYB/Use%20and%20Care_EN.pdf>, (2011), 28 pgs.

““Maytag 30 in. Non-Vented Range Hood in Stainless Steel””, Model# UXT4030AYS, Home Depot, [online] [retrieved on Sep. 23, 2013]. Retrieved from the Internet: <http://www.homedepot.com/p/Maytag-30-in-Non-Vented-Range-Hood-in-Stainless-Steel-UXT-4030AYS/202832999#customer_reviews>, (Jul. 9, 2011), 5 pgs.”.

“Finnleo Steam Sauna Ventilation Wood grill”, [Online]. Retrieved from the Internet: <<https://www.tineye.com/search/8ff8db465e46f58bcad482160583c-b539dc23fa4/>>, (Jun. 6, 2012).

“U.S. Appl. No. 11/968,250, Non Final Office Action dated Sep. 20, 2012”, 21 pgs.

“U.S. Appl. No. 11/968,250, Response filed Dec. 20, 2012 to Non Final Office Action dated Sep. 20, 2012”, 26 pgs.

“U.S. Appl. No. 11/968,250, Final Office Action dated Mar. 26, 2013”, 20 pgs.

“U.S. Appl. No. 11/968,250, Response filed May 24, 2013 to Final Office Action dated Mar. 26, 2013”, 34 pgs.

“U.S. Appl. No. 11/968,250, Advisory Action dated Jun. 24, 2013”, 3 pgs.

“U.S. Appl. No. 11/968,250, Non Final Office Action dated Aug. 22, 2013”, 18 pgs. cited by applicant.

“U.S. Appl. No. 29/458,592, Non Final Office Action dated Sep. 27, 2013”, 7 pgs.

“U.S. Appl. No. 11/968,250, Response filed Nov. 8, 2013 to Non Final Office Action dated Aug. 22, 2013”, 23 pgs. cited by applicant.

Grille Images, image post date Nov. 23, 2013, site visited May 14, 2016, (online), <<https://www.tineye.com/search/ea95b48bdc1f5b6d68e4f3e33c-0e4e7566460/>>. cited by examiner.

“U.S. Appl. No. 29/458,592, Response filed Dec. 27, 2013 to Non Final Office Action dated Sep. 27, 2013”, 8 pgs.

“U.S. Appl. No. 11/968,250, Final Office Action dated Jan. 22, 2014”, 18 pgs.

“U.S. Appl. No. 29/458,592, Notice of Allowance dated Mar. 4, 2014”, 6 pgs.

Napoleon Prestige Pro 450--Natural Gas, image post date Apr. 5, 2014, site visited May 15, 2016, (online), <<http://web.archive.org/web/20140405111728/http://www.bbqworld.co.uk/napoleon/napoleon-prestige-pro-450-natural-gas.asp>>. cited by examiner.

“Ultra Green series”, [Online]. Retrieved from the Internet: <<http://web.archive.org/web/20140416053348/http://www.broan.com/products/filter/ultra-406c-abf1-ed72241eb706>>, (Apr. 16, 2014).

“Airvent 435103 Kitchen Extractor Fan”, [Online]. Retrieved from the Internet: <<https://www.amazon.co.uk/Airvent-435103-Kitchen-Extractor-1-50mm/dp/B0085TQ75U/ref=pd.sub.--cp.sub.--107.sub.--3?ie=UTF8&refRID=1XMRP1-Q1QR5H6NZ1MR7C>>, (May 14, 2014).

“U.S. Appl. No. 11/968,250, Response filed May 22, 2014 to Final Office Action dated Jan. 22, 2014”, 12 pgs.

“U.S. Appl. No. 11/968,250, Non Final Office Action dated Jun. 19, 2014”, 18 pgs. cited by applicant.

“U.S. Appl. No. 11/968,250, Response filed Sep. 19, 2014 to Non Final Office Action dated Jun. 19, 2014”, 11 pgs. cited by applicant.

Air Vent Grille Cover, image post date Nov. 9, 2014, site visited May 14, 2016, (online), <<https://www.tineye.com/search/232b8f674998285163e7a3de47a03ed0ef9b1dc-6/>>.

GDL Air Distribution Grilles, image post date Nov. 23, 2014, site visited May 14, 2016, (online), <<https://www.tineye.com/search/d0efdc23f3887a1bdc58adaa3fef15c33f2b486-b/>>. cited by examiner.

“U.S. Appl. No. 11/968,250, Final Office Action dated Nov. 26, 2014”, 20 pgs.

“Manrose FF100P Bathroom Fan”, [Online]. Retrieved from the Internet: <<https://www.tineye.com/search/63988ff8b950dad9cb1aacc5119050bdd00cf2-1/?pluginver=>>>, (Dec. 12, 2014). cited by applicant.

“U.S. Appl. No. 29/458,589, Restriction Requirement dated Apr. 9, 2015”, 7 pgs.

(56)

References Cited

OTHER PUBLICATIONS

“U.S. Appl. No. 29/458,589, Response filed Apr. 27, 2015 to Restriction Requirement dated Apr. 9, 2015”, 4 pgs.
 “Canadian Application Serial No. 163,017, Office Action dated Nov. 9, 2015”, 3 pgs.
 “Canadian Application Serial No. 163,018, Office Action dated Nov. 9, 2015”, 2 pgs.
 “Canadian Application Serial No. 163,019, Office Action dated Nov. 9, 2015”, 2 pgs.
 “Canadian Application Serial No. 163,015, Office Action dated Nov. 10, 2015”, 5 pgs.
 “Canadian Application Serial No. 163,016, Office Action dated Nov. 10, 2015”, 3 pgs.
 “U.S. Appl. No. 29/521,663, Restriction Requirement dated Dec. 3, 2015”, 6 pgs.
 “U.S. Appl. No. 29/521,663, Response filed Feb. 2, 2016 to Restriction Requirement dated Dec. 3, 2015”, 3 pgs.
 U.S. Appl. No. 29/521,663, Notice of Allowance dated Feb. 12, 2016, 7 pgs.
 “Canadian Application Serial No. 165,307, Office Action dated Feb. 15, 2016” W/ English Translation, 2 pgs.
 “Canadian Application Serial No. 165,355, Office Action dated Feb. 15, 2016”, 2 pgs.
 “Canadian Application Serial No. 165,366, Office Action dated Feb. 15, 2016”, with English Translation, 2 pgs.
 “Canadian Application Serial No. 163,017, Response filed Mar. 9, 2016 to Office Action dated Nov. 9, 2015”, 8 pgs.
 “Canadian Application Serial No. 163,018, Response filed Mar. 9, 2016 to Office Action dated Nov. 9, 2015”, 7 pgs.
 “Canadian Application Serial No. 163,019, Response filed Mar. 9, 2016 to Office Action dated Nov. 9, 2015”, 7 pgs. cited by applicant.
 “Canadian Application Serial No. 163,015, Response filed Mar. 10, 2016 to Office Action dated Nov. 10, 2015”, 7 pgs.
 “U.S. Appl. No. 29/521,663, Corrected Notice of Allowance dated Mar. 30, 2016”, 4 pgs.
 “U.S. Appl. No. 29/514,061, Non Final Office Action dated May 19, 2016”, 19 pgs.
 “U.S. Appl. No. 29/514,063, Non Final Office Action dated May 19, 2016”, 22 pgs.
 “U.S. Appl. No. 29/514,067, Non Final Office Action dated May 20, 2016”, 21 pgs.
 “U.S. Appl. No. 29/514,073, Non Final Office Action dated May 20, 2016”, 21 pgs.
 “U.S. Appl. No. 29/514,070, Non Final Office Action dated May 27, 2016”, 26 pgs.
 “Chinese Application Serial No. 201630055109.5, Office Action dated Jun. 1, 2016”, 1 pg.
 “Canadian Application Serial No. 165,307, Response filed Jun. 15, 2016 to Office Action dated Feb. 15, 2016”, 9 pgs.
 “Canadian Application Serial No. 165,355, Response filed Jun. 15, 2016 to Office Action dated Feb. 15, 2016”, 6 pgs.
 “Canadian Application Serial No. 165,366, Response filed Jun. 15, 2016 to Office Action dated Feb. 15, 2016”, 18 pgs.
 “Canadian Application Serial No. 167,117, Office Action dated Jul. 14, 2016”, 3 pgs.
 “U.S. Appl. No. 29/514,061, Response filed Aug. 17, 2016 to Non Final Office Action dated May 19, 2016”, 6 pgs.
 “U.S. Appl. No. 29/514,063, Response filed Aug. 17, 2016 to Non Final Office Action dated May 19, 2016”, 8 pgs.

“U.S. Appl. No. 29/514,067, Response filed Aug. 22, 2016 to Non Final Office Action dated May 20, 2016”, 6 pgs.
 “U.S. Appl. No. 29/514,073, Response filed Aug. 22, 2016 to Non Final Office Action dated May 20, 2016”, 6 pgs.
 “U.S. Appl. No. 29/514,970, Response filed Aug. 29, 2016 to Non Final Office Action dated May 27, 2016”, 6 pgs.
 “U.S. Appl. No. 29/538,019, Restriction Requirement dated Sep. 1, 2016”, 7 pgs.
 “Chinese Application Serial No. 201630055109.5, Response filed Sep. 18, 2016 to Office Action dated Jun. 1, 2016”, 5 pgs.
 “U.S. Appl. No. 29/514,061, Final Office Action dated Sep. 19, 2016”, 9 pgs.
 “U.S. Appl. No. 29/514,073, Notice of Allowance dated Sep. 19, 2016”, 8 pgs.
 “U.S. Appl. No. 29/514,067, Notice of Allowance dated Sep. 20, 2016”, 9 pgs.
 “U.S. Appl. No. 29/514,070, Notice of Allowance dated Sep. 21, 2016”, 6 pgs.
 “Canadian Application Serial No. 165,355, Response filed Sep. 22, 2016 to Office Action dated Jun. 28, 2016”, 2 pgs.
 “U.S. Appl. No. 29/514,070, Corrected Notice of Allowance dated Oct. 5, 2016”, 2 pgs.
 “U.S. Appl. No. 29/514,073, Corrected Notice of Allowance dated Oct. 5, 2016”, 2 pgs.
 “U.S. Appl. No. 29/538,019, Examiner Interview Summary dated Oct. 11, 2016”, 7 pgs.
 “U.S. Appl. No. 29/514,063, Response filed Oct. 24, 2016 to Non-Final Office Action dated May 19, 2016”, 8 pgs.
 “Canadian Application Serial No. 169,274, Office Action dated Oct. 25, 2016”, 2 pgs.
 “Canadian Application Serial No. 169,275, Office Action dated Oct. 25, 2016”, 2 pgs.
 “U.S. Appl. No. 29/538,019, Response filed Nov. 1, 2016 to Restriction Requirement dated Sep. 1, 2016”, 4 pgs.
 “Canadian Application Serial No. 167,117, Response filed Nov. 3, 2016 to Office Action dated Jul. 14, 2016”, 10 pgs.
 “U.S. Appl. No. 29/514,061, Response filed Nov. 21, 2016 Final Office Action dated Sep. 19, 2016”, 16 pgs.
 “U.S. Appl. No. 29/538,019, Notice of Allowance dated Nov. 23, 2016”, 9 pgs.
 “U.S. Appl. No. 29/539,396, Notice of Allowance dated Feb. 27, 2017”, 9 pgs.
 “U.S. Appl. No. 29/539,401, Notice of Allowance dated Feb. 27, 2017”, 8 pgs.
 “U.S. Appl. No. 29/539,391, Notice of Allowance dated Mar. 1, 2017”, 8 pgs.
 “U.S. Appl. No. 29/539,405, Notice of Allowance dated Mar. 1, 2017”, 9 pgs.
 “U.S. Appl. No. 29/539,409, Notice of Allowance dated Mar. 2, 2017”, 8 pgs.
 “U.S. Appl. No. 29/539,392, Notice of Allowance dated Mar. 3, 2017”, 8 pgs.
 “U.S. Appl. No. 29/539,415, Notice of Allowance dated Mar. 9, 2017”, 8 pgs.
 “U.S. Appl. No. 29/539,414, Notice of Allowance dated Mar. 13, 2017”, 8 pgs.
 “Broan QTX110SL Media Gallery, Broan QTX110SL Combintation Fan, Light, Night-Light, 110 CFM, 0.9 Sones, Humidity Sensing, ventingdirect.com, p. 1.”.

* cited by examiner

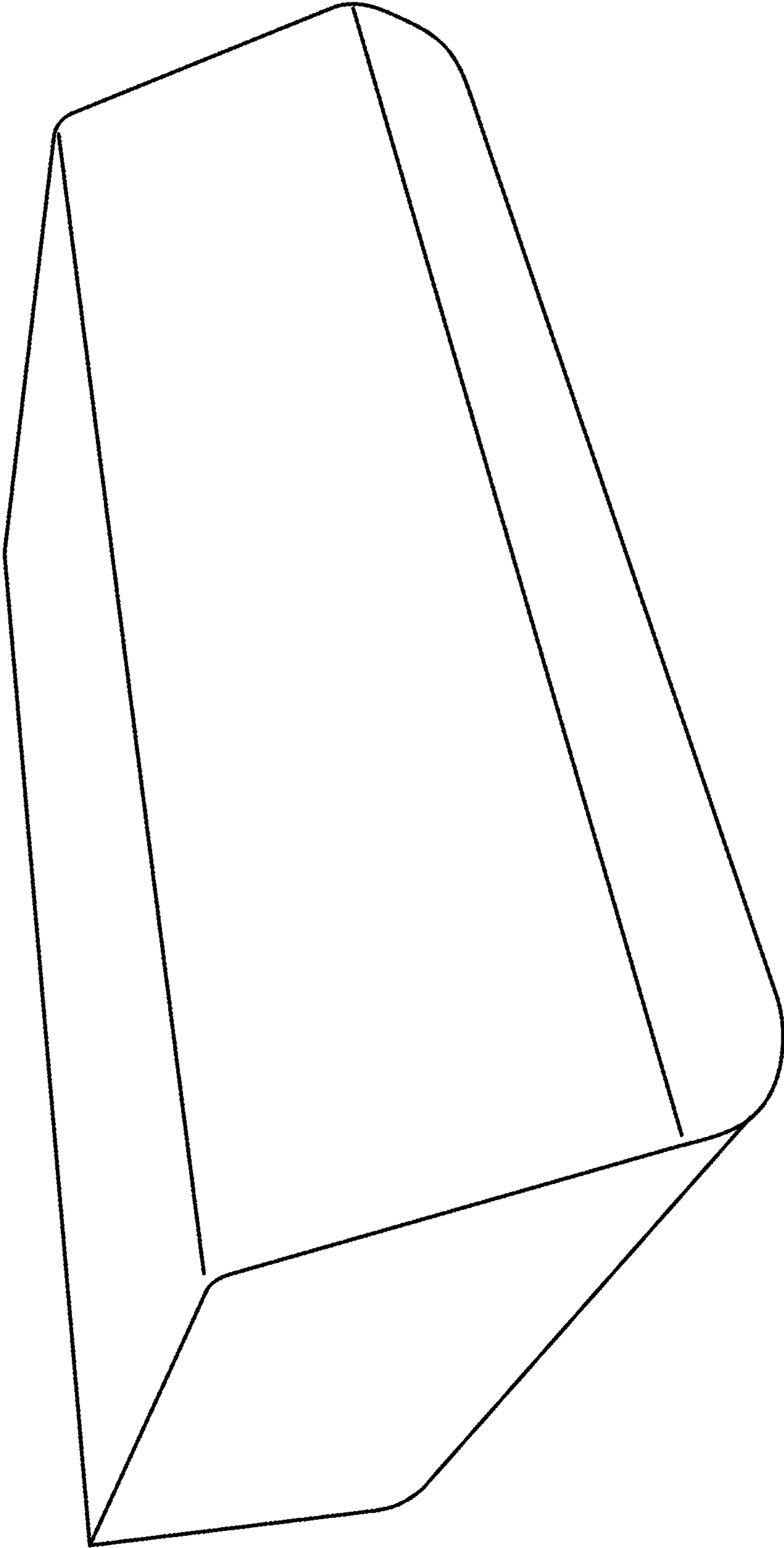


Figure 1

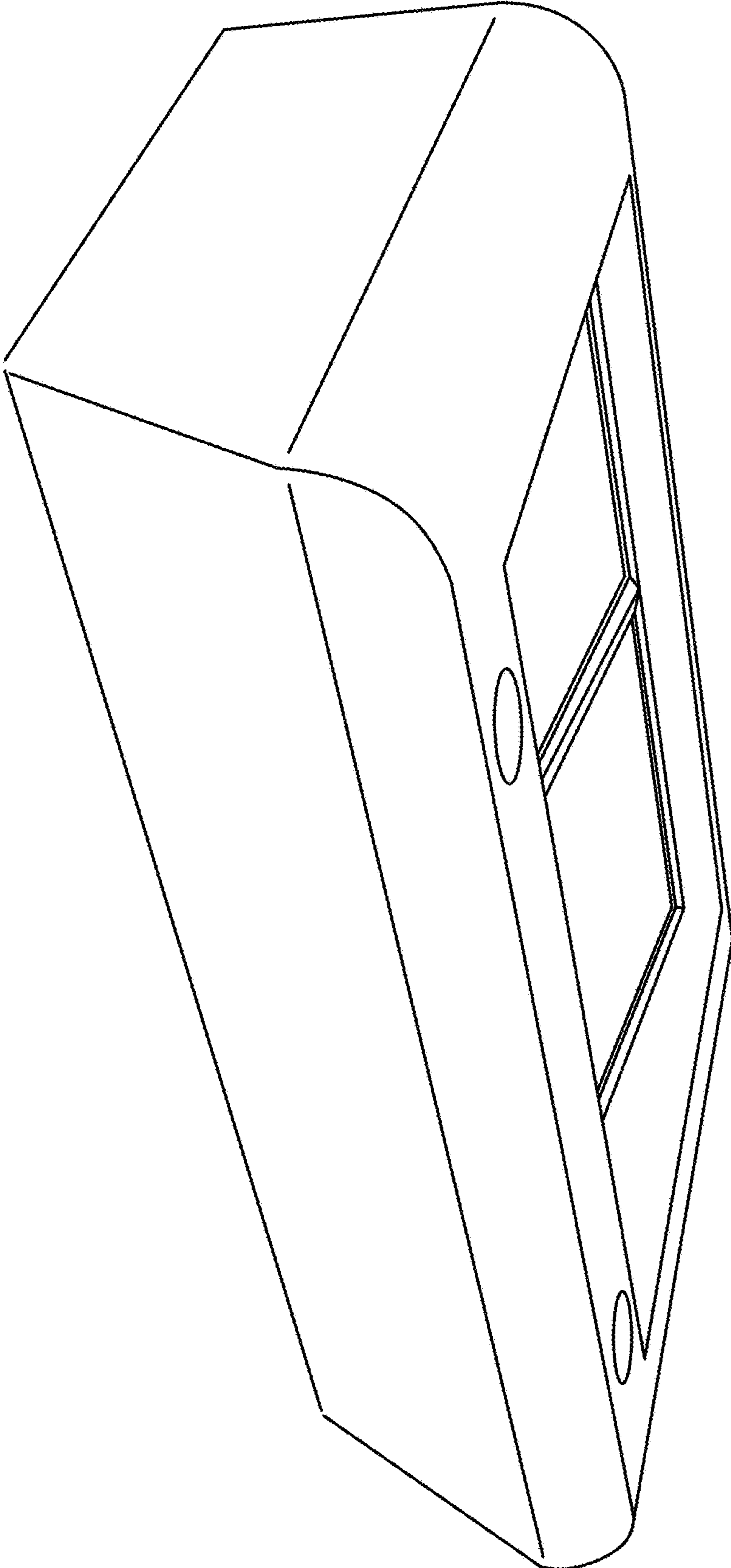


Figure 2

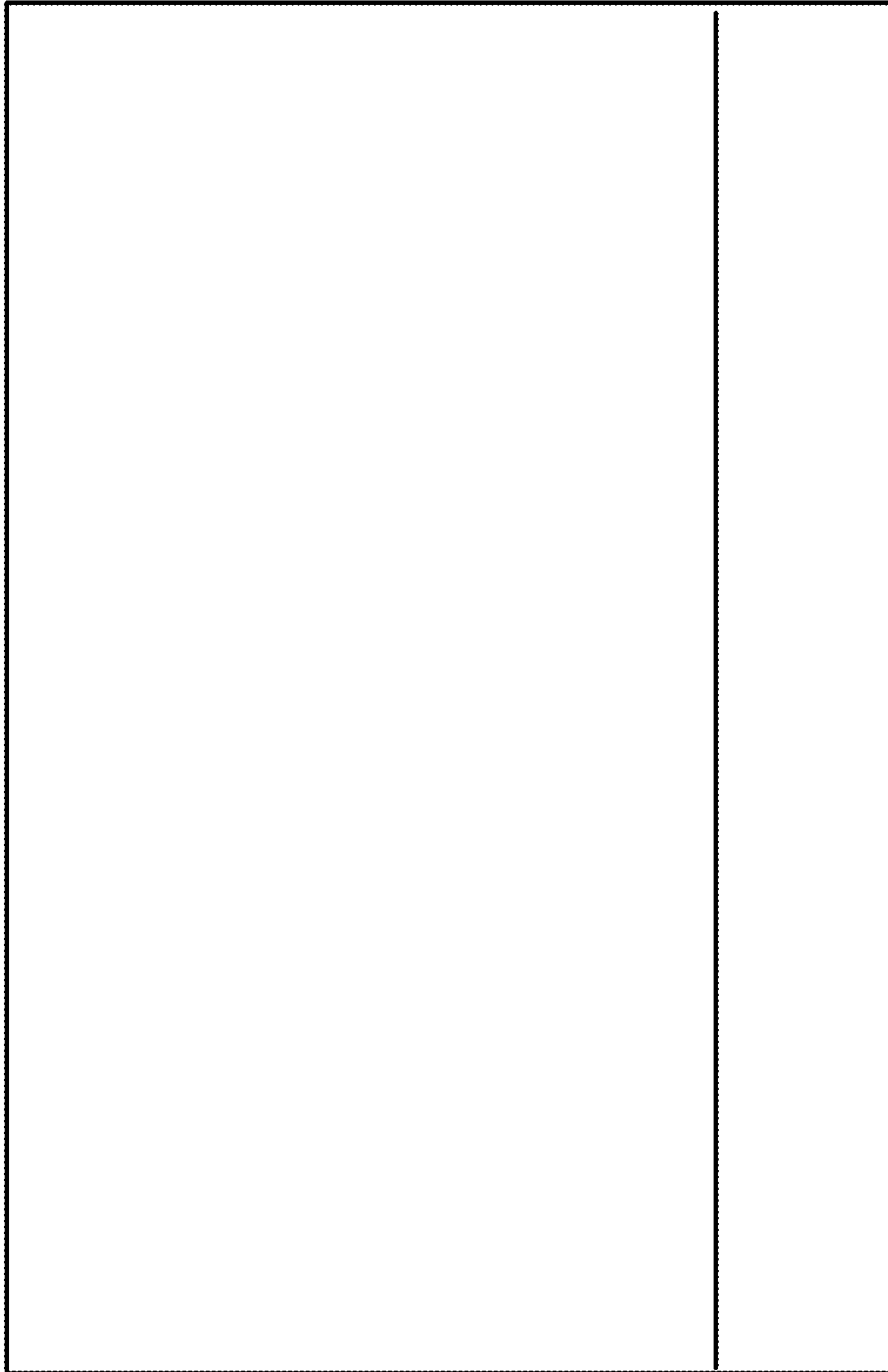


Figure 3

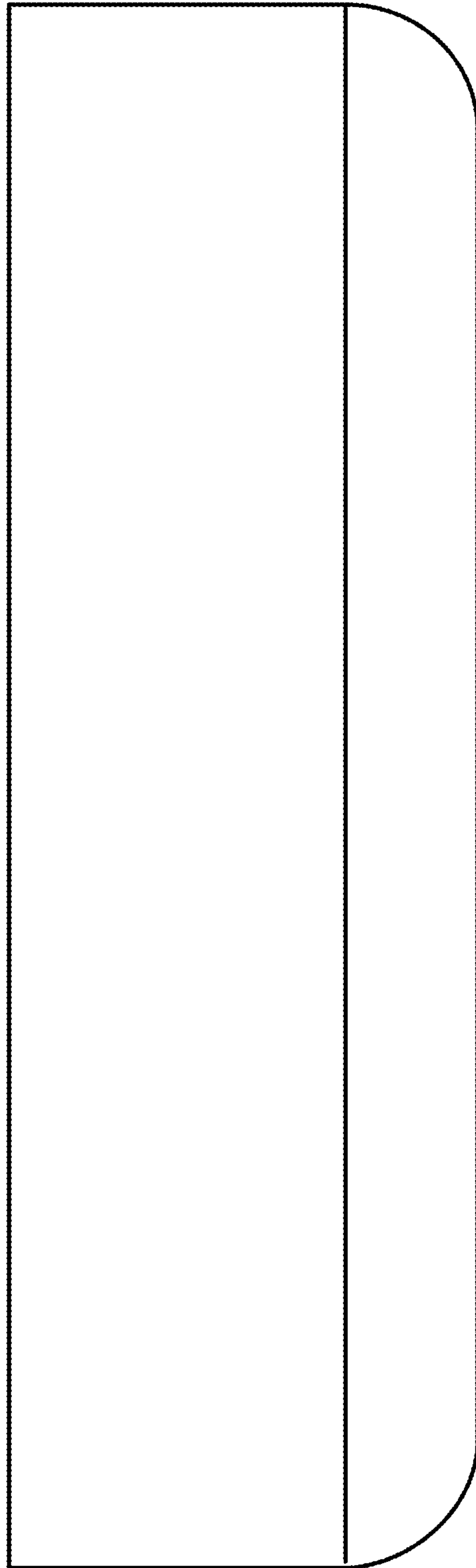


Figure 4

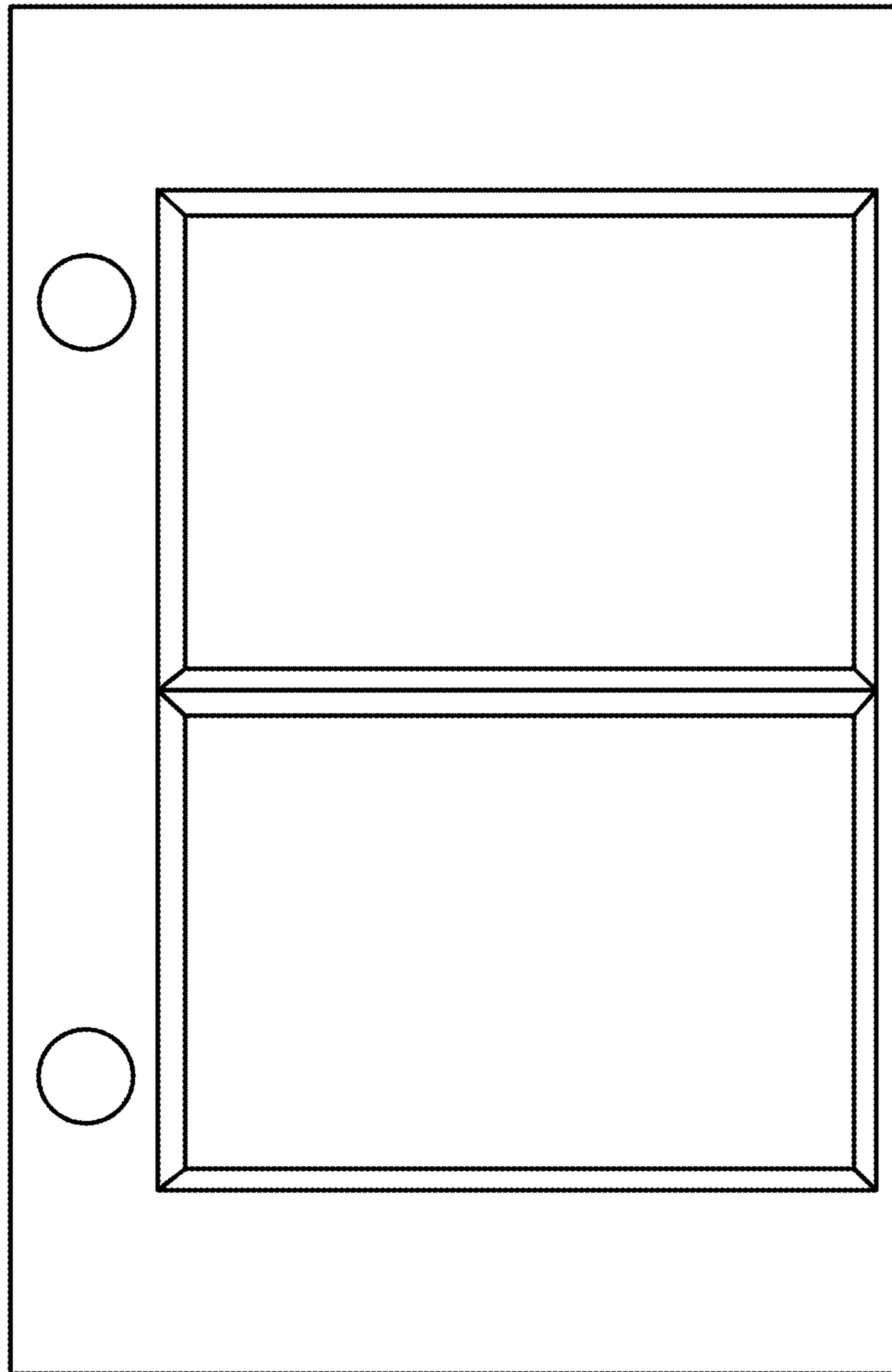


Figure 5

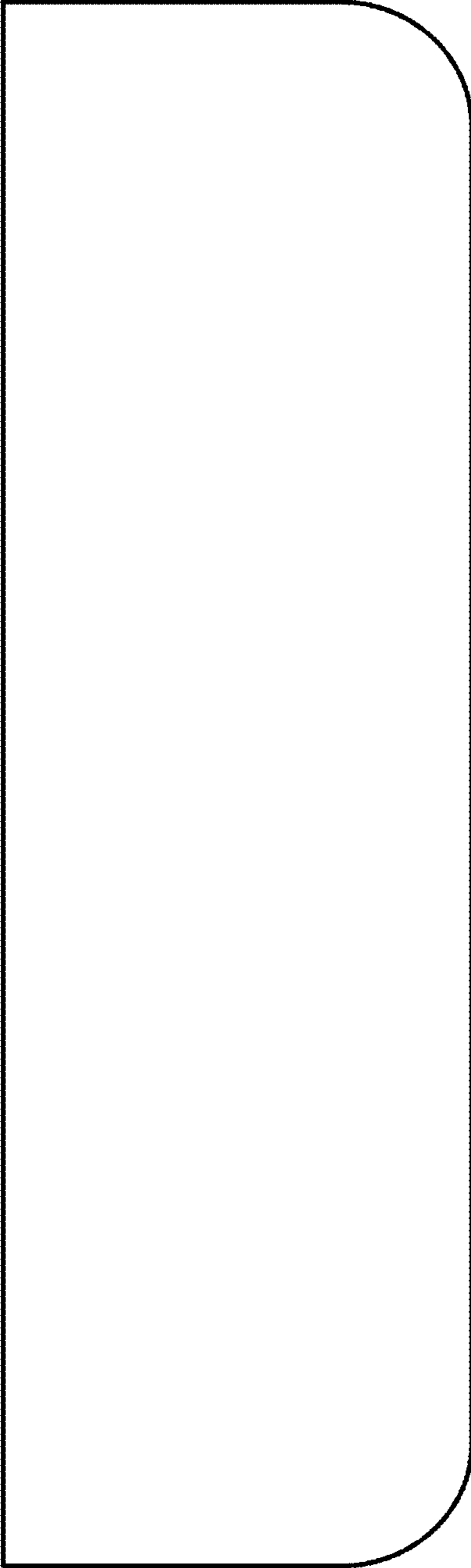


Figure 6

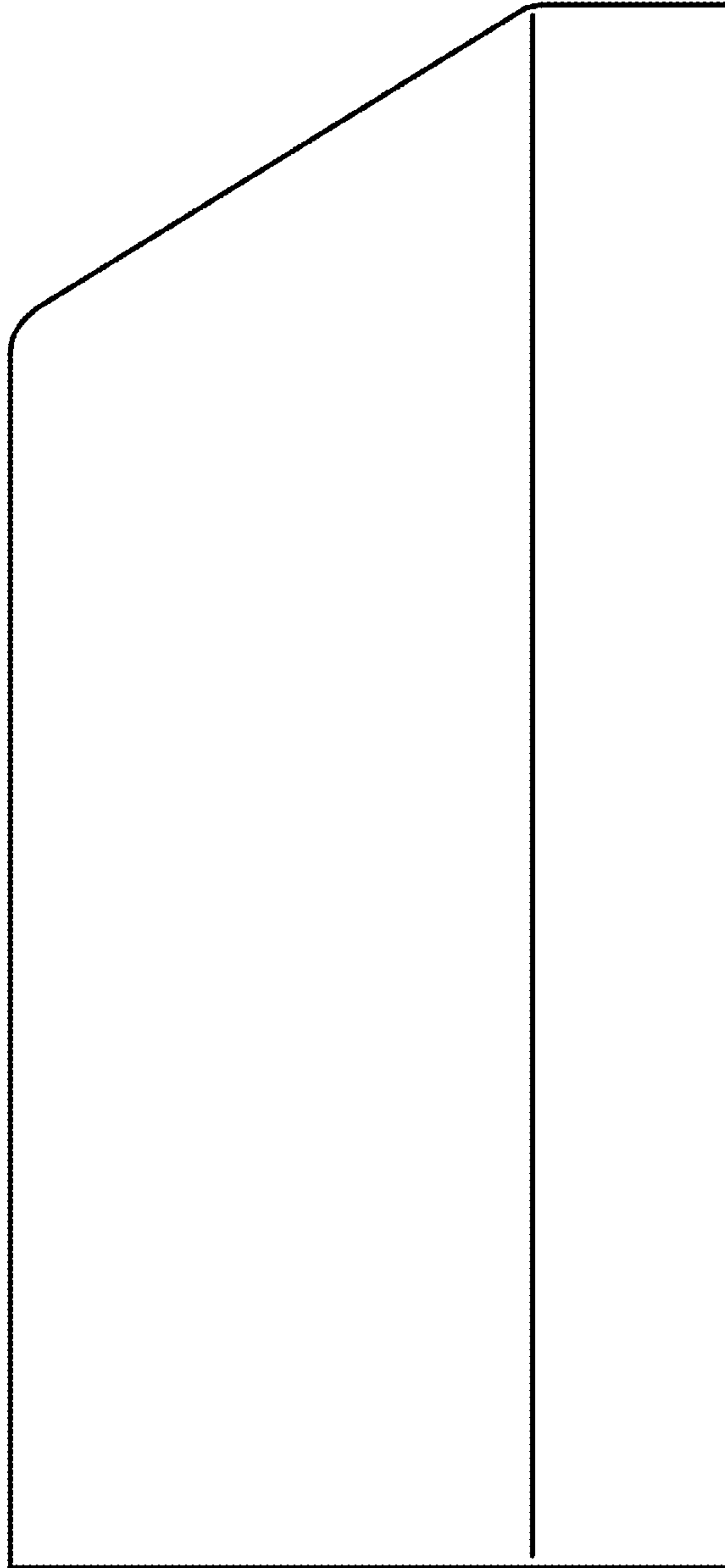


Figure 7

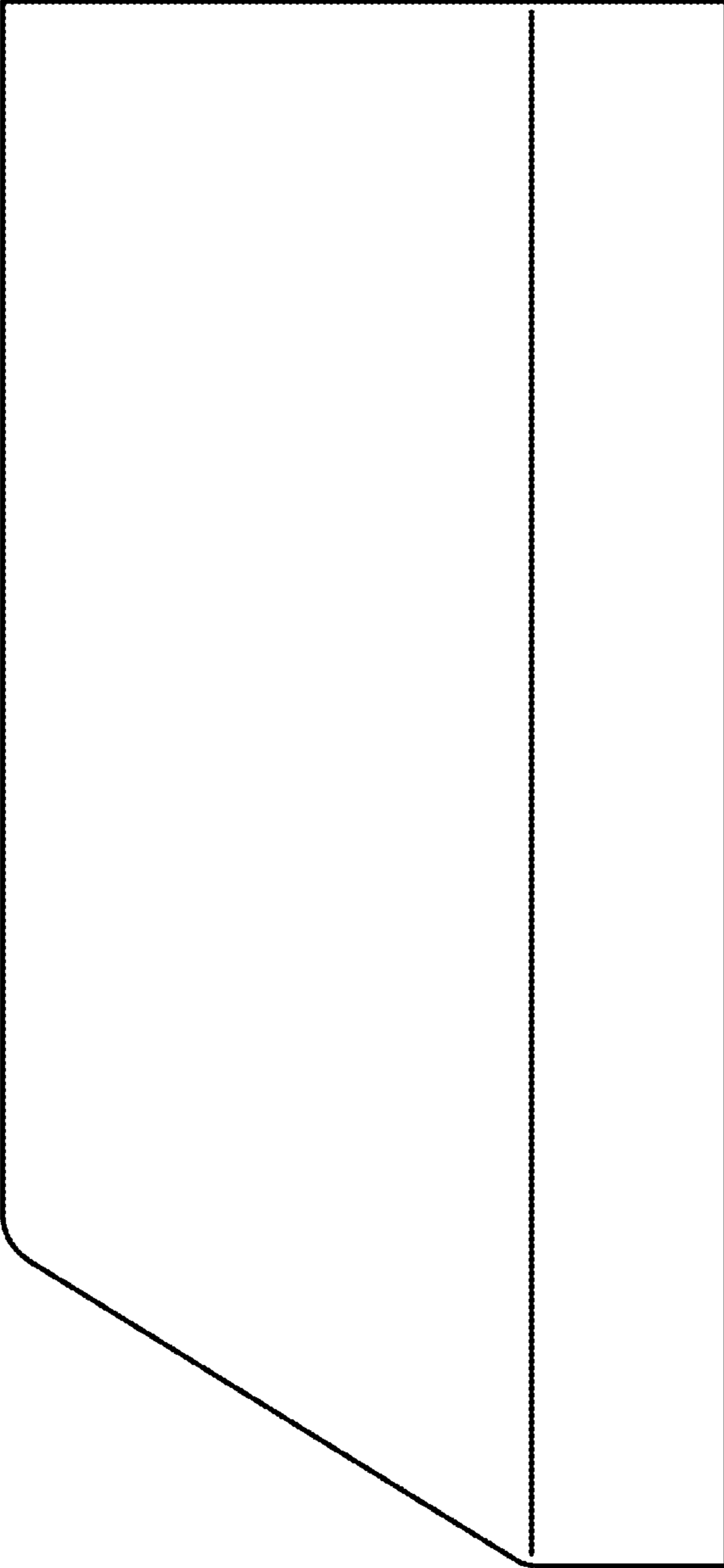


Figure 8