



US00D814001S

(12) **United States Design Patent**
Arai et al.

(10) **Patent No.:** **US D814,001 S**

(45) **Date of Patent:** **** *Mar. 27, 2018**

- (54) **AIR CONDITIONER**
- (71) Applicant: **mitsubishi electric CORPORATION**, Tokyo (JP)
- (72) Inventors: **Satoshi Arai**, Tokyo (JP); **Jangryul Rim**, Tokyo (JP)
- (73) Assignee: **Mitsubishi Electric Corporation**, Tokyo (JP)

D669,161 S *	10/2012	Yamana	D23/351
D688,780 S *	8/2013	Nakai	D23/351
D689,179 S *	9/2013	Nishiguchi	D23/351
D699,825 S *	2/2014	Ikeda	D23/351
D720,059 S *	12/2014	Niki	D23/351
D720,060 S *	12/2014	Murai	D23/351
D720,445 S *	12/2014	Murai	D23/351
D761,404 S *	7/2016	Chouji	D23/351
D761,405 S *	7/2016	Chouji	D23/351
D761,406 S *	7/2016	Zhang	D23/351
D777,894 S *	1/2017	Kato	D23/351

(*) Notice: This patent is subject to a terminal disclaimer.

(**) Term: **15 Years**

(21) Appl. No.: **29/575,461**

(22) Filed: **Aug. 25, 2016**

(30) **Foreign Application Priority Data**

Mar. 3, 2016 (JP) 2016-004749

(51) **LOC (11) Cl.** **23-04**

(52) **U.S. Cl.**
USPC **D23/351**

(58) **Field of Classification Search**
USPC D23/333, 335, 341, 342, 351, 353, 354,
D23/355, 356, 359, 364, 365, 370, 385,
D23/386, 388, 393
CPC F24F 1/00; F24F 1/0007; F24F 1/02; F24F
1/08; F24F 1/42; F24F 1/56; F24F 1/60;
F24F 3/044; F24F 3/048; F24F 3/16;
F24F 7/00; F24F 7/04; F24F 12/001;
F24F 12/006

See application file for complete search history.

(56) **References Cited**

U.S. PATENT DOCUMENTS

D565,158 S *	3/2008	Nagahori	D23/351
D579,095 S *	10/2008	Nagahori	D23/351
D621,018 S *	8/2010	Nagahori	D23/351
D621,920 S *	8/2010	Yamana	D23/351

FOREIGN PATENT DOCUMENTS

JP 1462563 S 2/2013

OTHER PUBLICATIONS

An Office Action; "Notice of Reasons for Rejection," issued by the Japanese Patent Office on Aug. 2, 2016, which corresponds to Japanese Design Patent Application No. 2016-004749.

* cited by examiner

Primary Examiner — George D. Kirschbaum

Assistant Examiner — Natasha Vujcic

(74) *Attorney, Agent, or Firm* — Studebaker & Brackett PC

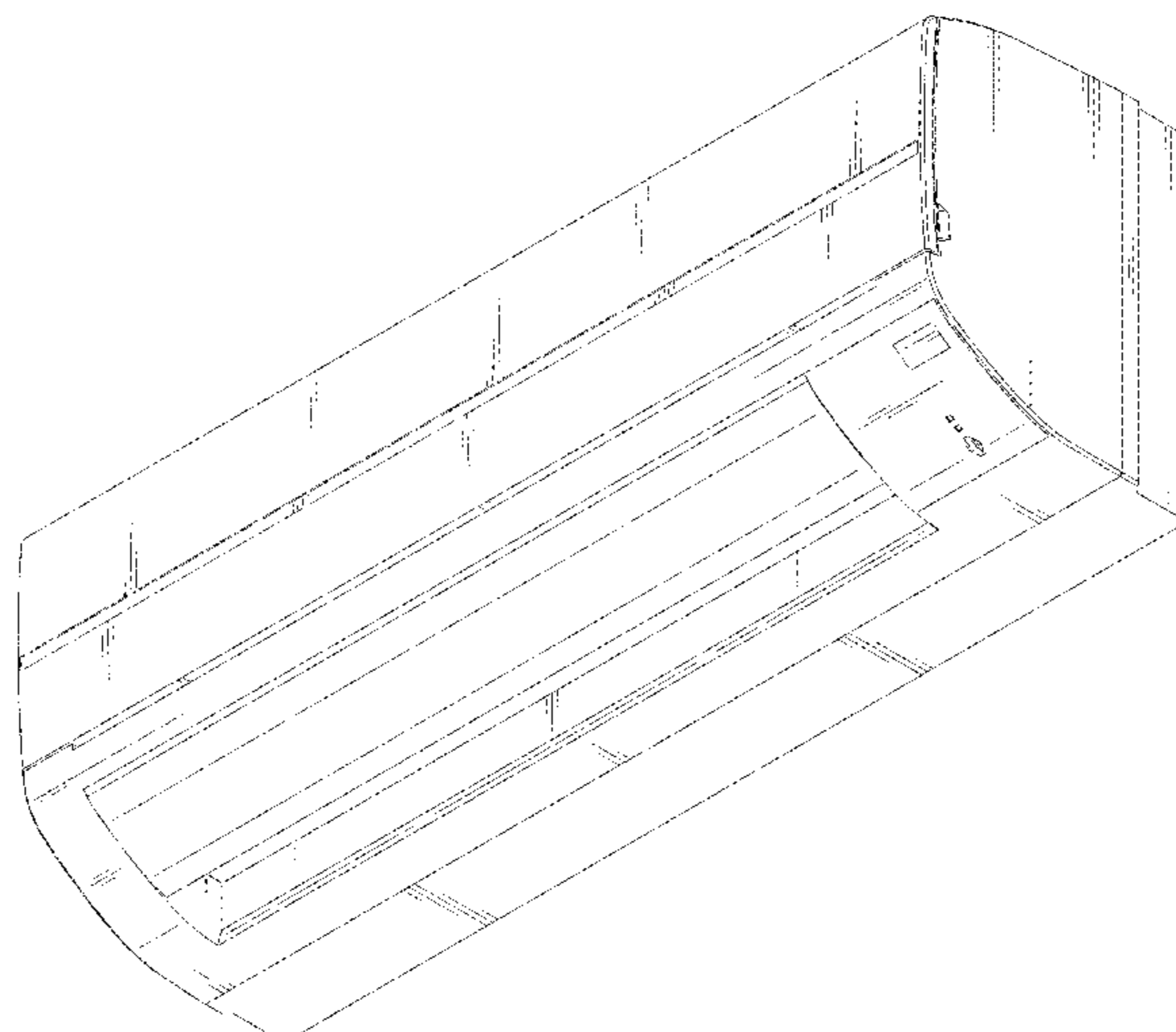
(57) **CLAIM**

The ornamental design for the air conditioner, as shown and described.

DESCRIPTION

FIG. 1 is a perspective view of the front, right and bottom sides of an air conditioner showing our new design;
FIG. 2 is a front view thereof;
FIG. 3 is a rear view thereof;
FIG. 4 is a left side view thereof;
FIG. 5 is a right side view thereof;
FIG. 6 is a top view thereof; and,
FIG. 7 is a bottom view thereof.

1 Claim, 7 Drawing Sheets



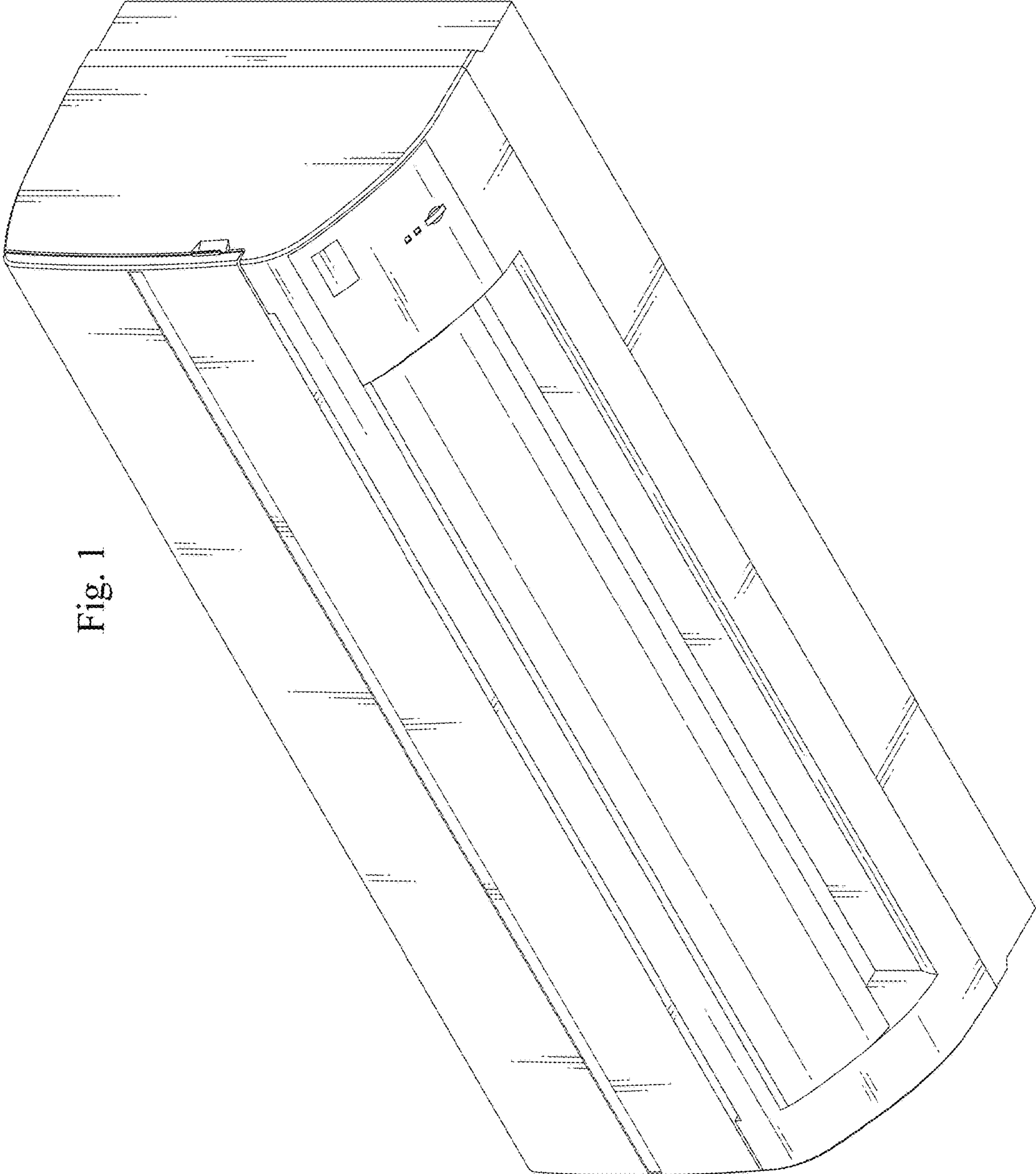


Fig. 1

Fig. 2

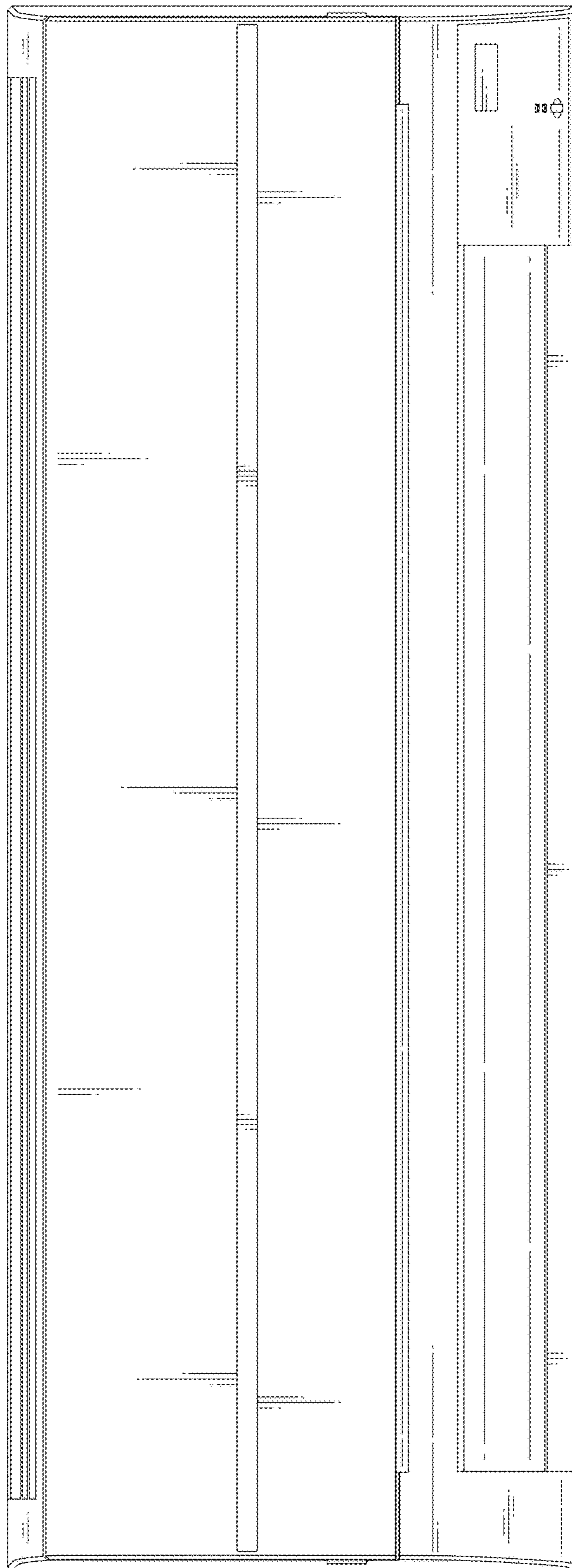


Fig. 3

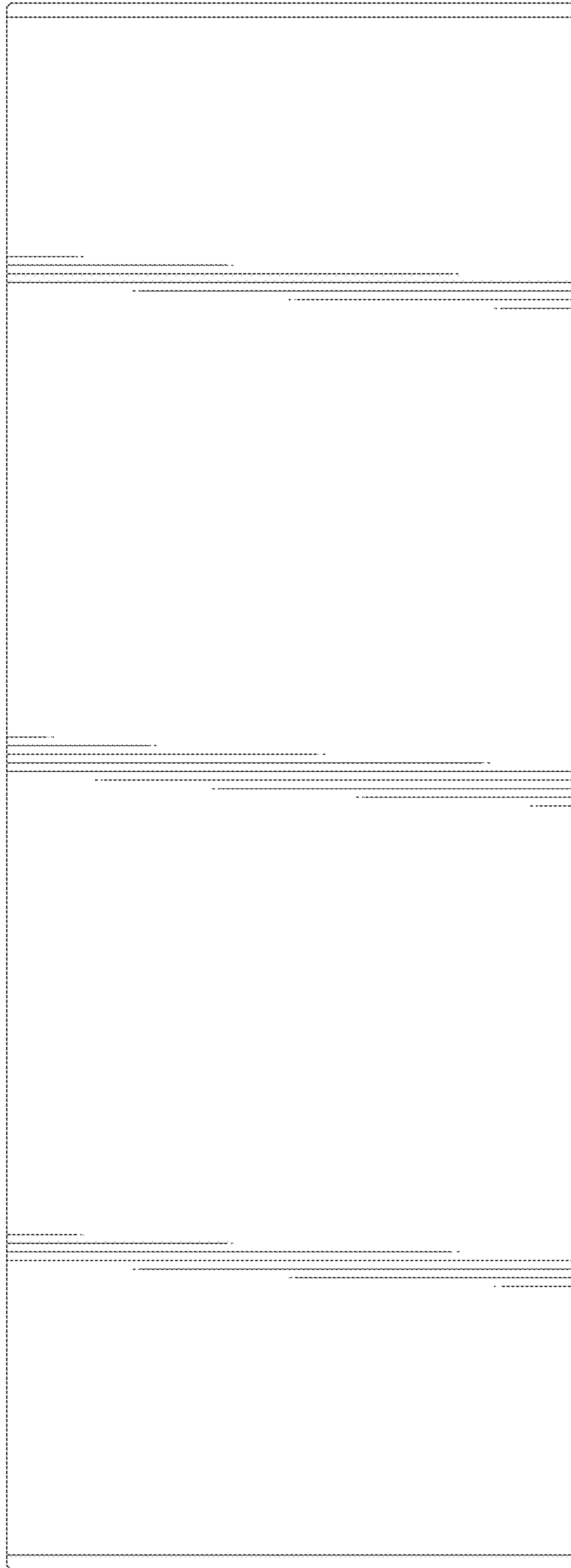


Fig. 4

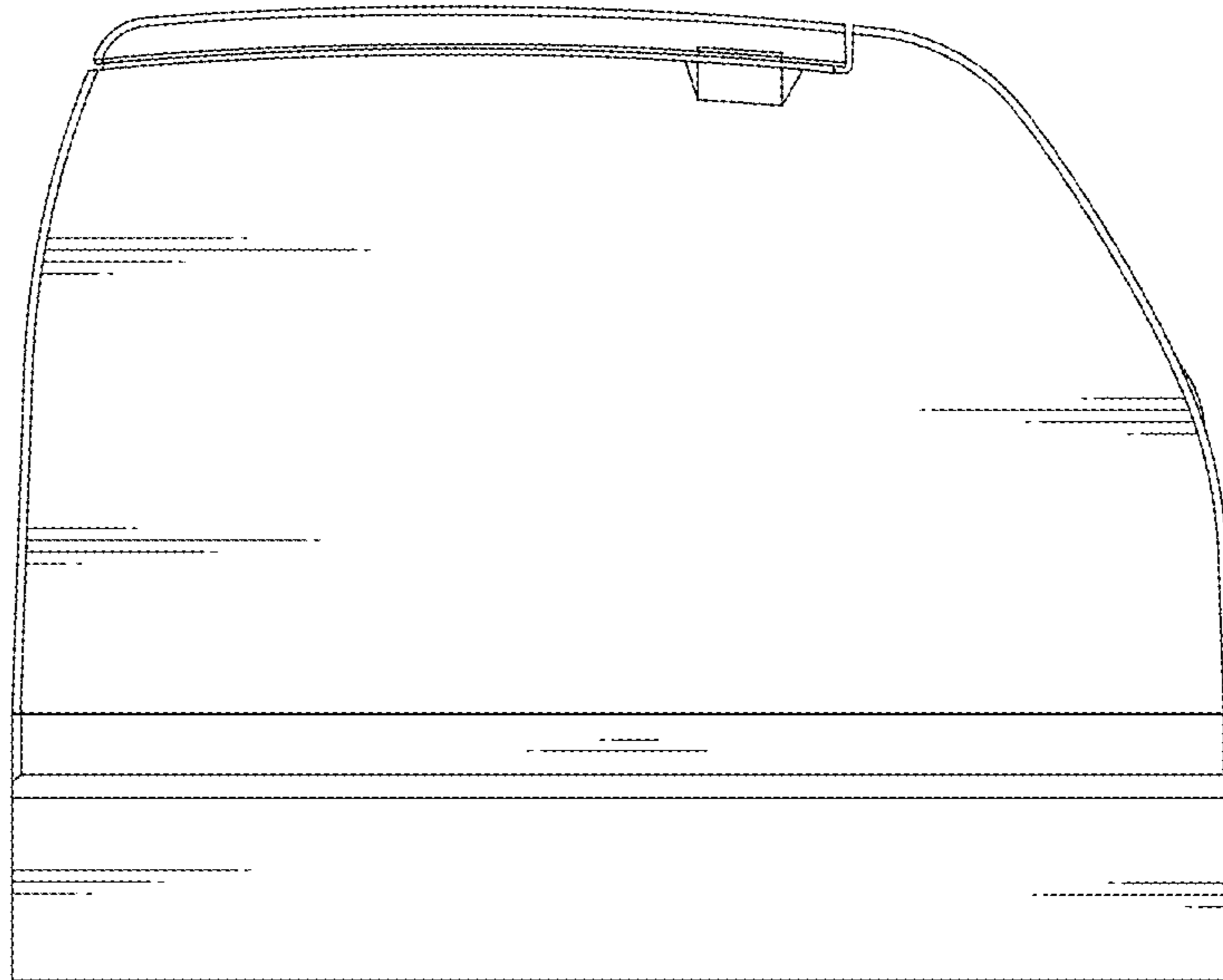


Fig. 5

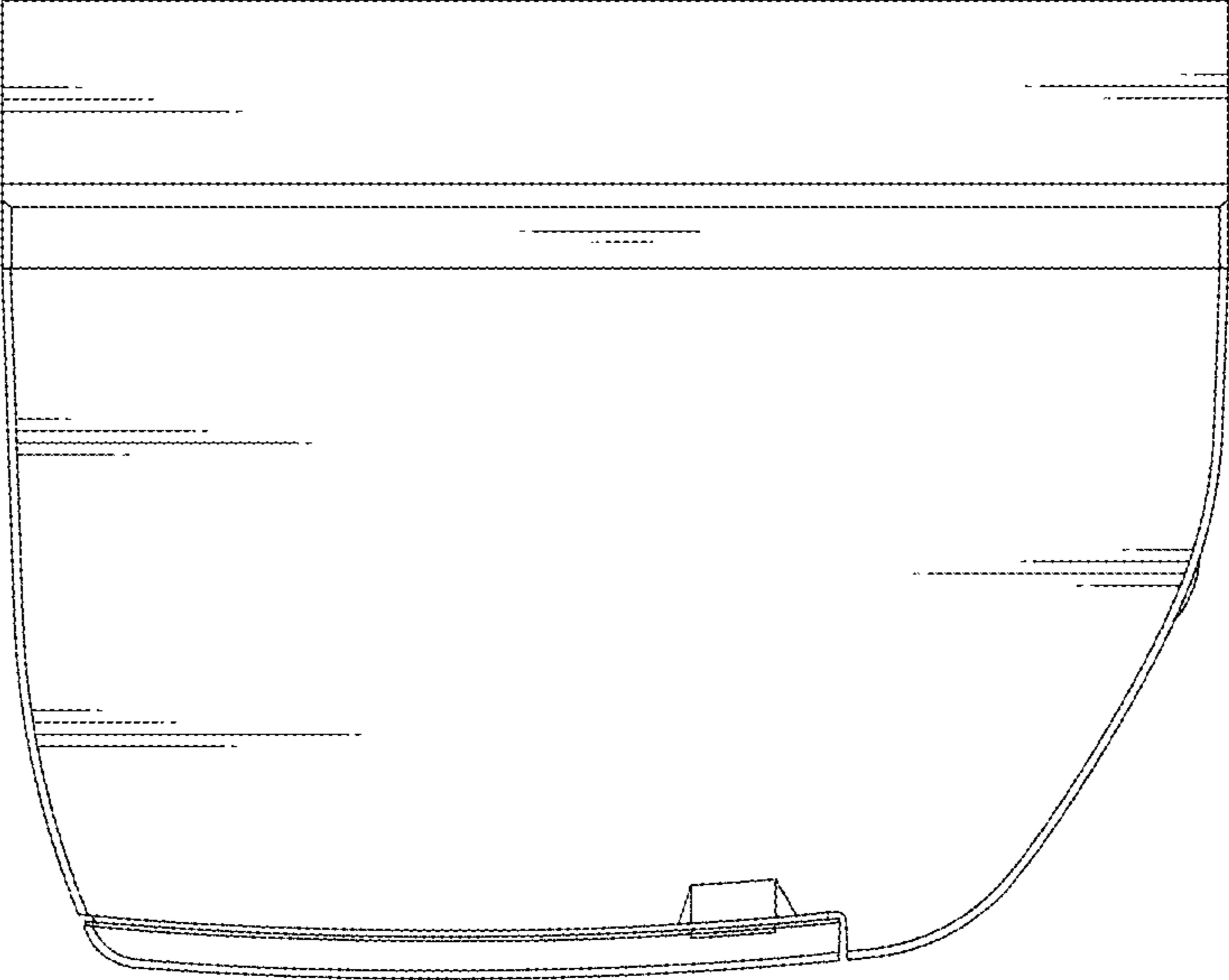


Fig. 6

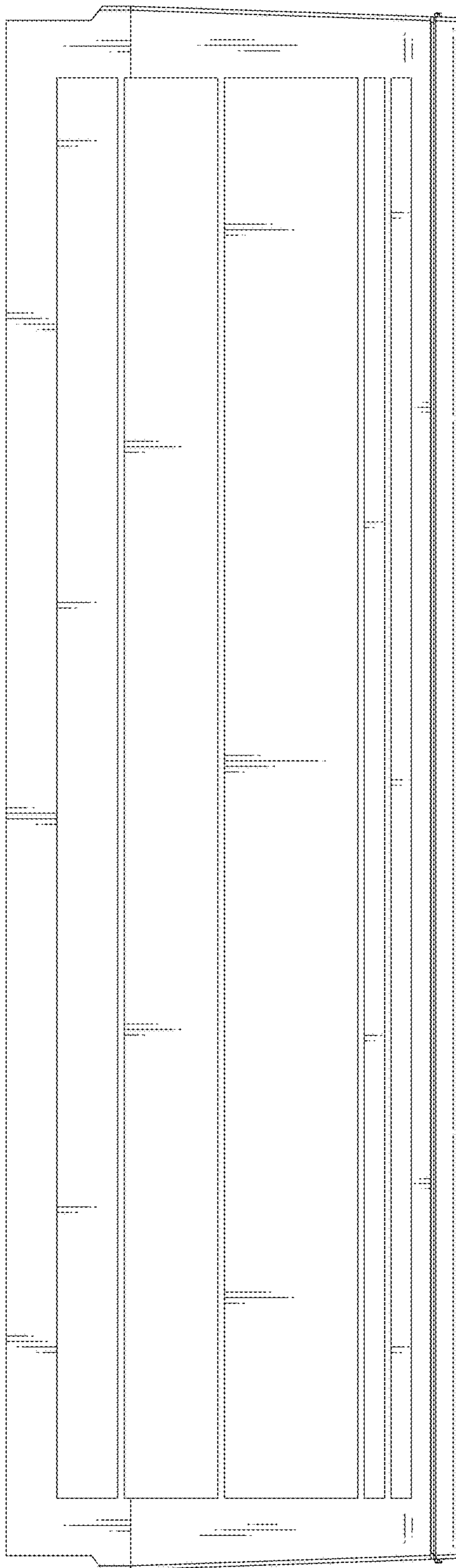


Fig. 7

