



US00D813999S

(12) **United States Design Patent** (10) **Patent No.:** **US D813,999 S**
Inovero et al. (45) **Date of Patent:** **** Mar. 27, 2018**

(54) **PATIO HEATER**
(71) Applicant: **Bond Manufacturing Company,**
Antioch, CA (US)
(72) Inventors: **Trisha Inovero,** Caloocan (PH);
Zhirong Zhang, Shenzhen (CN);
Cameron Jenkins, Antioch, CA (US)
(73) Assignee: **Bond Manufacturing Co., Inc.,**
Antioch, CA (US)

6,651,647 B2 11/2003 Waters
D486,211 S 2/2004 Chan et al.
D509,291 S * 9/2005 Cunningham D23/336
D537,154 S * 2/2007 Cunningham D23/336
D563,537 S * 3/2008 McColgin D23/317
D567,916 S * 4/2008 McColgin D23/317
D594,949 S 6/2009 Wang
D616,972 S 6/2010 Wang
D620,569 S * 7/2010 Hall, Jr. D23/314
(Continued)

(**) Term: **15 Years**

AU 2003 203 464 10/2003
FR 2814223 A1 3/2002

(21) Appl. No.: **29/605,875**

OTHER PUBLICATIONS

(22) Filed: **May 31, 2017**

Gasmate Catalog, Gasmate, the outdoors made easy, Heating & Lighting, www.gasmate.co.nz, 2013-2014, 20 pages.

Related U.S. Application Data

(Continued)

(63) Continuation-in-part of application No. 29/527,814,
filed on May 21, 2015.

(51) **LOC (11) Cl.** **23-03**

Primary Examiner — T. Chase Nelson

(52) **U.S. Cl.**

Assistant Examiner — Ania Aman

USPC **D23/317**

(74) *Attorney, Agent, or Firm* — Weide & Miller, Ltd.

(58) **Field of Classification Search**

(57) **CLAIM**

USPC D23/323, 328, 332, 336, 339, 342, 386,
D23/338, 314, 317, 335, 337, 340

The ornamental design for a patio heater, as shown and described.

CPC F24C 1/12; F24C 1/10; F24C 3/04; F24C
15/00; H05B 3/008; F23D 14/145; F24H
3/006; F24H 9/0057; F24H 9/1881

DESCRIPTION

See application file for complete search history.

FIG. 1 is a perspective view of a patio heater showing the new design.

(56) **References Cited**

FIG. 2 is a front view of the design shown in FIG. 1.

U.S. PATENT DOCUMENTS

FIG. 3 is a back view of the design shown in FIG. 1.

D325,963 S * 5/1992 Anderson D23/342

FIG. 4 is a right-side view of the design shown in FIG. 1.

6,192,878 B1 2/2001 Waters

FIG. 5 is a left-side view of the design shown in FIG. 1.

6,397,835 B1 6/2002 Liang

FIG. 6 is a top view of the design shown in FIG. 1; and,

D462,426 S 9/2002 Jeng

FIG. 7 is a bottom view of the design shown in FIG. 1.

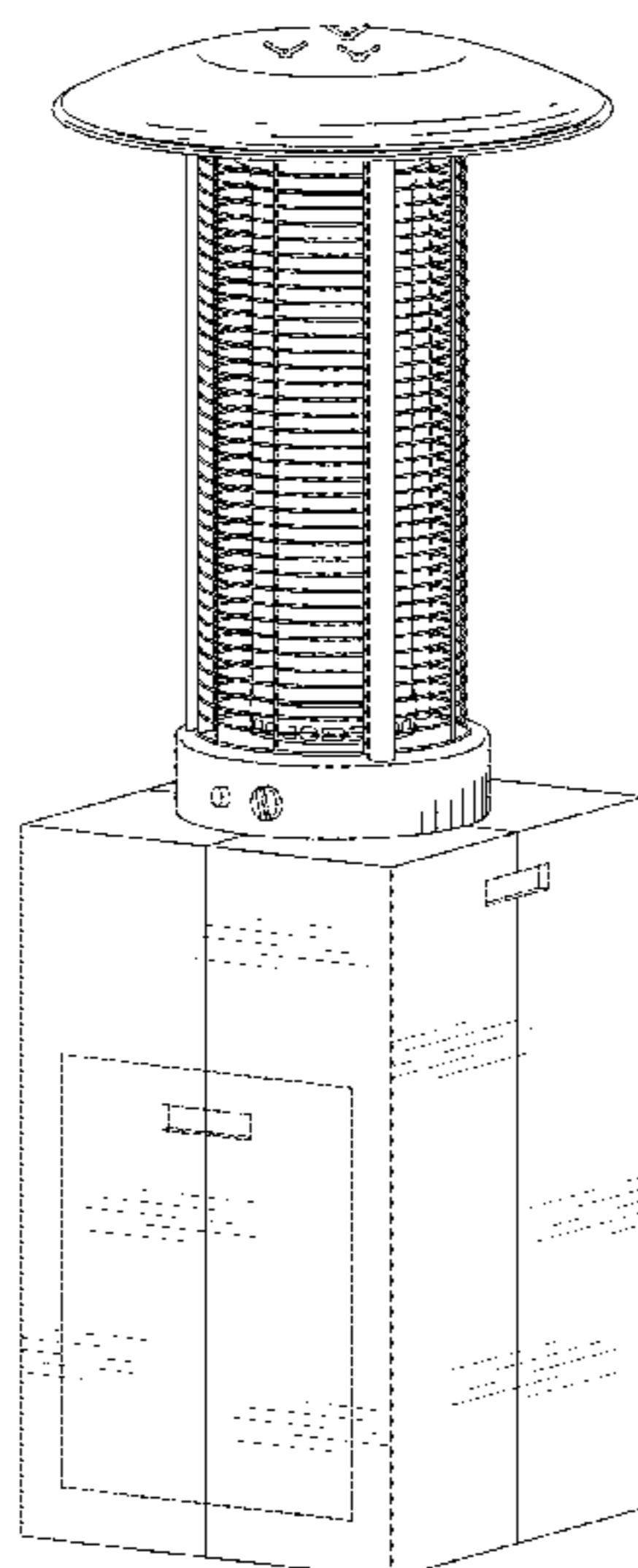
D462,427 S 9/2002 Jeng

The broken lines indicate unclaimed portions of the article and form no part of the claimed design.

D465,836 S * 11/2002 Smith D23/342

1 Claim, 7 Drawing Sheets

D471,967 S 3/2003 Bossler



(56)

References Cited

U.S. PATENT DOCUMENTS

D639,919 S * 6/2011 Yu D23/314
D640,355 S 6/2011 Yu
D663,811 S 7/2012 Ren
D688,360 S 8/2013 Paz
D718,850 S 12/2014 Stokke
D756,496 S * 5/2016 Wang D23/332
9,328,927 B2 5/2016 Wang
9,404,671 B2 * 8/2016 Liang F24H 9/0073
2001/0037804 A1 11/2001 Waters
2003/0056782 A1 3/2003 Liang
2004/0226551 A1 11/2004 Duphily
2008/0152329 A1 * 6/2008 Saunders F24C 3/04
392/407
2010/0132698 A1 6/2010 Pedersen
2014/0220293 A1 8/2014 Lavigna et al.
2014/0305427 A1 * 10/2014 Liang F24H 3/006
126/90 R
2014/0305428 A1 * 10/2014 Liang F24H 9/0073
126/91 A
2016/0230985 A1 * 8/2016 Home F23D 14/145
2016/0348915 A1 * 12/2016 Yang F24C 1/12

OTHER PUBLICATIONS

Home Depot Catalog, <http://www.homedepot.com/catalog/productImages/400/3f/3f384a39-69ea-4eb4-9-cao-bd9d>, 1 page, printed Nov. 4, 2015.

Square image, Square, <https://secure.img1.wfrcdn.com/1f/87/hash/1523/3972126/1/Square%2BFlame%2BHeater>, 1 page, printed Nov. 4, 2015.

* cited by examiner

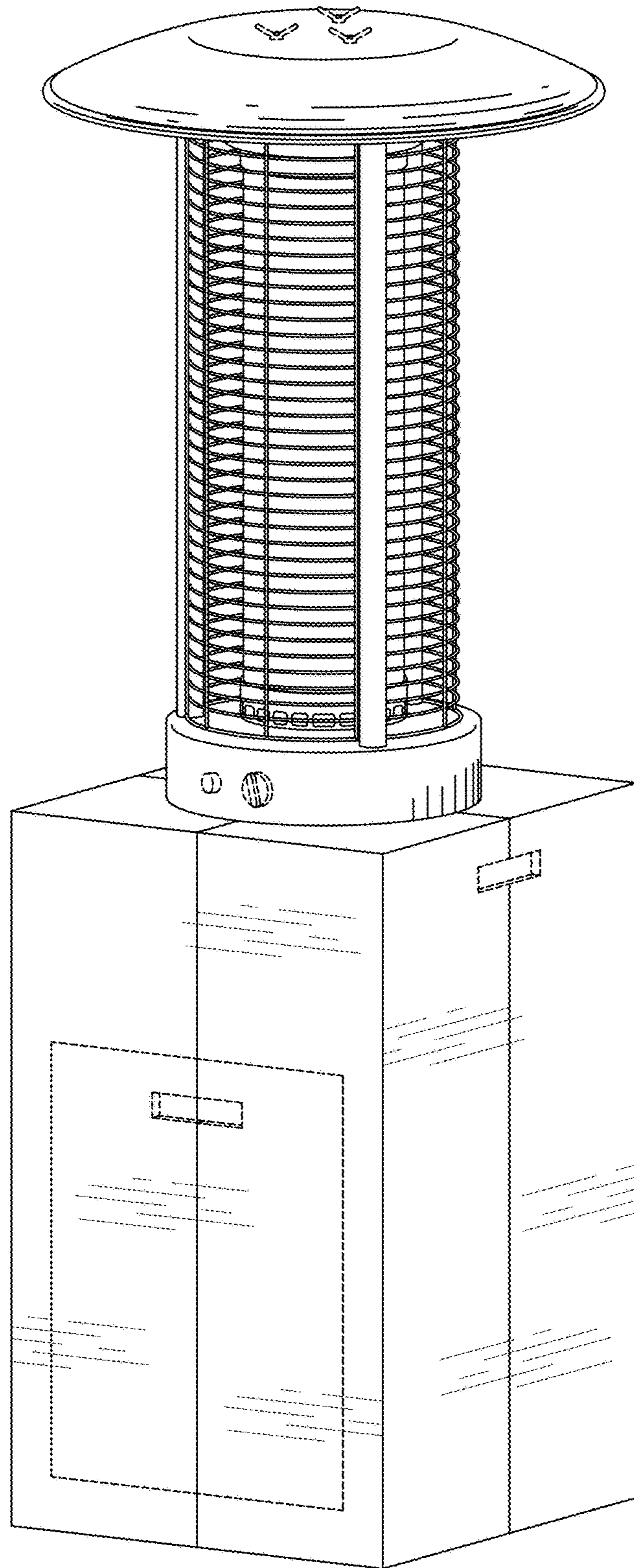


FIG. 1

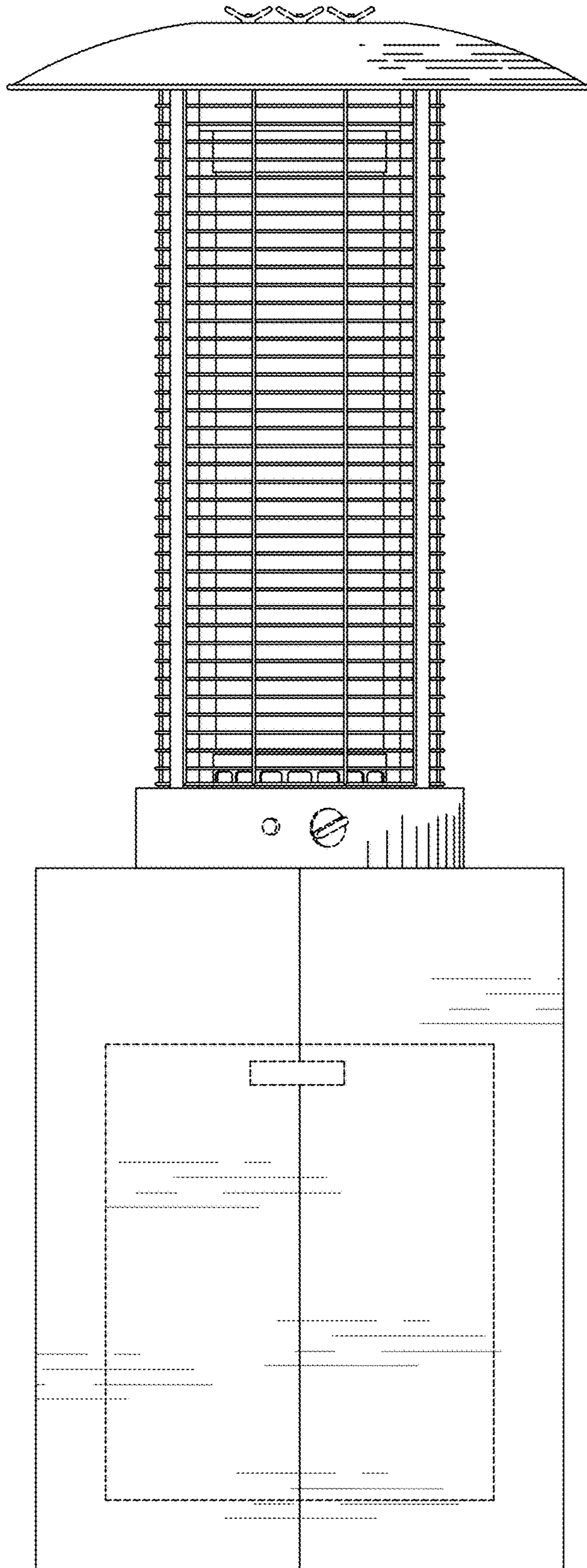


FIG. 2

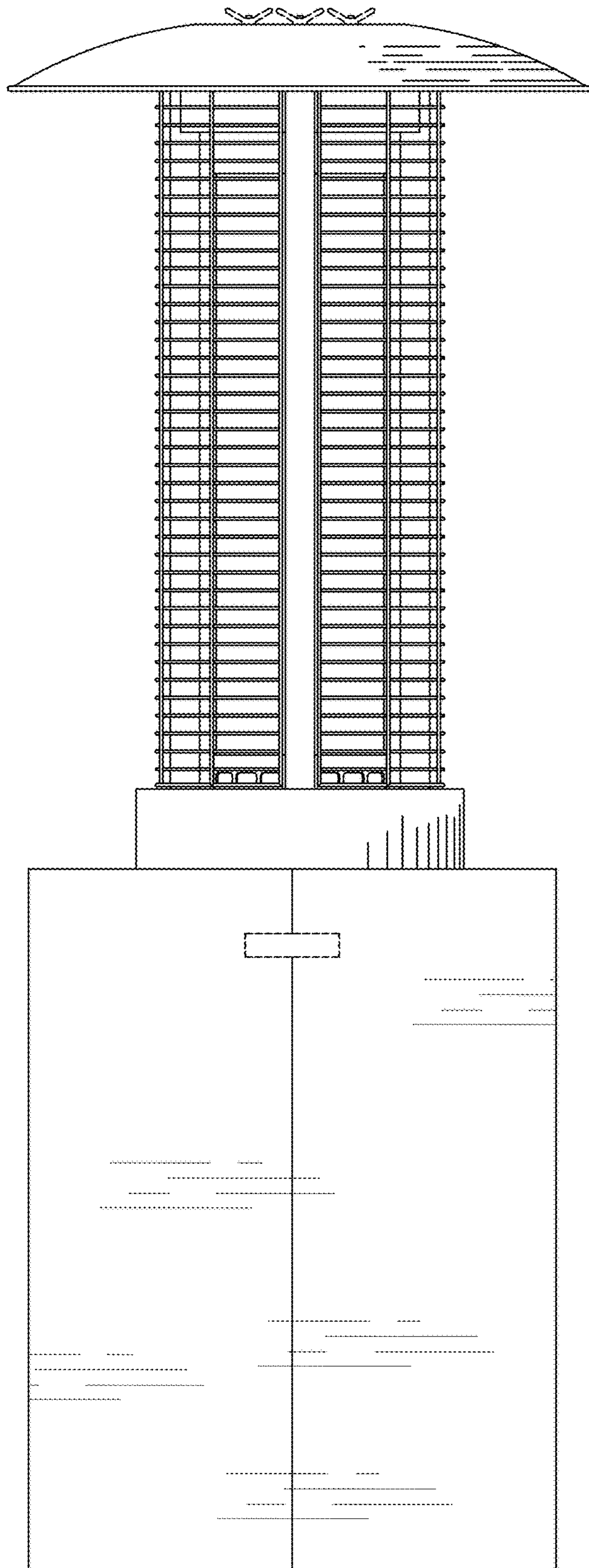


FIG. 3

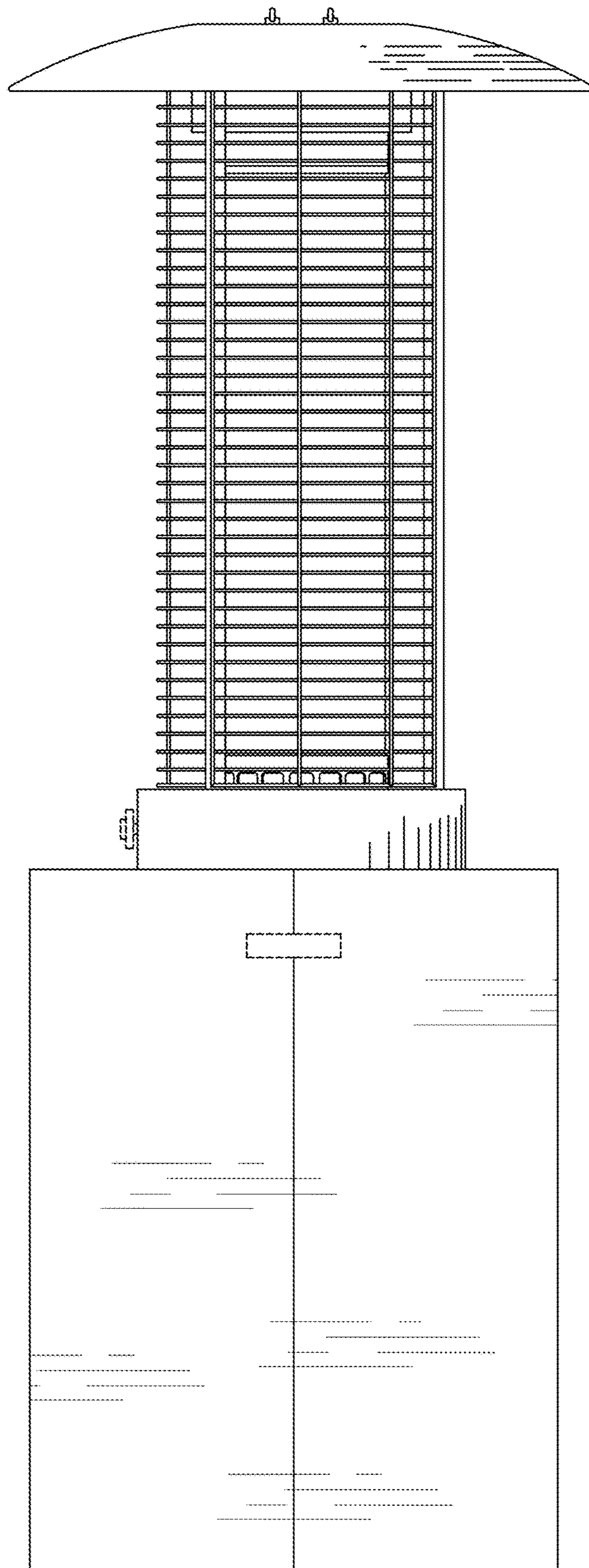


FIG. 4

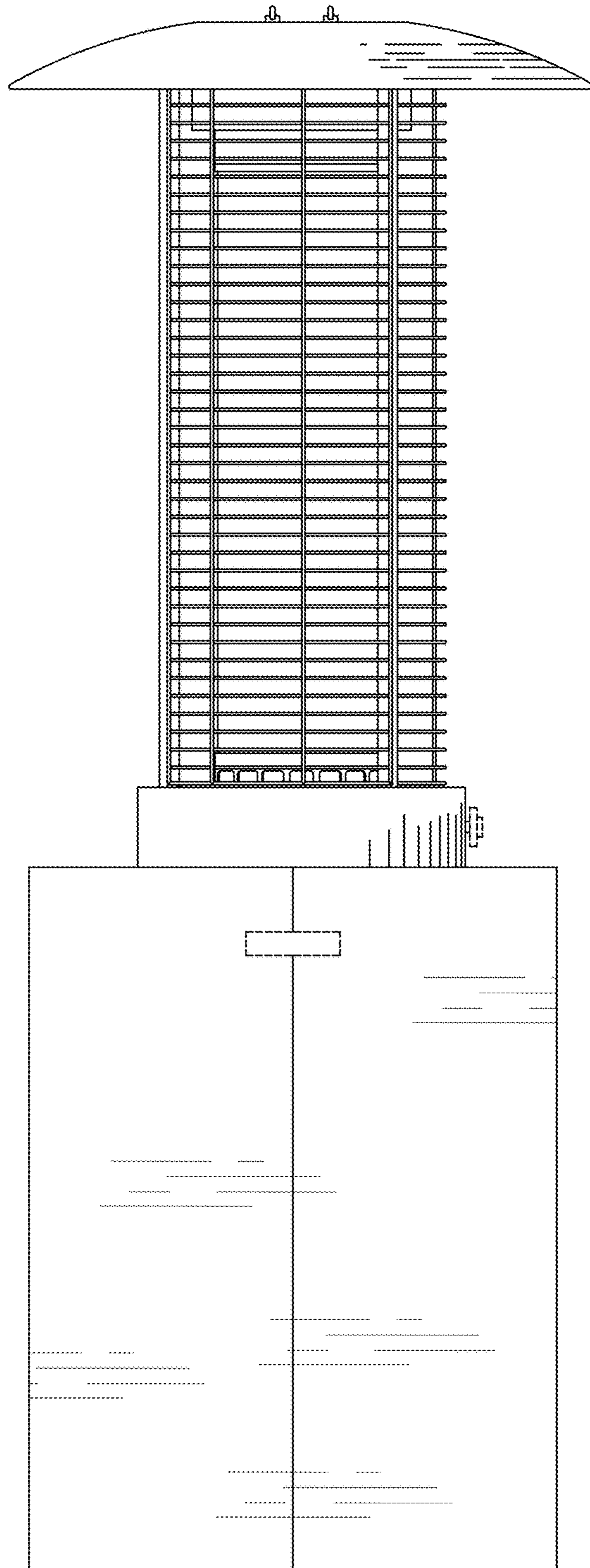


FIG. 5

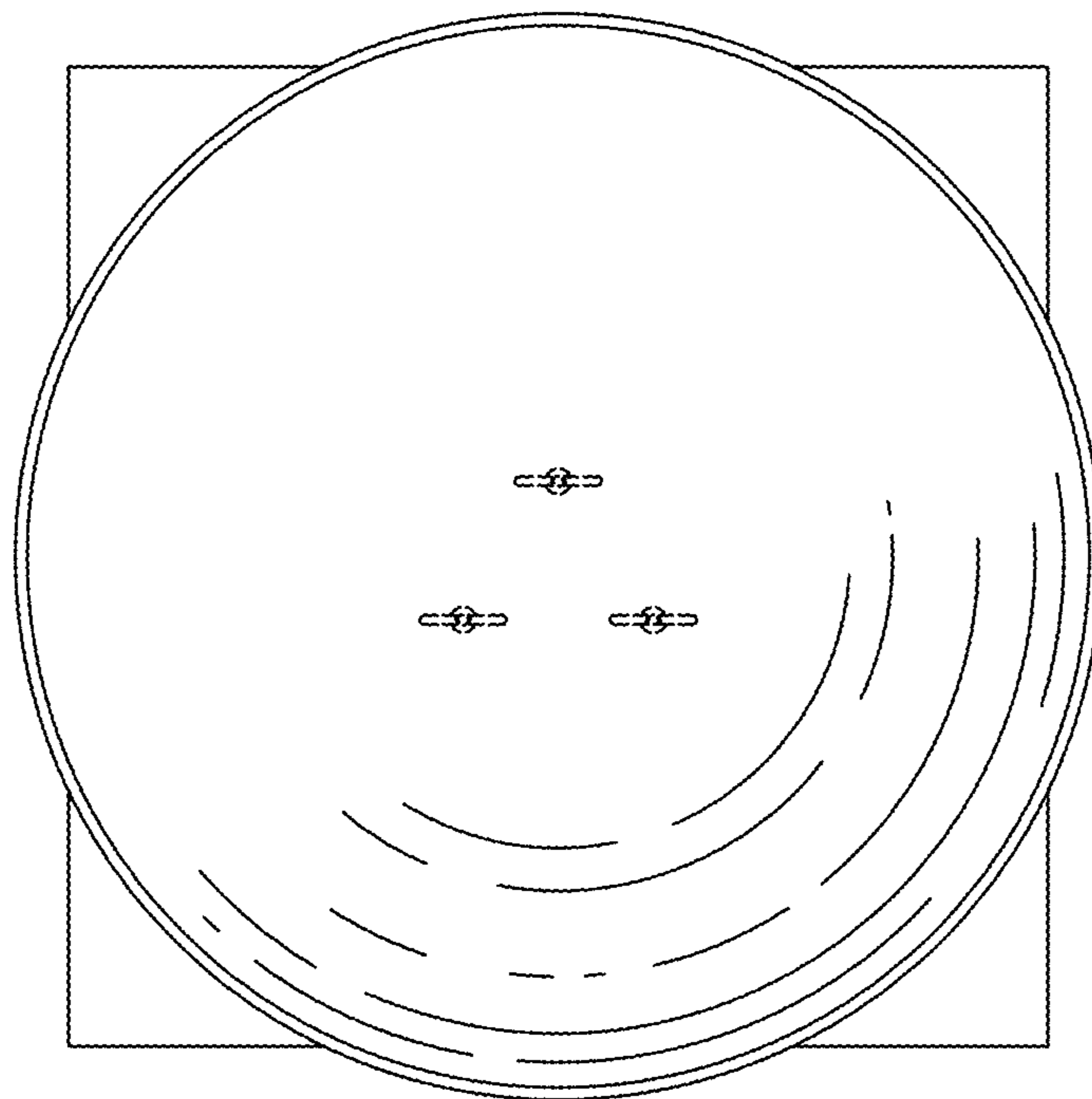


FIG. 6

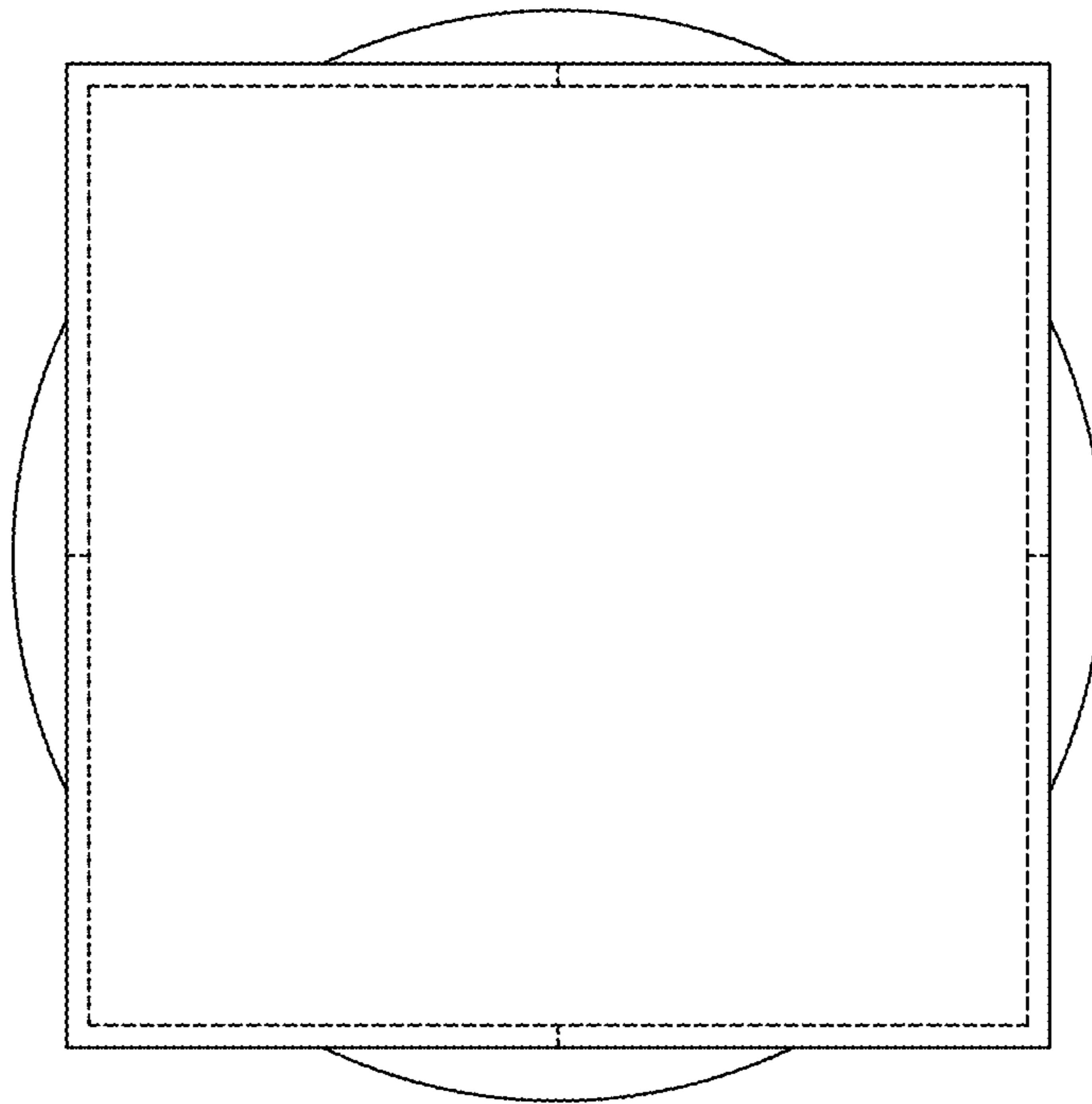


FIG. 7