

US00D813998S

(12) **United States Design Patent**
Schoenherr et al.

(10) **Patent No.:** **US D813,998 S**
(45) **Date of Patent:** **** Mar. 27, 2018**

(54) **SHOWER CONTROL PANEL**

D761,386 S * 7/2016 Schoenherr D23/228
D768,821 S * 10/2016 Flowers D23/228
D806,512 S * 1/2018 Chow D8/311

(71) Applicant: **Hansgrohe SE**, Schiltach (DE)

* cited by examiner

(72) Inventors: **Tom Schoenherr**, Stuttgart (DE);
Matthias Oesterle, Winterbach (DE);
Marco Flaig, Stuttgart (DE)

Primary Examiner — Robert A Delehanty

(73) Assignee: **Hansgrohe SE**, Schiltach (DE)

(74) *Attorney, Agent, or Firm* — Lora J. Graentzdoerffer

(**) Term: **15 Years**

(57) **CLAIM**

(21) Appl. No.: **29/606,414**

The ornamental design for a shower control panel, as shown and described.

(22) Filed: **Jun. 5, 2017**

(30) **Foreign Application Priority Data**

Dec. 13, 2016 (EM) 003515543-0006

DESCRIPTION

(51) **LOC (11) Cl.** **23-01**

(52) **U.S. Cl.**
USPC **D23/304**

(58) **Field of Classification Search**
USPC D23/238–243, 249–250, 252, 254, 228,
D23/303–305, 283, 275; D8/300,
D8/307–308, 310

CPC . Y10T 137/9464; E03C 1/0408; E03C 1/066;
E03C 1/06; E03C 1/021

See application file for complete search history.

FIG. 1 is a perspective view of a shower control panel showing our design;

FIG. 2 is a front elevation view;

FIG. 3 is a rear elevation view;

FIG. 4 is a right side elevation view;

FIG. 5 is a left side elevation view;

FIG. 6 is a top plan view; and,

FIG. 7 is a bottom plan view.

The broken-line disclosure in the views represents portions of the shower control panel in which the claimed design is embodied, but which form no part of the claimed design.

(56) **References Cited**

U.S. PATENT DOCUMENTS

D492,980 S * 7/2004 Citterio D23/304
D648,825 S * 11/2011 Ando D23/304
D677,365 S * 3/2013 Schoenherr D23/238

1 Claim, 7 Drawing Sheets

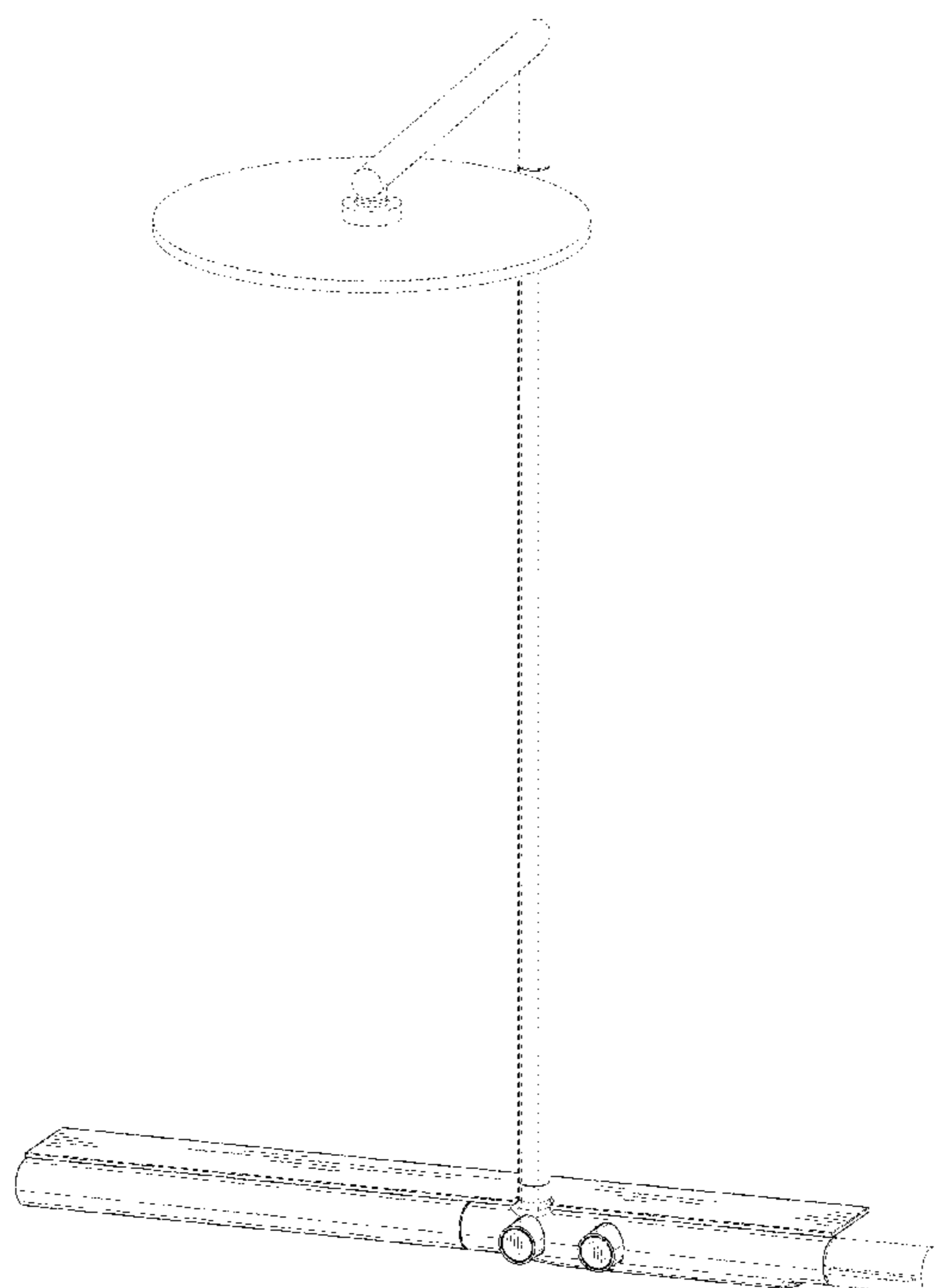


FIG. 1

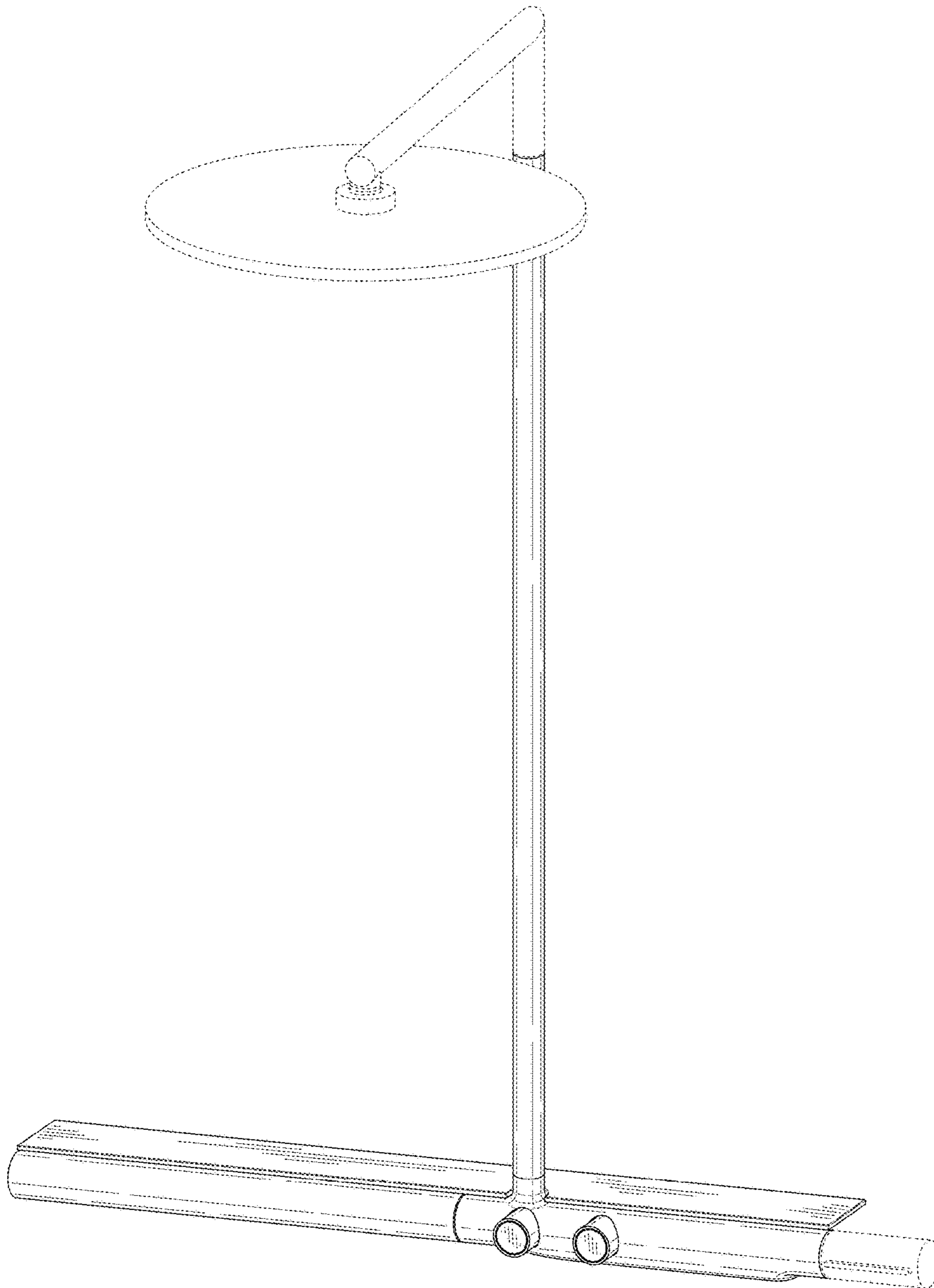


FIG. 2

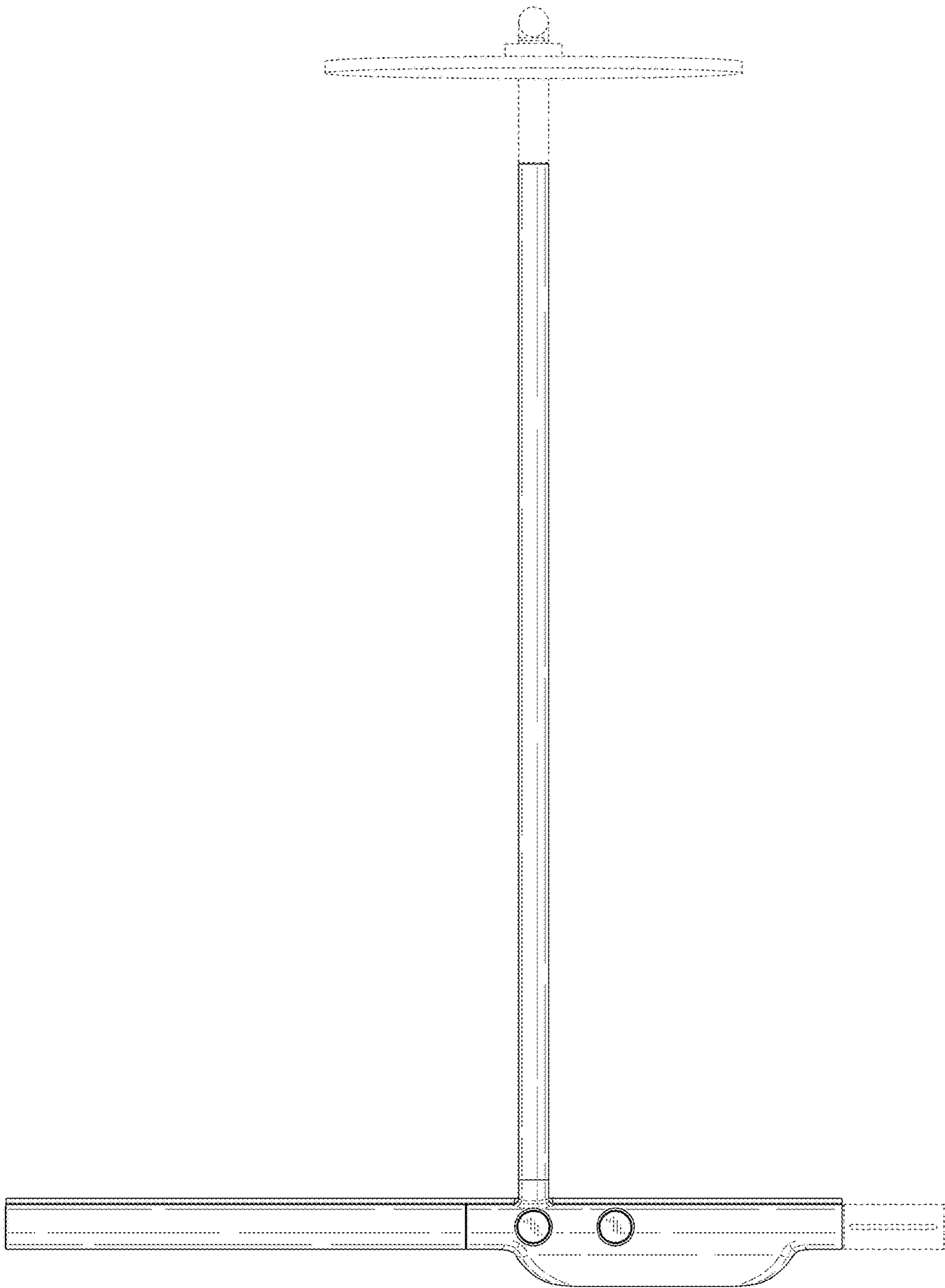


FIG. 3

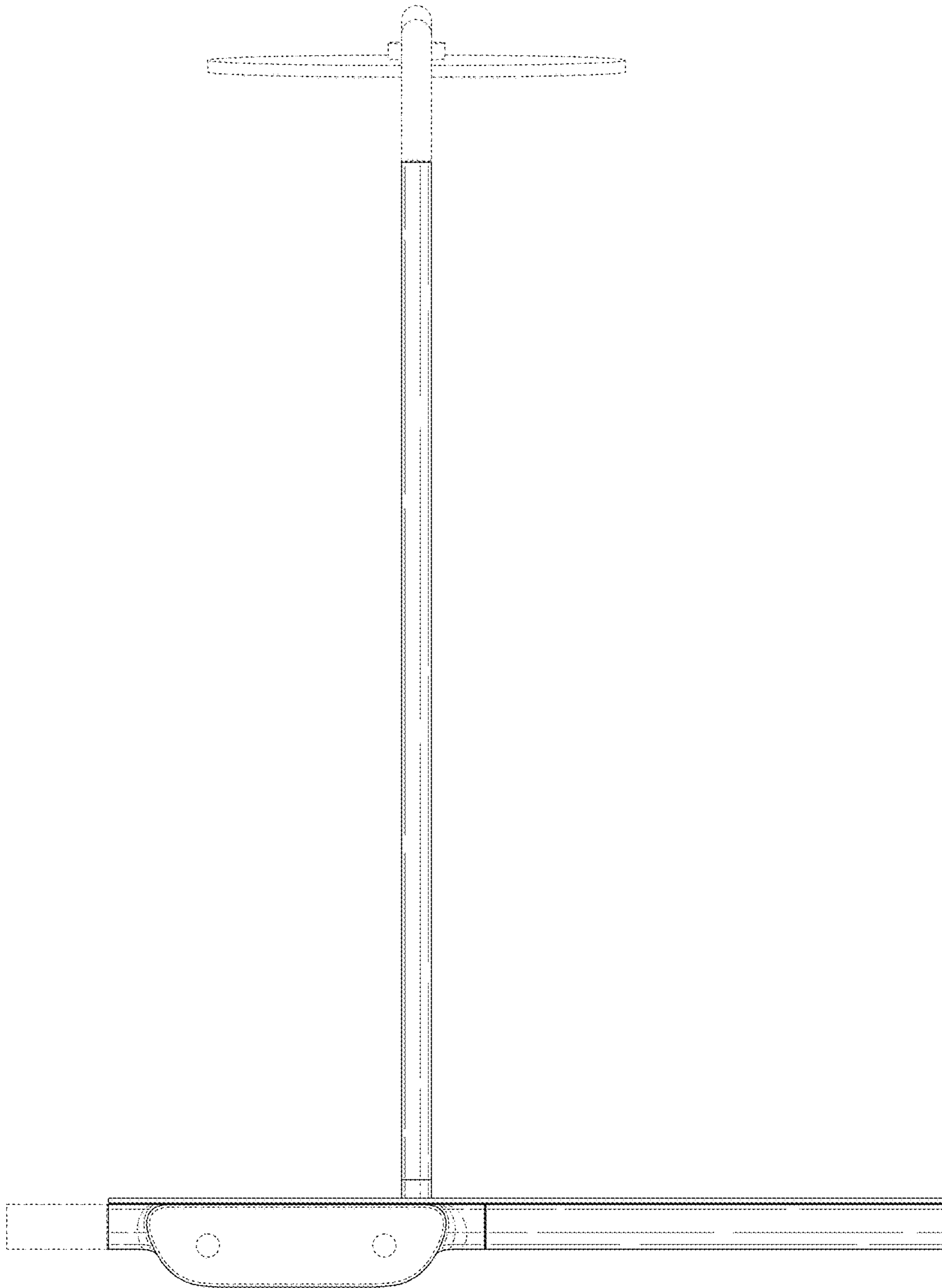


FIG. 4

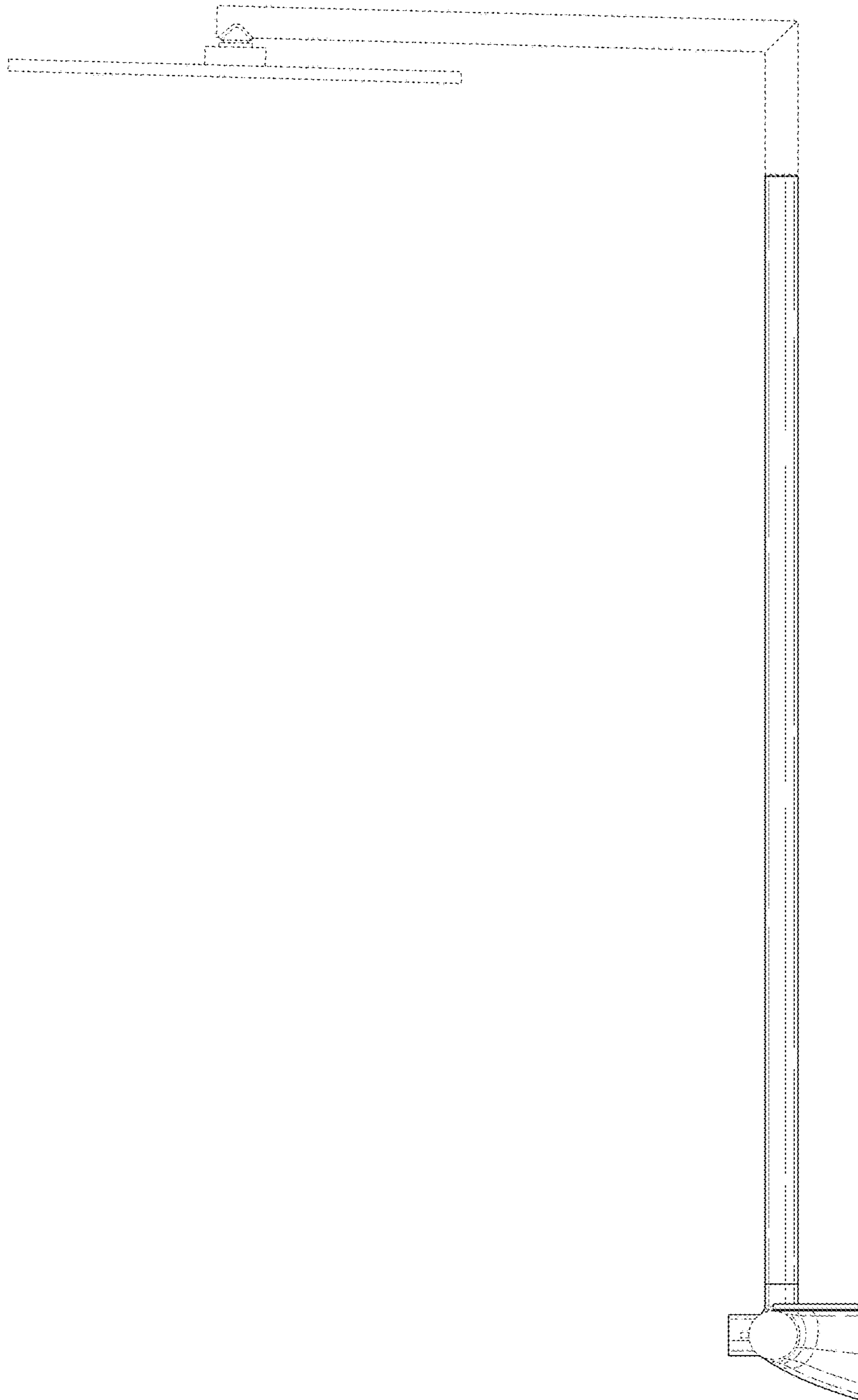


FIG. 5

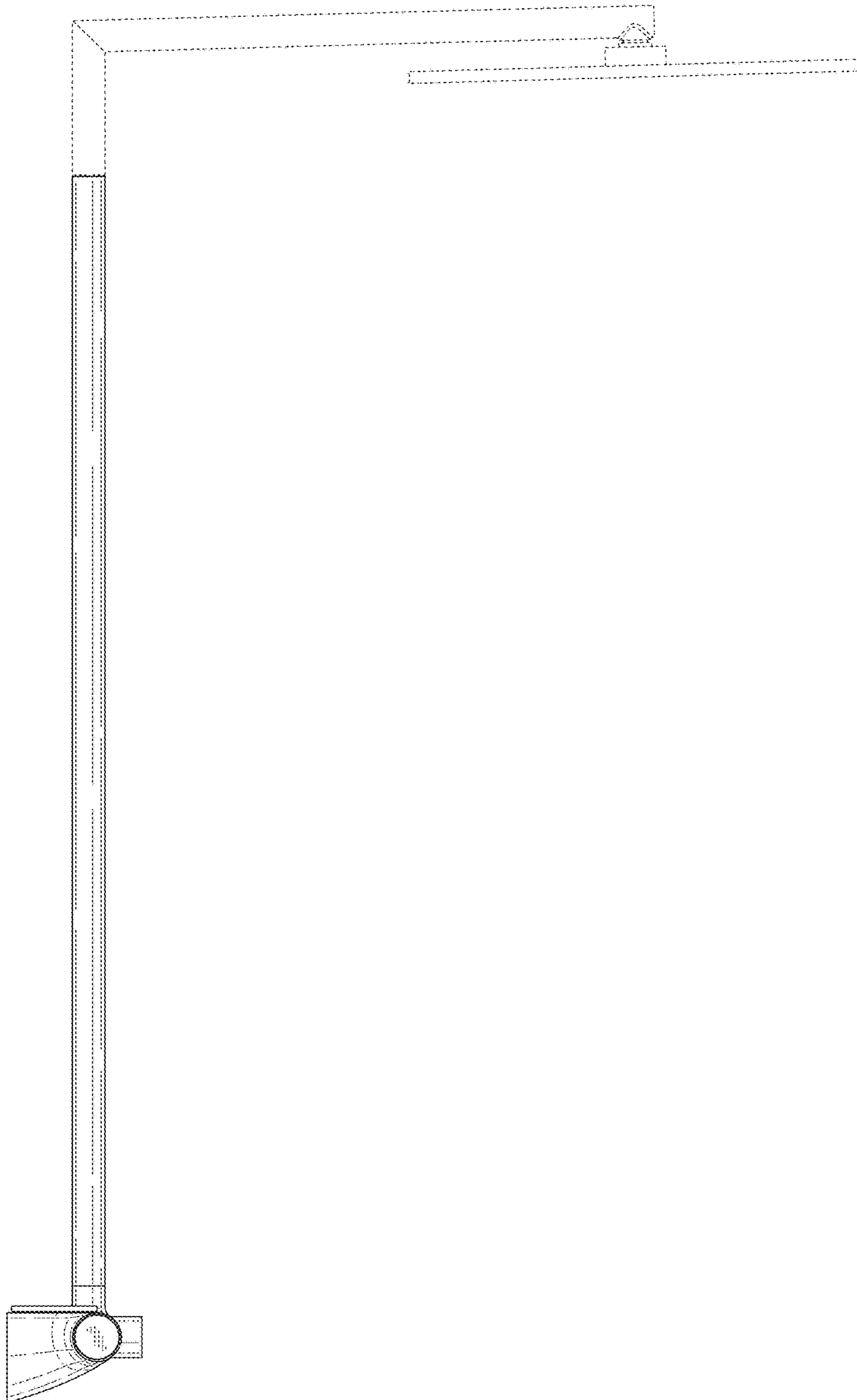


FIG. 6

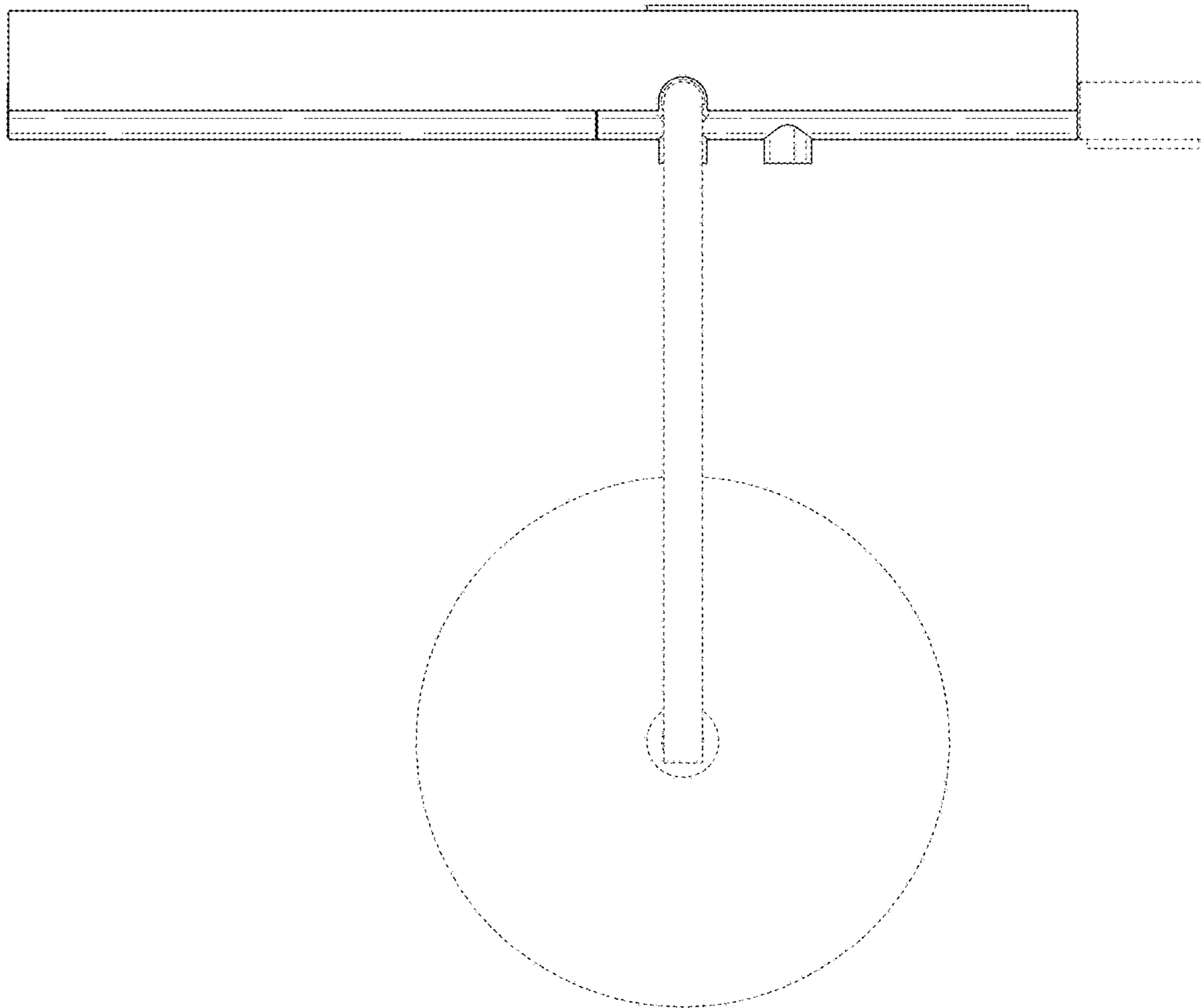


FIG. 7

