



US00D813996S

(12) **United States Design Patent** (10) **Patent No.:** **US D813,996 S**
Wieser et al. (45) **Date of Patent:** **** Mar. 27, 2018**

(54) **BASIN**
(71) Applicant: **Bradley Fixtures Corporation**,
Menomonee Falls, WI (US)
(72) Inventors: **Matthias Wieser**, Wendlingen (DE);
Pablo Bernal Ruesta, Stuttgart (DE);
Alexander Hoffart, Bindlach (DE);
Andreas Dimitriadis, Lorch (DE)

(73) Assignee: **Bradley Fixtures Corporation**,
Menomonee Falls, WI (US)

(**) Term: **15 Years**

(21) Appl. No.: **29/607,773**

(22) Filed: **Jun. 16, 2017**

Related U.S. Application Data

(62) Division of application No. 29/562,620, filed on Apr. 27, 2016.

(51) **LOC (11) Cl.** **23-02**

(52) **U.S. Cl.**
USPC **D23/284**

(58) **Field of Classification Search**
USPC D23/284–293.1, 303, 308; D6/329, 573,
D6/657, 663–666, 671, 671.1, 671.4
CPC A47K 1/04; A47B 77/06; A47J 47/20
See application file for complete search history.

(56) **References Cited**

U.S. PATENT DOCUMENTS

D538,905 S * 3/2007 Wano D23/293.1
D625,792 S * 10/2010 Rundberg D23/308

D629,877 S * 12/2010 Rundberg D23/308
D687,530 S * 8/2013 McGuire D23/308
D691,247 S * 10/2013 McGuire D23/308
D691,248 S * 10/2013 McGuire D23/308
D721,426 S * 1/2015 Bartlett D23/290
D735,837 S * 8/2015 Bartlett D23/290
D735,838 S * 8/2015 Bartlett D23/290
D745,120 S * 12/2015 Adkison D23/284
D745,122 S * 12/2015 Schonherr D23/284

* cited by examiner

Primary Examiner — Robert M. Spear

Assistant Examiner — John A Voytek

(74) *Attorney, Agent, or Firm* — Boyle Fredrickson, S.C.

(57) **CLAIM**

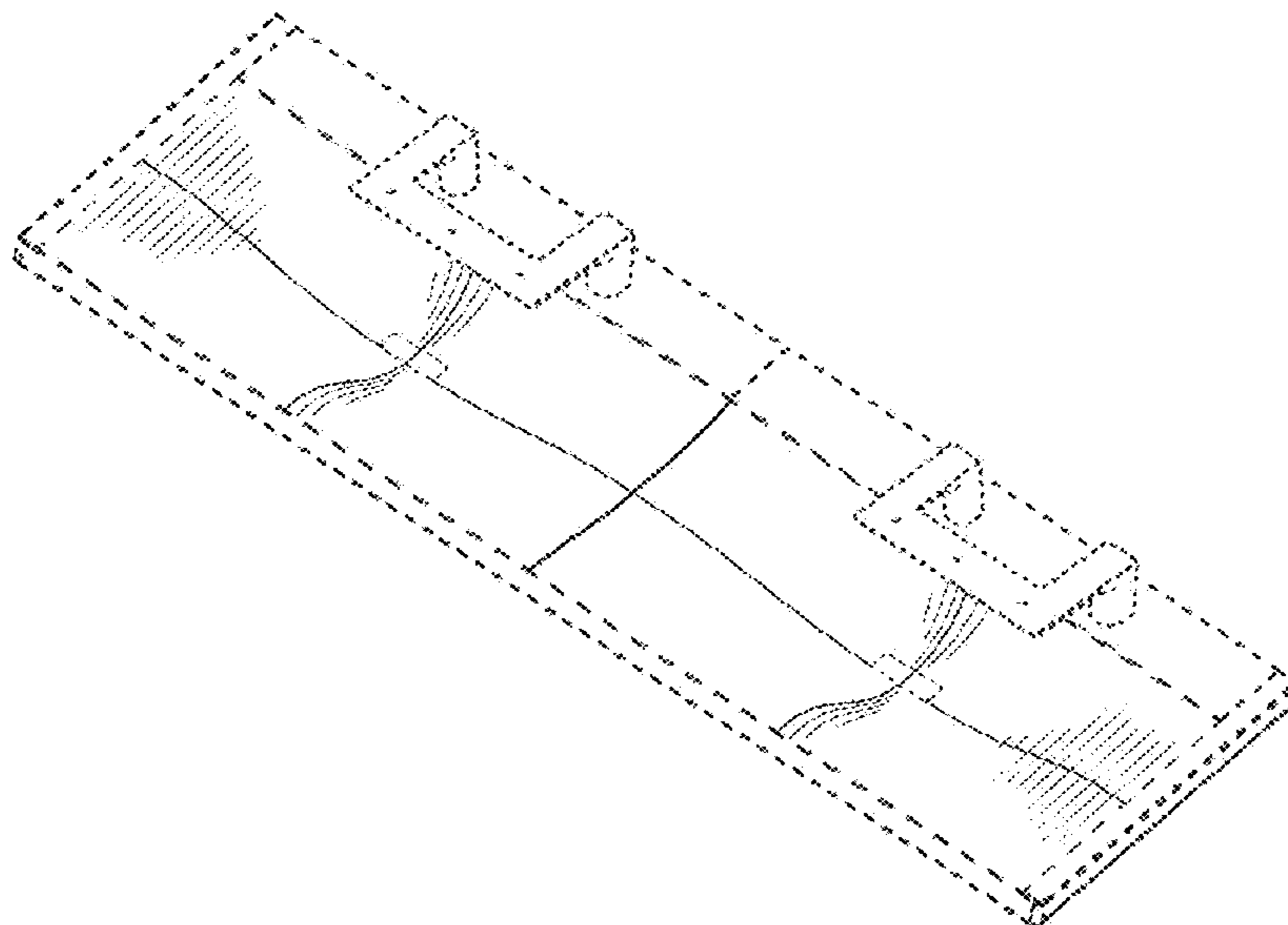
The ornamental design for a basin, substantially, as shown and described.

DESCRIPTION

FIG. 1 is a raised perspective view of a basin having mounted thereon a pair of lavatory fixtures;
FIG. 2 is a rear perspective view of the basin of the embodiment as shown in FIG. 1;
FIG. 3 is a front view of the basin of the embodiment is shown in FIG. 1;
FIG. 4 is a rear view of the basin of the embodiment as shown in FIG. 1;
FIG. 5 is a top view of the basin of the embodiment as shown in FIG. 1; and,
FIG. 6 is a side view of the basin of the embodiment as shown in FIG. 1.

Any broken lines represent environmental structure and form no part of the claimed design.

1 Claim, 2 Drawing Sheets



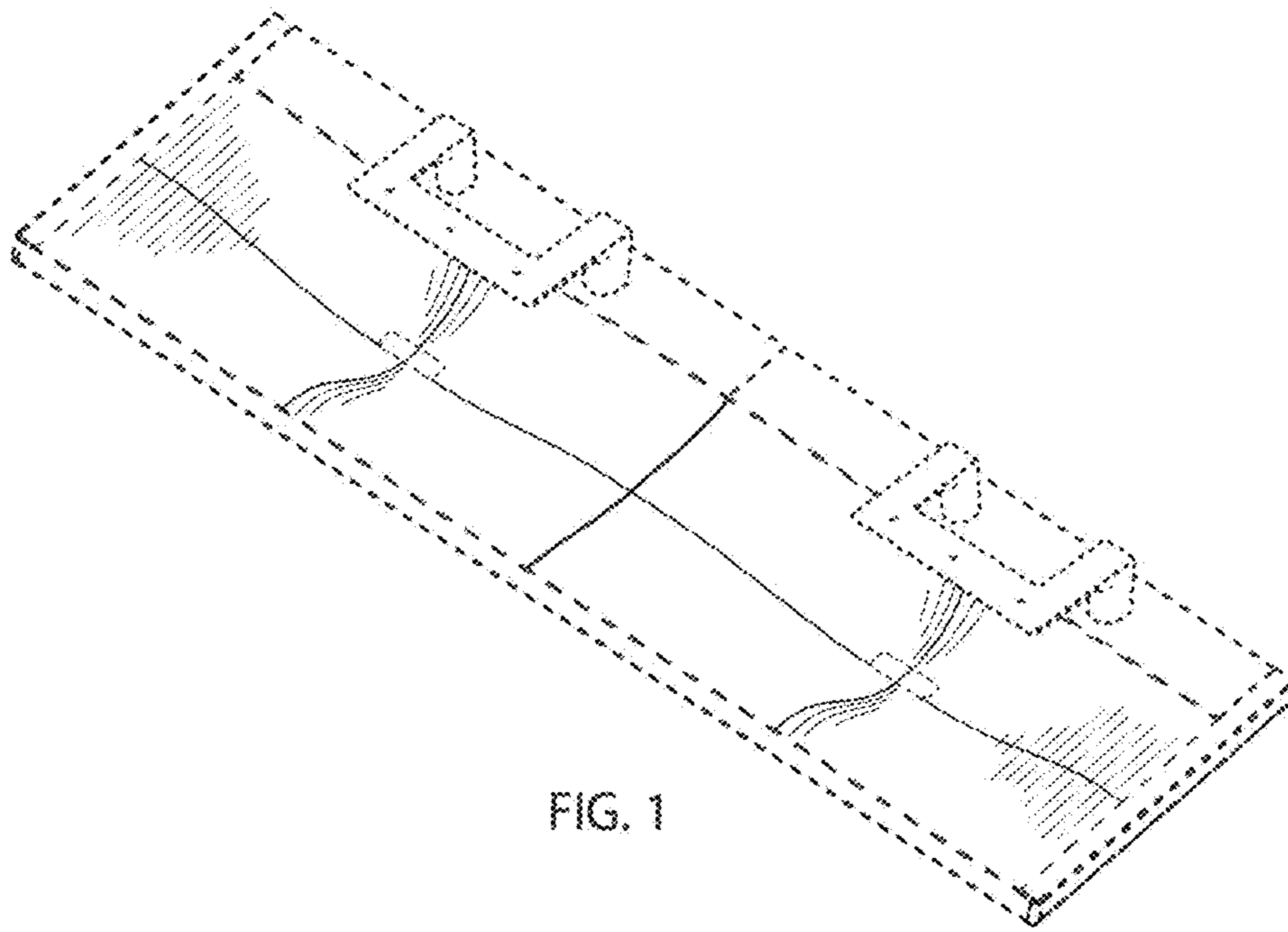


FIG. 1

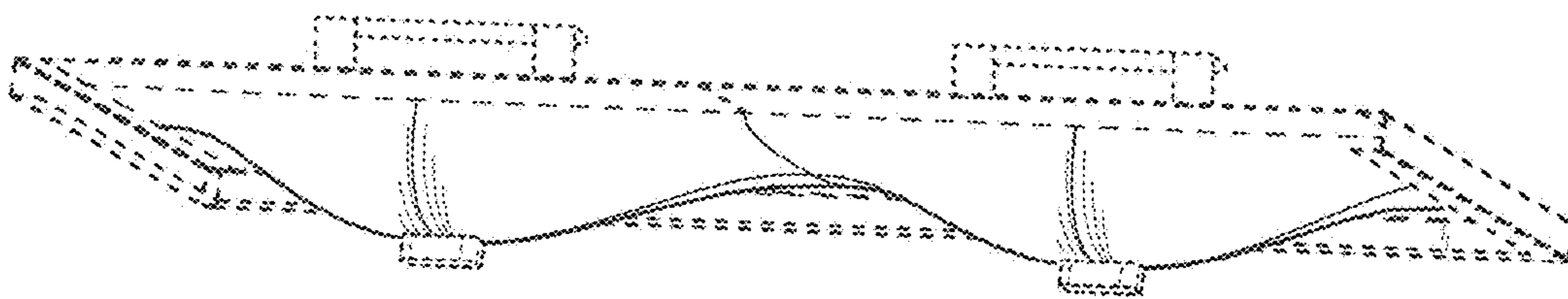


FIG. 2

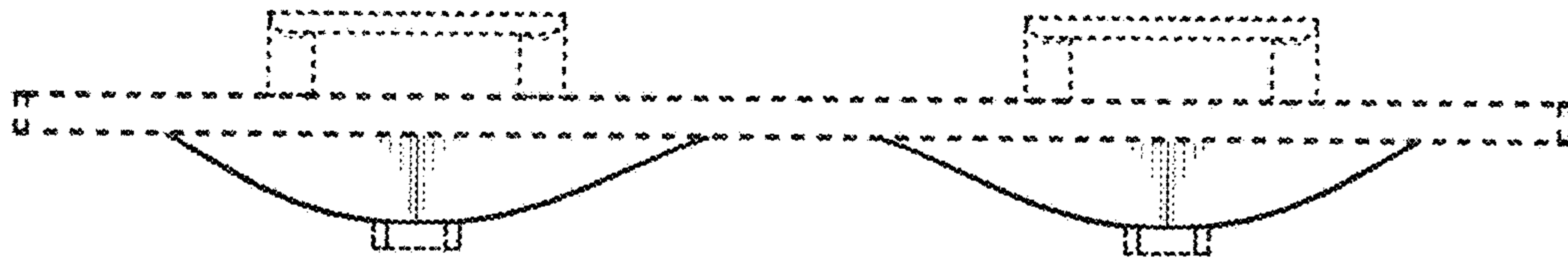


FIG. 3



FIG. 4

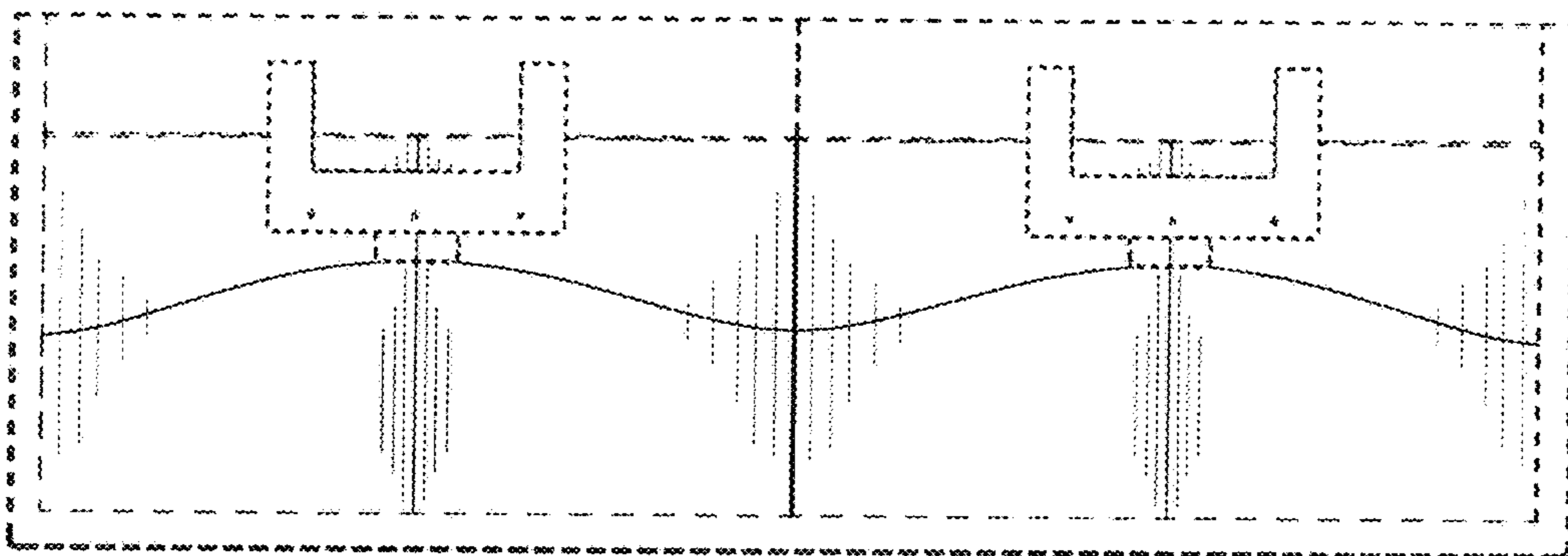


FIG. 5

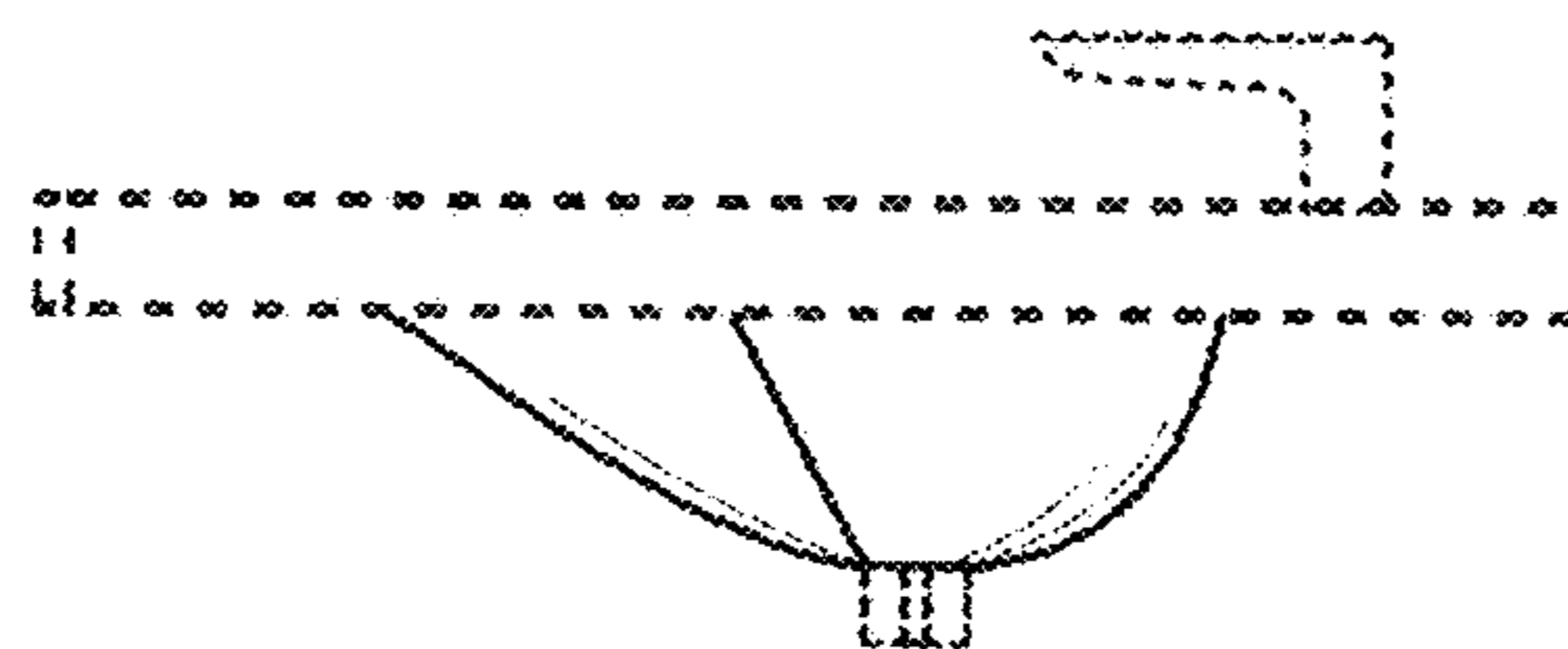


FIG. 6