



US00D813995S

(12) **United States Design Patent**
Schoenherr et al.

(10) **Patent No.:** **US D813,995 S**
(45) **Date of Patent:** **** Mar. 27, 2018**

(54) **SHOWER CONTROL PANEL**

FOREIGN PATENT DOCUMENTS

- (71) Applicant: **Hansgrohe SE**, Schiltach (DE)
- (72) Inventors: **Tom Schoenherr**, Stuttgart (DE);
Matthias Oesterle, Winterbach (DE);
Marco Flaig, Stuttgart (DE)
- (73) Assignee: **Hansgrohe SE**, Schiltach (DE)
- (**) Term: **15 Years**
- (21) Appl. No.: **29/609,730**
- (22) Filed: **Jul. 5, 2017**

EM	001291439-0001	8/2011
EM	001291439-0002	8/2011
EM	001291439-0003	8/2011
EM	001291439-0004	8/2011
EM	002594630-0002	12/2014
EM	002594630-0003	12/2014
EM	002594630-0004	12/2014
EM	002594630-0005	12/2014
EM	002594630-0006	12/2014
EM	002594630-0007	12/2014
EM	002594630-0008	12/2014
EM	002594630-0009	12/2014
EM	002594630-0010	12/2014
EM	002594630-0001	12/2014
EM	003491828-0003	11/2016

* cited by examiner

(30) **Foreign Application Priority Data**

Jan. 13, 2017 (EM) 003622000-0016

(51) **LOC (11) Cl.** **23-01**

(52) **U.S. Cl.**
USPC **D23/254**

(58) **Field of Classification Search**
USPC D23/238-243, 249-250, 252, 254, 304;
D8/300, 353
CPC Y10T 137/9464
See application file for complete search history.

(56) **References Cited**

U.S. PATENT DOCUMENTS

D509,564 S *	9/2005	Jorgensen	D23/238
D725,234 S *	3/2015	Barber	D23/254
D755,129 S *	5/2016	Page	D13/139.4
D761,391 S *	7/2016	Schoenherr	D23/254
D764,028 S *	8/2016	Schoenherr	D23/254

Primary Examiner — Robert A Delehanty

(74) *Attorney, Agent, or Firm* — Lora J. Graentzdoerffer

(57) **CLAIM**

The ornamental design for a shower control panel, as shown and described.

DESCRIPTION

FIG. 1 is a perspective view;
FIG. 2 is a front elevation view;
FIG. 3 is a rear elevation view;
FIG. 4 is a right side elevation view;
FIG. 5 is a left side elevation view;
FIG. 6 is a top plan view; and,
FIG. 7 is a bottom plan view.
The broken lines indicate portions of the shower control panel that form no part of the claimed design.

1 Claim, 7 Drawing Sheets

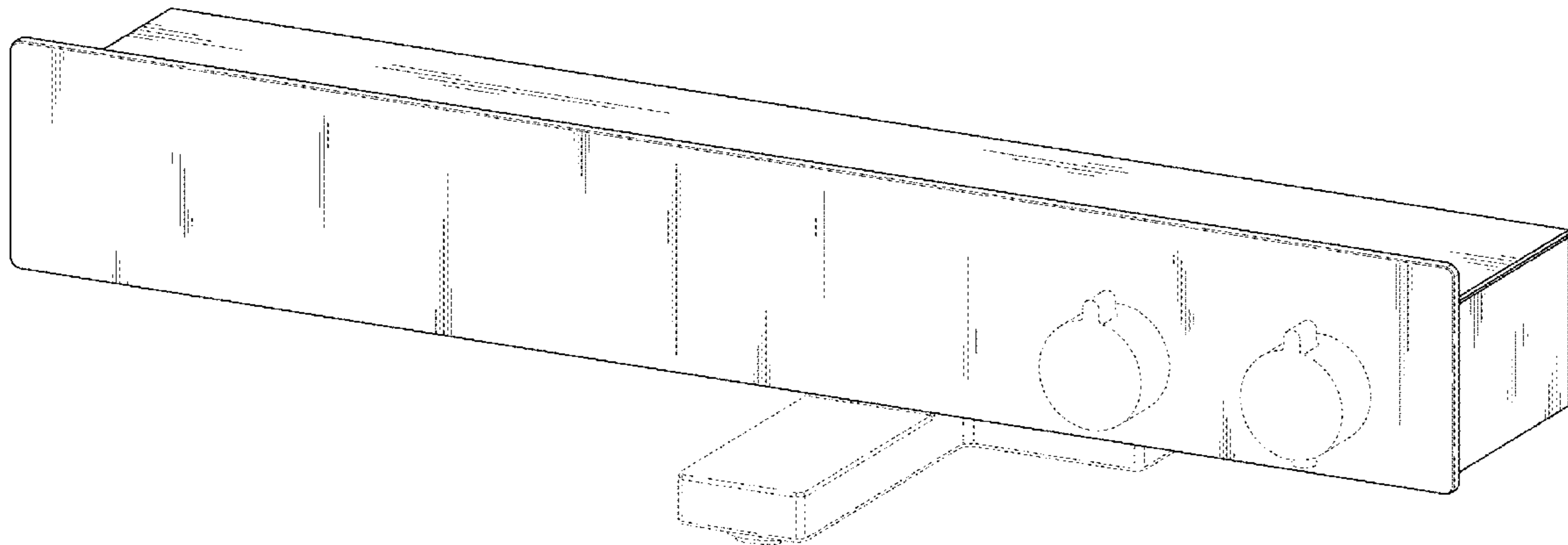


FIG. 1

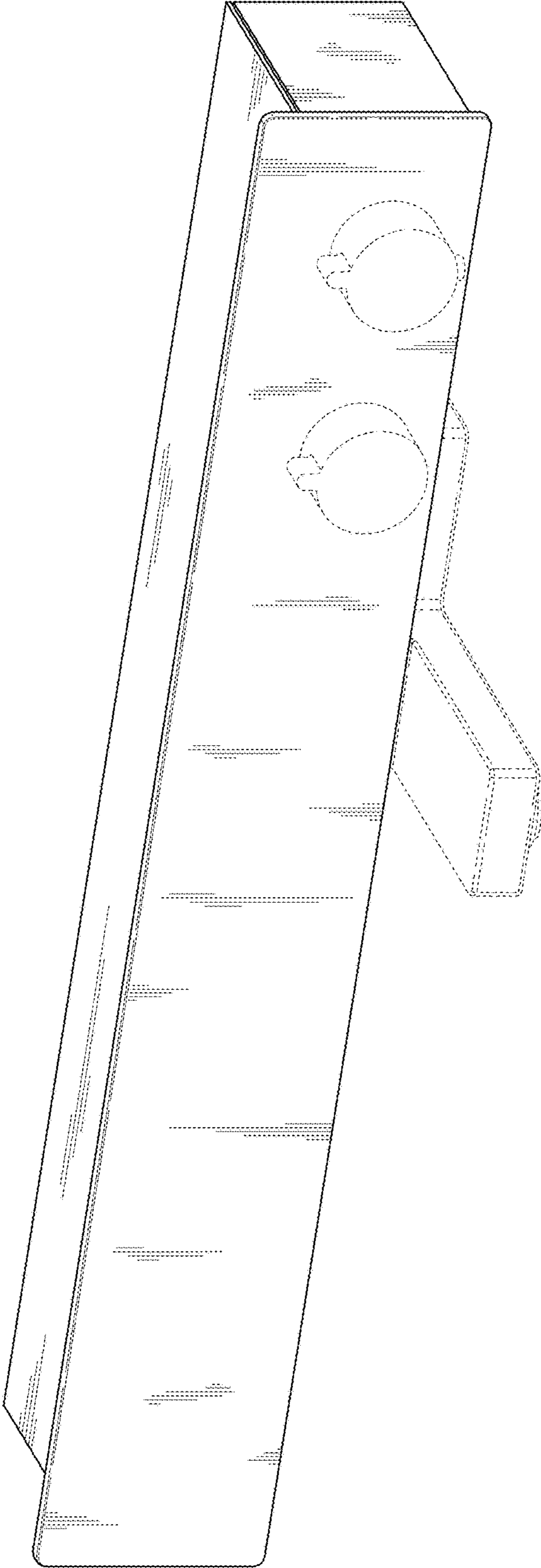


FIG. 2

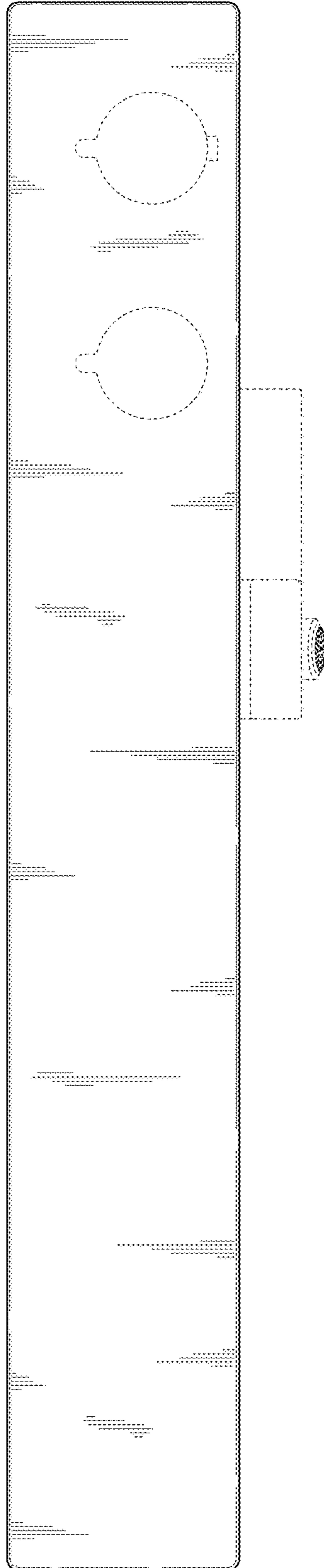


FIG. 3

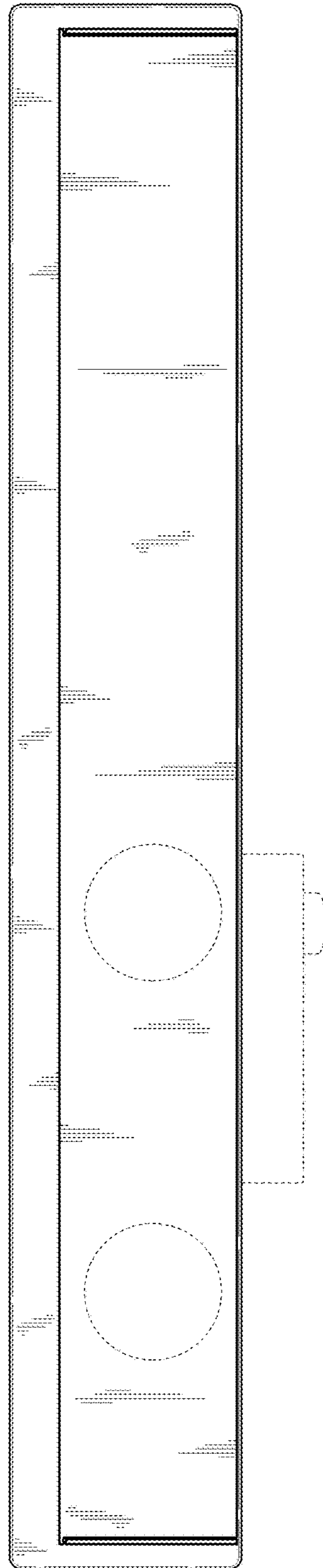


FIG. 4

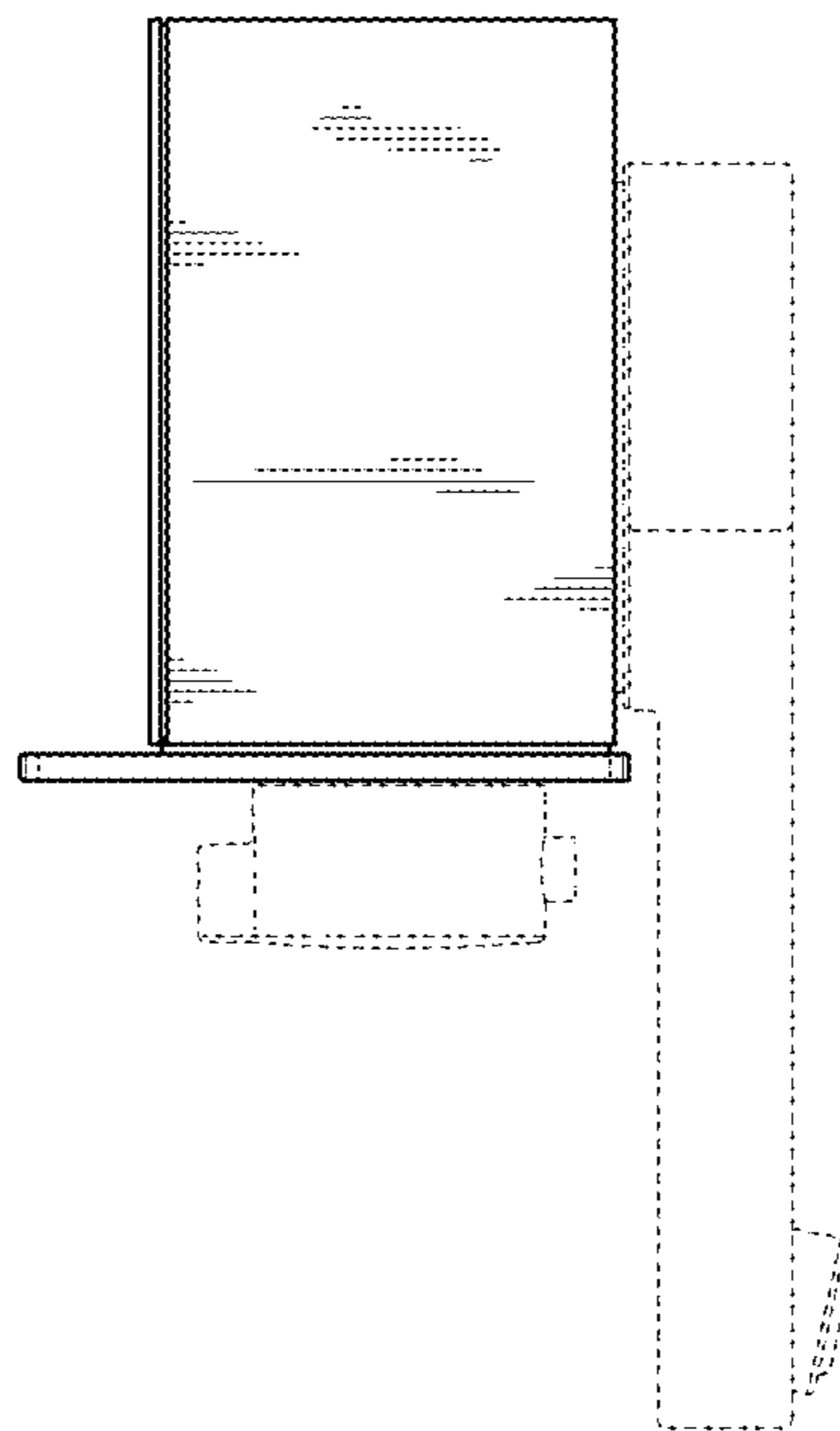


FIG. 5

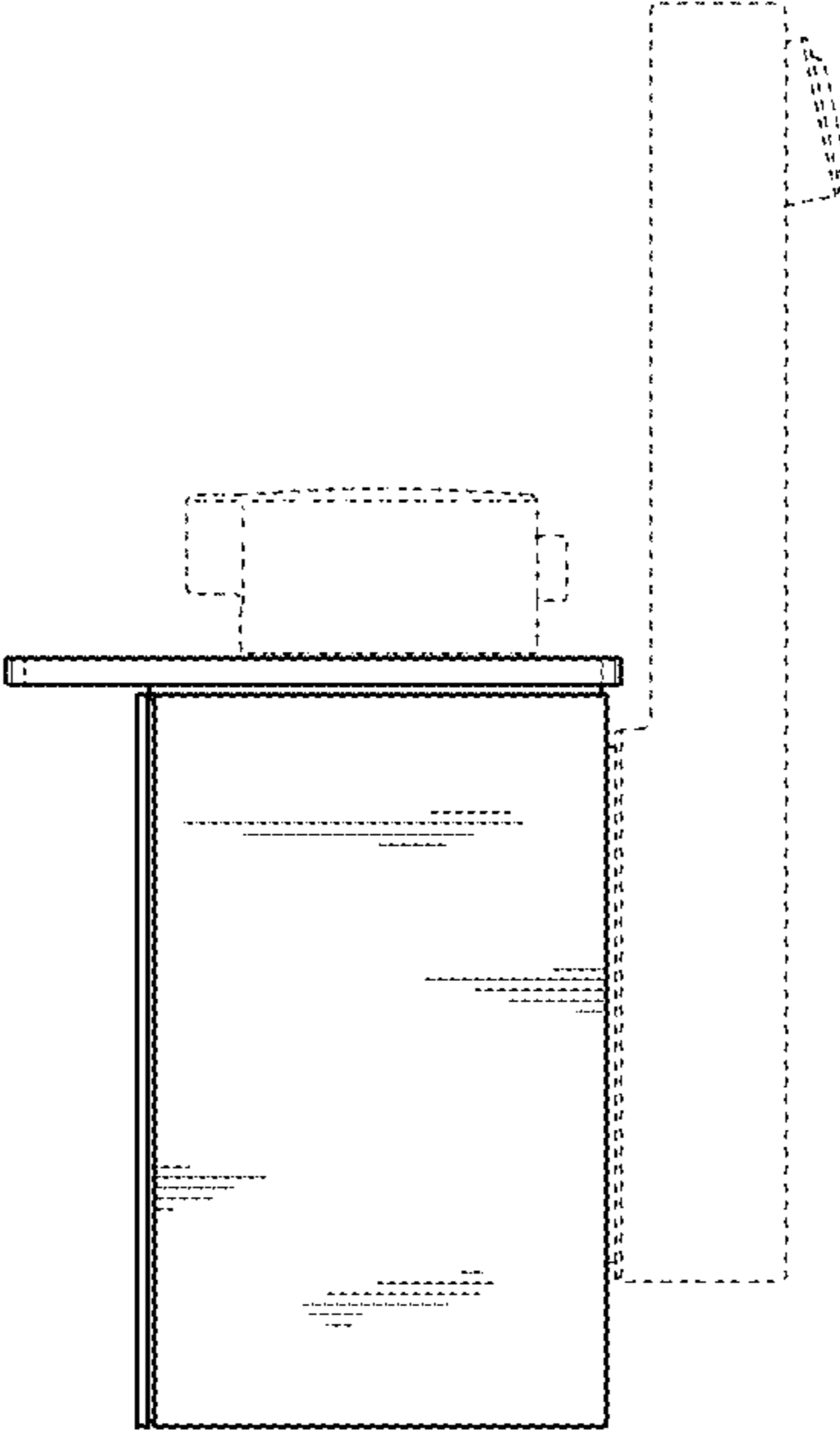


FIG. 6

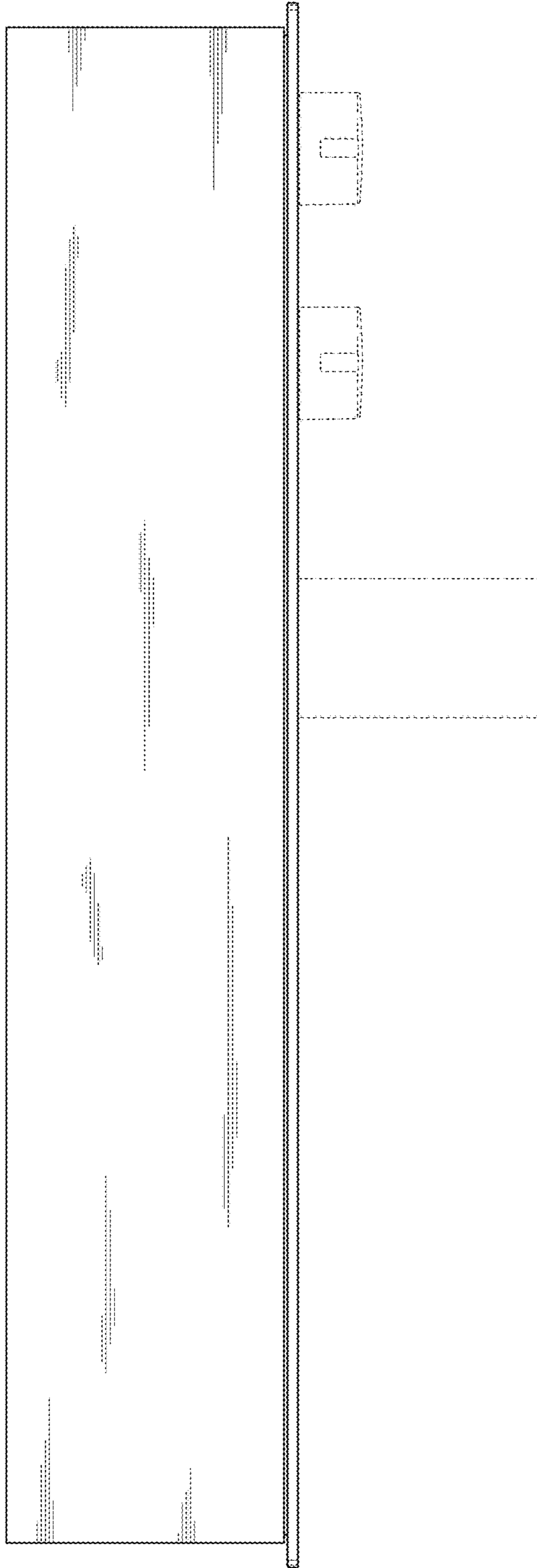


FIG. 7

