



US00D813994S

(12) **United States Design Patent** (10) **Patent No.:** **US D813,994 S**
Schoenherr et al. (45) **Date of Patent:** **** Mar. 27, 2018**

(54) **SHOWER CONTROL PANEL**
(71) Applicant: **Hansgrohe SE**, Schiltach (DE)
(72) Inventors: **Tom Schoenherr**, Stuttgart (DE);
Matthias Oesterle, Winterbach (DE);
Marco Flaig, Stuttgart (DE)
(73) Assignee: **Hansgrohe SE**, Schiltach (DE)
(**) Term: **15 Years**

EM 002594630-0002 12/2014
EM 002594630-0003 12/2014
EM 002594630-0004 12/2014
EM 002594630-0005 12/2014
EM 002594630-0006 12/2014
EM 002594630-0007 12/2014
EM 002594630-0008 12/2014
EM 002594630-0009 12/2014
EM 002594630-0010 12/2014
EM 003231604-0005 6/2016
EM 003491828-0003 11/2016

(21) Appl. No.: **29/609,728**
(22) Filed: **Jul. 5, 2017**

(30) **Foreign Application Priority Data**

Jan. 13, 2017 (EM) 003622000-0015

(51) **LOC (11) Cl.** **23-01**
(52) **U.S. Cl.**
USPC **D23/254**
(58) **Field of Classification Search**
USPC D23/238–243, 249–250, 252, 254, 304;
D8/350, 353
CPC Y10T 137/9464
See application file for complete search history.

(56) **References Cited**

U.S. PATENT DOCUMENTS

D509,564 S * 9/2005 Jorgensen D23/238
D677,364 S * 3/2013 Schoenherr D23/238
D725,234 S * 3/2015 Barber D23/254
D755,129 S * 5/2016 Page D13/139.4
D764,028 S * 8/2016 Schoenherr D23/254

FOREIGN PATENT DOCUMENTS

EM 002329748-0003 10/2013
EM 002594630-0001 12/2014

OTHER PUBLICATIONS

Brochure—Jado Freedom of Expression, 26 pgs, Ideal Standard GmbH, Bonn, Germany, at least as early as Mar. 7, 2012.

* cited by examiner

Primary Examiner — Robert A Delehanty

(74) *Attorney, Agent, or Firm* — Lora J. Graentzdoerffer

(57) **CLAIM**

The ornamental design for a shower control panel, as shown and described.

DESCRIPTION

FIG. 1 is a perspective view;
FIG. 2 is a front elevation view;
FIG. 3 is rear elevation view;
FIG. 4 is a right side elevation view;
FIG. 5 is left side elevation view;
FIG. 6 is a top plan view; and,
FIG. 7 is a bottom plan view.

The broken lines indicate portions of the shower control panel that form no part of the claimed design

1 Claim, 7 Drawing Sheets

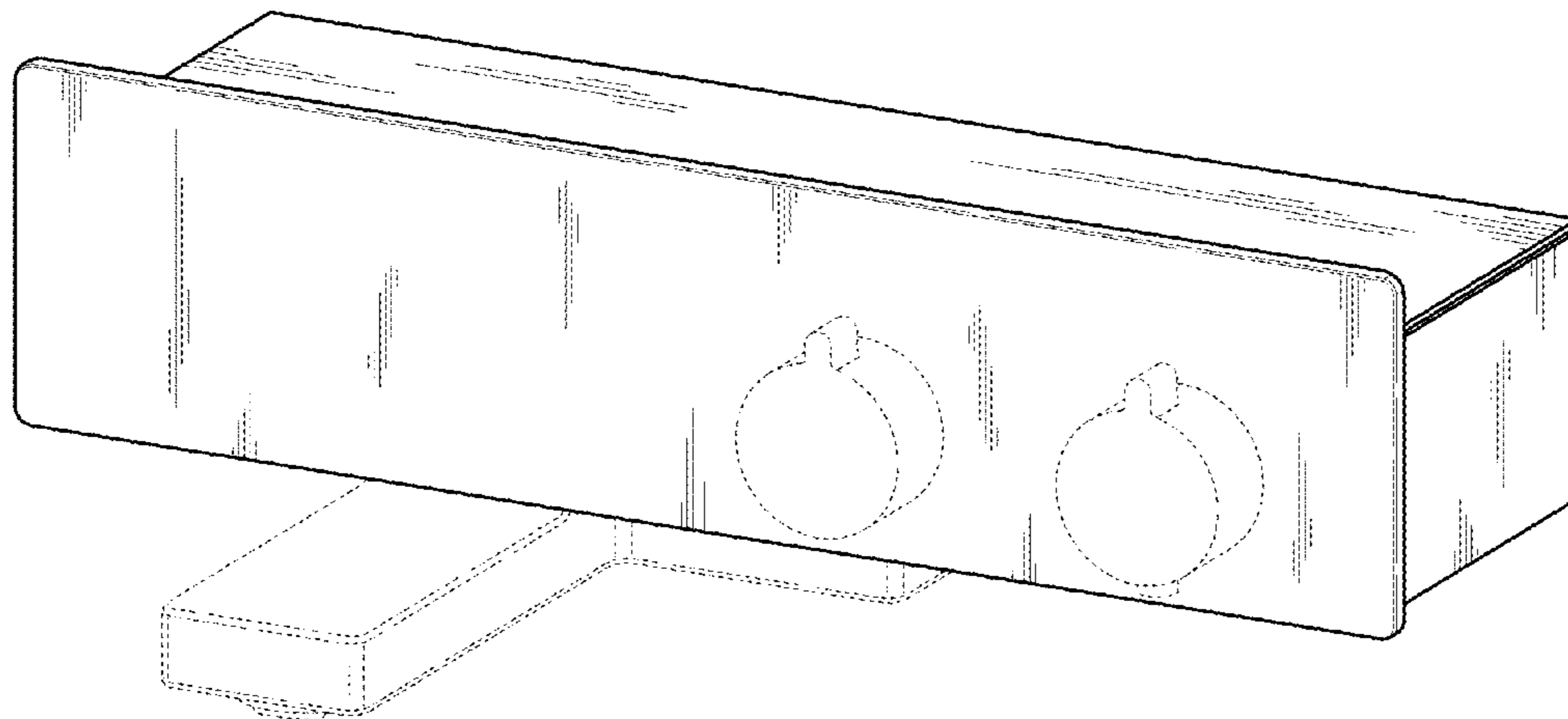


FIG. 1

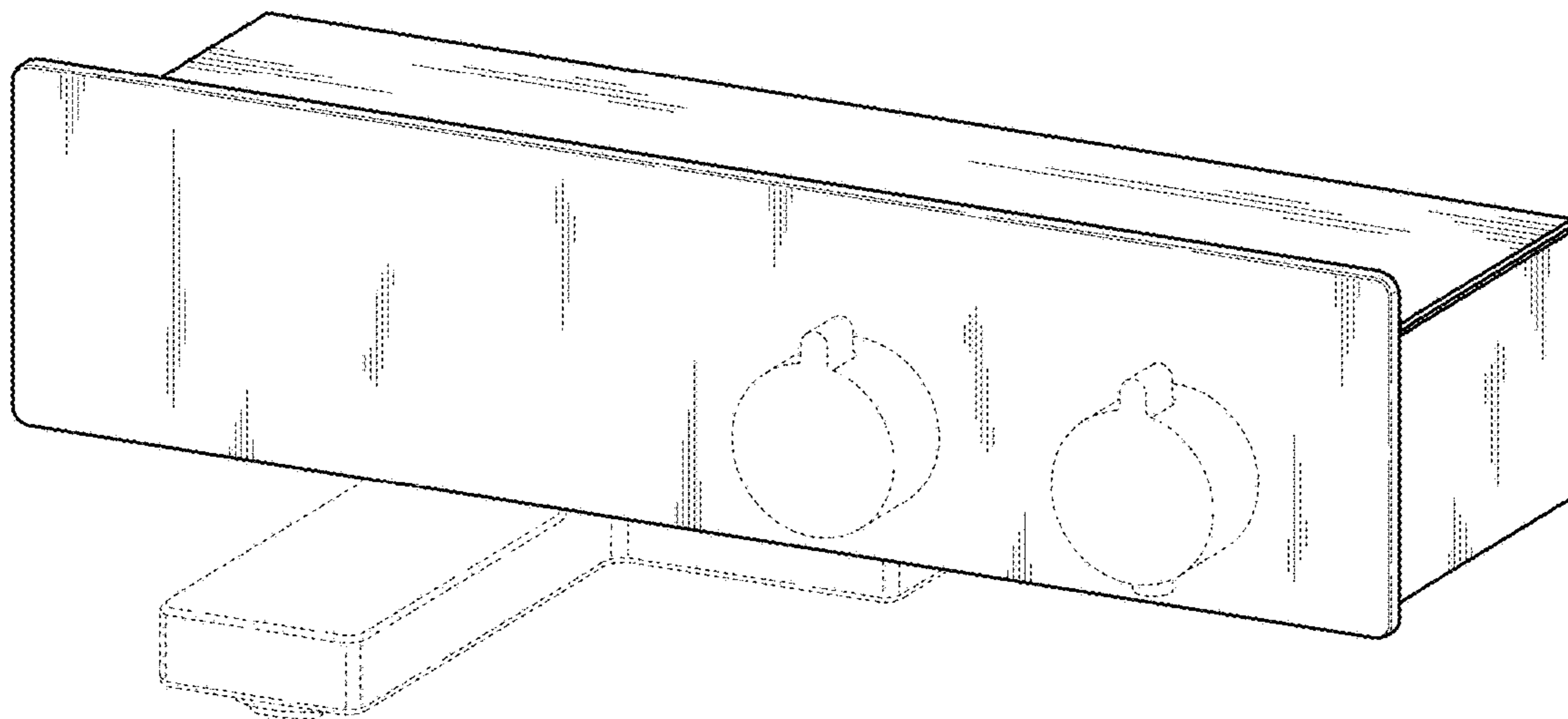


FIG. 2

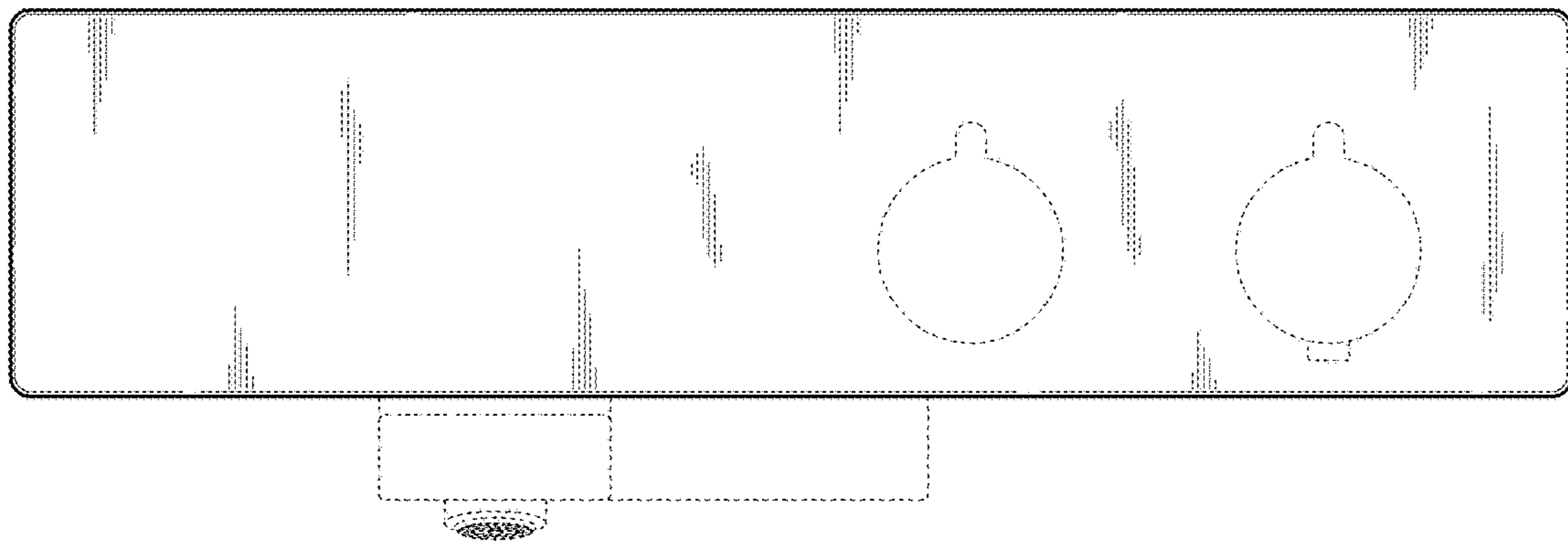


FIG. 3

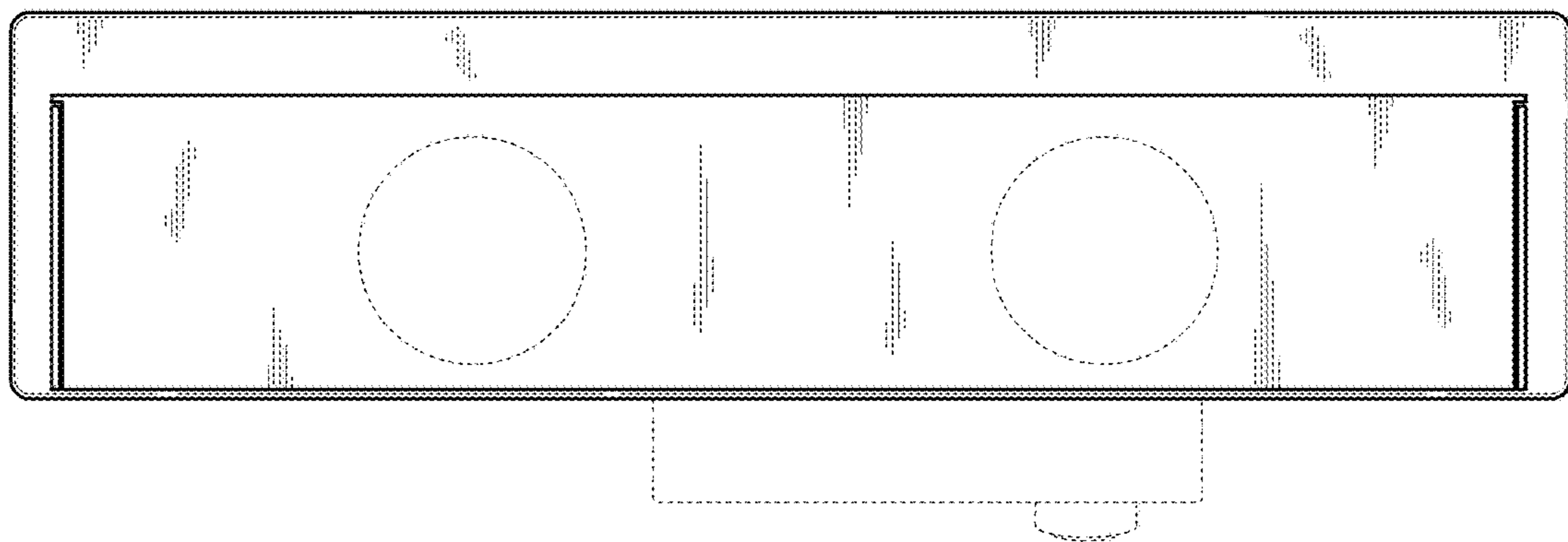


FIG. 4

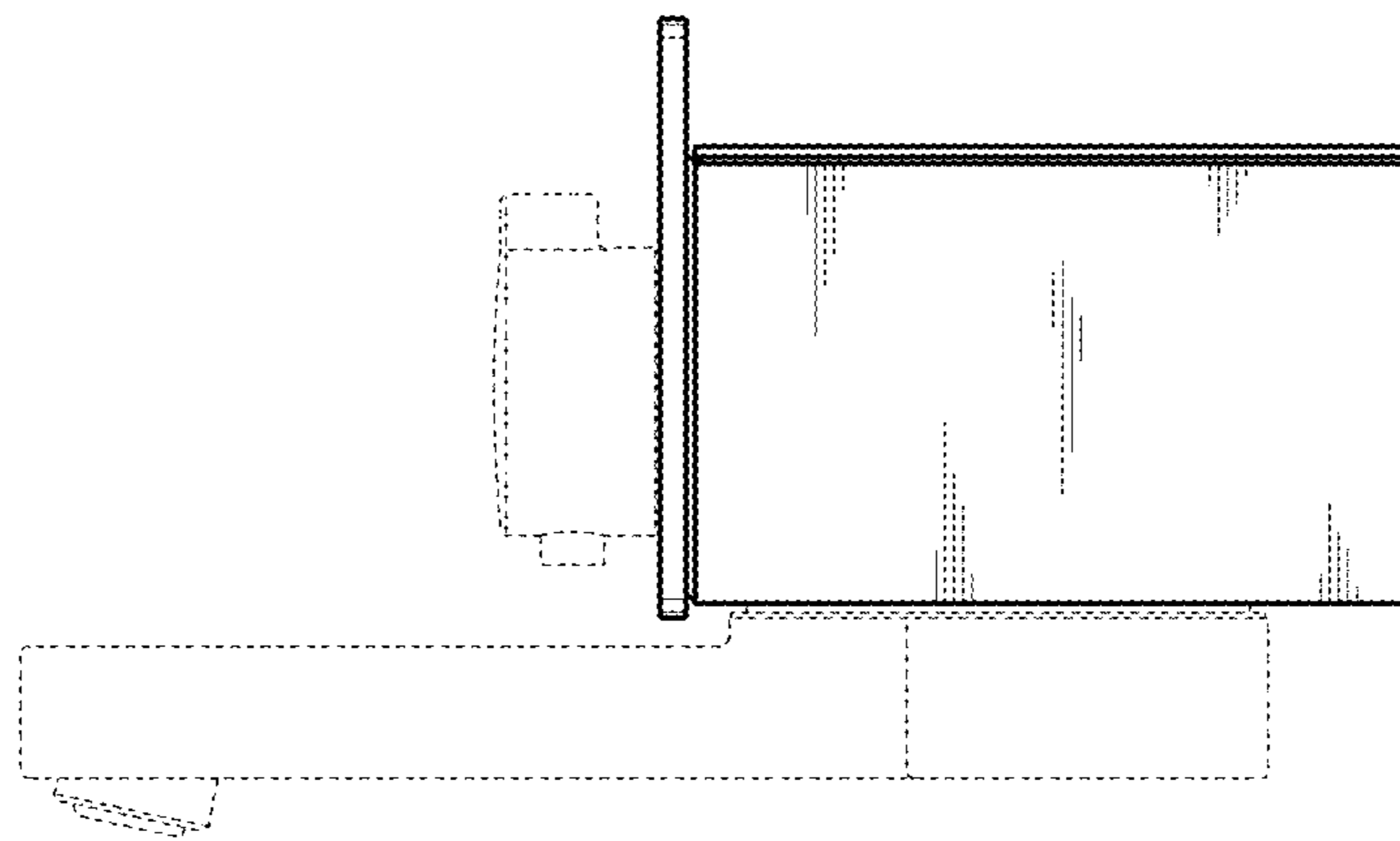


FIG. 5

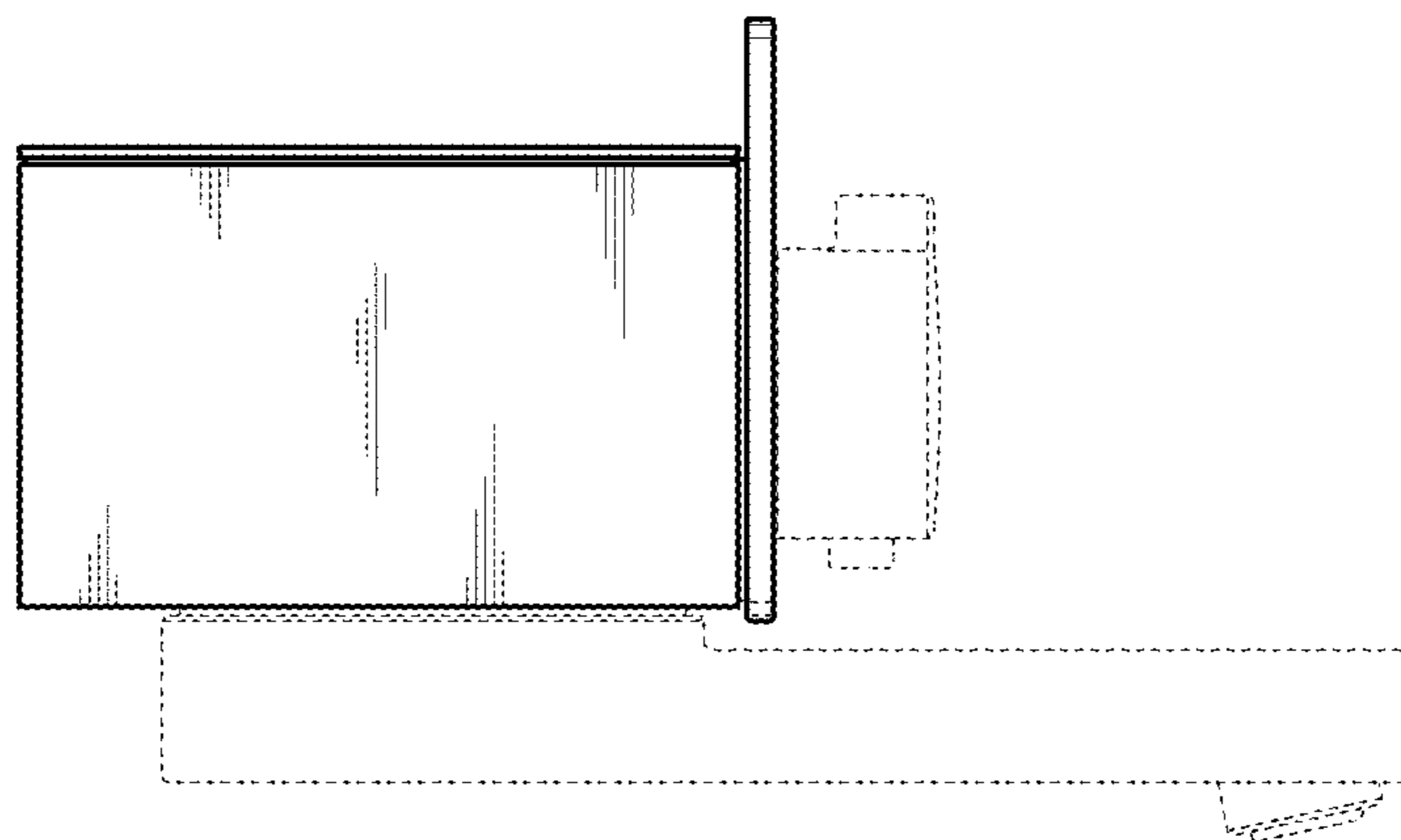


FIG. 6

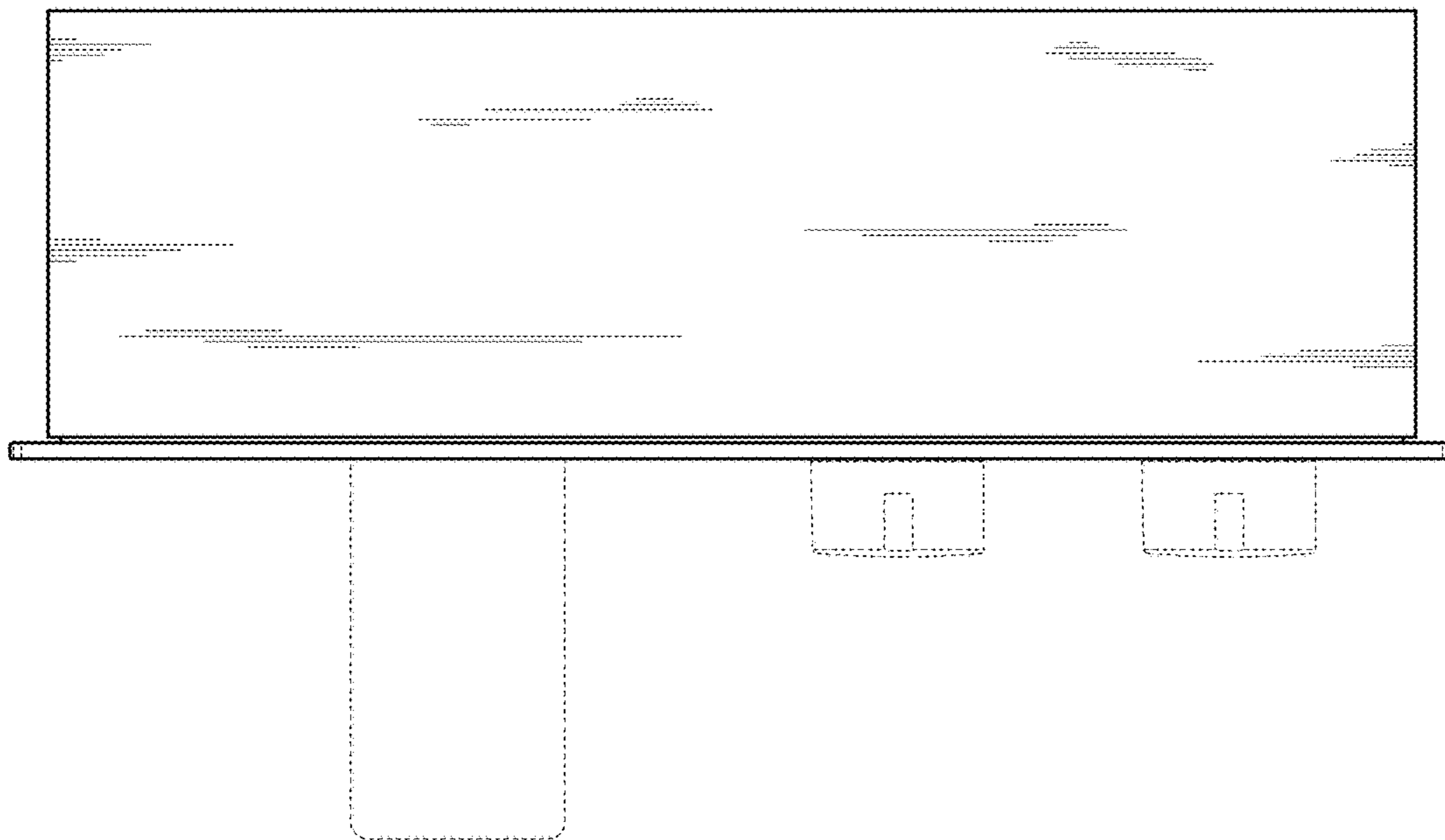


FIG. 7

