



US00D813991S

(12) **United States Design Patent**  
**Schoenherr et al.**

(10) **Patent No.:** **US D813,991 S**  
(45) **Date of Patent:** **\*\* Mar. 27, 2018**

(54) **SHOWER CONTROL PANEL**

CPC ..... Y10T 137/9464  
See application file for complete search history.

(71) Applicant: **Hansgrohe SE**, Schiltach (DE)

(56) **References Cited**

(72) Inventors: **Tom Schoenherr**, Stuttgart (DE);  
**Matthias Oesterle**, Winterbach (DE);  
**Marco Flaig**, Stuttgart (DE)

U.S. PATENT DOCUMENTS

D492,980 S \* 7/2004 Citterio ..... D23/304  
D648,825 S \* 11/2011 Ando ..... D23/304  
D677,365 S \* 3/2013 Schoenherr ..... D23/238  
D768,821 S \* 10/2016 Flowers ..... D23/228  
D806,512 S \* 1/2018 Chow ..... D8/311

(73) Assignee: **Hansgrohe SE**, Schiltach (DE)

\* cited by examiner

(\*\*) Term: **15 Years**

*Primary Examiner* — Robert A Delehanty

(21) Appl. No.: **29/606,421**

(74) *Attorney, Agent, or Firm* — Lora J. Graentzdoerffer

(22) Filed: **Jun. 5, 2017**

(57) **CLAIM**

The ornamental design for a shower control panel, as shown and described.

(30) **Foreign Application Priority Data**

**DESCRIPTION**

Dec. 13, 2016 (EM) ..... 003515543-0008

FIG. 1 is a perspective view of a shower control panel showing our design;

(51) **LOC (11) Cl.** ..... **23-01**

FIG. 2 is a front elevation view;

(52) **U.S. Cl.**

FIG. 3 is a rear elevation view;

USPC ..... **D23/254**

FIG. 4 is a right side elevation view;

(58) **Field of Classification Search**

FIG. 5 is a left side elevation view;

USPC ..... D23/228, 303–305, 283, 249–250, 252,

FIG. 6 is a top plan view; and,

D23/254; D8/300, 307–308, 310

FIG. 7 is a bottom plan view.

The broken-line disclosure in the views represents portions of the shower control panel in which the claimed design is embodied, but which form no part of the claimed design.

**1 Claim, 7 Drawing Sheets**

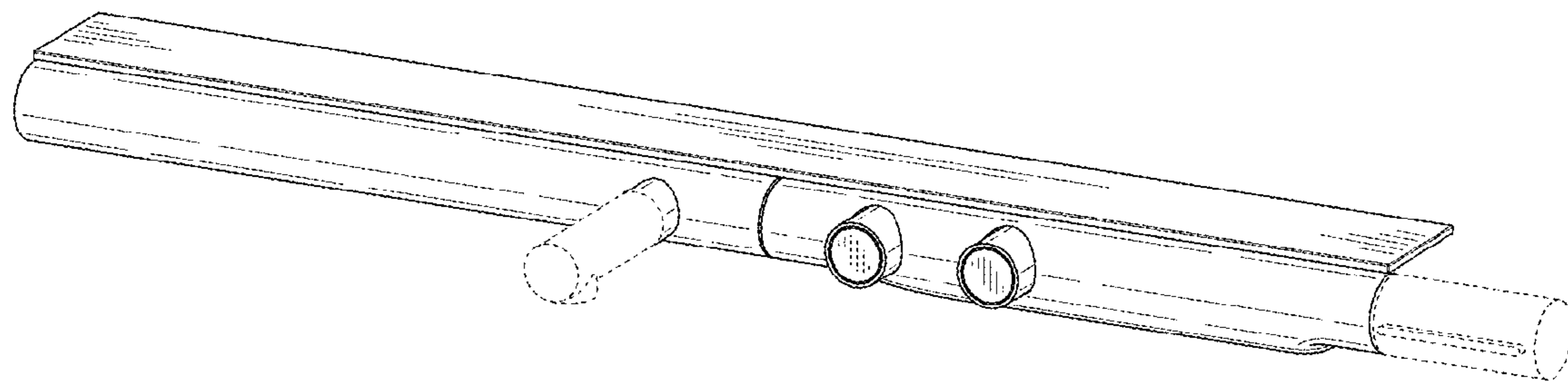


FIG. 1

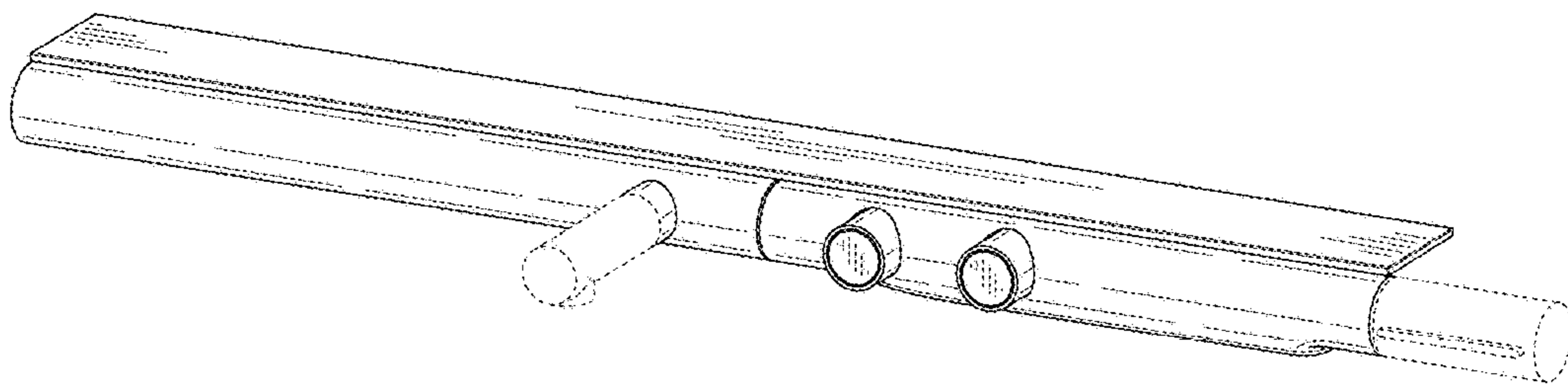


FIG. 2

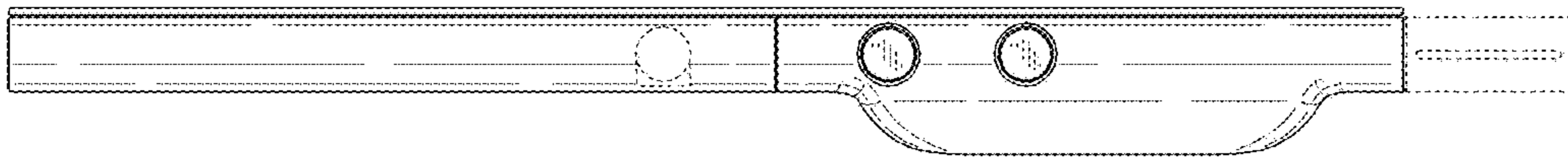


FIG. 3

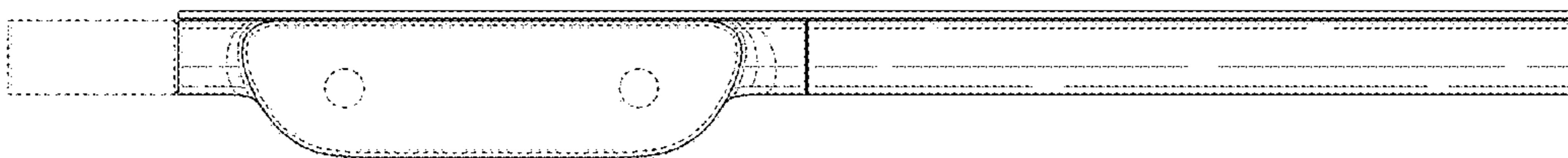


FIG. 4

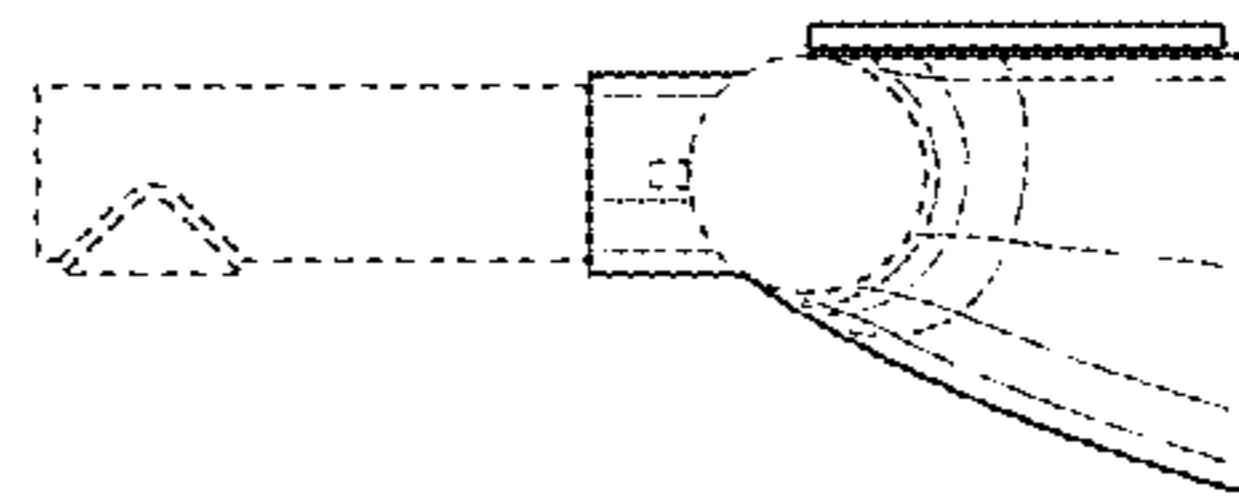


FIG. 5

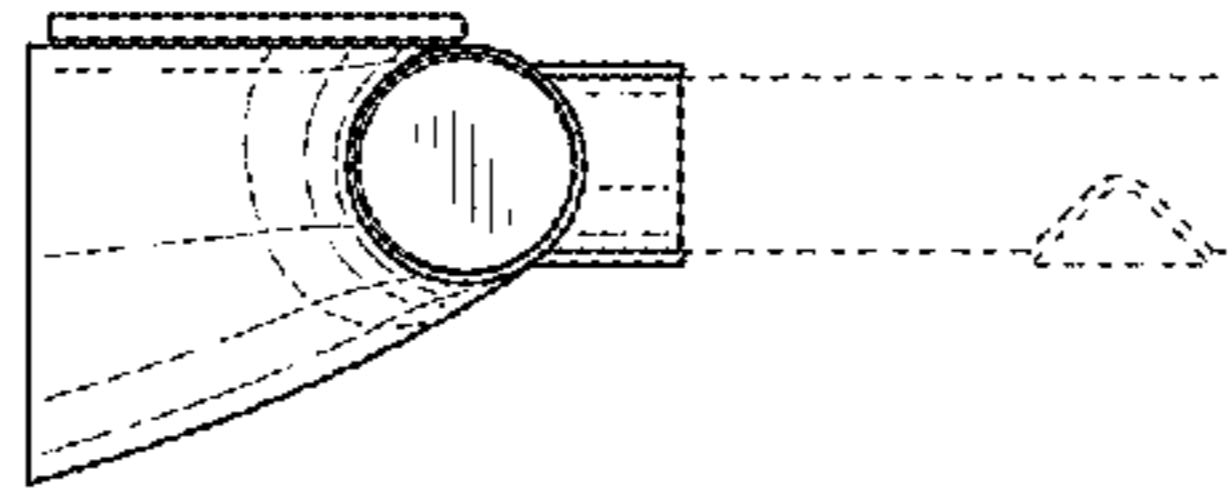


FIG. 6

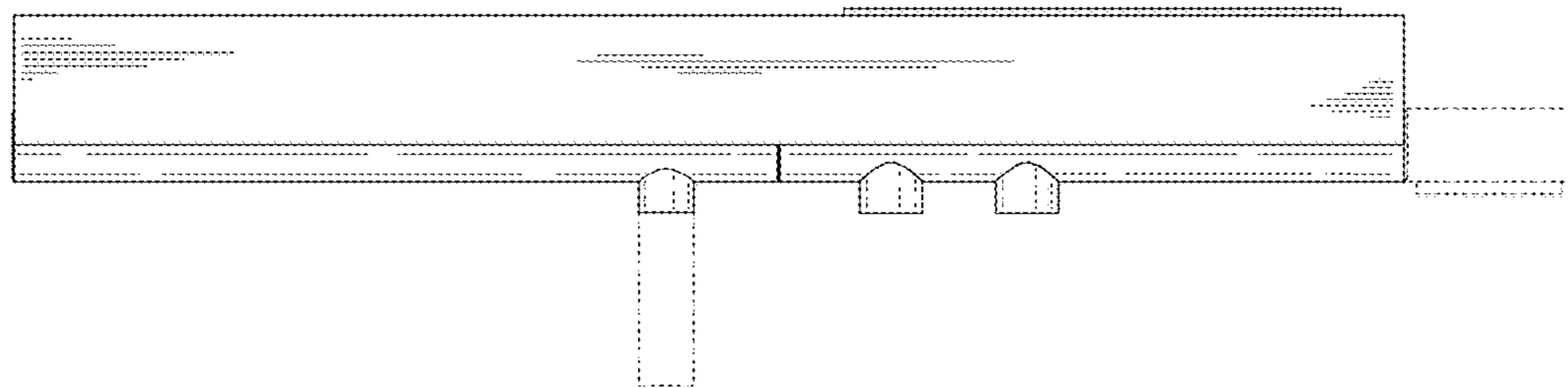


FIG. 7

