



US00D813990S

(12) **United States Design Patent**  
**Schoenherr et al.**

(10) **Patent No.:** **US D813,990 S**  
(45) **Date of Patent:** **\*\* Mar. 27, 2018**

- (54) **FAUCET**
- (71) Applicant: **HANSGROHE SE**, Schiltach (DE)
- (72) Inventors: **Tom Schoenherr**, Stuttgart (DE);  
**Andreas Diefenbach**,  
Ludwigsburg-Oßweil (DE)
- (73) Assignee: **Hansgrohe SE**, Schiltach (DE)
- (\*\*) Term: **15 Years**
- (21) Appl. No.: **29/587,599**
- (22) Filed: **Dec. 14, 2016**
- (30) **Foreign Application Priority Data**

Jun. 20, 2016 (EM) ..... 003229848-0005

- (51) **LOC (11) Cl.** ..... **23-01**
- (52) **U.S. Cl.**  
USPC ..... **D23/242**
- (58) **Field of Classification Search**  
USPC ..... D23/238-243, 249-250, 252, 254-255,  
D23/257; D8/307-308, 310  
CPC ..... Y10T 137/9464  
See application file for complete search history.

(56) **References Cited**

**U.S. PATENT DOCUMENTS**

- D291,238 S \* 8/1987 Haug ..... D23/252
- D331,450 S \* 12/1992 Haug ..... D23/252
- D342,988 S \* 1/1994 Jans ..... D23/252

- D535,360 S \* 1/2007 Noth ..... D23/238
- D541,385 S \* 4/2007 Haug ..... D23/252
- D666,276 S \* 8/2012 Fritz ..... D23/238
- D704,804 S \* 5/2014 Schoenherr ..... D23/242
- D734,836 S \* 7/2015 Flowers ..... D23/239

\* cited by examiner

*Primary Examiner* — Robert A Delehanty

(74) *Attorney, Agent, or Firm* — Lora J. Graentzdoerffer

(57) **CLAIM**

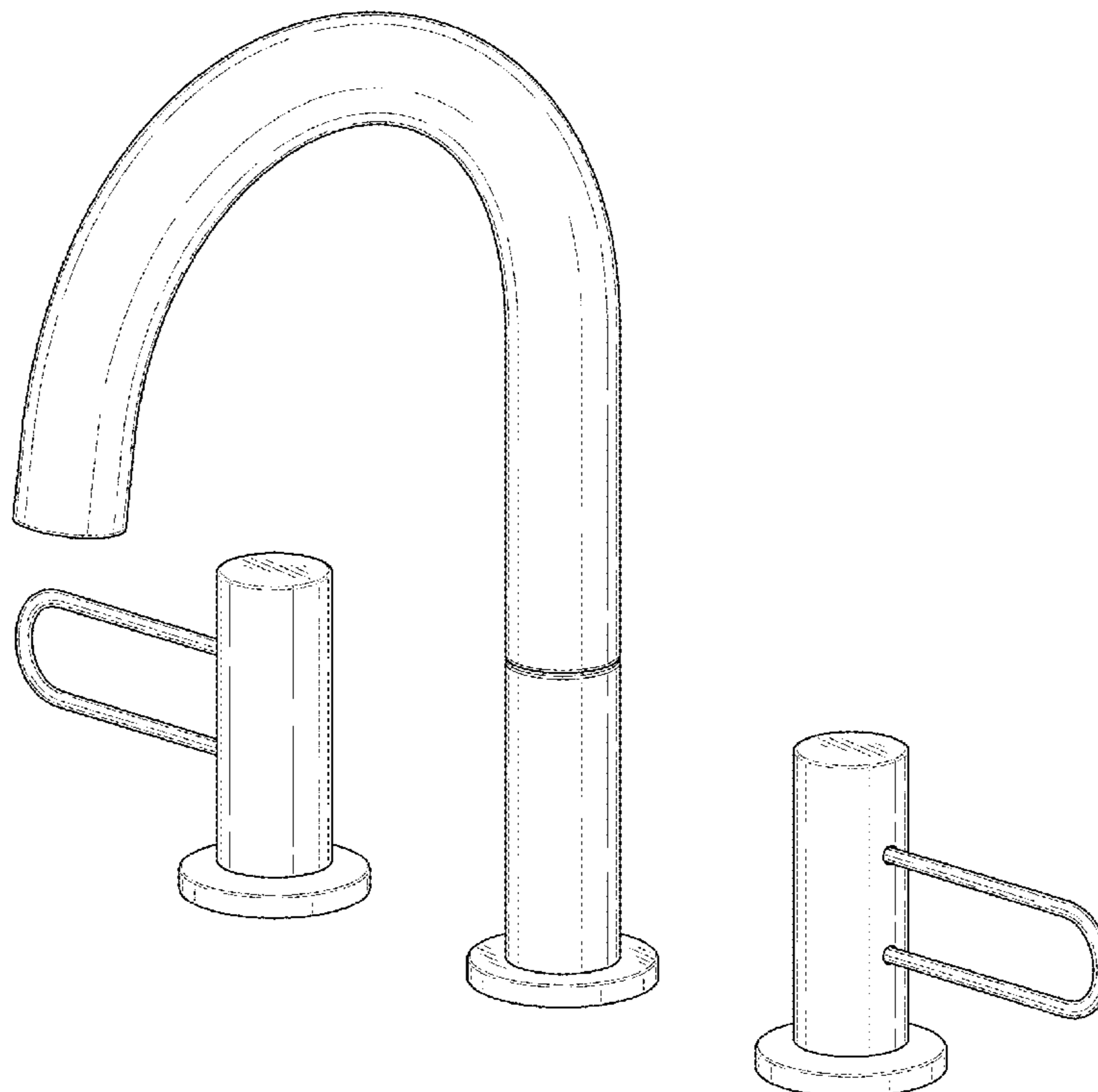
The ornamental design for a faucet, as shown and described.

**DESCRIPTION**

FIG. 1 is a perspective view;  
FIG. 2 is a front elevation view;  
FIG. 3 is a rear elevation view;  
FIG. 4 is a side elevation view;  
FIG. 5 is a top plan view; and,  
FIG. 6 is a bottom plan view.

The broken lines indicate portions of the faucet that form no part of the claimed design.

**1 Claim, 6 Drawing Sheets**



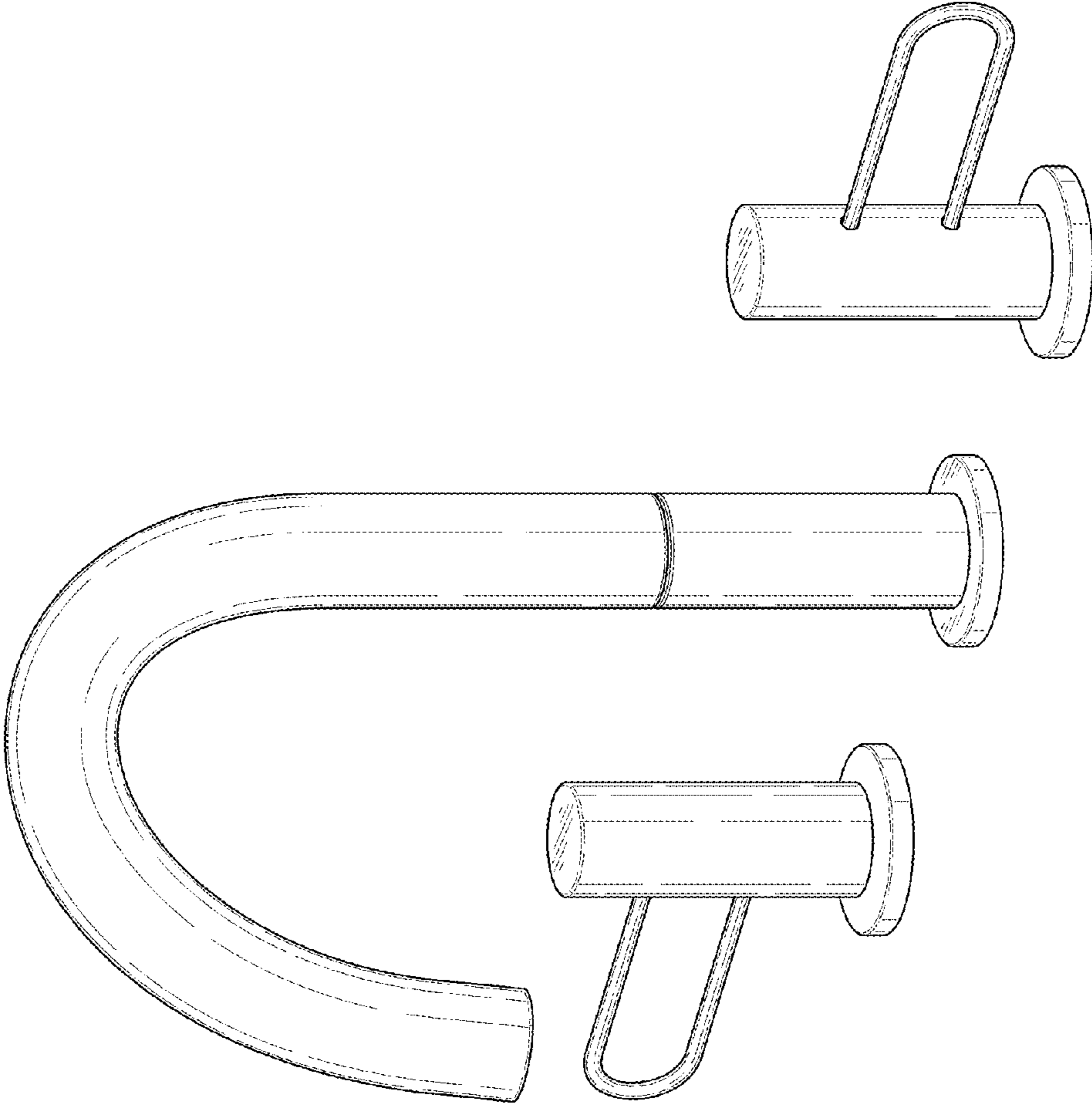


FIG. 1

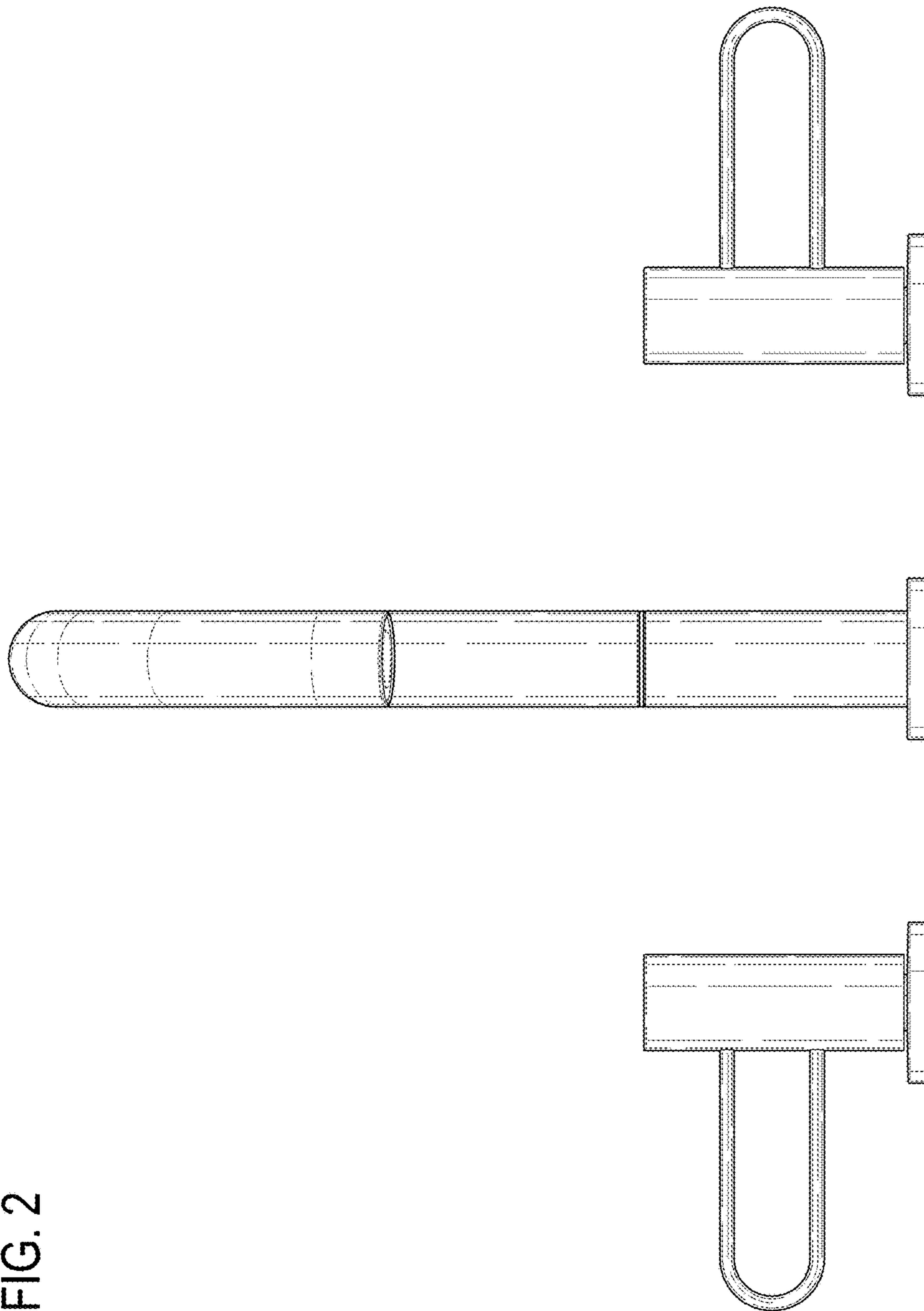


FIG. 2

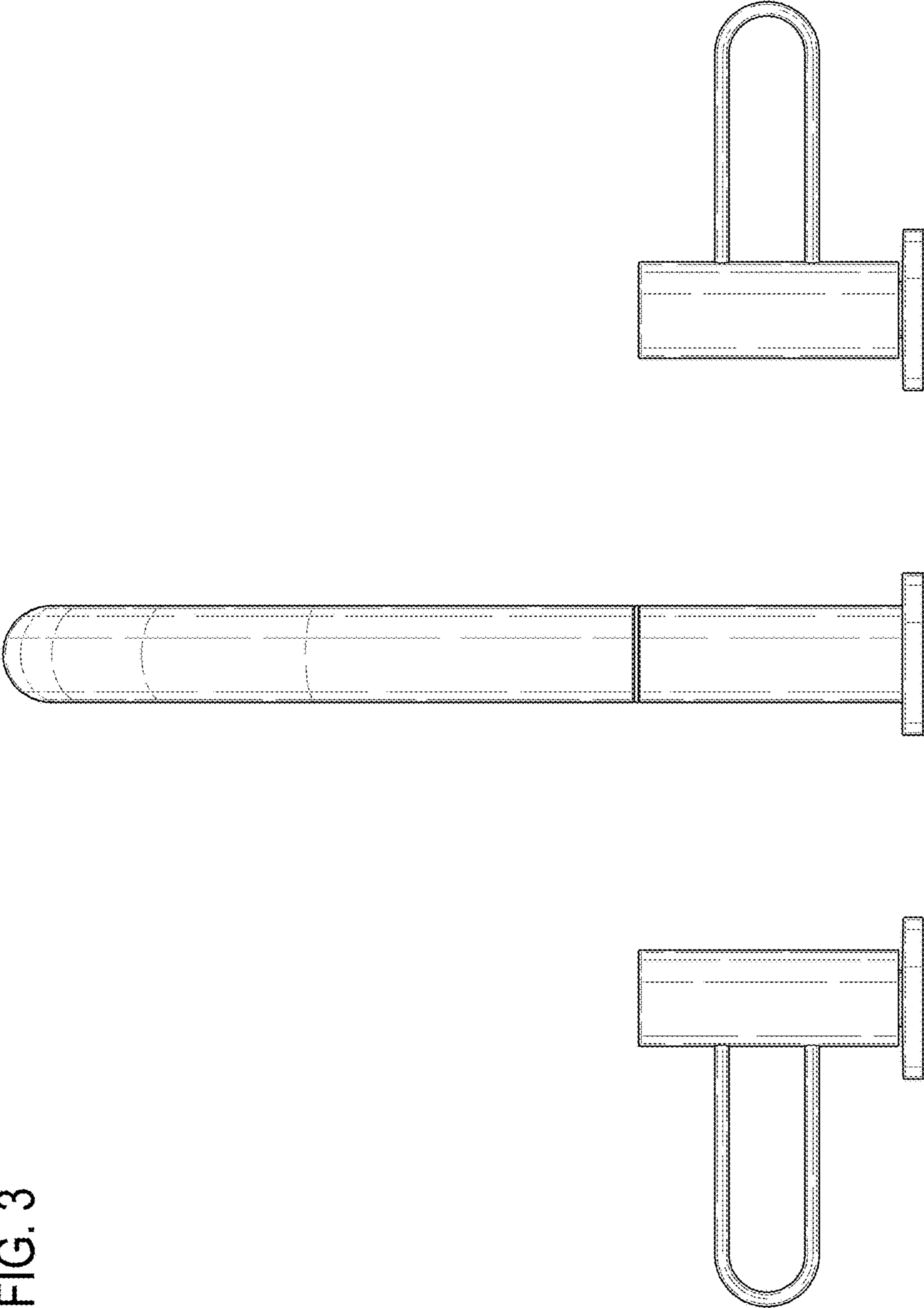


FIG. 3

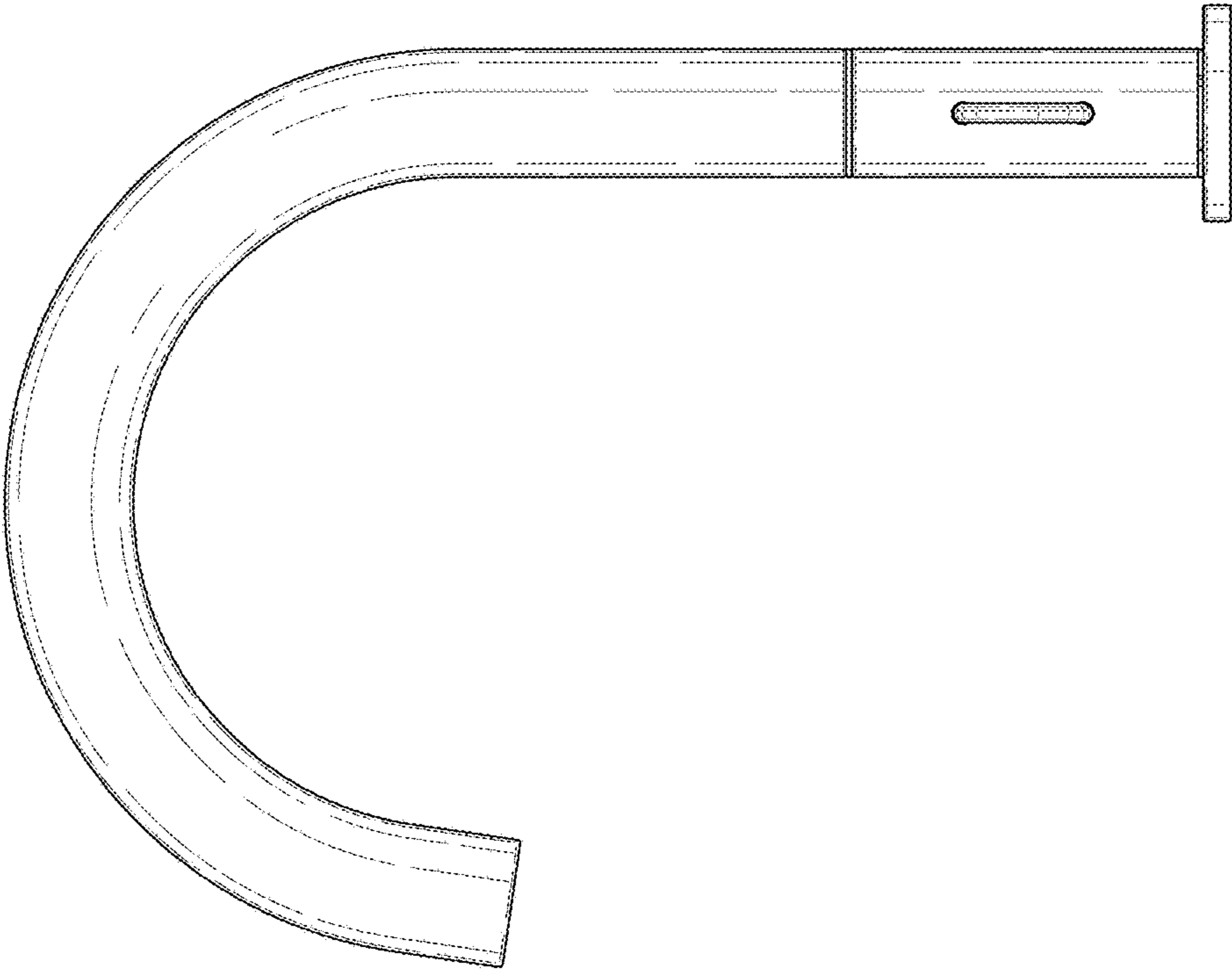


FIG. 4

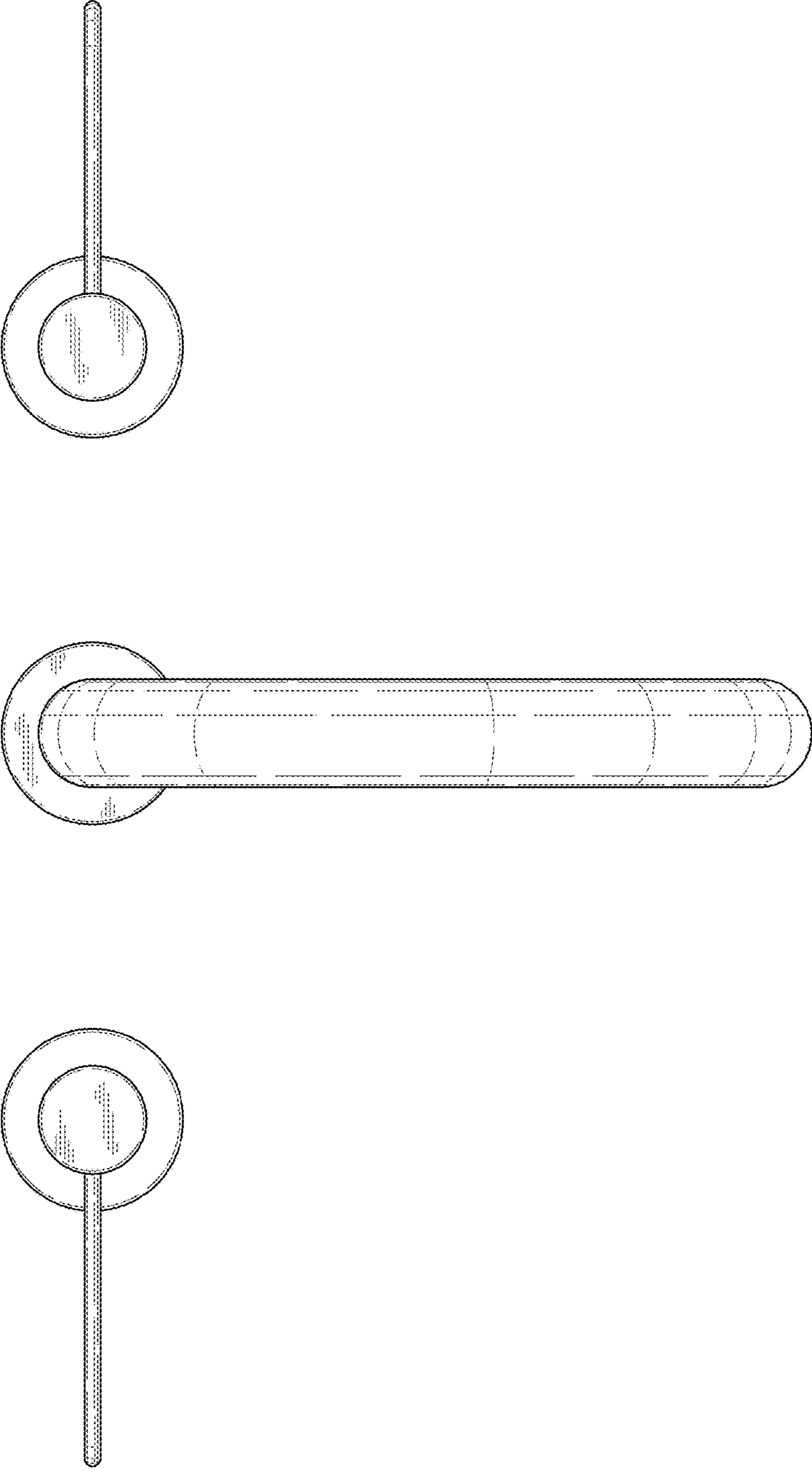


FIG. 5

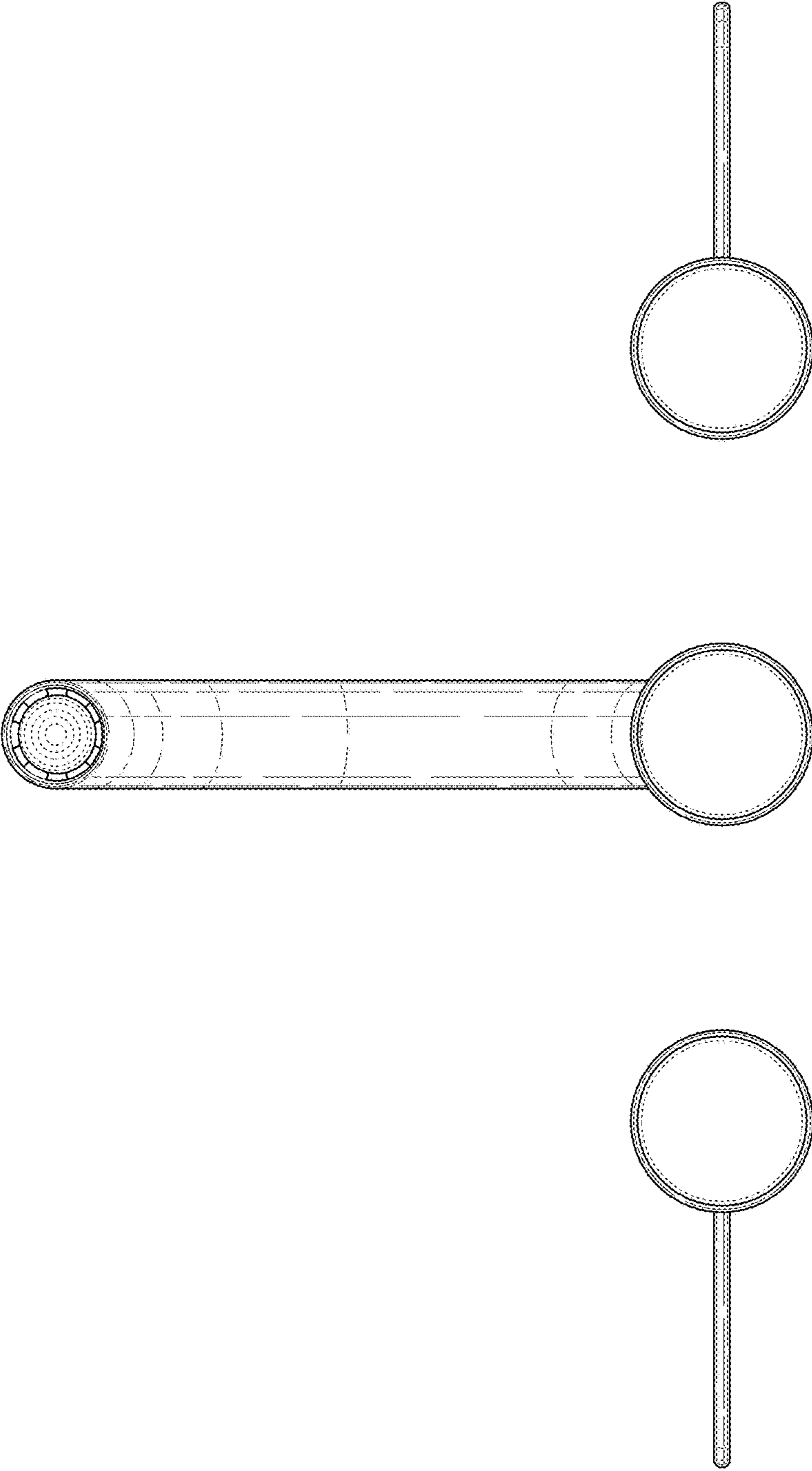


FIG. 6