



US00D813989S

(12) **United States Design Patent**  
**Schoenherr et al.**

(10) **Patent No.:** **US D813,989 S**  
(45) **Date of Patent:** **\*\* Mar. 27, 2018**

(54) **FAUCET**

(71) Applicant: **HANS GROHE SE**, Schiltach (DE)

(72) Inventors: **Tom Schoenherr**, Stuttgart (DE);  
**Andreas Diefenbach**,  
Ludwigsburg-Oßweil (DE)

(73) Assignee: **Hansgrohe SE**, Schiltach (DE)

(\*\*) Term: **15 Years**

(21) Appl. No.: **29/588,095**

(22) Filed: **Dec. 19, 2016**

(30) **Foreign Application Priority Data**

Jun. 20, 2016 (EM) ..... 003229863-0016

(51) **LOC (11) Cl.** ..... **23-01**

(52) **U.S. Cl.**  
USPC ..... **D23/238**

(58) **Field of Classification Search**  
USPC ..... D23/238-243, 249-250, 252, 254-255,  
D23/257; D8/307, 310  
CPC ..... Y10T 137/9464  
See application file for complete search history.

(56) **References Cited**

**U.S. PATENT DOCUMENTS**

D441,060 S \* 4/2001 Lefroy-Brooks ..... D23/238  
D512,133 S \* 11/2005 Kosasih ..... D23/255

D517,167 S \* 3/2006 Kulig ..... D23/238  
D636,065 S 4/2011 Schoenherr et al.  
D673,652 S \* 1/2013 Thomas ..... D23/238  
D704,304 S 5/2014 Schoenherr et al.  
D767,102 S \* 9/2016 Schoenherr ..... D23/257

**FOREIGN PATENT DOCUMENTS**

EM 001194757-0009 2/2010  
EM 002703371-0023 5/2015

\* cited by examiner

*Primary Examiner* — Robert A Delehanty

(74) *Attorney, Agent, or Firm* — Lora J. Graentzdoerffer

(57) **CLAIM**

The ornamental design for a faucet, as shown and described.

**DESCRIPTION**

FIG. 1 is a perspective view;  
FIG. 2 is a front elevation view;  
FIG. 3 is a rear elevation view;  
FIG. 4 is a right side elevation view;  
FIG. 5 is a left side elevation view;  
FIG. 6 is a top plan view; and,  
FIG. 7 is a bottom plan view.

The broken lines indicate portions of the faucet that form no part of the claimed design.

**1 Claim, 7 Drawing Sheets**

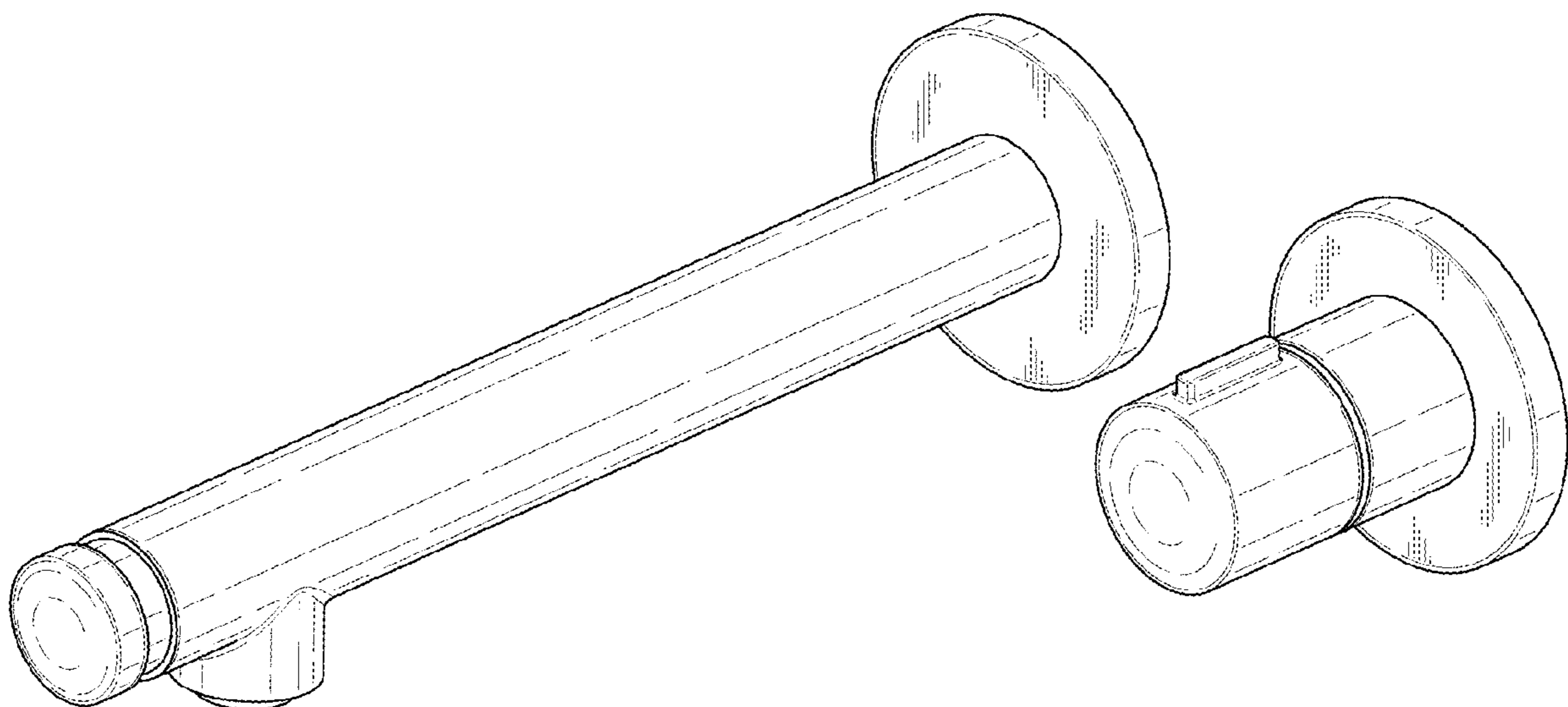


FIG. 1

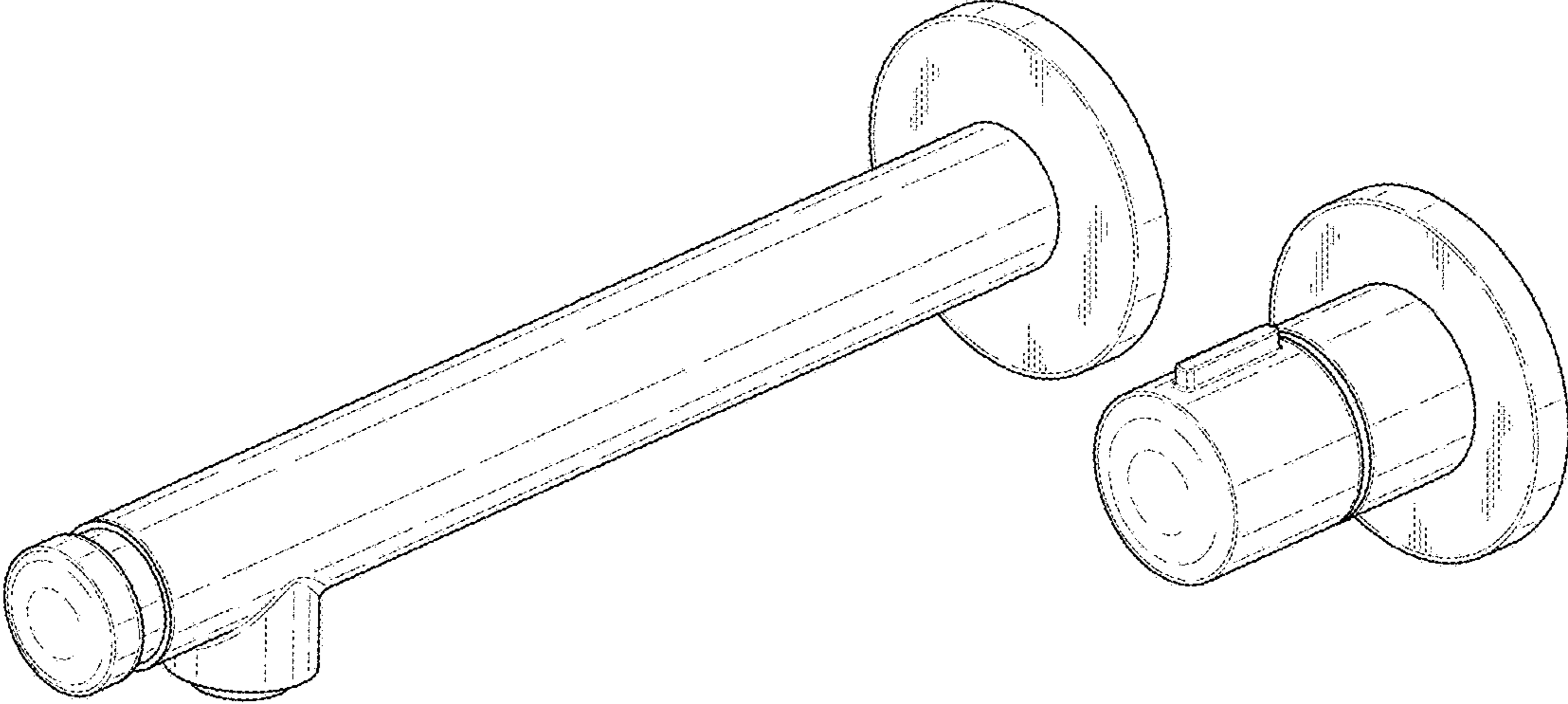


FIG. 2

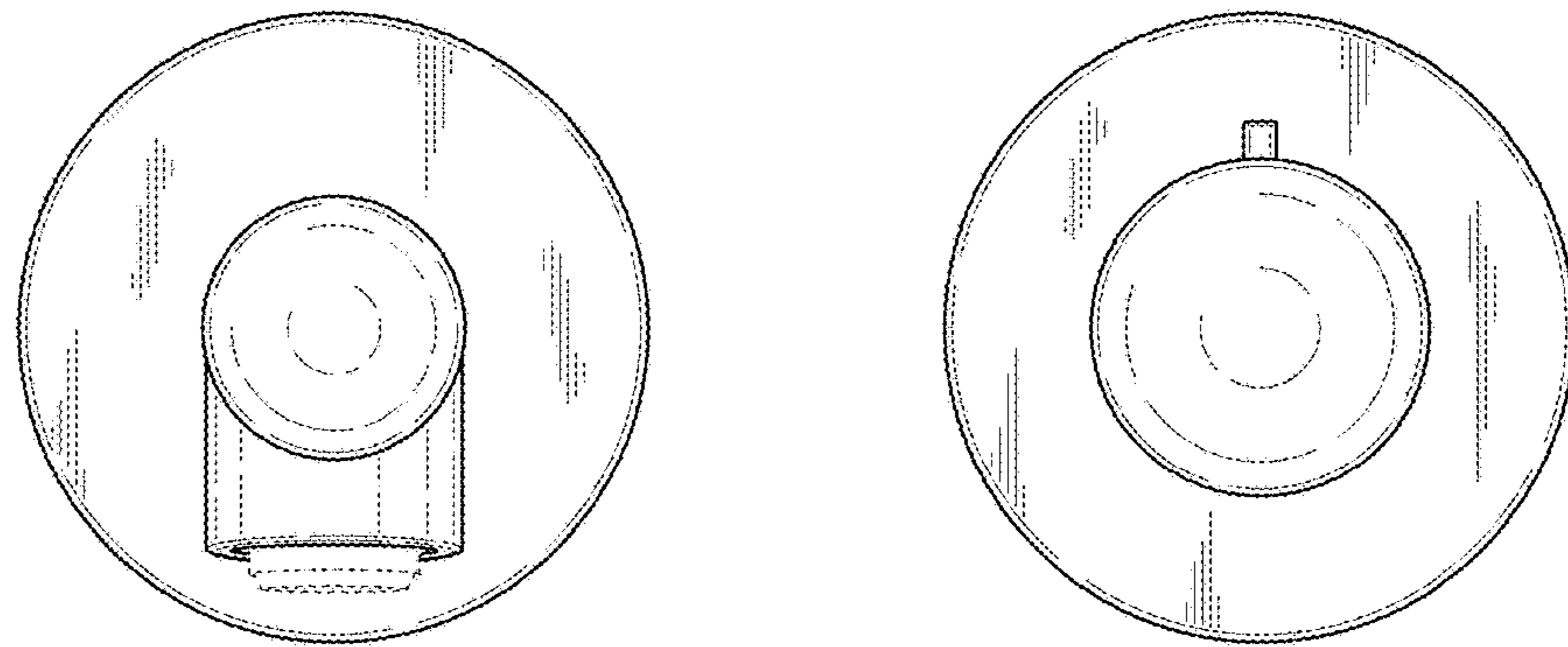


FIG. 3

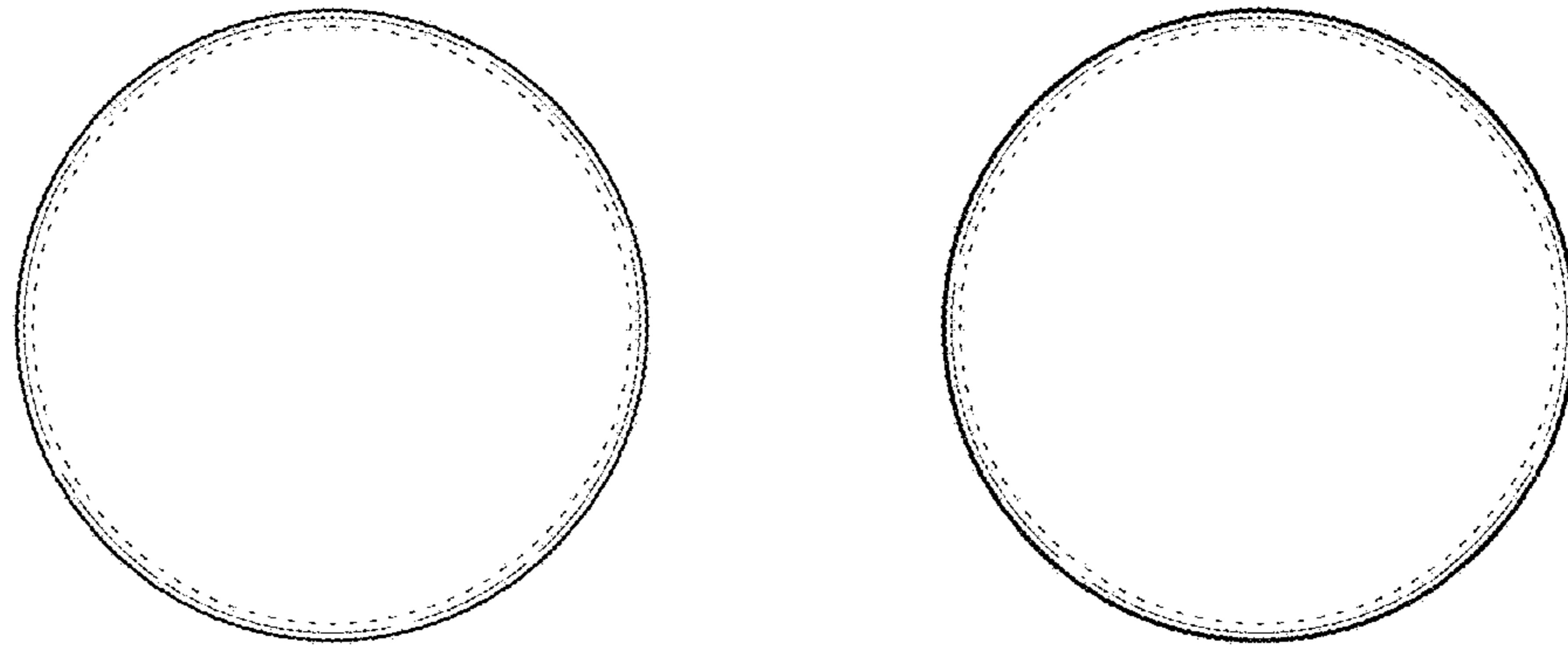


FIG. 4

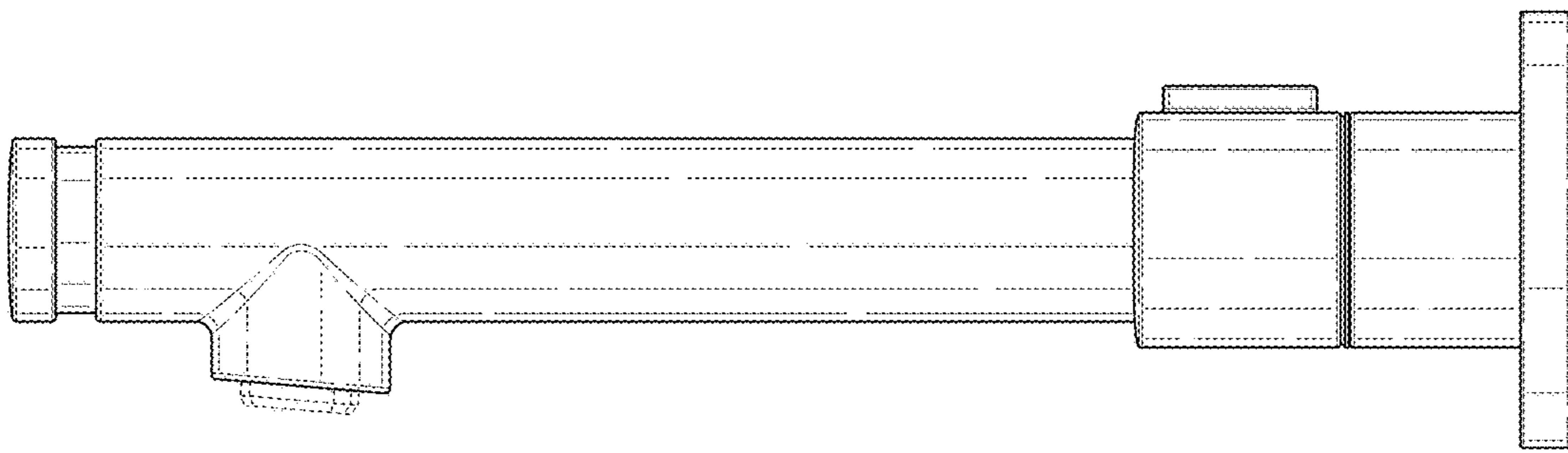


FIG. 5

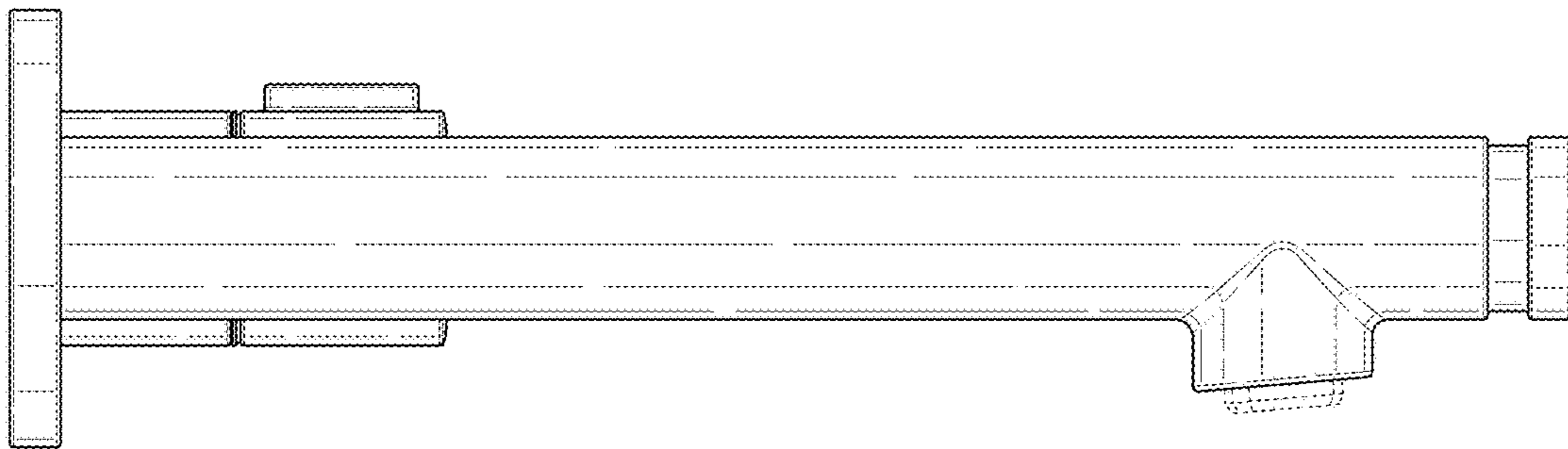


FIG. 6

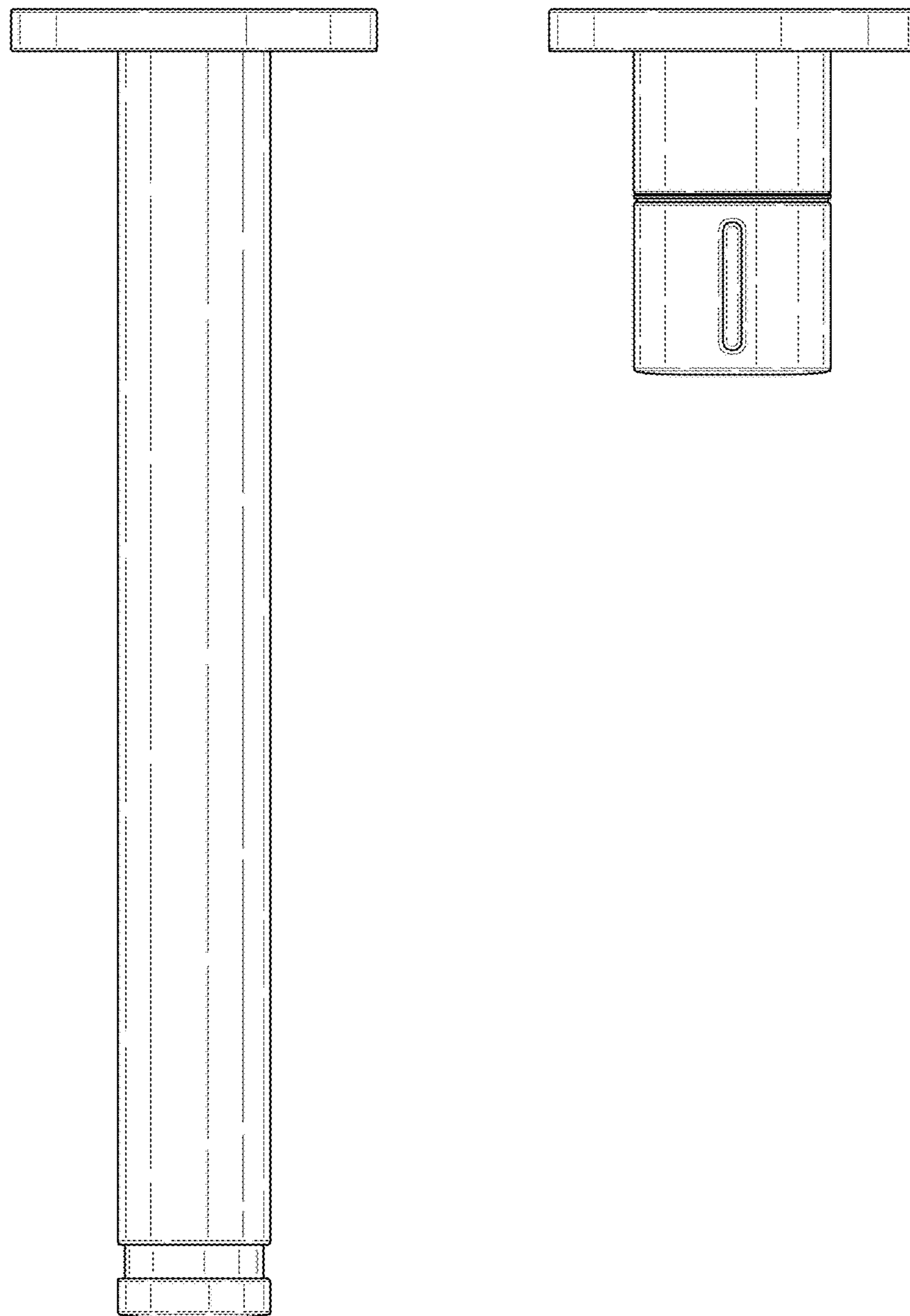


FIG. 7

