



US00D813988S

(12) **United States Design Patent**  
**Schoenherr et al.**

(10) **Patent No.:** **US D813,988 S**  
(45) **Date of Patent:** **\*\* Mar. 27, 2018**

(54) **FAUCET**  
(71) Applicant: **HANS GROHE SE**, Schiltach (DE)  
(72) Inventors: **Tom Schoenherr**, Stuttgart (DE);  
**Andreas Diefenbach**,  
Ludwigsburg-Oßweil (DE)  
(73) Assignee: **Hansgrohe SE**, Schiltach (DE)  
(\*\*) Term: **15 Years**  
(21) Appl. No.: **29/587,955**  
(22) Filed: **Dec. 16, 2016**

D750,203 S \* 2/2016 Flowers ..... D23/238  
D752,187 S \* 3/2016 Schoenherr ..... D23/255  
D771,776 S \* 11/2016 Schoenherr ..... D23/239  
2004/0050434 A1 \* 3/2004 Chen ..... E03C 1/0404  
137/801

**FOREIGN PATENT DOCUMENTS**

EM 002266080-0003 7/2013  
EM 002625244-0003 2/2015  
EM 002625244-0005 2/2015

\* cited by examiner

*Primary Examiner* — Robert A Delehanty

(74) *Attorney, Agent, or Firm* — Lora J. Graentzdoerffer

(30) **Foreign Application Priority Data**

Jun. 20, 2016 (EM) ..... 003229863-0004

(51) **LOC (11) Cl.** ..... **23-01**

(52) **U.S. Cl.**  
USPC ..... **D23/238**

(58) **Field of Classification Search**  
USPC ..... D23/238–243, 249–250, 252, 254–255,  
D23/257; D8/307–308, 310  
CPC ..... Y10T 137/9464  
See application file for complete search history.

(56) **References Cited**

**U.S. PATENT DOCUMENTS**

D636,062 S \* 4/2011 Rubin ..... D23/238  
D694,366 S 11/2013 Hahn et al.

(57) **CLAIM**

The ornamental design for a faucet, as shown and described.

**DESCRIPTION**

FIG. 1 is a perspective view;  
FIG. 2 is a front elevation view;  
FIG. 3 is a rear elevation view;  
FIG. 4 is a side elevation view;  
FIG. 5 is a top plan view; and,  
FIG. 6 is a bottom plan view.  
The broken lines indicate portions of the faucet that form no part of the claimed design.

**1 Claim, 6 Drawing Sheets**

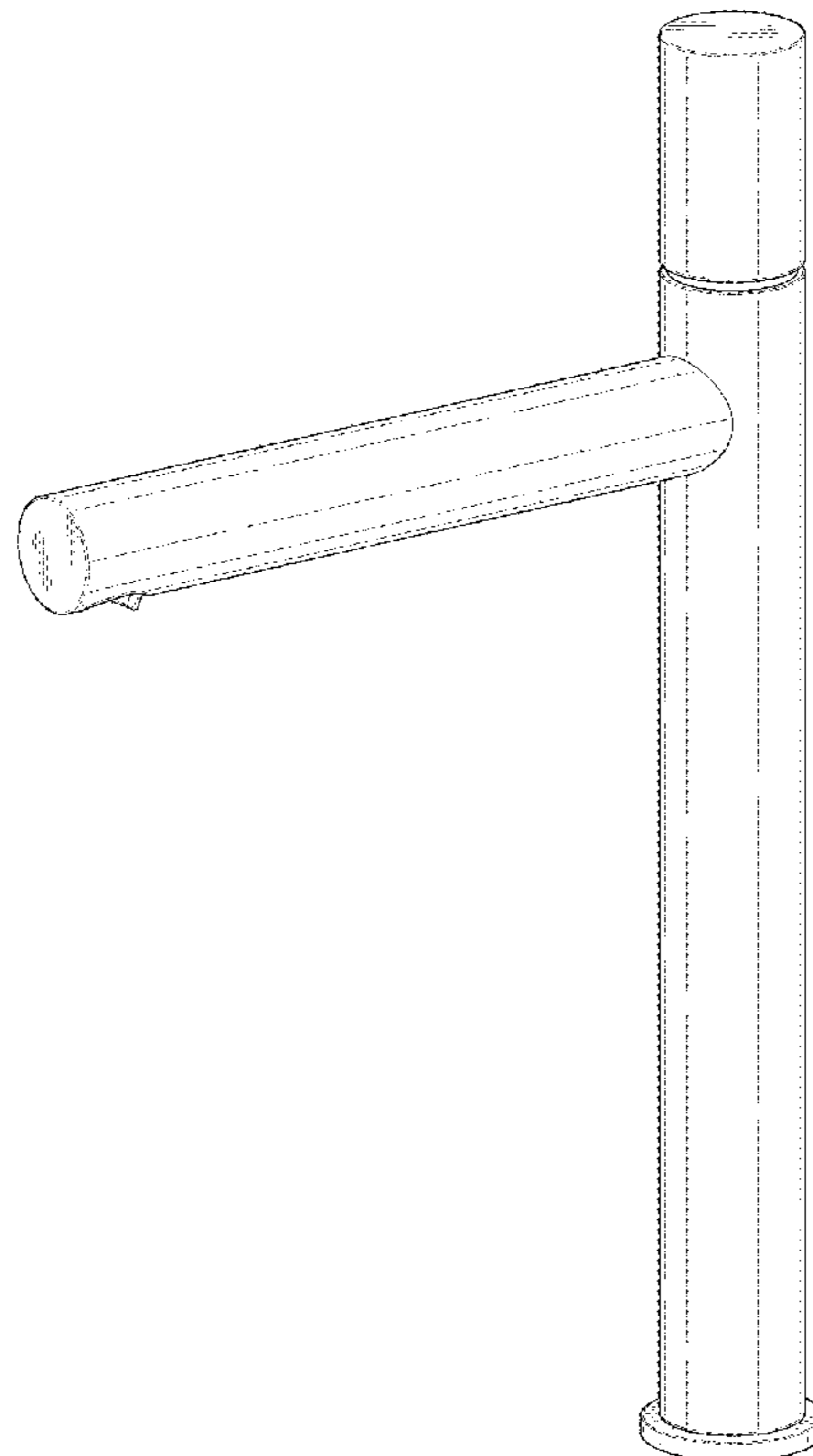


FIG. 1

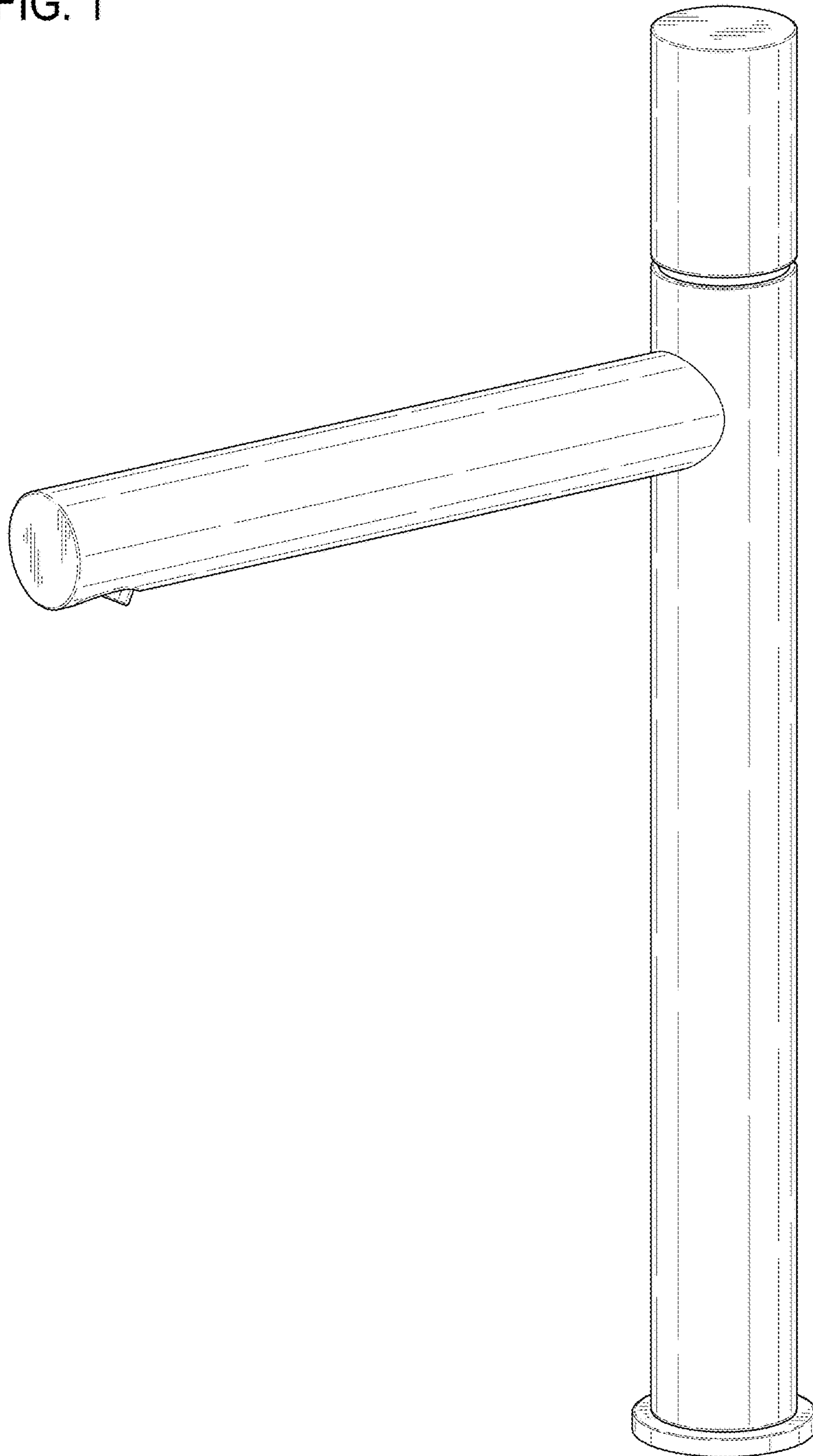


FIG. 2

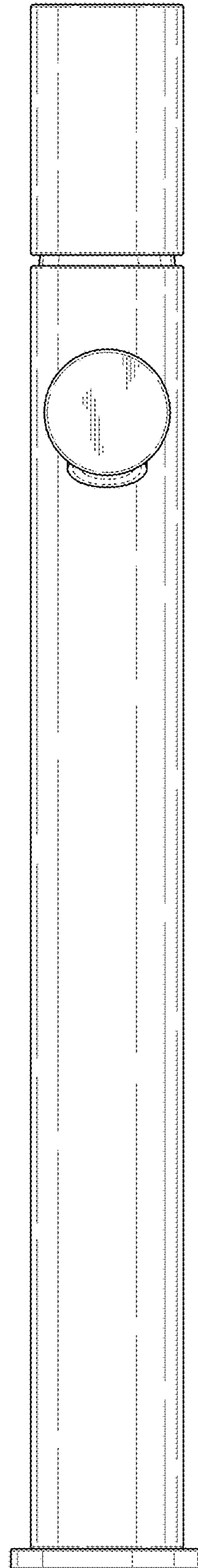


FIG. 3

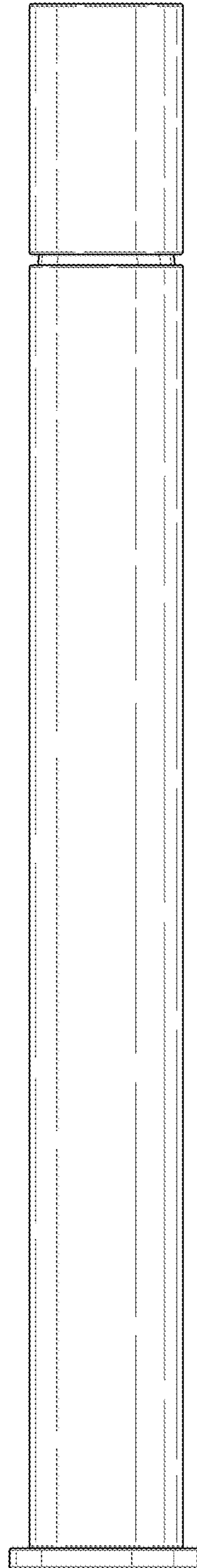


FIG. 4

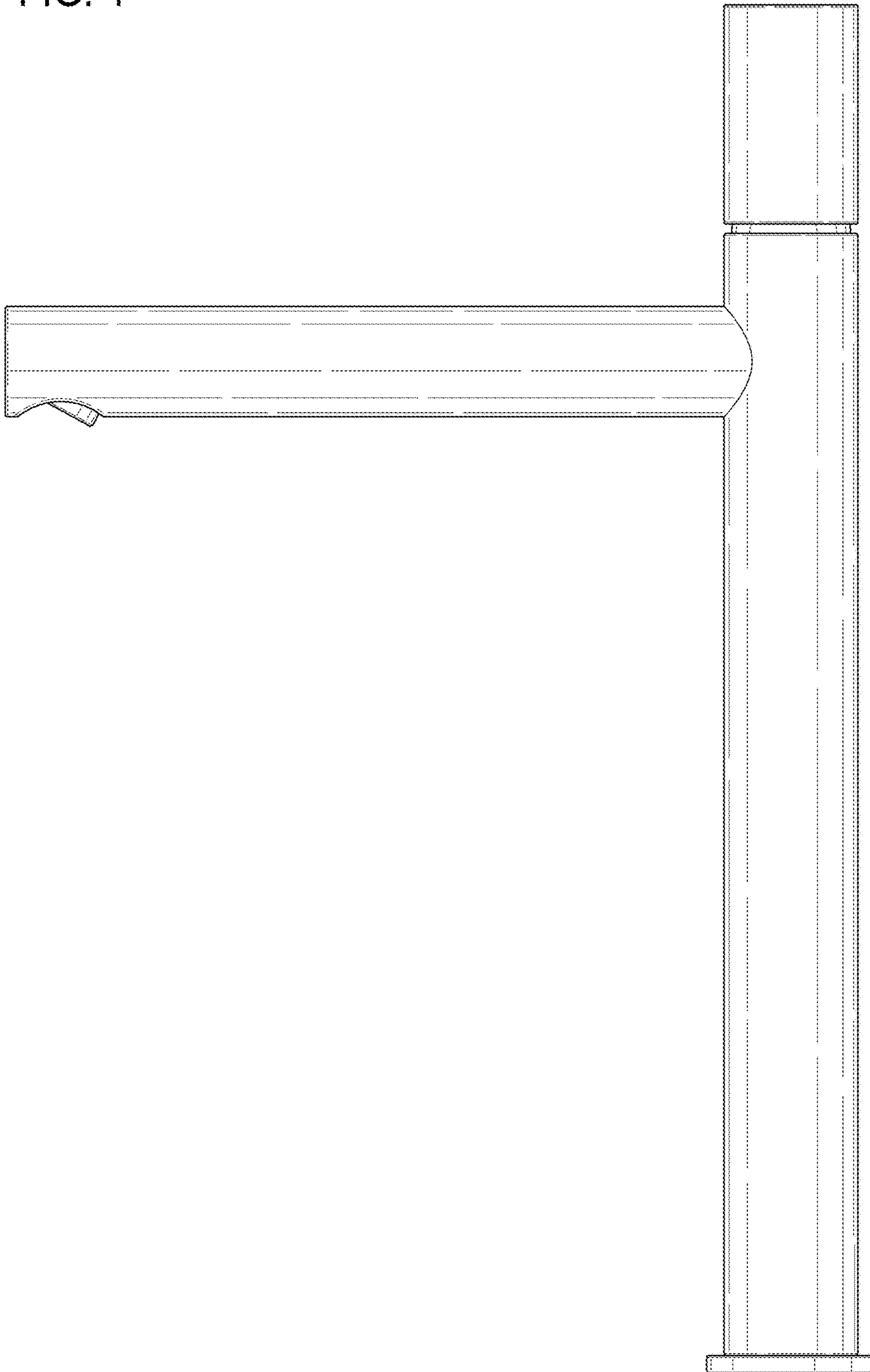


FIG. 5

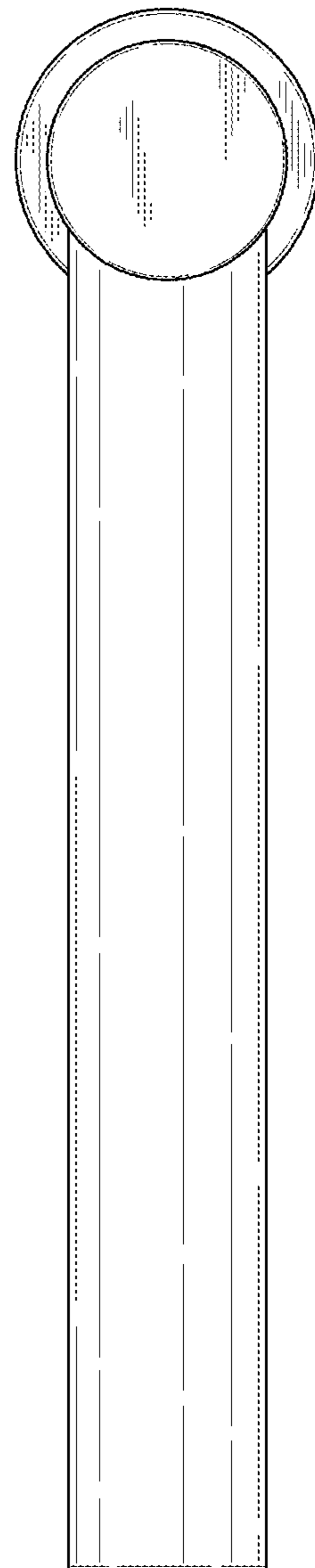


FIG. 6

