



US00D813986S

(12) **United States Design Patent**
Schoenherr et al.

(10) **Patent No.:** **US D813,986 S**
(45) **Date of Patent:** **** Mar. 27, 2018**

(54) **FAUCET**

(71) Applicant: **HANSGROHE SE**, Schiltach (DE)

(72) Inventors: **Tom Schoenherr**, Stuttgart (DE);
Andreas Diefenbach,
Ludwigsburg-Oßweil (DE)

(73) Assignee: **Hansgrohe SE**, Schiltach (DE)

(**) Term: **15 Years**

(21) Appl. No.: **29/587,595**

(22) Filed: **Dec. 14, 2016**

(30) **Foreign Application Priority Data**

Jun. 20, 2016 (EM) 003229848-0003

(51) **LOC (11) Cl.** **23-01**

(52) **U.S. Cl.**
USPC **D23/238**

(58) **Field of Classification Search**
USPC D23/238-243, 249-250, 252, 254-255,
D23/257; D8/307-308, 310
CPC Y10T 137/9464
See application file for complete search history.

(56) **References Cited**

U.S. PATENT DOCUMENTS

D291,238 S * 8/1987 Haug D23/252
D331,450 S * 12/1992 Haug D23/252

D342,988 S * 1/1994 Jans D23/252
D350,389 S * 9/1994 Gottwald D23/238
D353,650 S * 12/1994 Haug D23/238
D400,968 S * 11/1998 Lobermeier D23/238
D535,360 S * 1/2007 Noth D23/238
D541,385 S * 4/2007 Haug D23/252
D597,175 S * 7/2009 Kulig D23/238
D636,062 S * 4/2011 Rubin D23/238
D673,652 S * 1/2013 Thomas D23/238
D752,187 S * 3/2016 Schoenherr D23/255
D767,724 S * 9/2016 Flowers D23/238

* cited by examiner

Primary Examiner — Robert A Delehanty

(74) *Attorney, Agent, or Firm* — Lora J. Graentzdoerffer

(57) **CLAIM**

The ornamental design for a faucet, as shown and described.

DESCRIPTION

FIG. 1 is a perspective view;
FIG. 2 is a front elevation view;
FIG. 3 is a rear elevation view;
FIG. 4 is a side elevation view;
FIG. 5 is a top plan view; and,
FIG. 6 is a bottom plan view.
The broken lines indicate portions of the faucet that form no part of the claimed design.

1 Claim, 6 Drawing Sheets

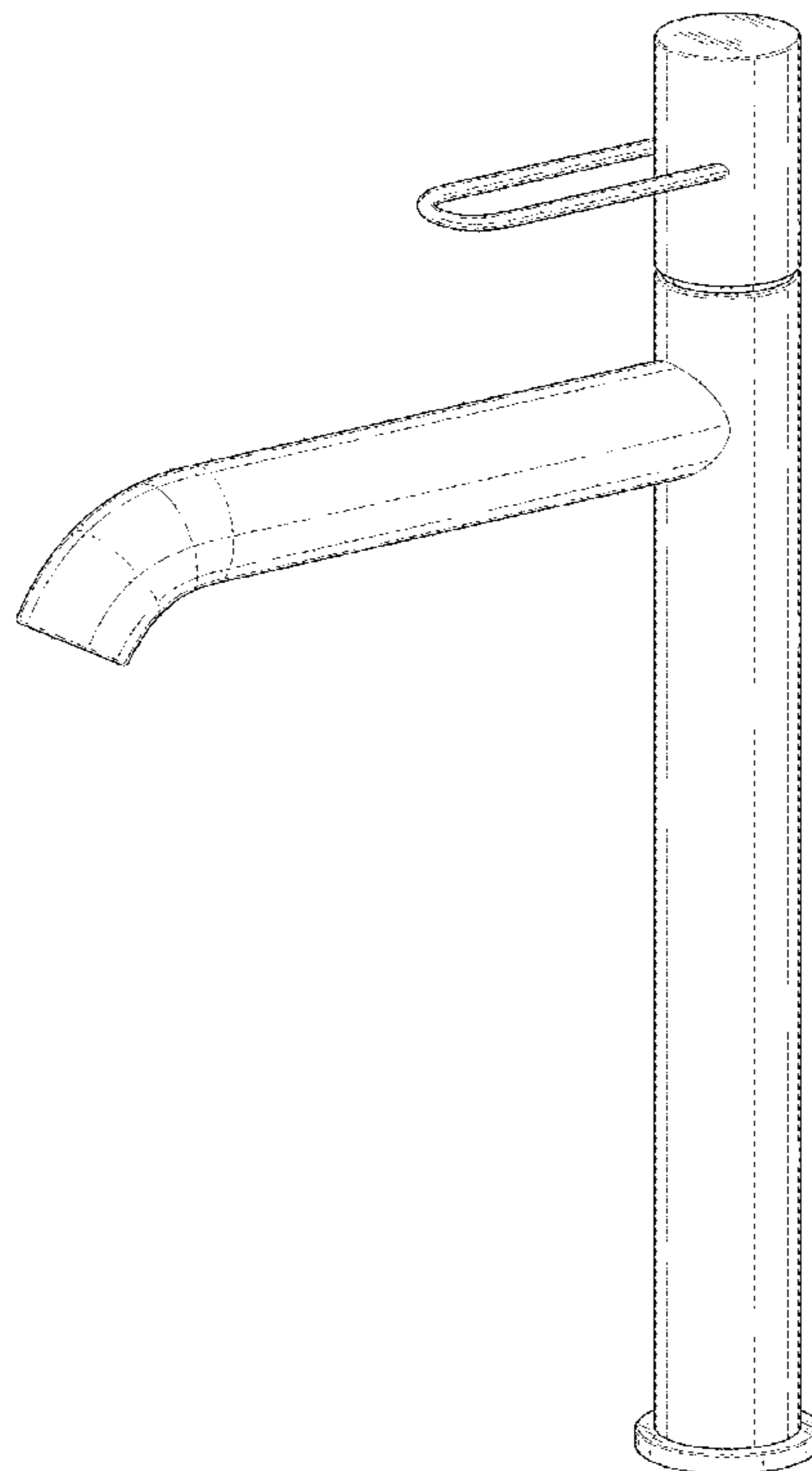


FIG. 1

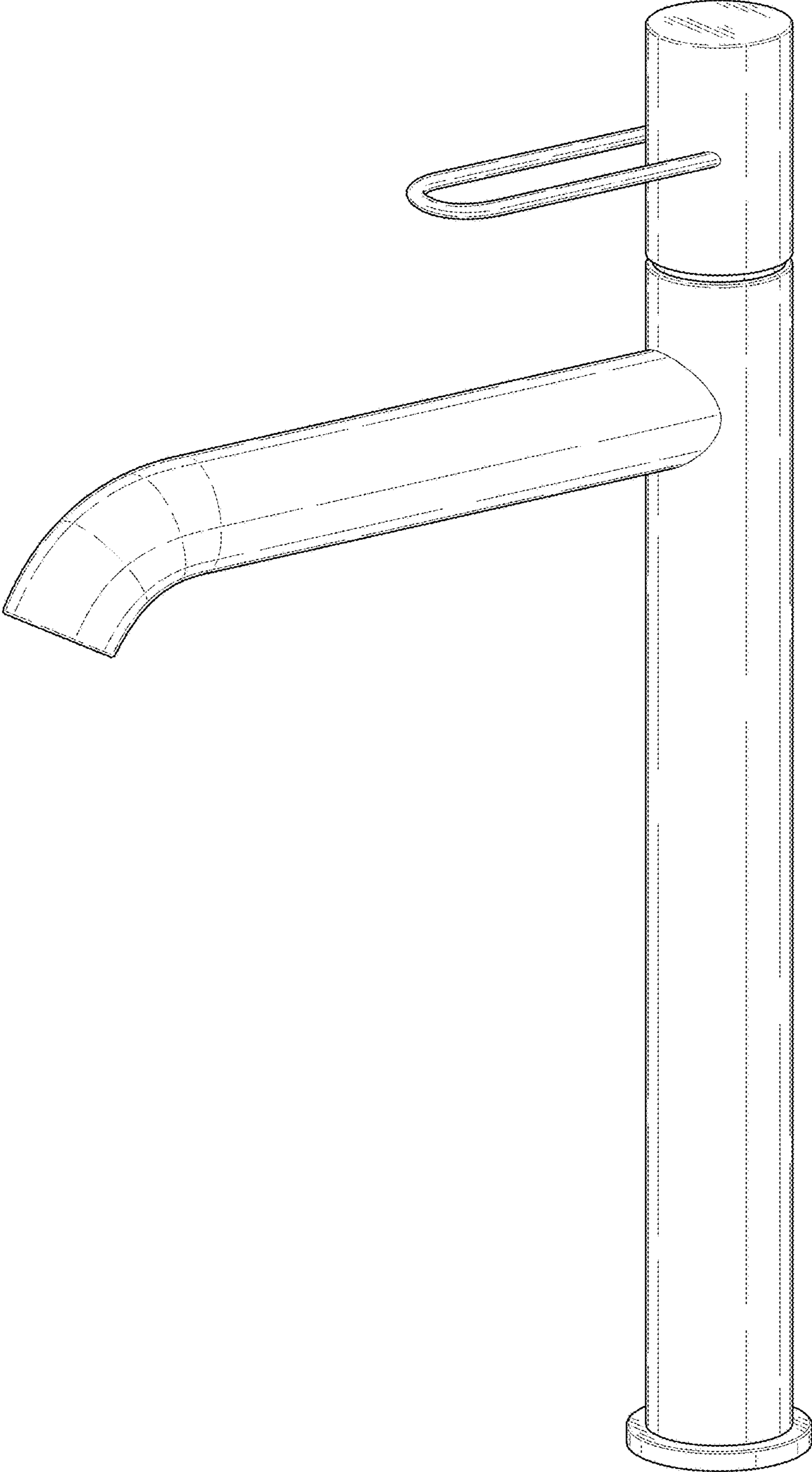


FIG. 2

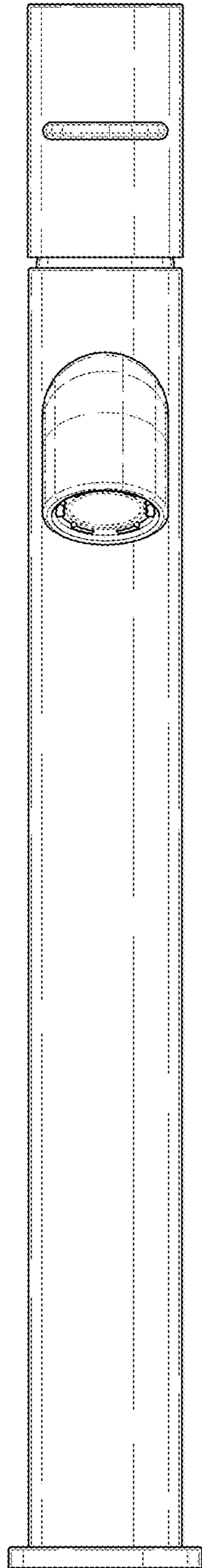


FIG. 3

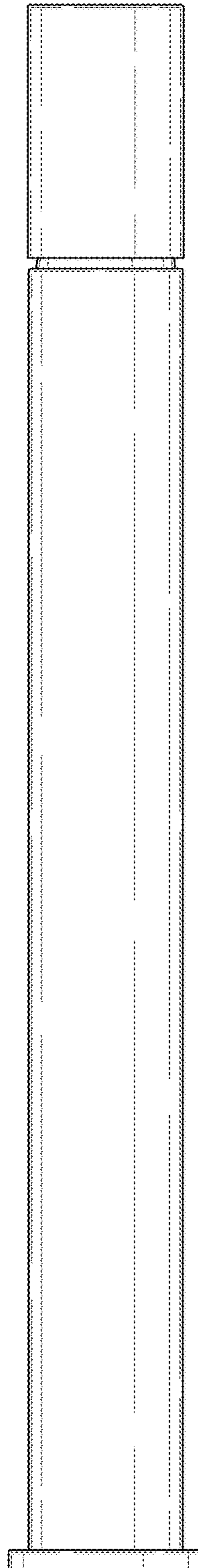


FIG. 4

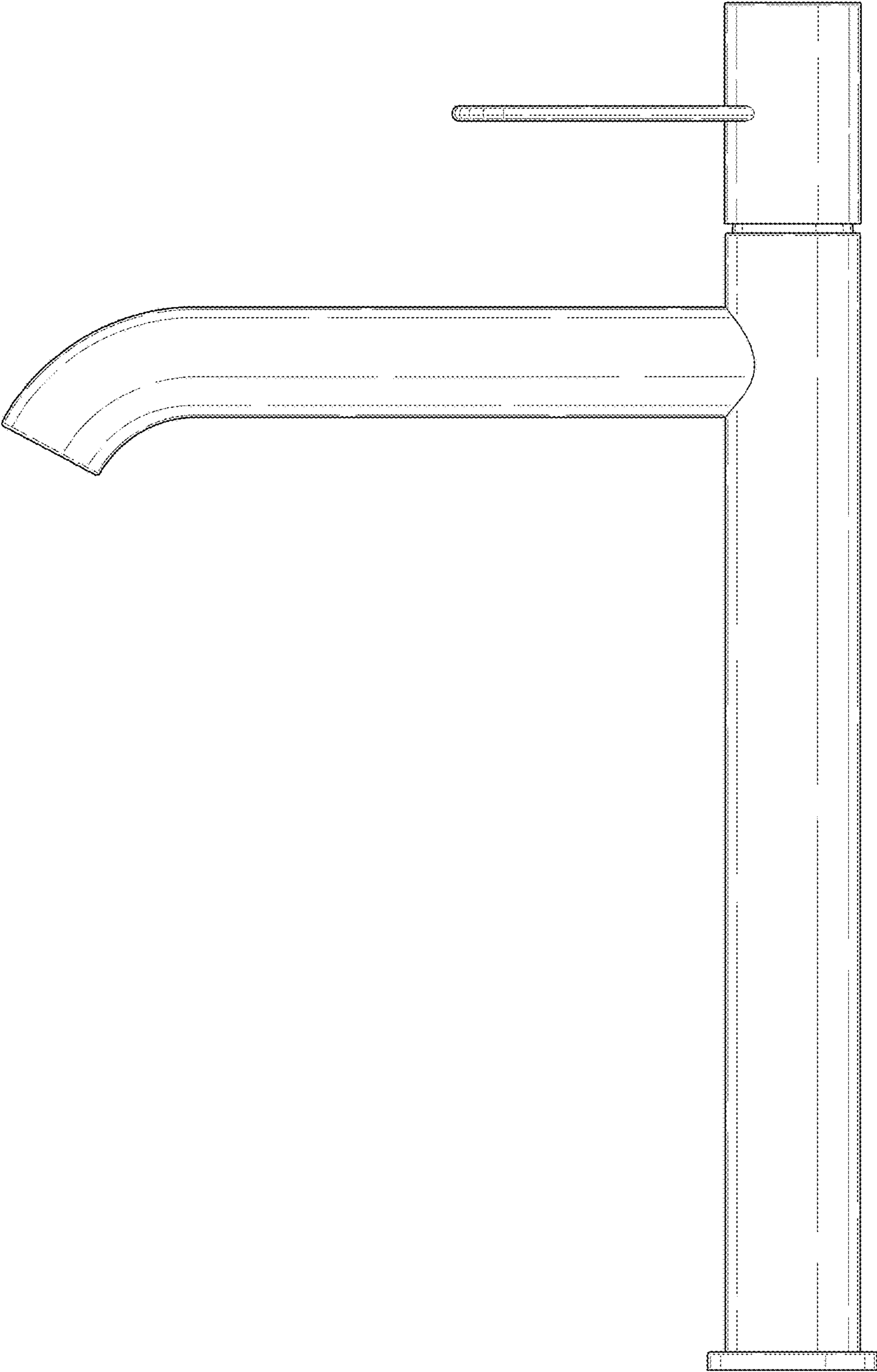


FIG. 5

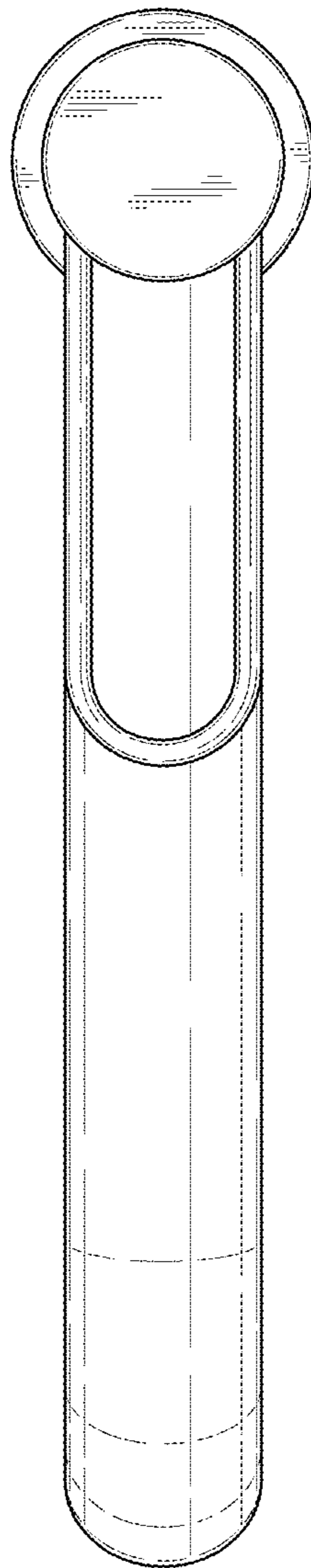


FIG. 6

