



US00D813984S

(12) **United States Design Patent**  
**Priess et al.**

(10) **Patent No.:** **US D813,984 S**  
(45) **Date of Patent:** **\*\* Mar. 27, 2018**

(54) **DISPENSING GUN FOR DISPENSING FLOWABLE PRODUCT FROM PRESSURIZED CAN**

(71) Applicant: **Clayton Corporation**, Fenton, MO (US)

(72) Inventors: **Benjamin Cooper Priess**, Saint Charles, MO (US); **Steven R. Brncic**, University City, MO (US)

(73) Assignee: **Clayton Corporation**, Fenton, MO (US)

(\*\*) Term: **15 Years**

(21) Appl. No.: **29/589,365**

(22) Filed: **Dec. 30, 2016**

(51) **LOC (11) Cl.** ..... **23-01**

(52) **U.S. Cl.**  
USPC ..... **D23/223**

(58) **Field of Classification Search**  
USPC ..... D23/213, 223, 225, 226; 239/337, 340, 239/345, 361, DIG. 14; 137/625.43; D8/61

CPC ..... B05B 11/06; B05B 9/08; B05B 7/2408; B05B 7/32; B05B 9/00

See application file for complete search history.

(56) **References Cited**

**U.S. PATENT DOCUMENTS**

D191,686 S \* 10/1961 Johnson et al. .... 239/135  
D334,423 S \* 3/1993 Demarest ..... D23/226  
6,056,213 A \* 5/2000 Ruta ..... B05B 7/066  
239/323  
D513,058 S \* 12/2005 Hayduk ..... D23/226

7,156,324 B2 \* 1/2007 Birrenkott ..... B05B 7/2443  
239/345  
D545,942 S \* 7/2007 Mora ..... D23/223  
8,020,727 B2 \* 9/2011 Herman ..... B05C 17/0103  
222/1  
8,544,689 B2 \* 10/2013 Bertram ..... B29B 7/7438  
222/145.6  
D783,776 S \* 4/2017 Yao ..... D23/226

\* cited by examiner

*Primary Examiner* — Robin V Webster

(74) *Attorney, Agent, or Firm* — Senniger Powers LLP

(57) **CLAIM**

The ornamental design for a dispensing gun for dispensing flowable product from a pressurized can, as shown and described.

**DESCRIPTION**

FIG. 1 is a front perspective view of a dispensing gun for dispensing flowable product from a pressurized can showing out new design, shown with a pressurized can attached in broken lines;

FIG. 2 is another front perspective view thereof, shown without the can;

FIG. 3 is a right elevational view thereof;

FIG. 4 is a front view thereof;

FIG. 5 is a top view thereof;

FIG. 6 is a left elevational view thereof;

FIG. 7 is a rear view thereof; and,

FIG. 8 is a bottom view thereof.

Portions drawn in broken lines are for illustrative purposes only and form no part of the claimed design.

**1 Claim, 8 Drawing Sheets**

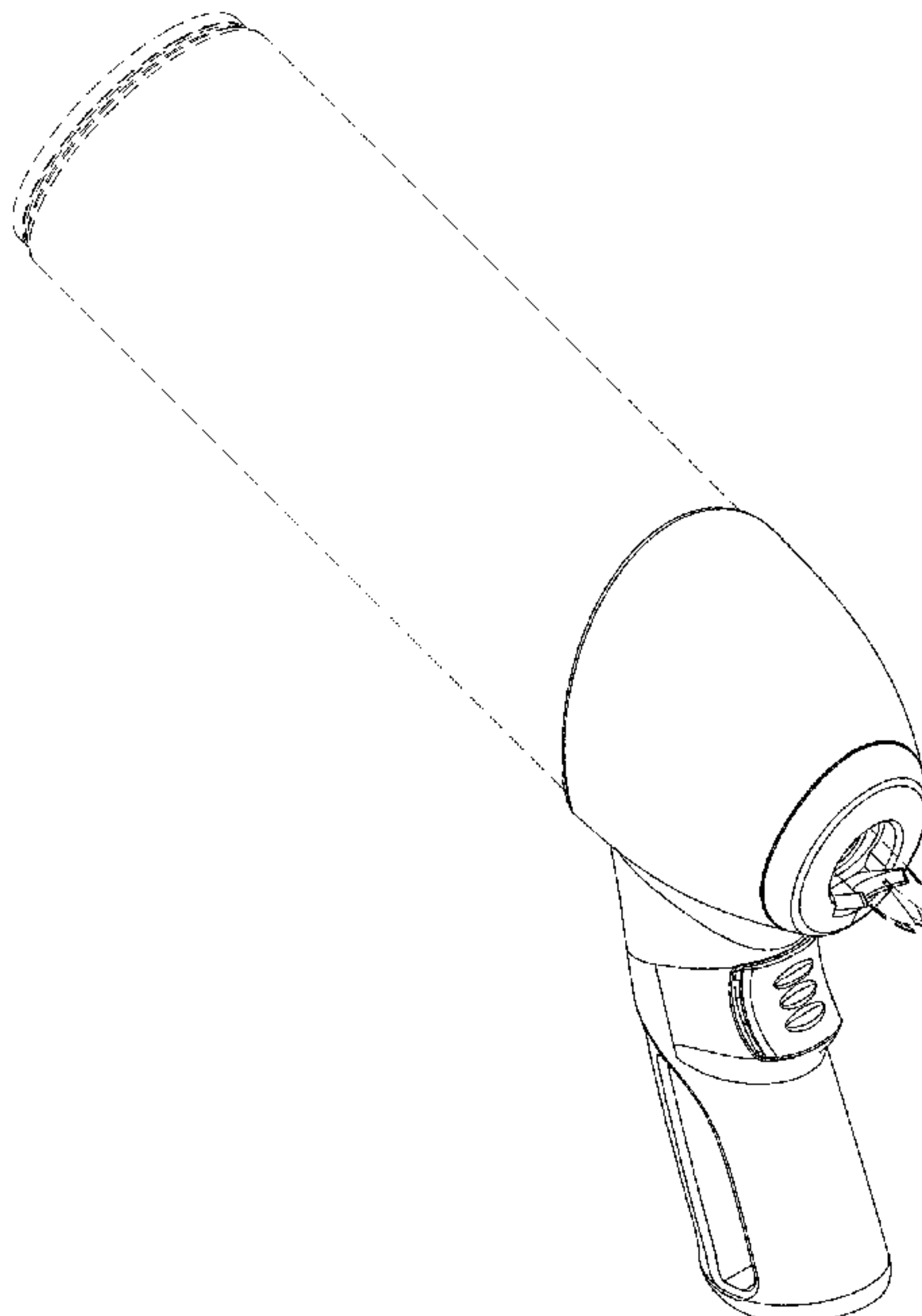


FIG. 1

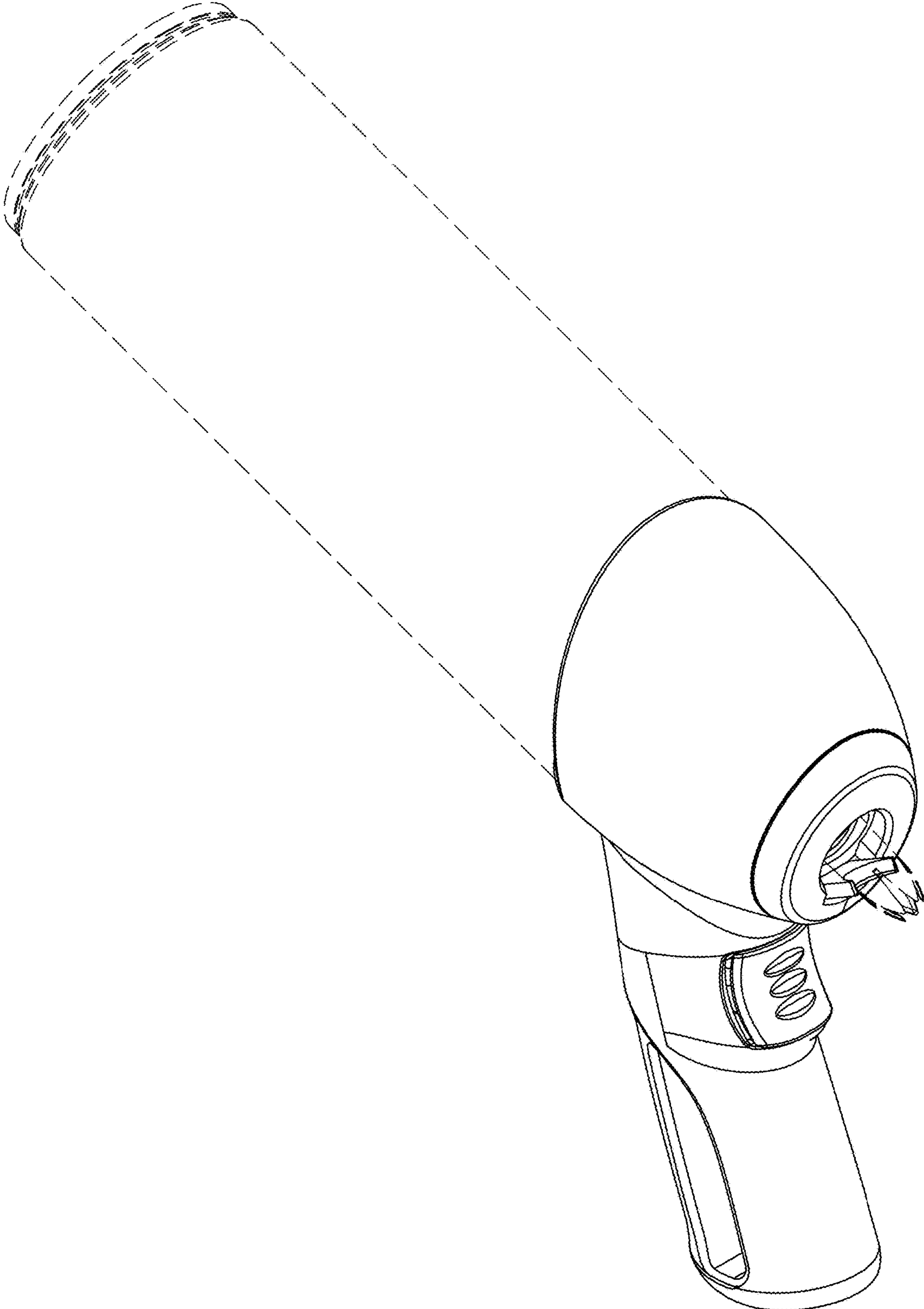


FIG. 2

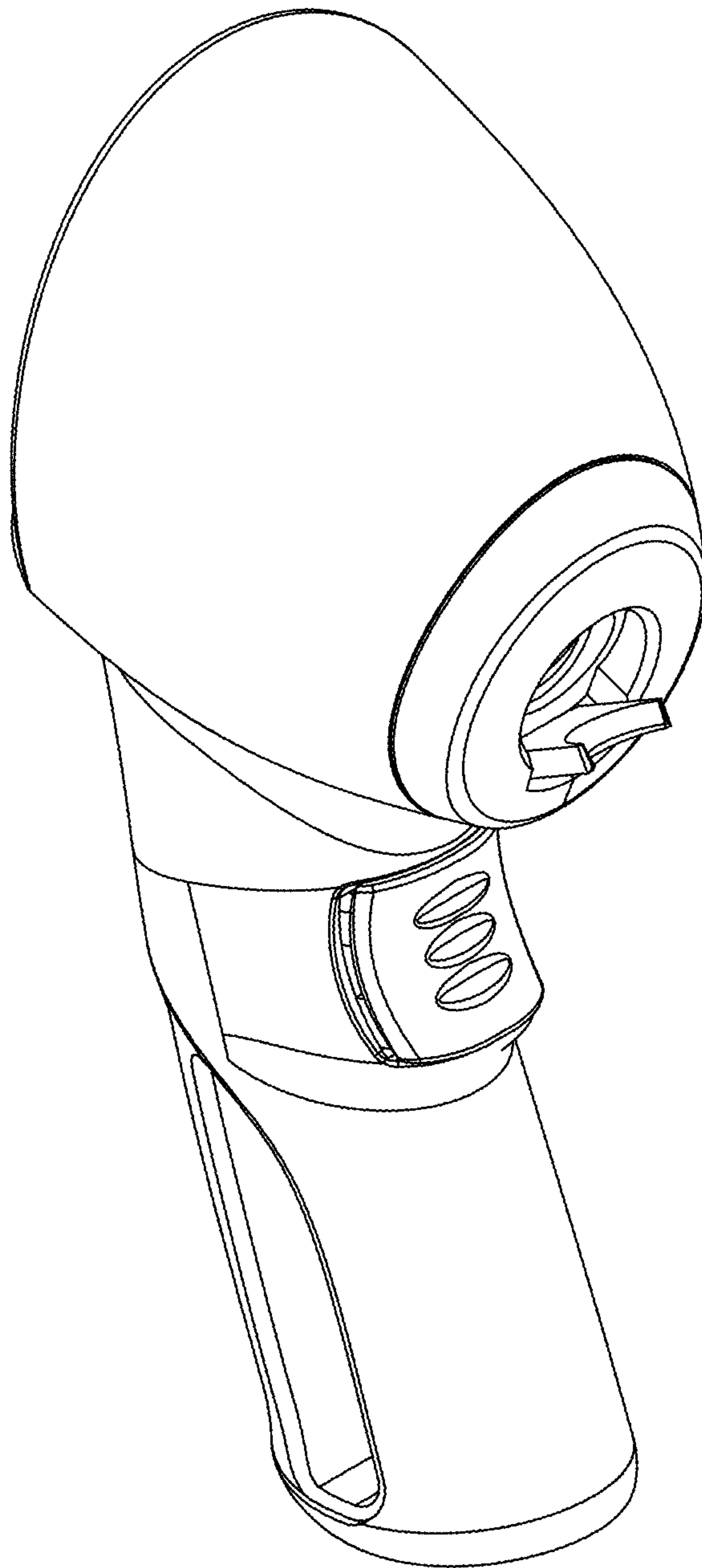


FIG. 3

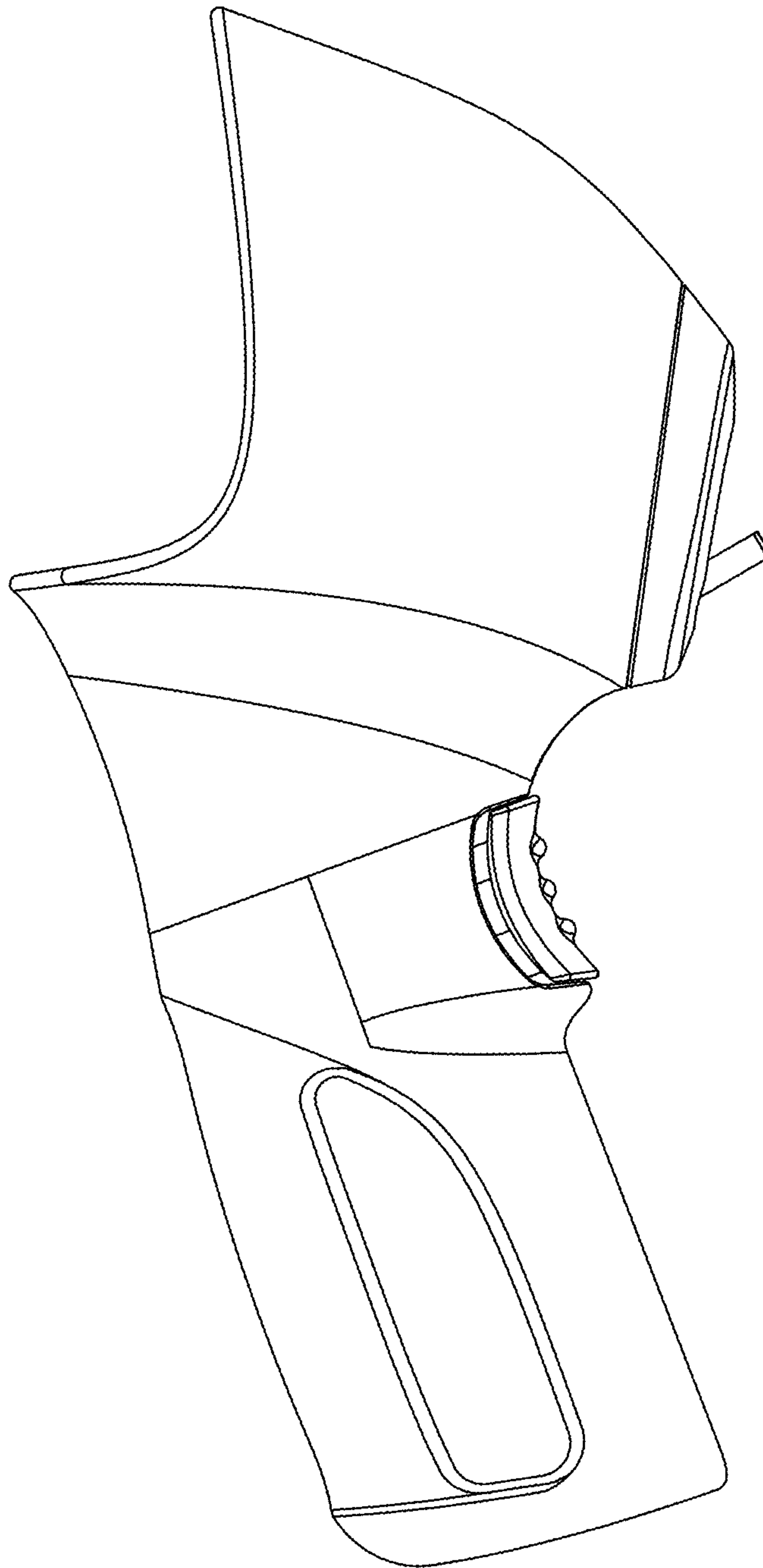


FIG. 4

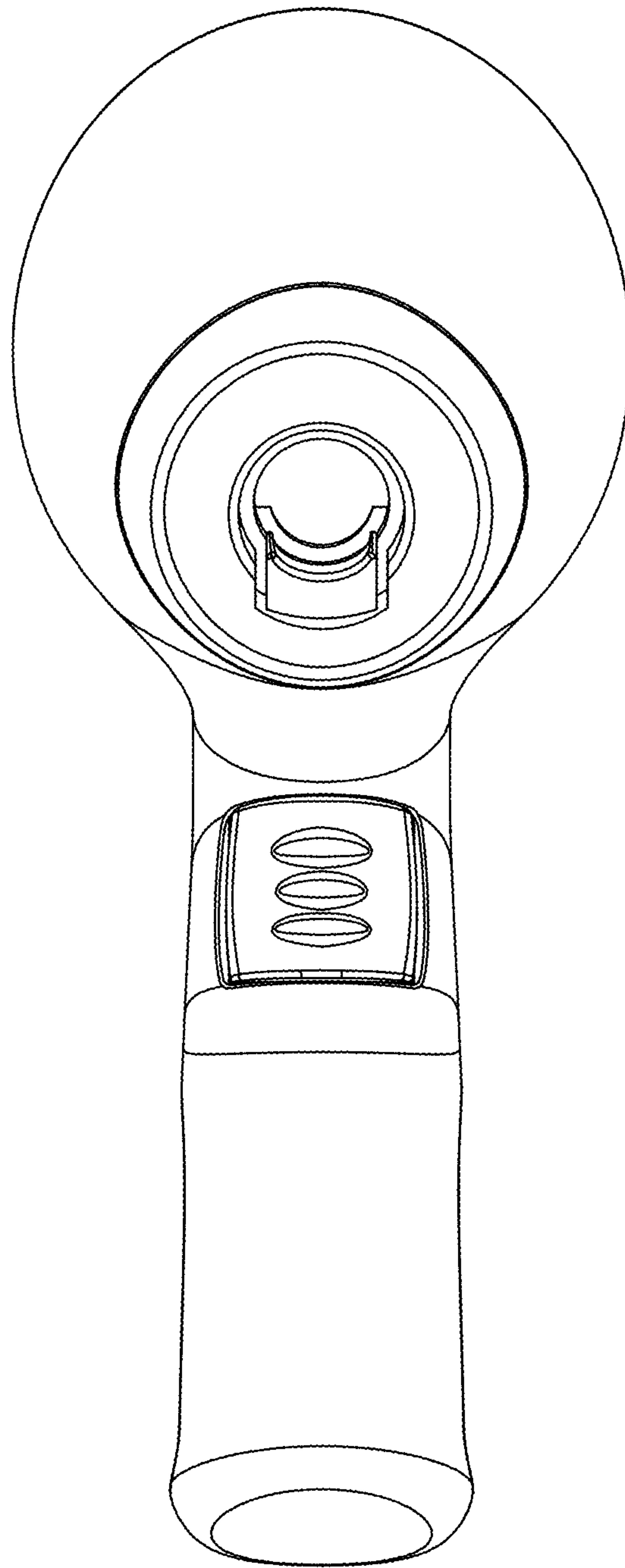


FIG. 5

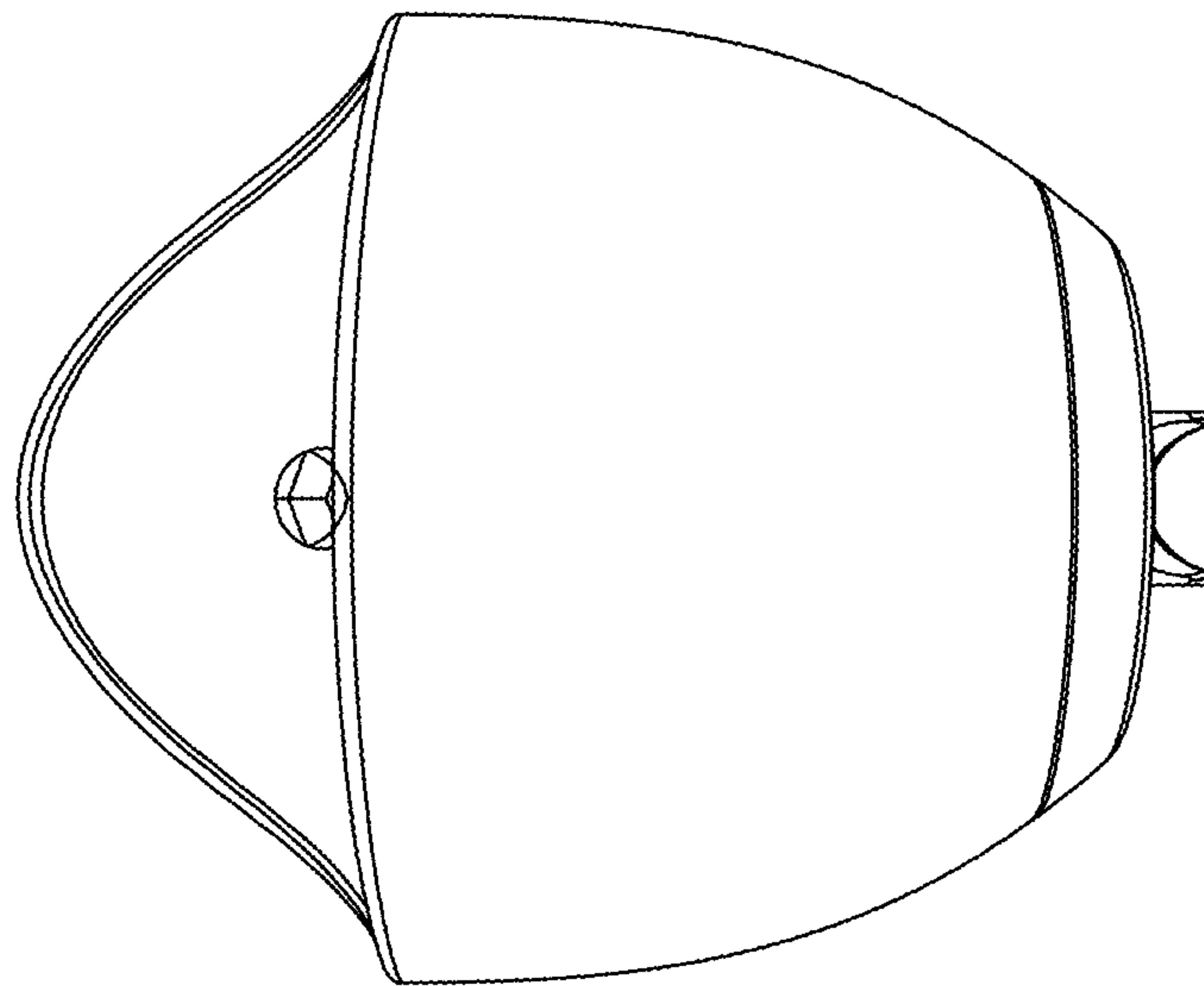


FIG. 6

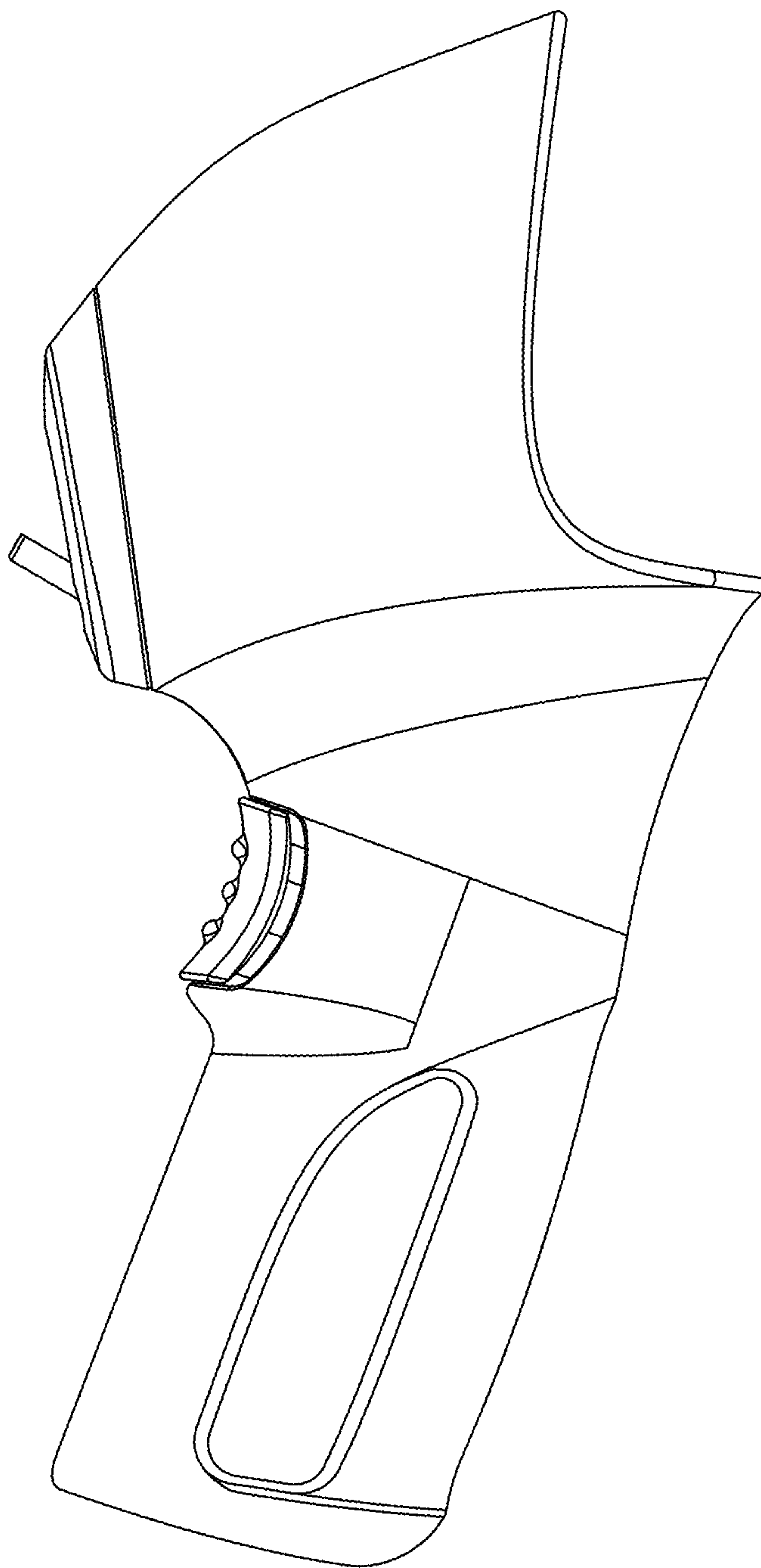




FIG. 7

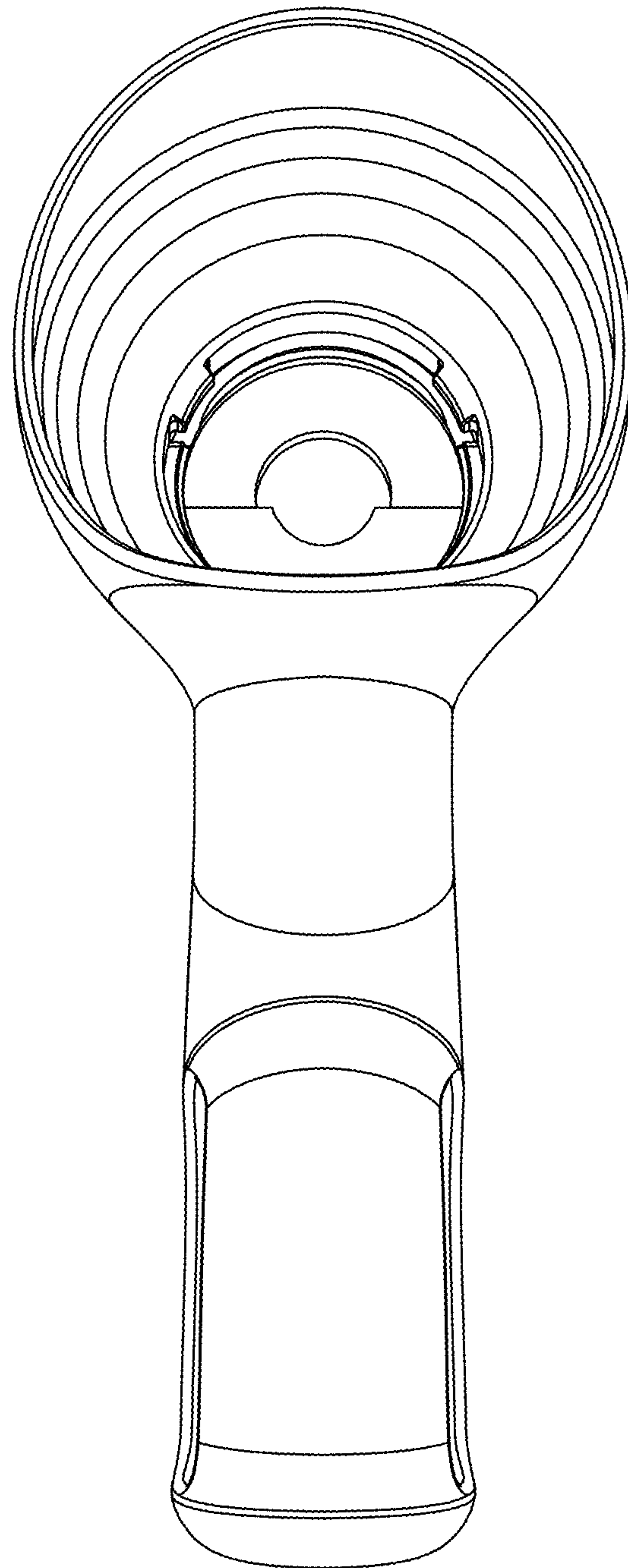




FIG. 8

