



US00D813983S

(12) **United States Design Patent**
Priess et al.

(10) **Patent No.:** **US D813,983 S**
(45) **Date of Patent:** **** Mar. 27, 2018**

(54) **DISPENSING GUN FOR DISPENSING FLOWABLE PRODUCT FROM PRESSURIZED CAN**

7,156,324 B2 * 1/2007 Birrenkott B05B 7/2443
239/345
D545,942 S * 7/2007 Mora D23/223
8,020,727 B2 * 9/2011 Herman B05C 17/0103
222/1
8,544,689 B2 * 10/2013 Bertram B29B 7/7438
222/145.6
D783,776 S * 4/2017 Yao D23/226

(71) Applicant: **Clayton Corporation**, Fenton, MO (US)

(72) Inventors: **Benjamin Cooper Priess**, Saint Charles, MO (US); **Steven R. Brncic**, University City, MO (US)

* cited by examiner

(73) Assignee: **Clayton Corporation**, Fenton, MO (US)

Primary Examiner — Robin V Webster

(74) *Attorney, Agent, or Firm* — Senniger Powers LLP

(**) Term: **15 Years**

(57) **CLAIM**

(21) Appl. No.: **29/589,361**

The ornamental design for a dispensing gun for dispensing flowable product from a pressurized can, as shown and described.

(22) Filed: **Dec. 30, 2016**

(51) **LOC (11) Cl.** **23-01**

(52) **U.S. Cl.**
USPC **D23/223**

DESCRIPTION

(58) **Field of Classification Search**
USPC D23/213, 223, 225, 226; 239/337, 340, 239/345, 361, DIG. 14; 137/625.43; D8/61

FIG. 1 is a front perspective view of a dispensing gun for dispensing flowable product from a pressurized can showing out new design, shown with a pressurized can attached in broken lines;

CPC B05B 11/06; B05B 9/08; B05B 7/2408; B05B 7/32; B05B 9/00

FIG. 2 is another front perspective view thereof, shown without the can;

See application file for complete search history.

FIG. 3 is a right elevational view thereof;

FIG. 4 is a front view thereof;

FIG. 5 is a top view thereof;

FIG. 6 is a left elevational view thereof;

FIG. 7 is a rear view thereof; and,

FIG. 8 is a bottom view thereof.

Portions drawn in broken lines are for illustrative purposes only and form no part of the claimed design.

(56) **References Cited**

U.S. PATENT DOCUMENTS

D191,686 S * 10/1961 Johnson et al. 239/135
D334,423 S * 3/1993 Demarest D23/226
6,056,213 A * 5/2000 Ruta B05B 7/066
239/323
D513,058 S * 12/2005 Hayduk D23/226

1 Claim, 8 Drawing Sheets

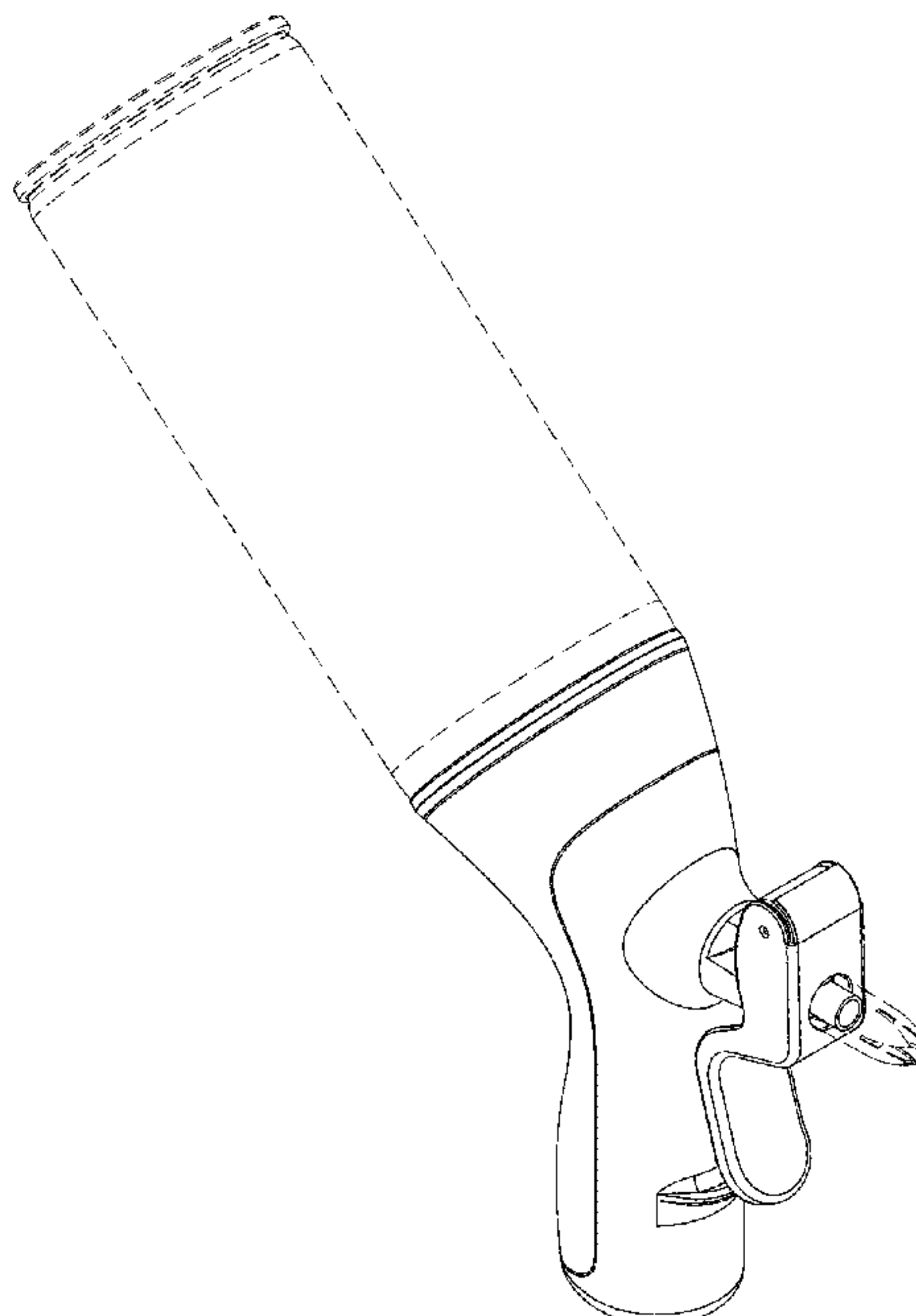


FIG. 1

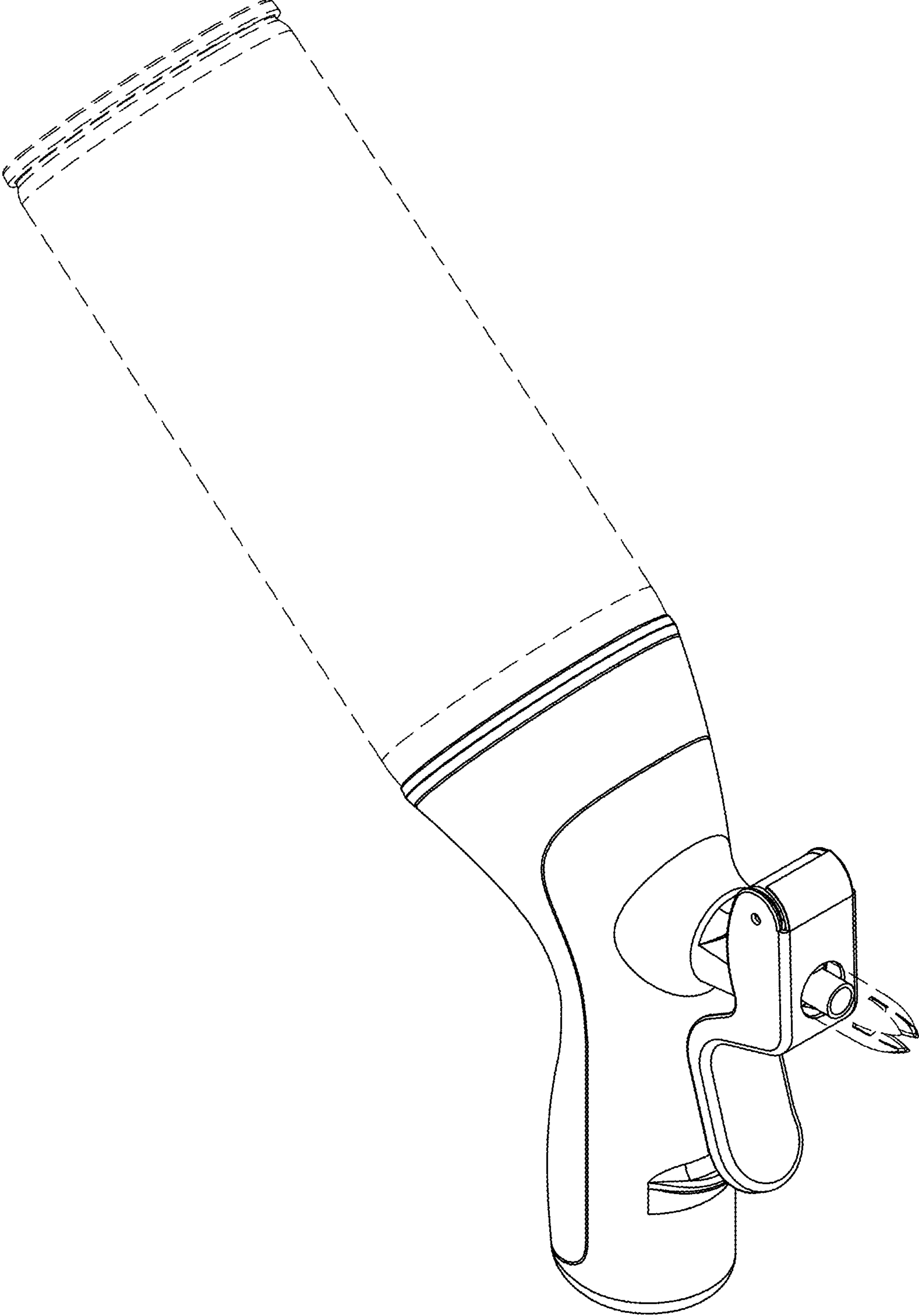


FIG. 2

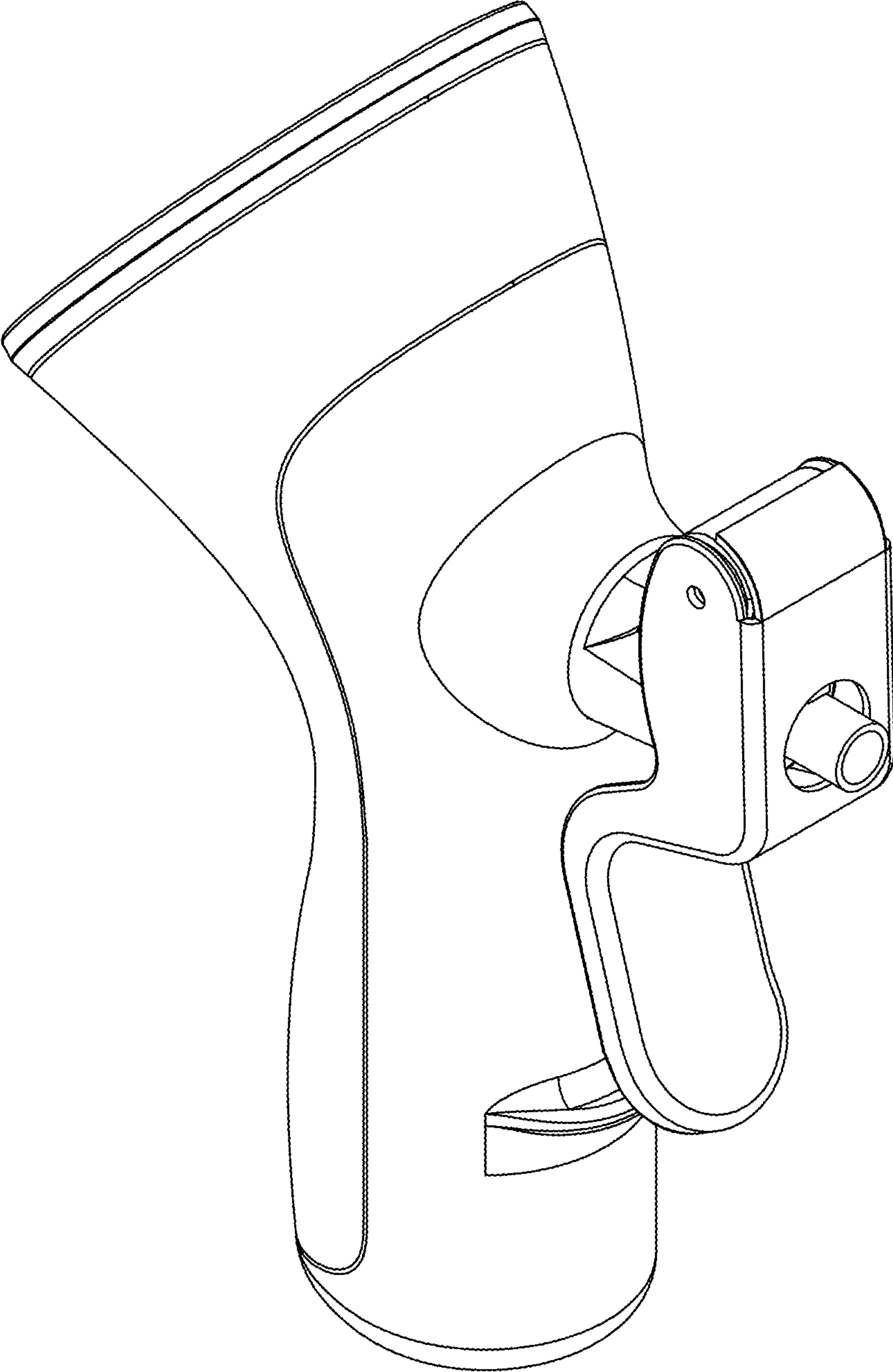


FIG. 3

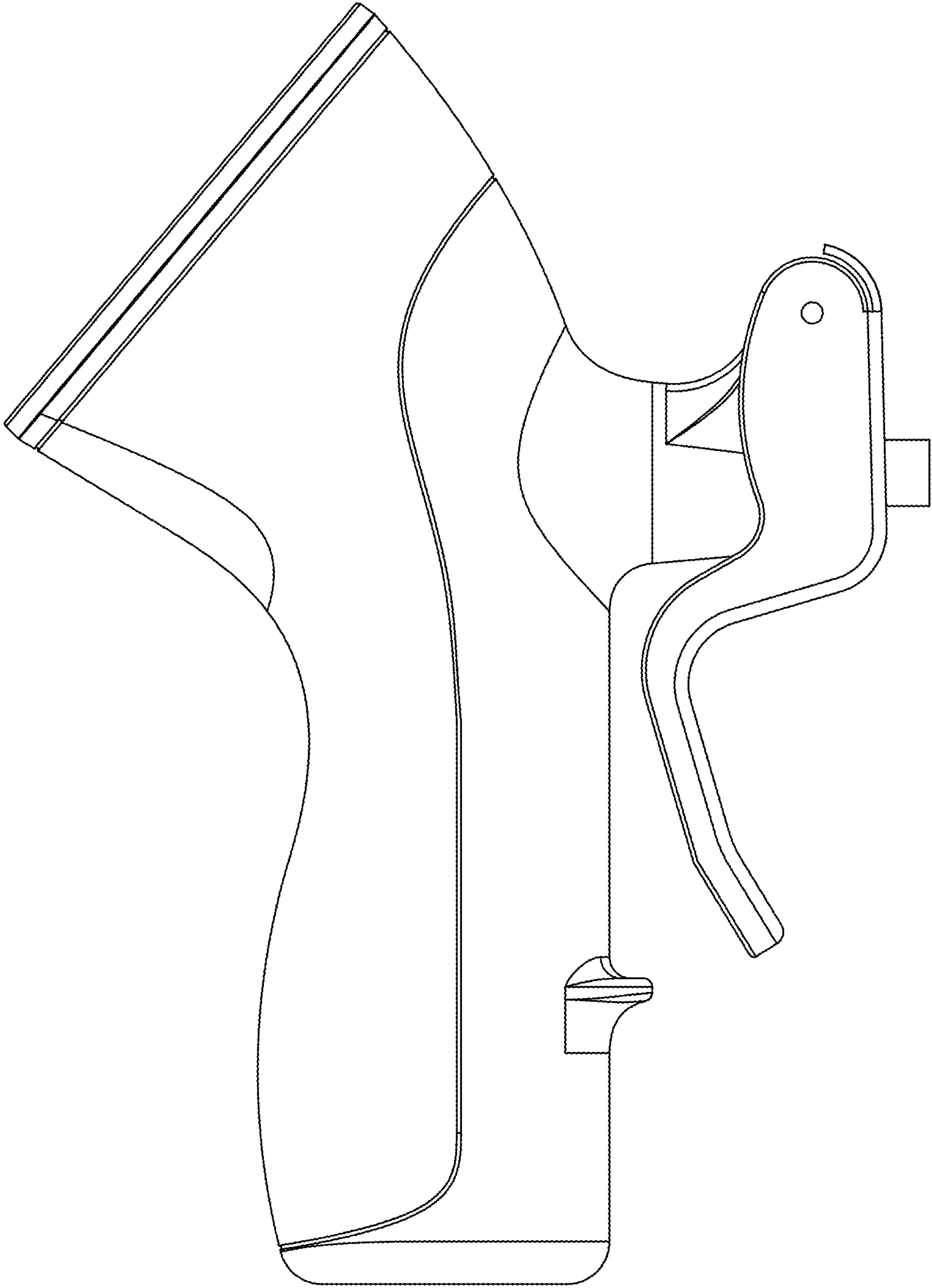


FIG. 4

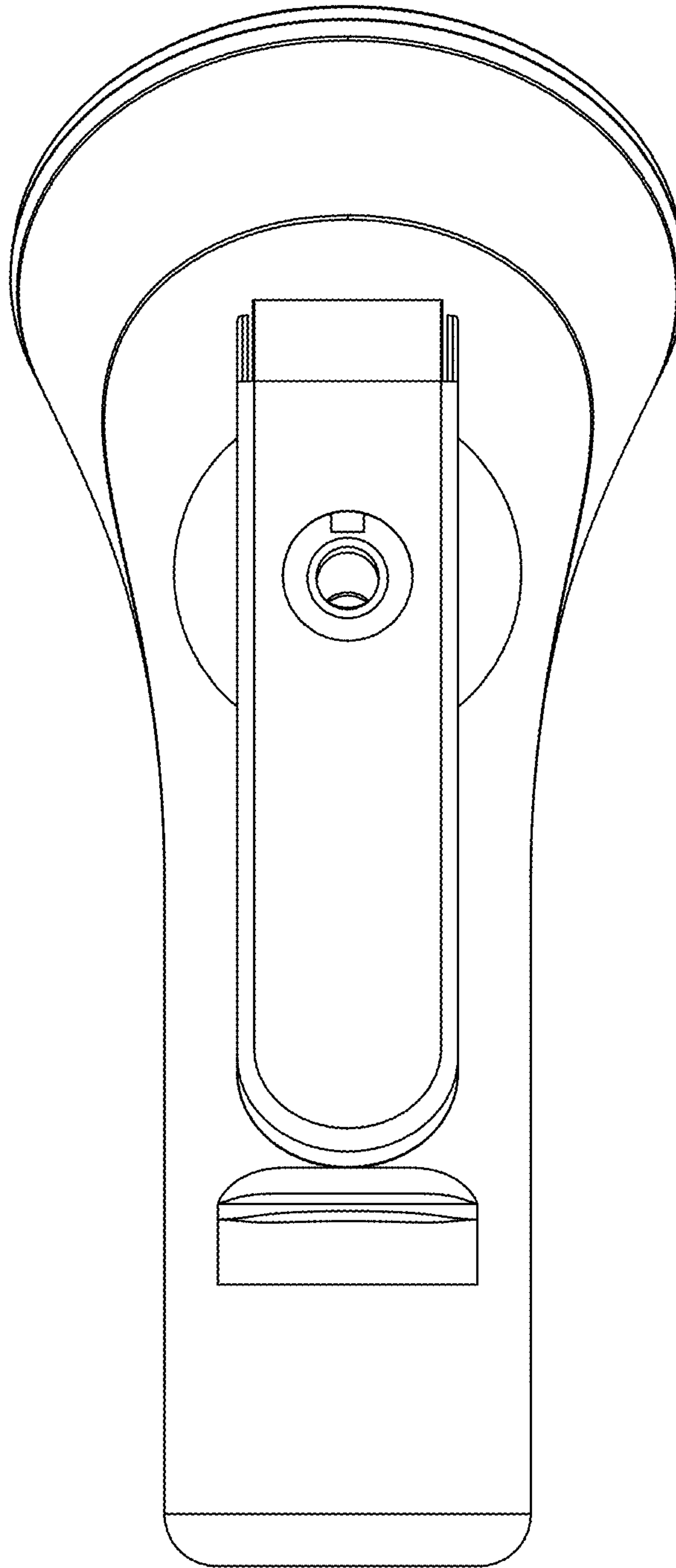


FIG. 5

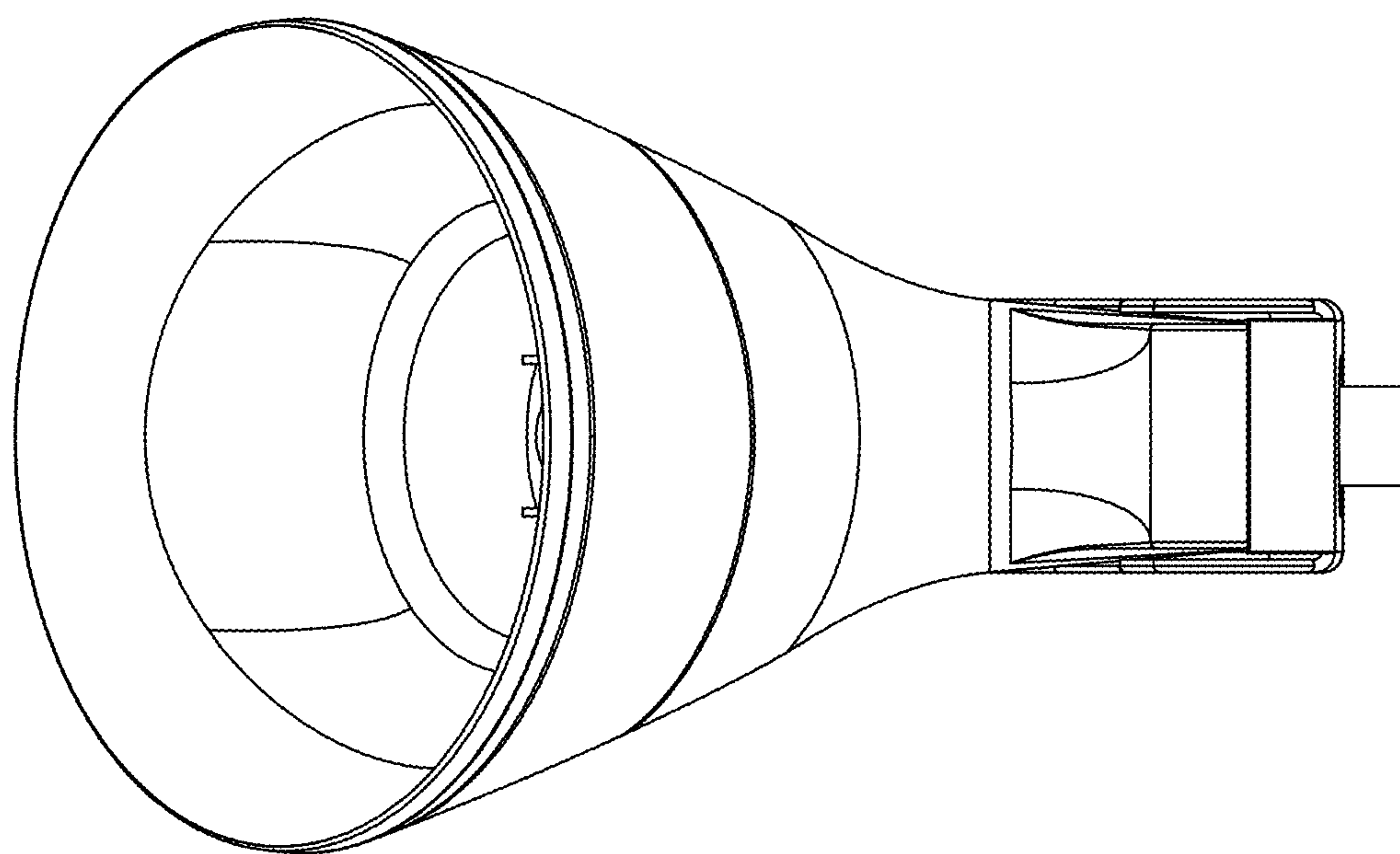


FIG. 6

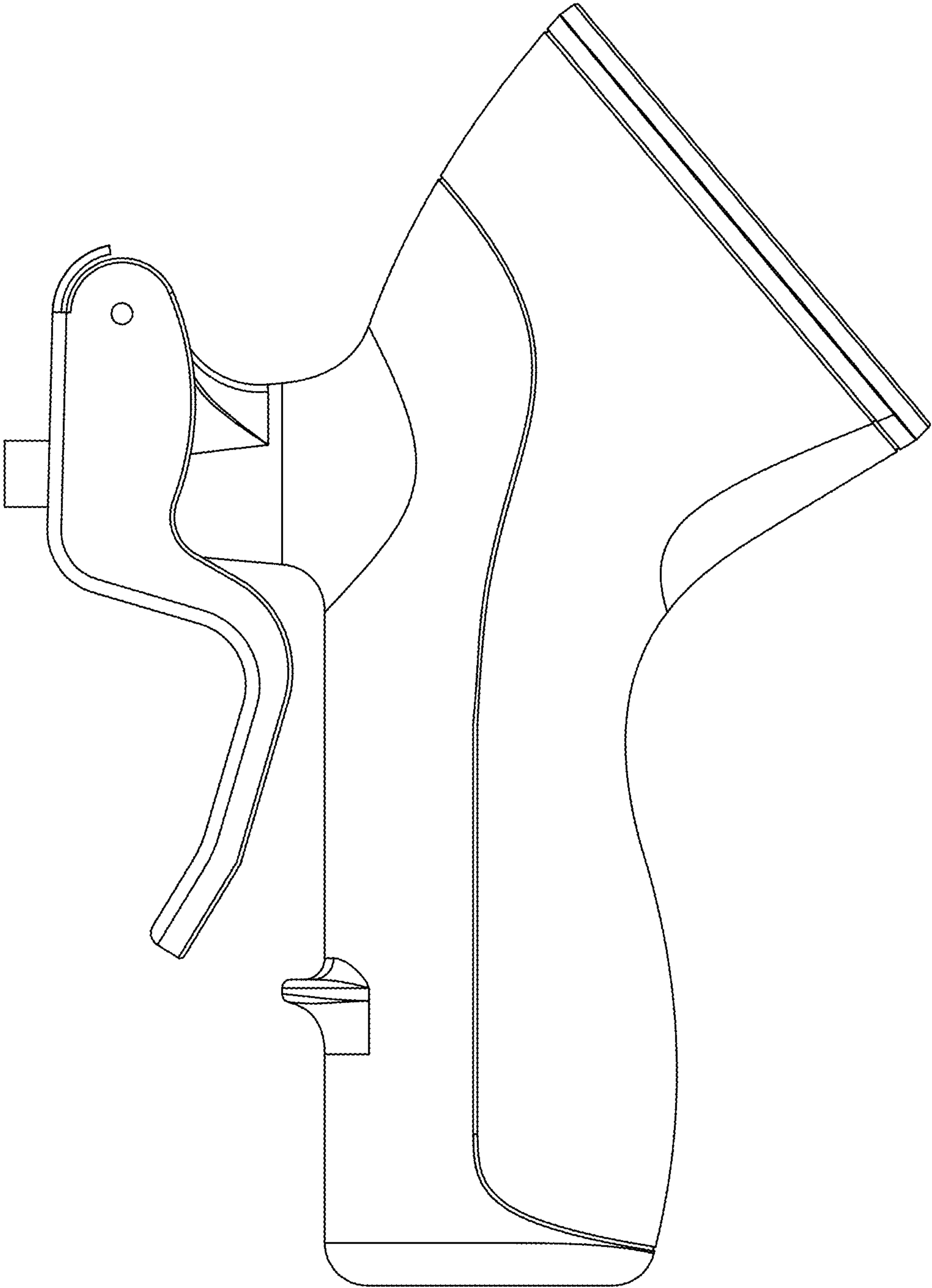


FIG. 7

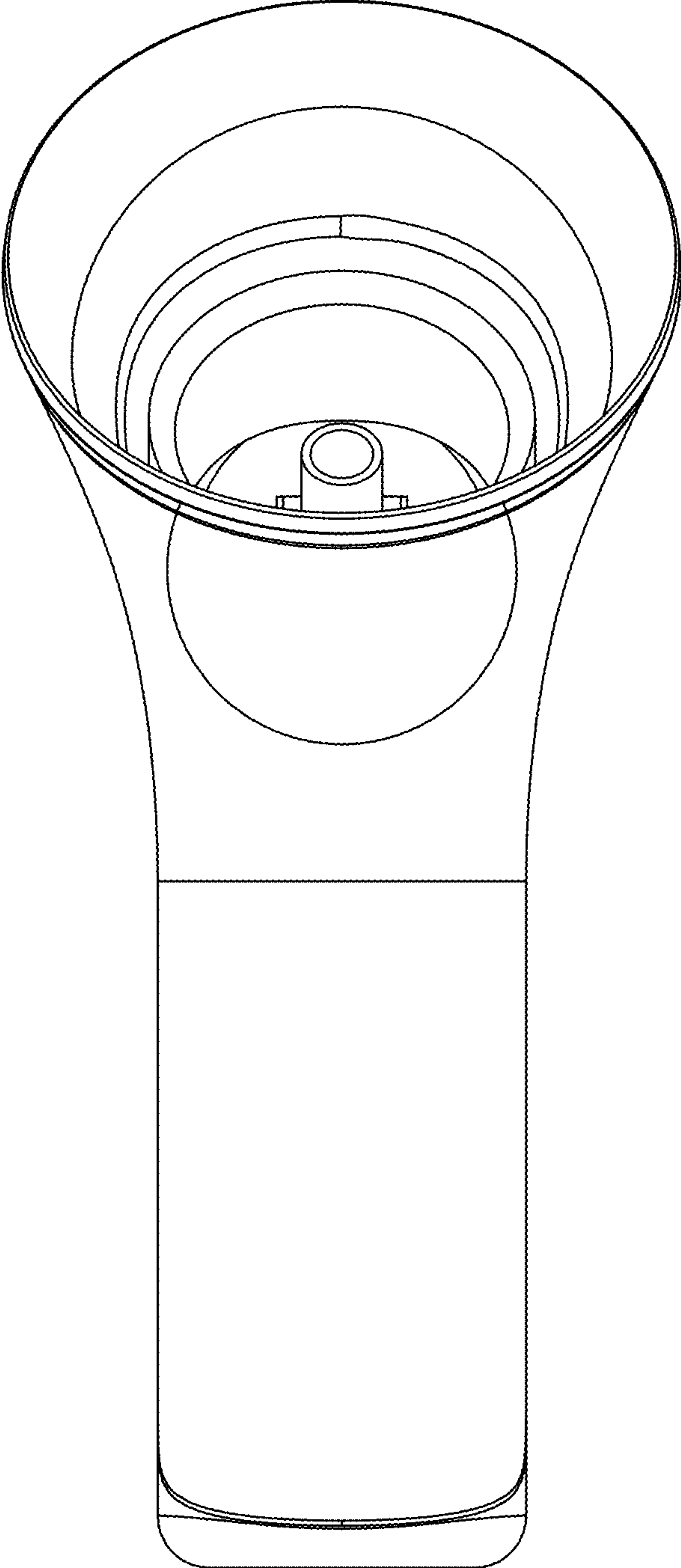


FIG. 8

