



US00D813981S

(12) **United States Design Patent**  
**Krombein**

(10) **Patent No.:** **US D813,981 S**

(45) **Date of Patent:** **\*\* Mar. 27, 2018**

(54) **WATERJET APPARATUS**

(71) Applicant: **Todd Krombein**, Phoenix, AZ (US)

(72) Inventor: **Todd Krombein**, Phoenix, AZ (US)

(\*\*) Term: **15 Years**

(21) Appl. No.: **29/571,561**

(22) Filed: **Jul. 19, 2016**

(51) **LOC (11) Cl.** ..... **23-01**

(52) **U.S. Cl.**  
USPC ..... **D23/213; D24/201**

(58) **Field of Classification Search**  
USPC ..... D23/213; D24/201; 4/490, 492, 496,  
4/541.6

CPC ..... B08B 9/0936; E04H 4/169; A63B 69/125;  
A61H 33/0087

See application file for complete search history.

(56) **References Cited**

**U.S. PATENT DOCUMENTS**

- 4,200,230 A \* 4/1980 Gould ..... B05B 17/04  
137/119.06
- 4,300,246 A \* 11/1981 Gould ..... E04H 4/169  
134/167 R
- 4,391,005 A \* 7/1983 Goetl ..... E04H 4/169  
134/167 R
- 6,301,723 B1 \* 10/2001 Goetl ..... E04H 4/169  
239/204
- 6,340,035 B2 1/2002 Wright
- 6,367,098 B1 \* 4/2002 Barnes ..... E04H 4/169  
4/490
- 6,971,588 B1 \* 12/2005 Tarr ..... B05B 3/0422  
239/204
- D591,863 S \* 5/2009 Holtsnider ..... D24/201
- 7,571,496 B2 \* 8/2009 Martin ..... E04H 4/169  
239/206
- D608,009 S \* 1/2010 Vogtner ..... D23/213
- D620,598 S \* 7/2010 Barajas ..... D24/201
- 7,819,338 B1 \* 10/2010 Goetl ..... E04H 4/169  
239/204

- D629,116 S \* 12/2010 Barajas ..... D24/201
- 8,308,081 B1 \* 11/2012 Goetl ..... E04H 4/169  
239/204
- 8,590,071 B1 \* 11/2013 Lopez ..... E04H 4/169  
239/204
- 8,607,374 B2 \* 12/2013 Lawyer ..... A61H 33/6063  
4/541.1
- D698,032 S \* 1/2014 Steimle ..... D24/201
- D724,694 S \* 3/2015 Bygbjerg ..... D23/213
- D728,070 S \* 4/2015 Schurle ..... D23/213
- D733,901 S \* 7/2015 Steimle ..... D24/201

(Continued)

**OTHER PUBLICATIONS**

Total Circulation—efficiency in energy and hydraulics, Product Catalog by A&A Manufacturing, Sep. 16, 2015, 60 pages, A&A Manufacturing, Phoenix, Arizona, USA.

*Primary Examiner* — Robin V Webster

(74) *Attorney, Agent, or Firm* — Knobbe, Martens, Olson & Bear, LLP

(57) **CLAIM**

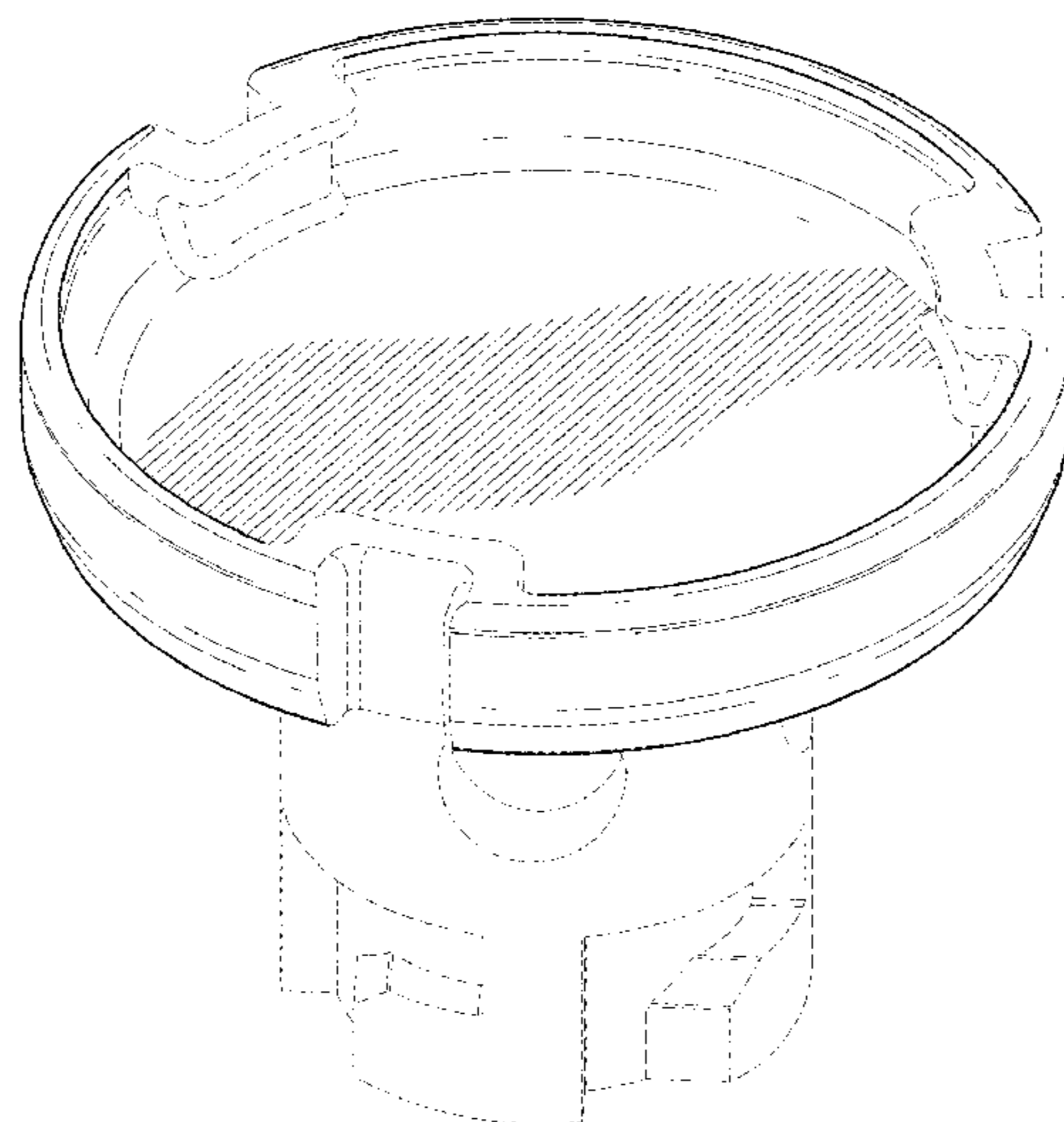
The ornamental design for a waterjet apparatus, as shown and described.

**DESCRIPTION**

FIG. 1 is a top-side isometric view of an embodiment of the design for a waterjet apparatus;  
FIG. 2 is a bottom-side isometric view thereof;  
FIG. 3 is a first side view thereof;  
FIG. 4 is a second side view thereof;  
FIG. 5 is a third side view thereof;  
FIG. 6 is a fourth side view thereof;  
FIG. 7 is a top view thereof; and,  
FIG. 8 is a bottom view thereof.

The broken line showing of portions of the waterjet apparatus is included for the purpose of illustrating and forms no part of the claimed design.

**1 Claim, 8 Drawing Sheets**



(56)

**References Cited**

U.S. PATENT DOCUMENTS

D734,427	S	*	7/2015	Bygbjerg	.....	D23/213
9,267,303	B1	*	2/2016	Goettl	.....	E04H 4/00
D757,892	S	*	5/2016	Walker	.....	D23/213
D757,893	S	*	5/2016	Walker	.....	D23/213
D762,868	S	*	8/2016	Walker	.....	D24/201

\* cited by examiner

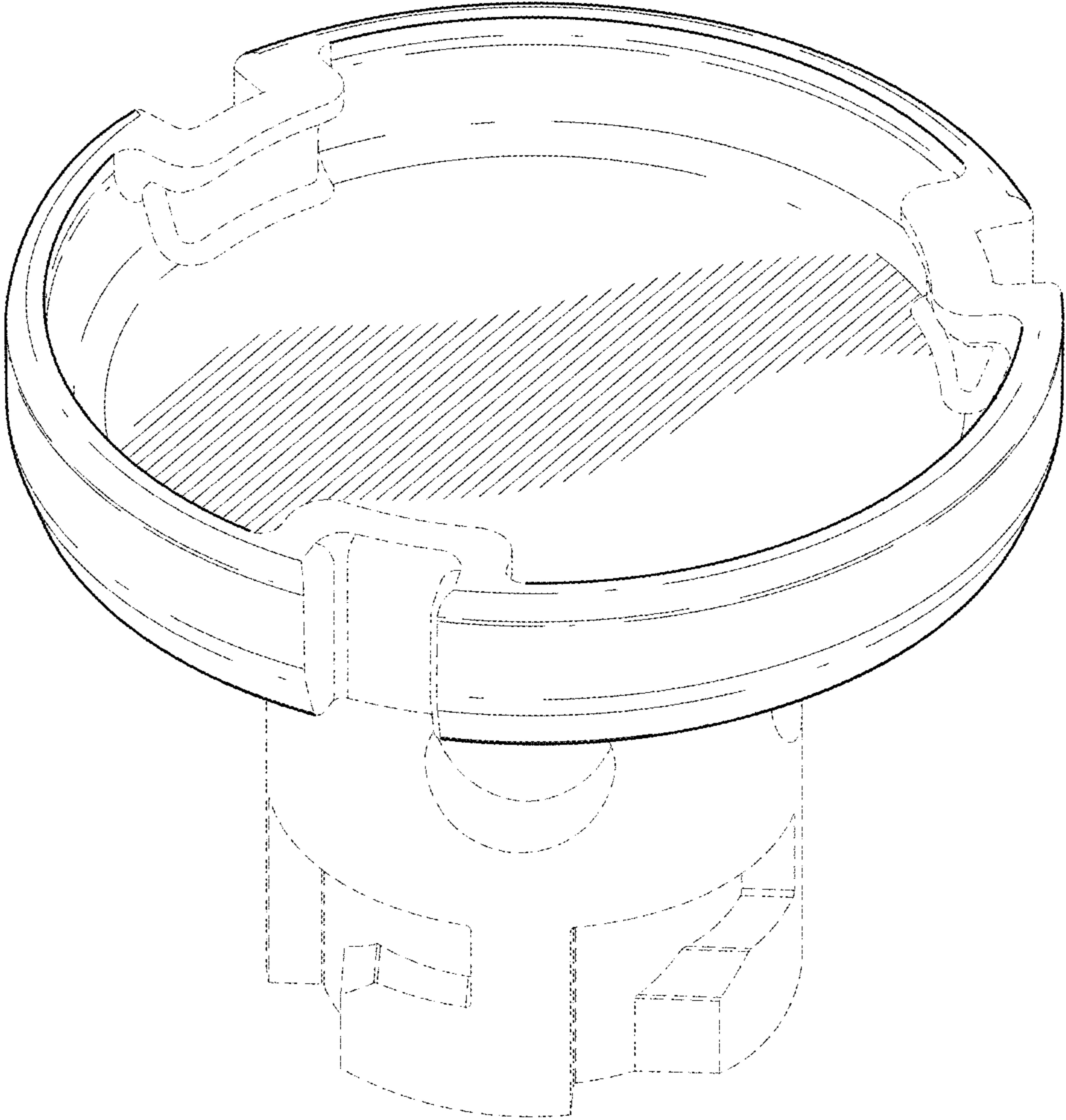


FIG. 1

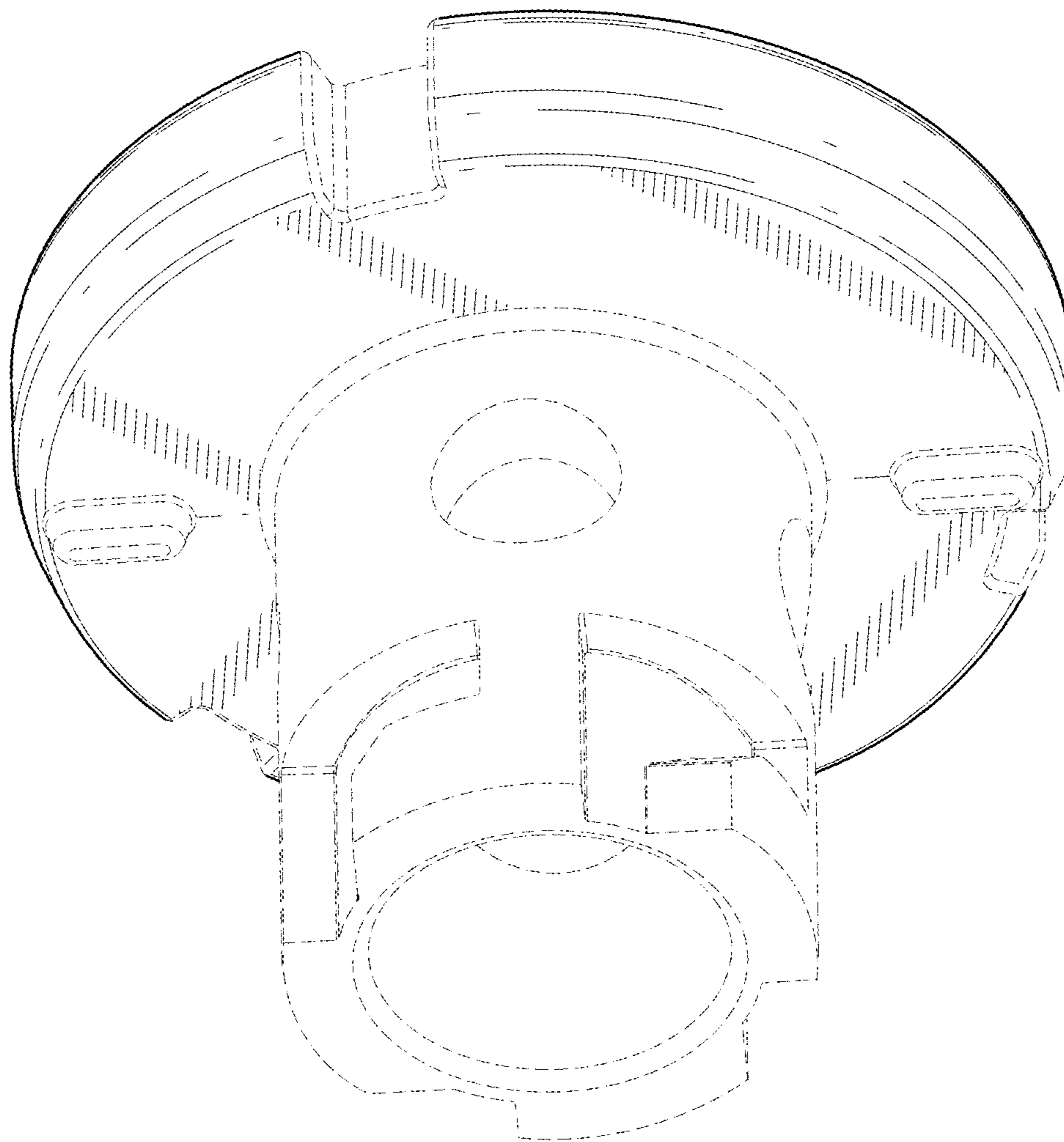


FIG. 2

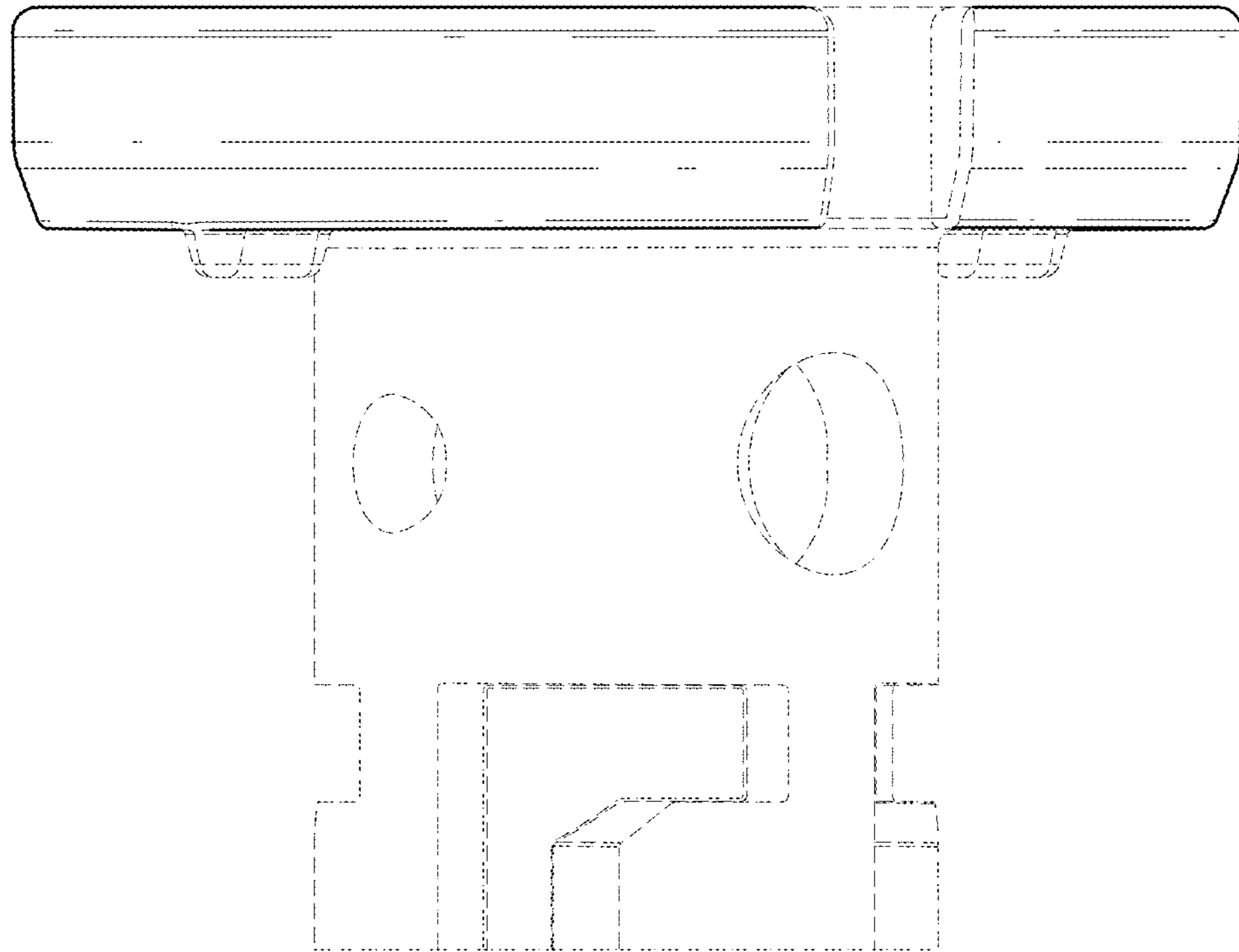


FIG. 3

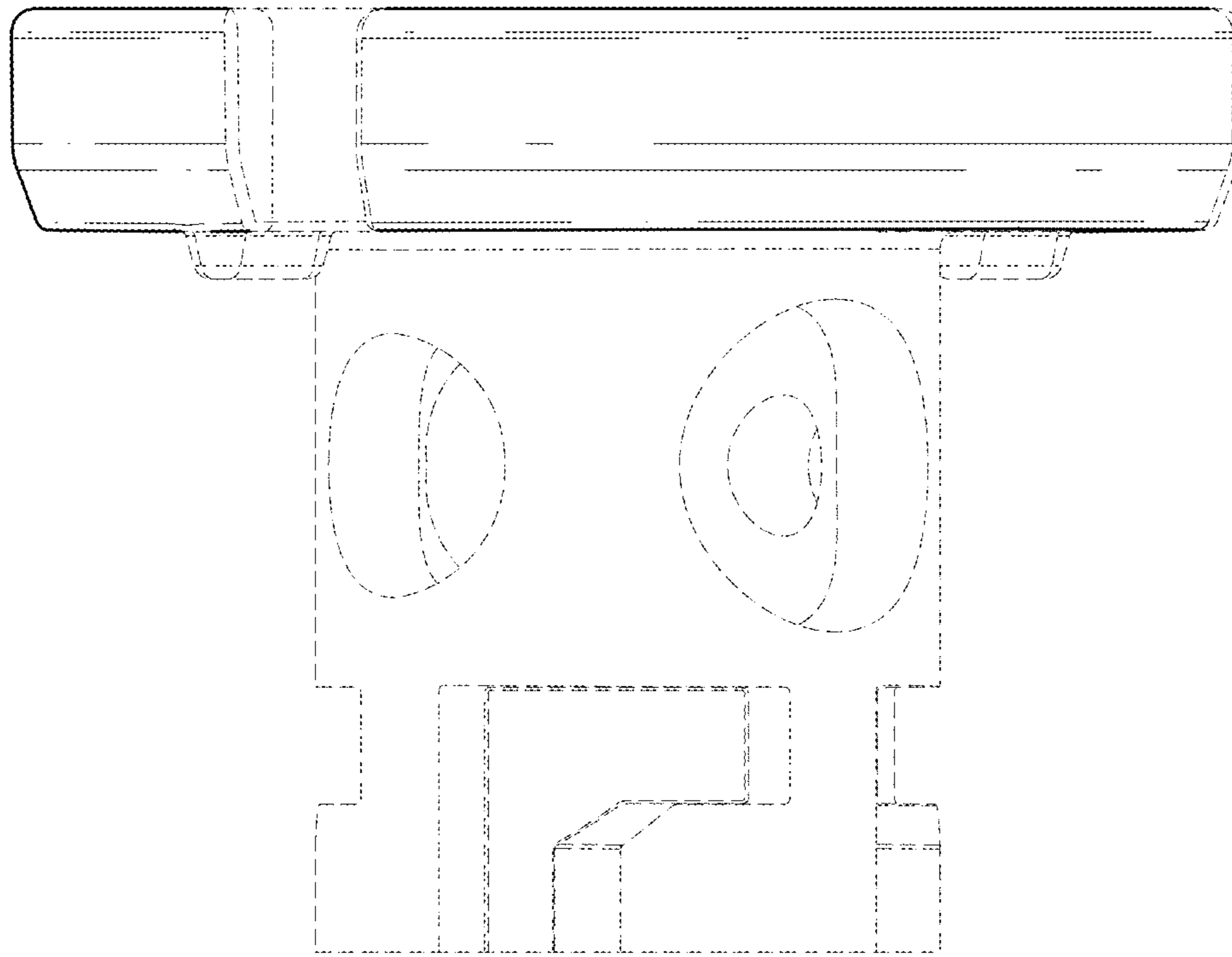


FIG. 4



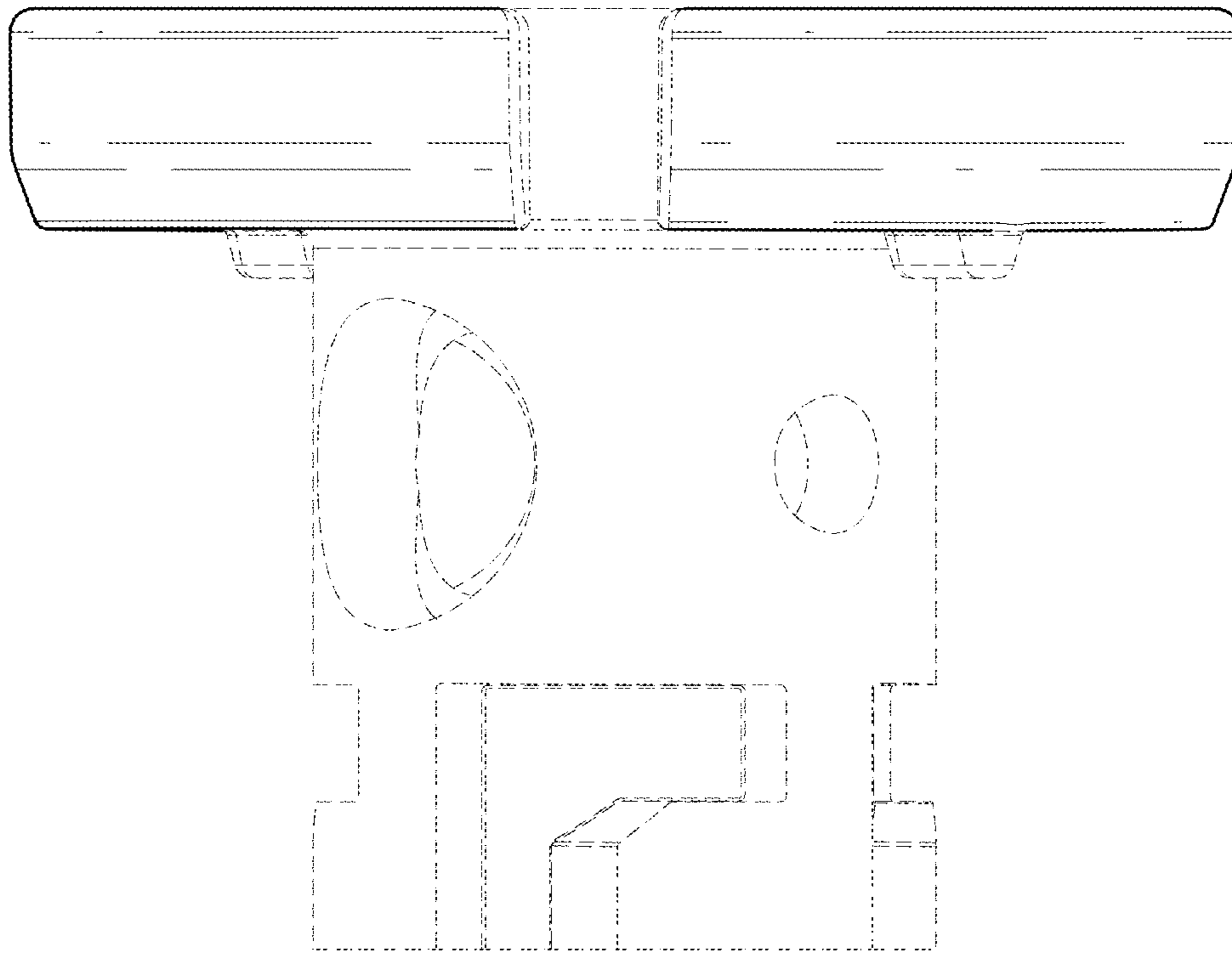


FIG. 5

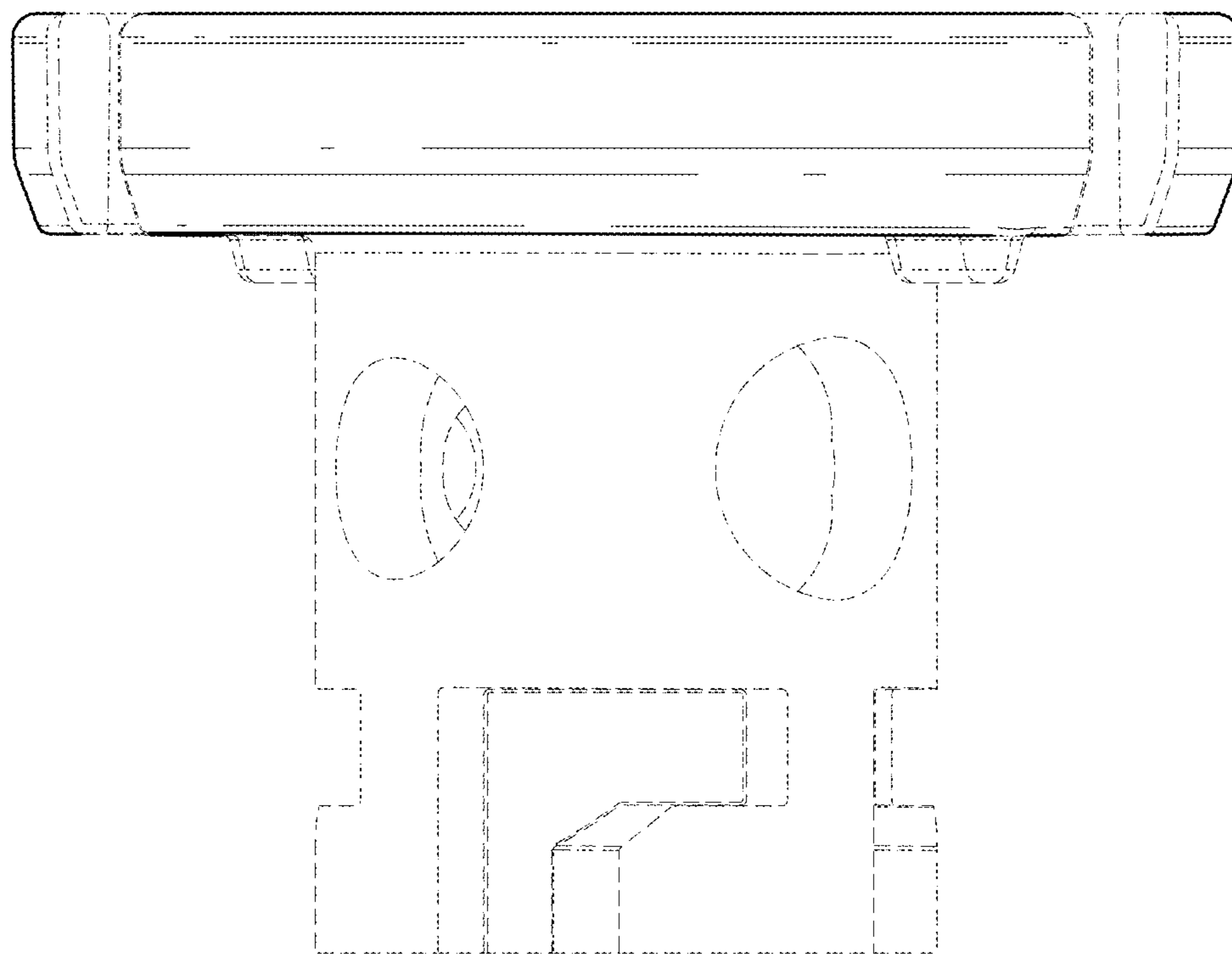


FIG. 6



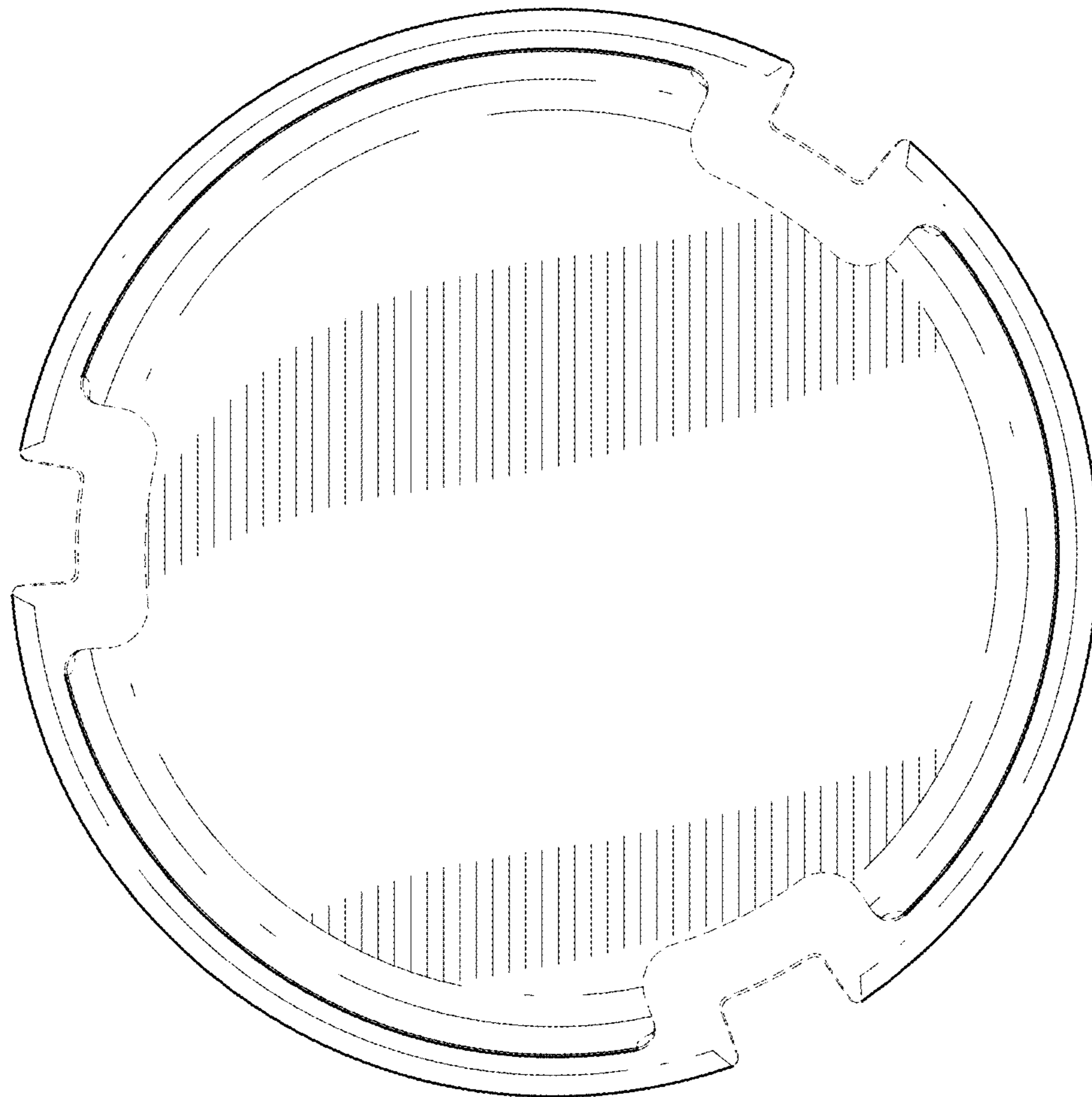


FIG. 7

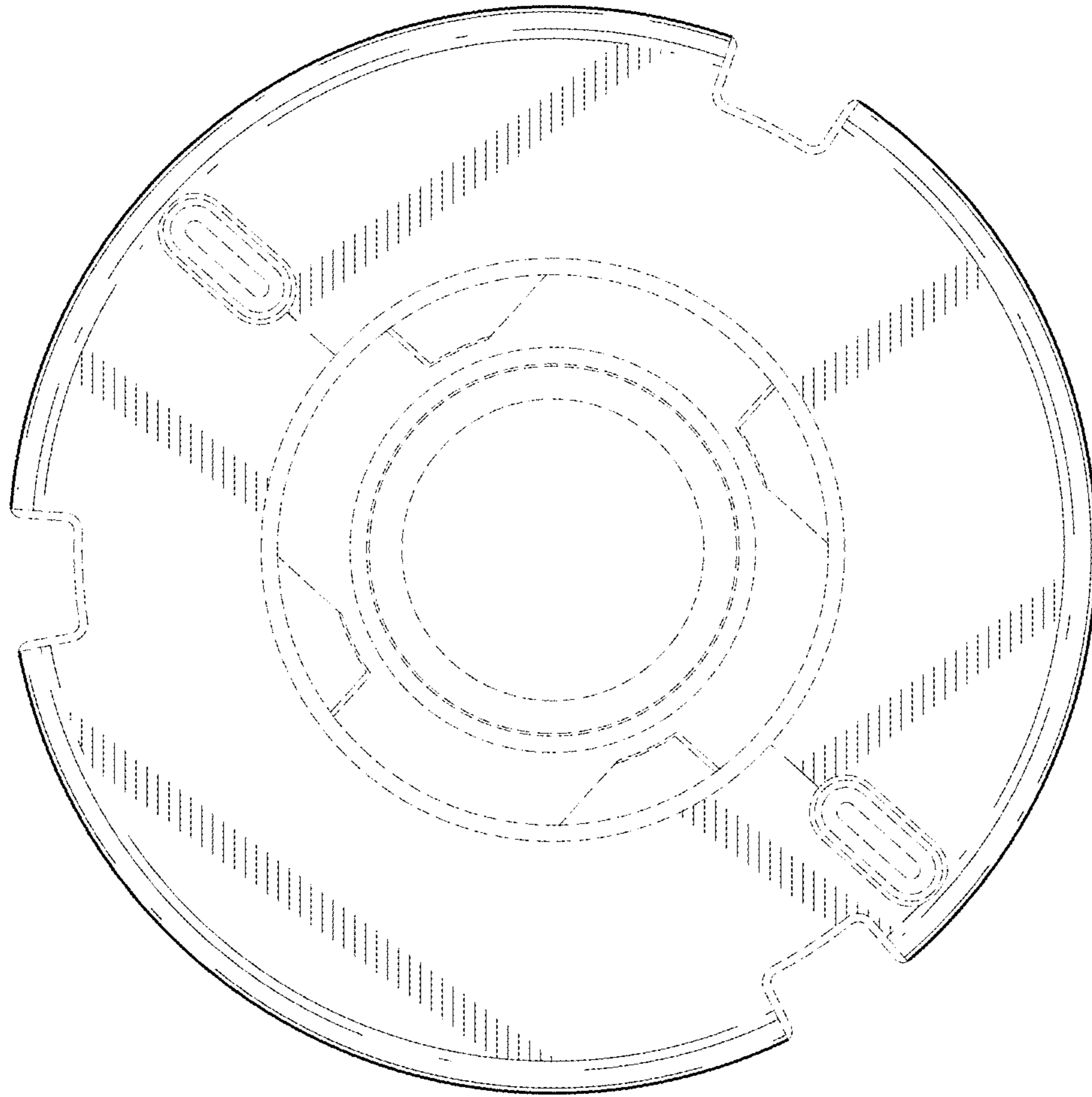


FIG. 8