



US00D813980S

(12) **United States Design Patent**  
**Krombein**

(10) **Patent No.:** **US D813,980 S**

(45) **Date of Patent:** **\*\* Mar. 27, 2018**

(54) **WATERJET APPARATUS**

(71) Applicant: **Todd Krombein**, Phoenix, AZ (US)

(72) Inventor: **Todd Krombein**, Phoenix, AZ (US)

(\*\*) Term: **15 Years**

(21) Appl. No.: **29/571,556**

(22) Filed: **Jul. 19, 2016**

(51) **LOC (11) Cl.** ..... **23-01**

(52) **U.S. Cl.**  
USPC ..... **D23/213; D24/201**

(58) **Field of Classification Search**  
USPC ..... **D23/213; D24/201; 4/490, 492, 496, 4/541.6**

(Continued)

(56) **References Cited**

**U.S. PATENT DOCUMENTS**

4,200,230 A \* 4/1980 Gould ..... B05B 17/04  
137/119.06  
4,300,246 A \* 11/1981 Gould ..... E04H 4/169  
134/167 R

(Continued)

**OTHER PUBLICATIONS**

In-Floor Cleaning & Circulation, PCC 2000, Paramount, Chandler, Arizona, USA, <http://1paramount.com/products/aapdf/PCC2000Brochure.pdf>, document available on or before Mar. 9, 2009 (per Internet Archive Wayback Machine, [http://web.archive.org/web/20160128003601/http://www.1paramount.com/products/aapdf/PCC2000Brochure.pdf](http://web.archive.org/web/20090309014554/http://1paramount.com/products/pcc/linking_to_http://web.archive.org/web/20160128003601/http://www.1paramount.com/products/aapdf/PCC2000Brochure.pdf)), Accessed on Nov. 7, 2016, 12 pages.

*Primary Examiner* — Robin V Webster

(74) *Attorney, Agent, or Firm* — Knobbe, Martens, Olson & Bear, LLP

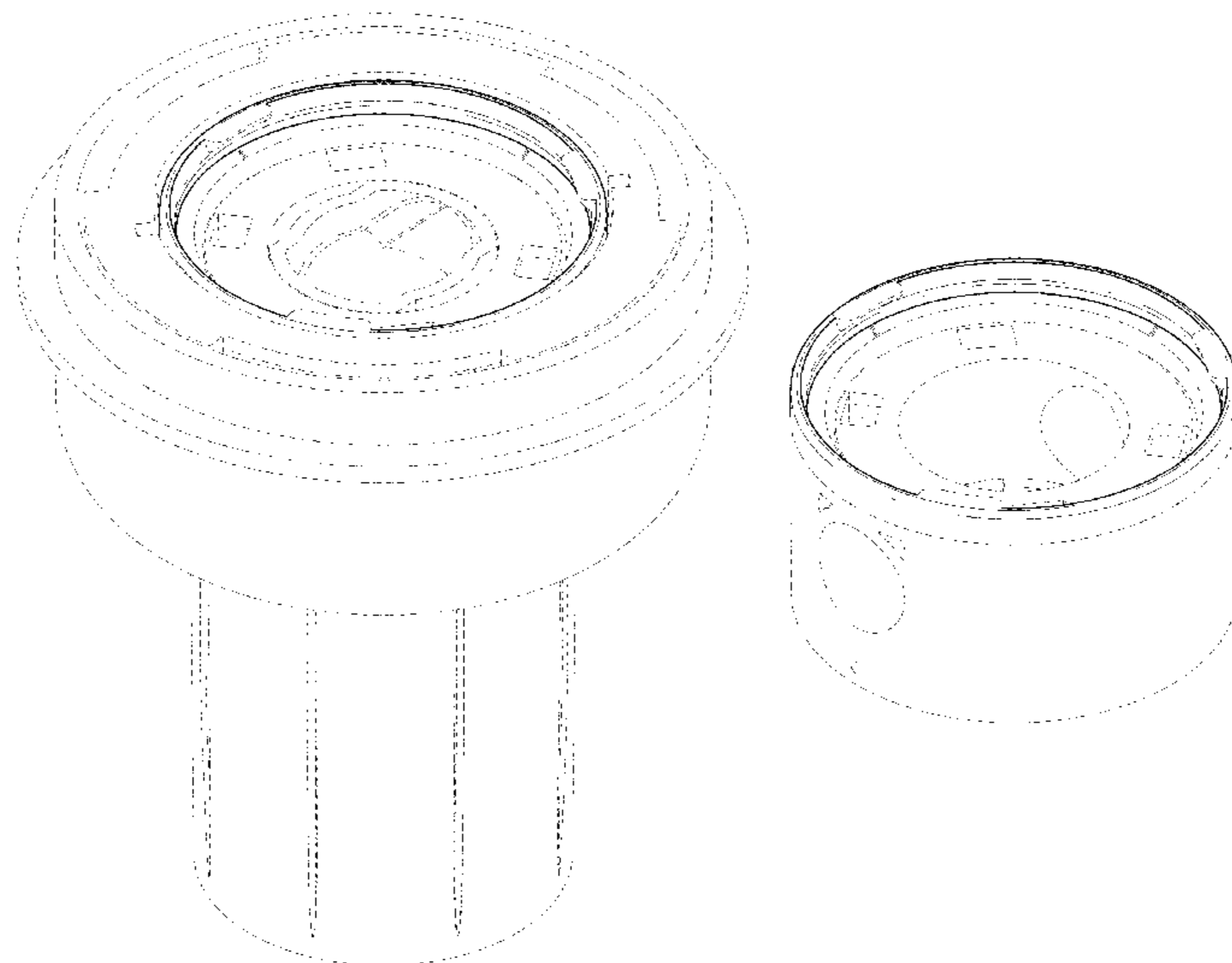
(57) **CLAIM**

The ornamental design for a waterjet apparatus, as shown and described.

**DESCRIPTION**

FIG. 1 is a top side isometric view of a first embodiment of the design for a waterjet apparatus;  
FIG. 2 is a bottom side isometric view thereof;  
FIG. 3 is a cross sectional top-side isometric view thereof;  
FIG. 4 is a partially exploded top-side isometric view thereof;  
FIG. 5 is a first side view thereof;  
FIG. 6 is a second side view thereof;  
FIG. 7 is a third side view thereof;  
FIG. 8 is a fourth side view thereof;  
FIG. 9 is a top view thereof; and  
FIG. 10 is a bottom view thereof.  
FIG. 11 is a top-side isometric view of a second embodiment of the design for a waterjet apparatus;  
FIG. 12 is a bottom-side isometric view thereof;  
FIG. 13 is a first side view thereof;  
FIG. 14 is a second side view thereof;  
FIG. 15 is a third side view thereof;  
FIG. 16 is a fourth side view thereof;  
FIG. 17 is a top view thereof; and  
FIG. 18 is a bottom view thereof.  
FIG. 19 is a top-side isometric view of a third embodiment of the design for a waterjet apparatus;  
FIG. 20 is a bottom-side isometric view thereof;  
FIG. 21 is a cross-sectional top-side isometric view thereof;  
FIG. 22 is a first side view thereof;  
FIG. 23 is a second side view thereof;  
FIG. 24 is a third side view thereof;  
FIG. 25 is a fourth side view thereof;  
FIG. 26 is a top view thereof; and  
FIG. 27 is a bottom view thereof.  
The broken line showing of portions of the waterjet apparatus is included for the purpose of illustrating and forms no part of the claimed design.

**1 Claim, 21 Drawing Sheets**



# US D813,980 S

Page 2

- (58) **Field of Classification Search**  
CPC ..... B08B 9/0936; E04H 4/169; A63B 69/125;  
A61H 33/0087  
See application file for complete search history.

(56) **References Cited**

U.S. PATENT DOCUMENTS

4,391,005 A \* 7/1983 Goettl ..... E04H 4/169  
134/167 R  
6,301,723 B1 \* 10/2001 Goettl ..... E04H 4/169  
239/204  
6,340,035 B2 1/2002 Wright  
6,367,098 B1 \* 4/2002 Barnes ..... E04H 4/169  
4/490  
6,971,588 B1 \* 12/2005 Tarr ..... B05B 3/0422  
239/204  
D591,863 S \* 5/2009 Holtsnider ..... D24/201  
7,571,496 B2 \* 8/2009 Martin ..... E04H 4/169  
239/206

D608,009 S \* 1/2010 Vogtner ..... D23/213  
D620,598 S \* 7/2010 Barajas ..... D24/201  
7,819,338 B1 \* 10/2010 Goettl ..... E04H 4/169  
239/204  
D629,116 S \* 12/2010 Barajas ..... D24/201  
8,308,081 B1 \* 11/2012 Goettl ..... E04H 4/169  
239/204  
8,590,071 B1 \* 11/2013 Lopez ..... E04H 4/169  
239/204  
8,607,374 B2 \* 12/2013 Lawyer ..... A61H 33/6063  
4/541.1  
D698,032 S \* 1/2014 Steimle ..... D24/201  
D724,694 S \* 3/2015 Bygbjerg ..... D23/213  
D728,070 S \* 4/2015 Schurle ..... D23/213  
D733,901 S \* 7/2015 Steimle ..... D24/201  
D734,427 S \* 7/2015 Bygbjerg ..... D23/213  
9,267,303 B1 \* 2/2016 Goettl ..... E04H 4/00  
D757,892 S \* 5/2016 Walker ..... D23/213  
D757,893 S \* 5/2016 Walker ..... D23/213  
D762,868 S \* 8/2016 Walker ..... D24/201

\* cited by examiner

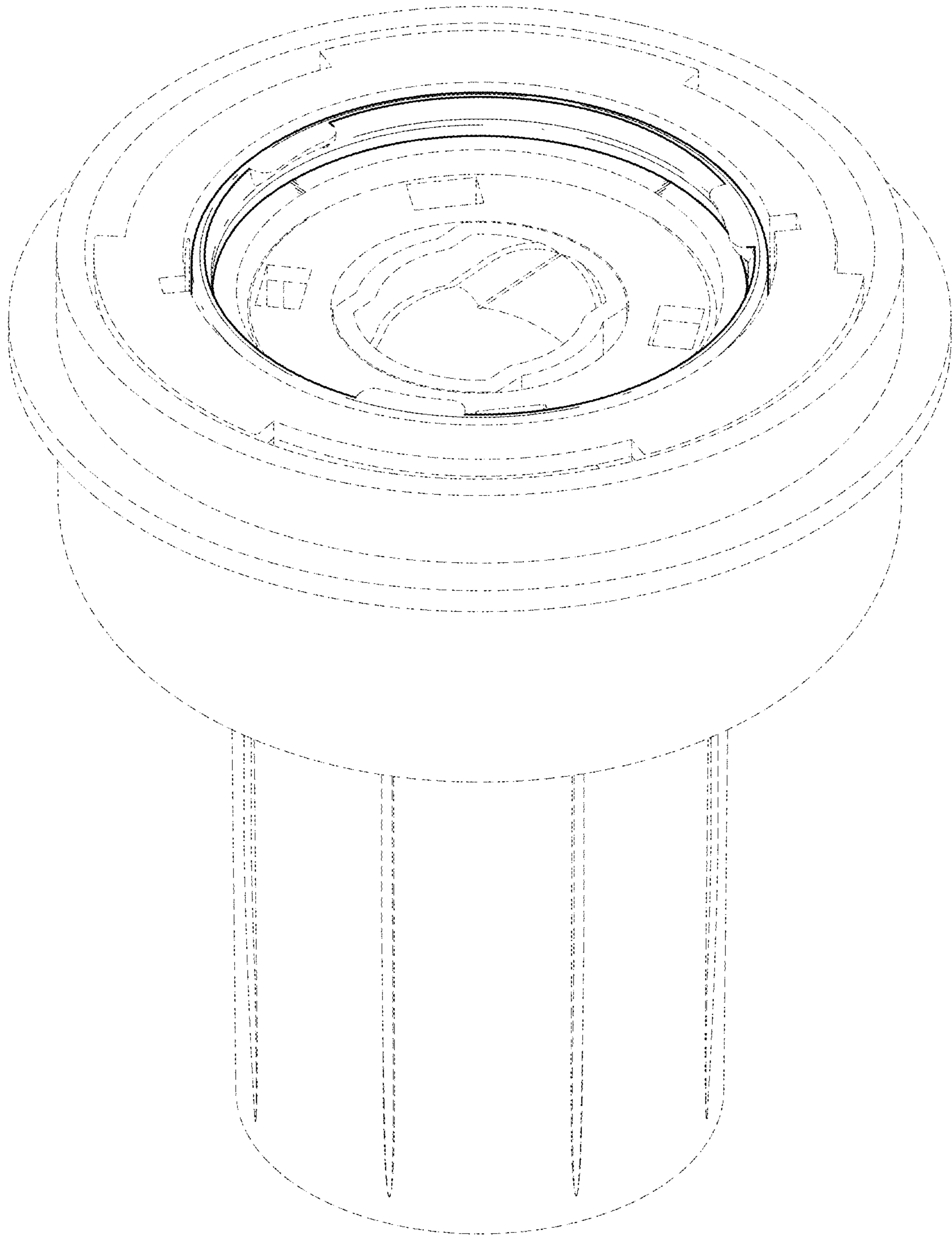


FIG. 1

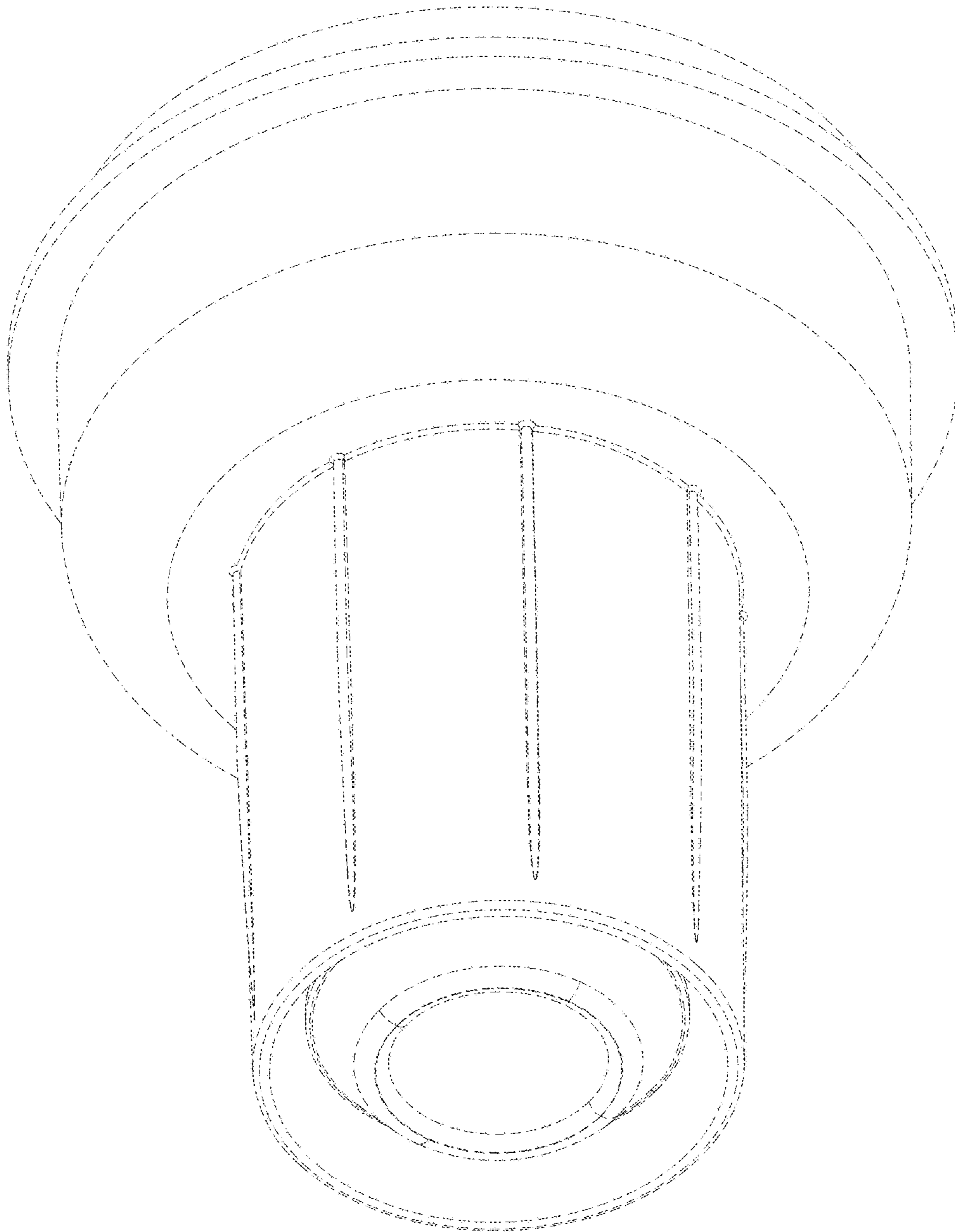


FIG. 2



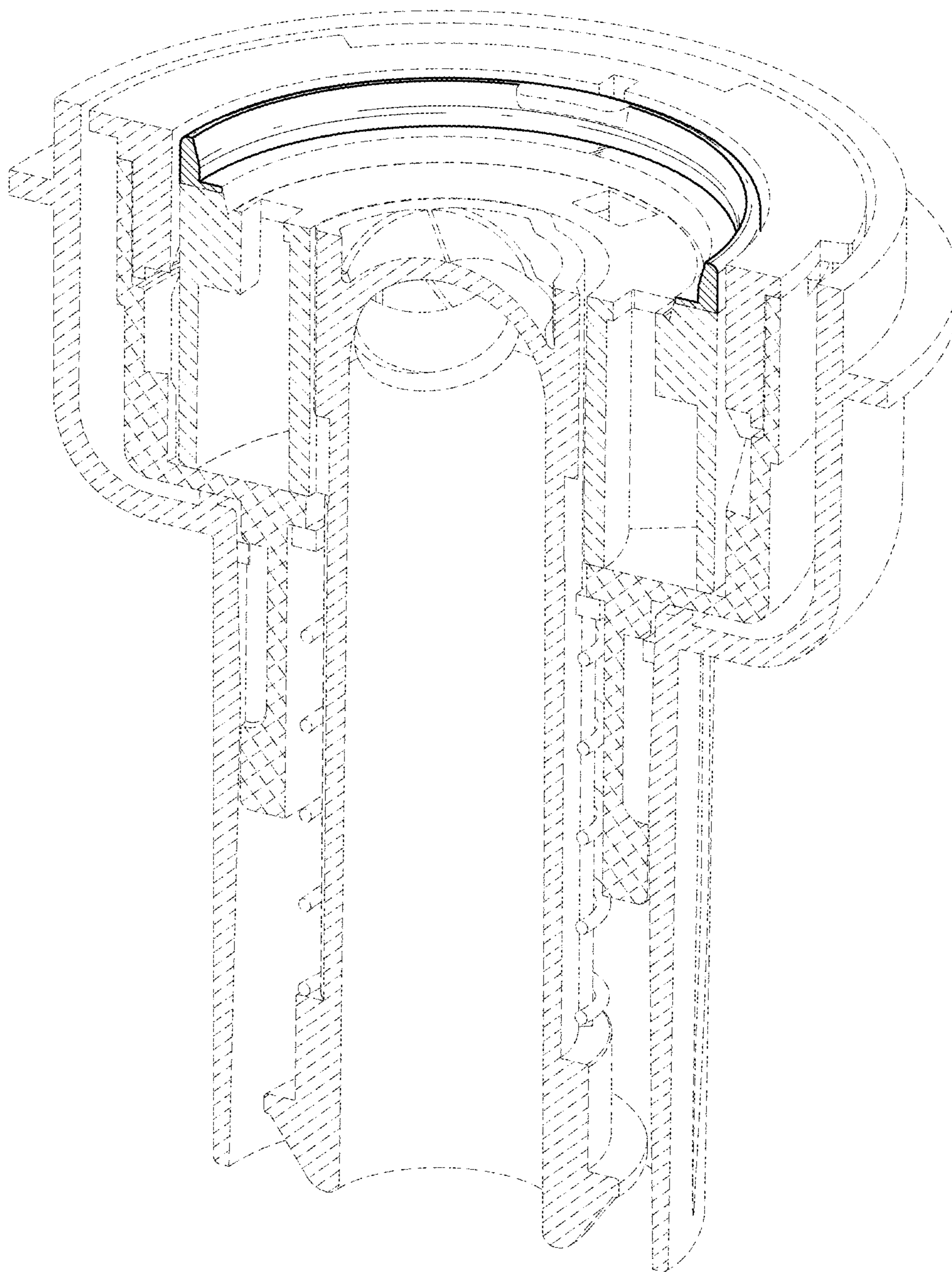


FIG. 3

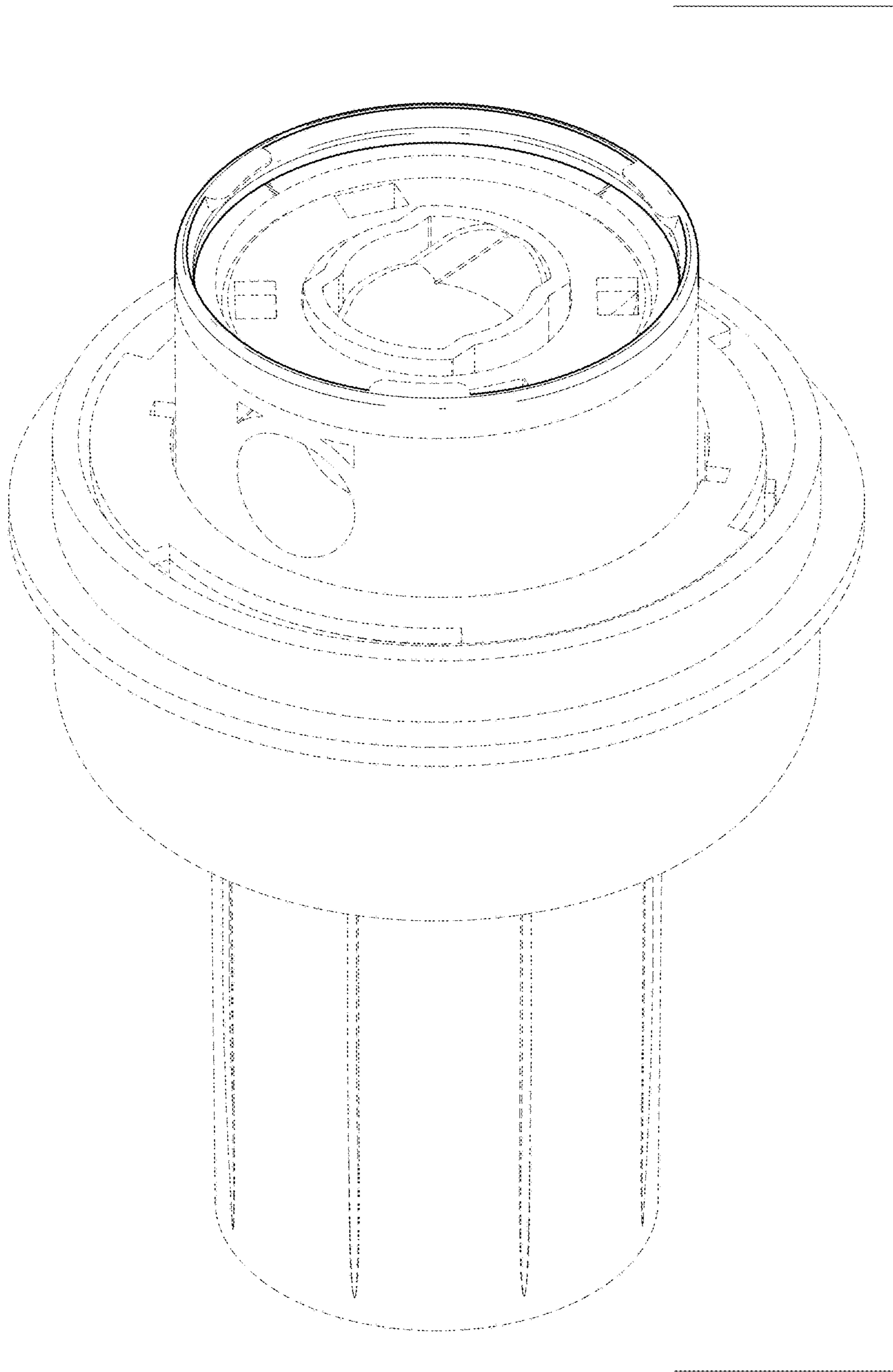


FIG. 4

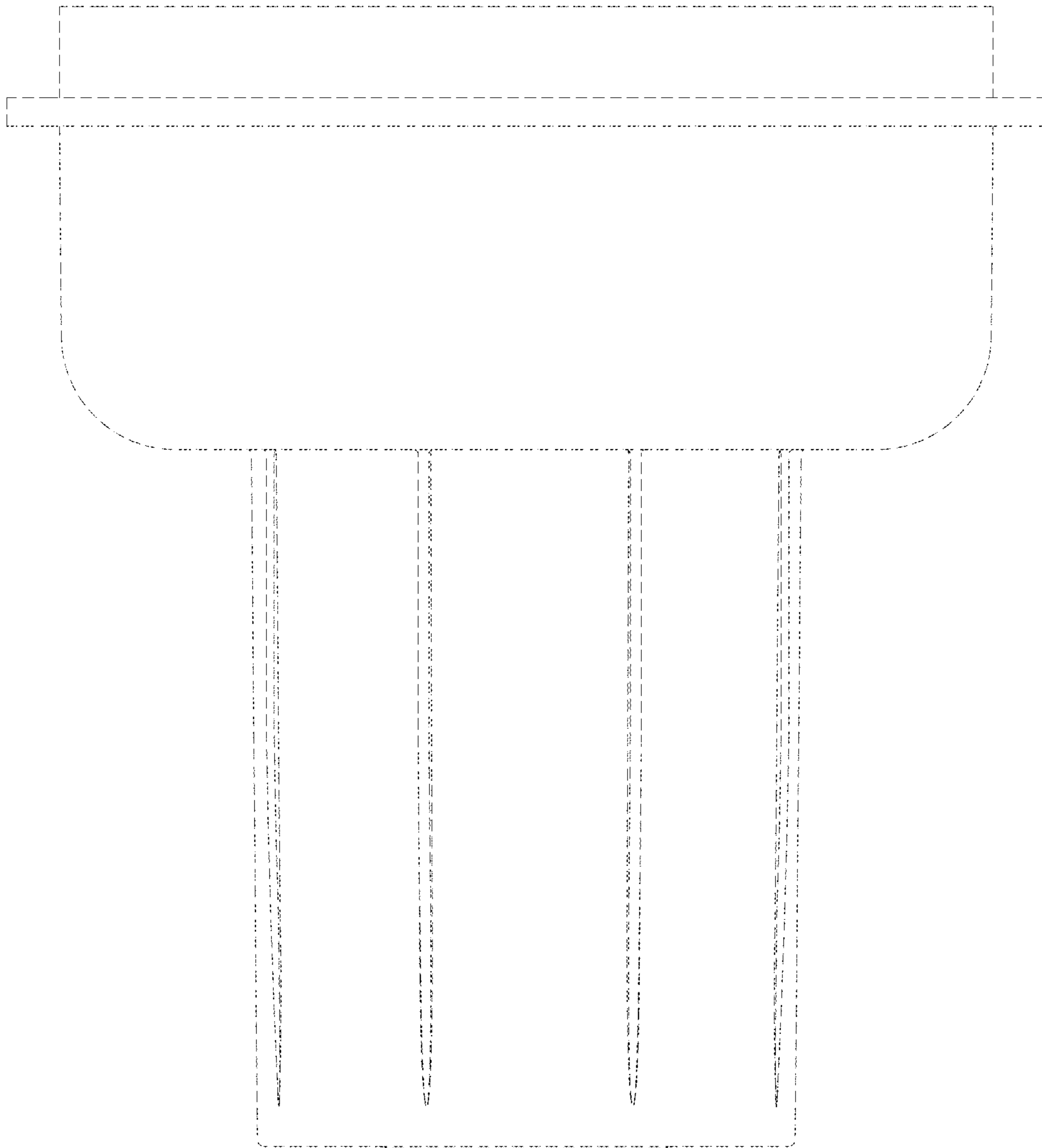


FIG. 5

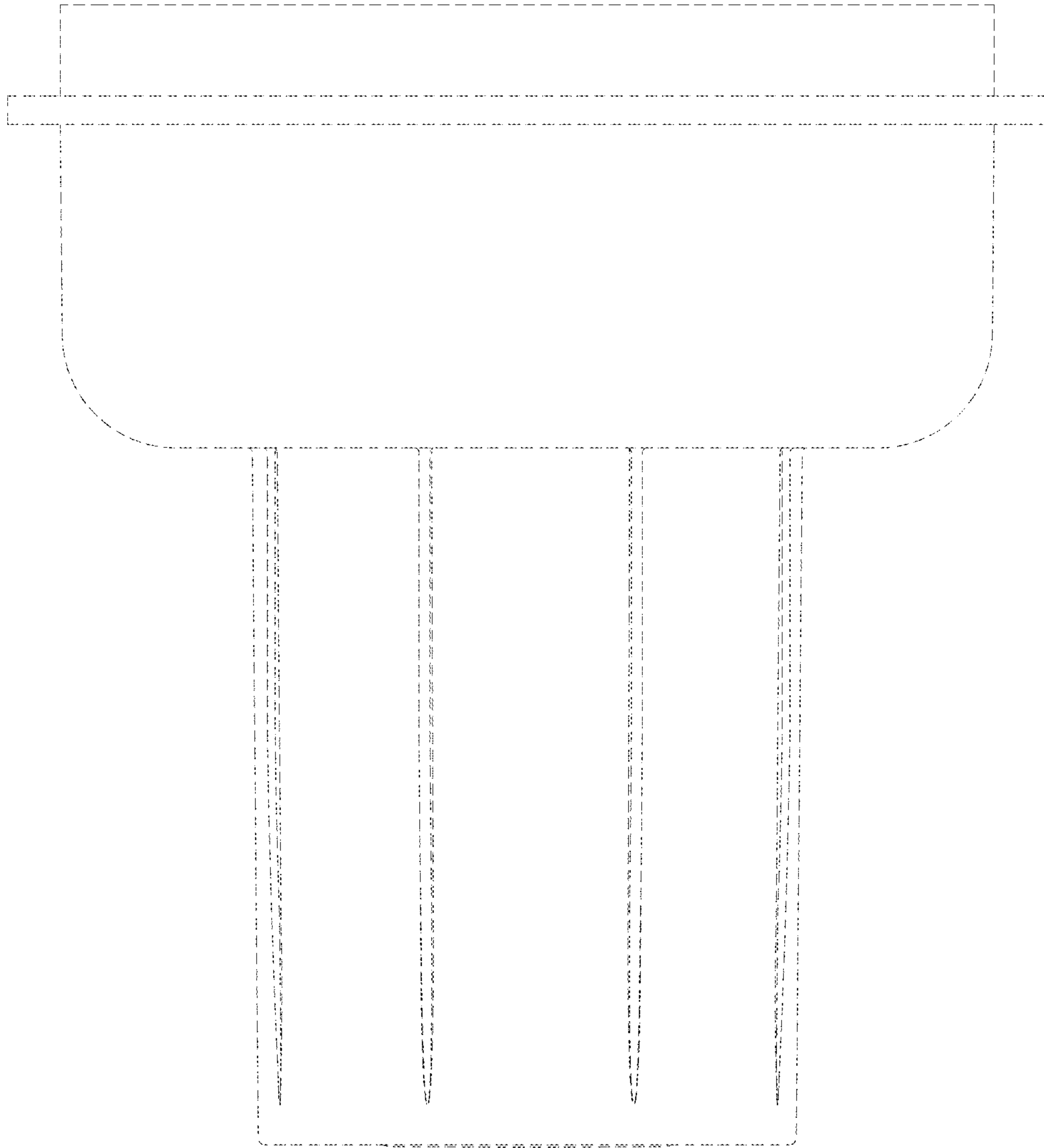


FIG. 6



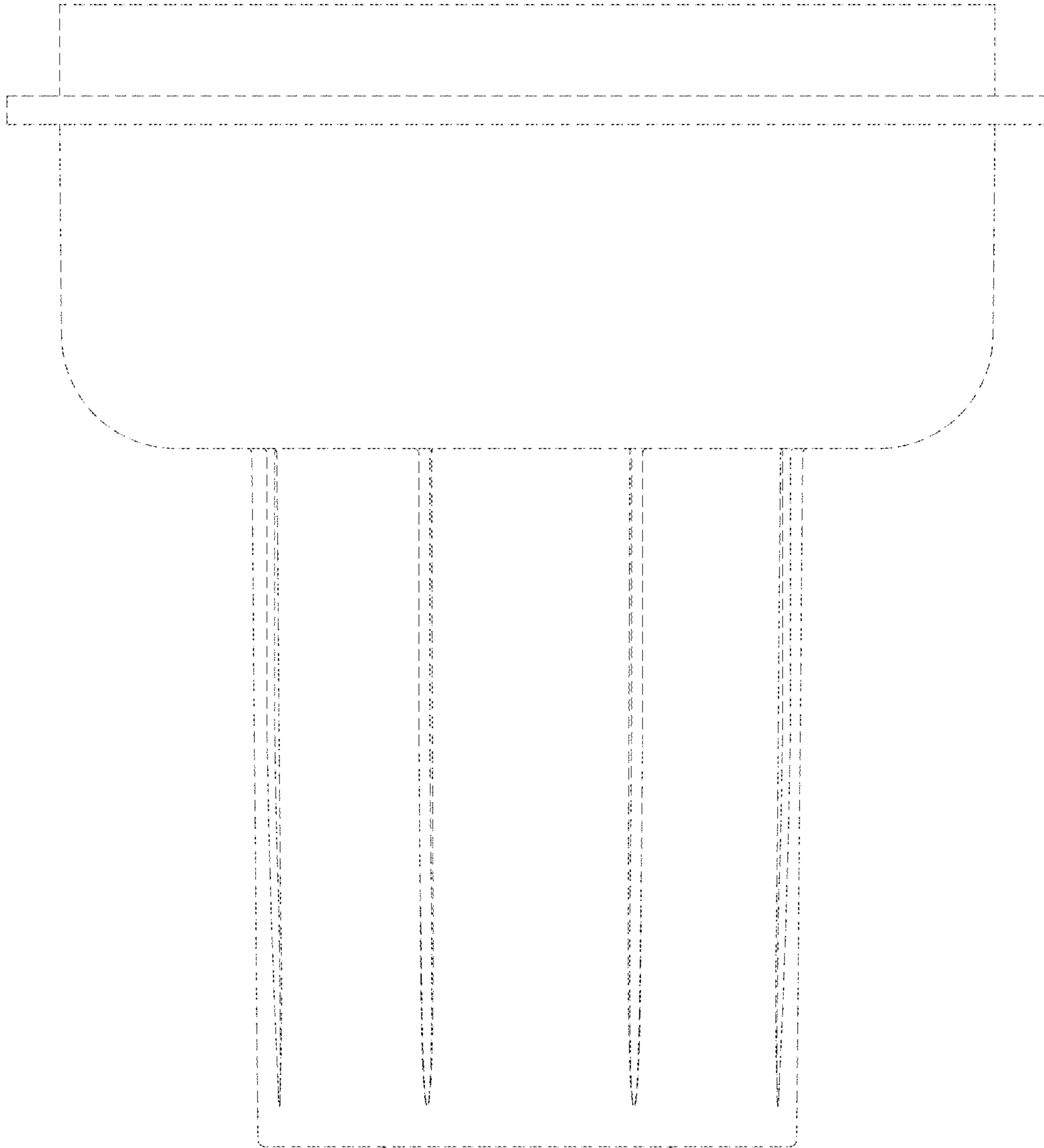


FIG. 7

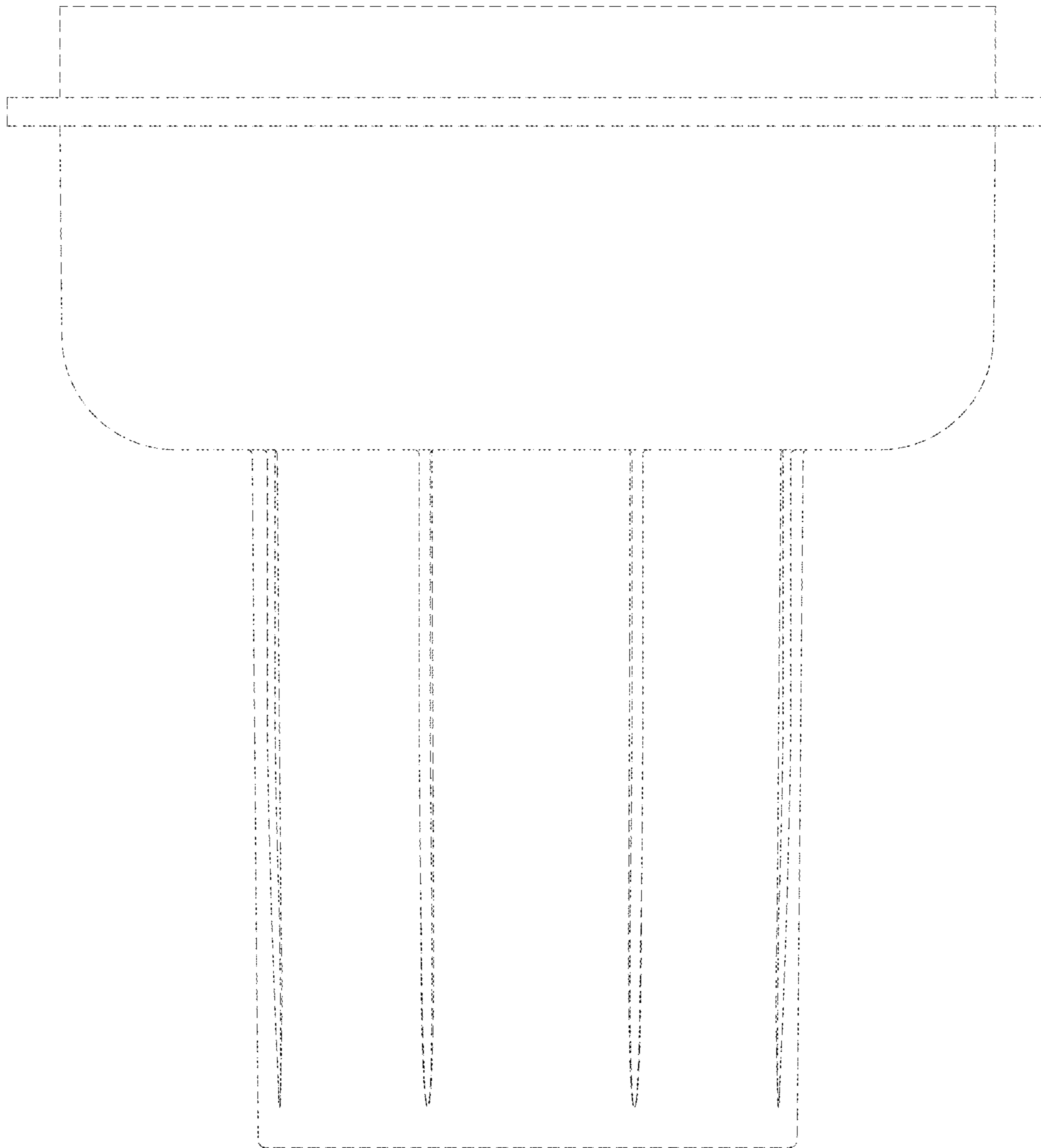


FIG. 8



FIG. 9

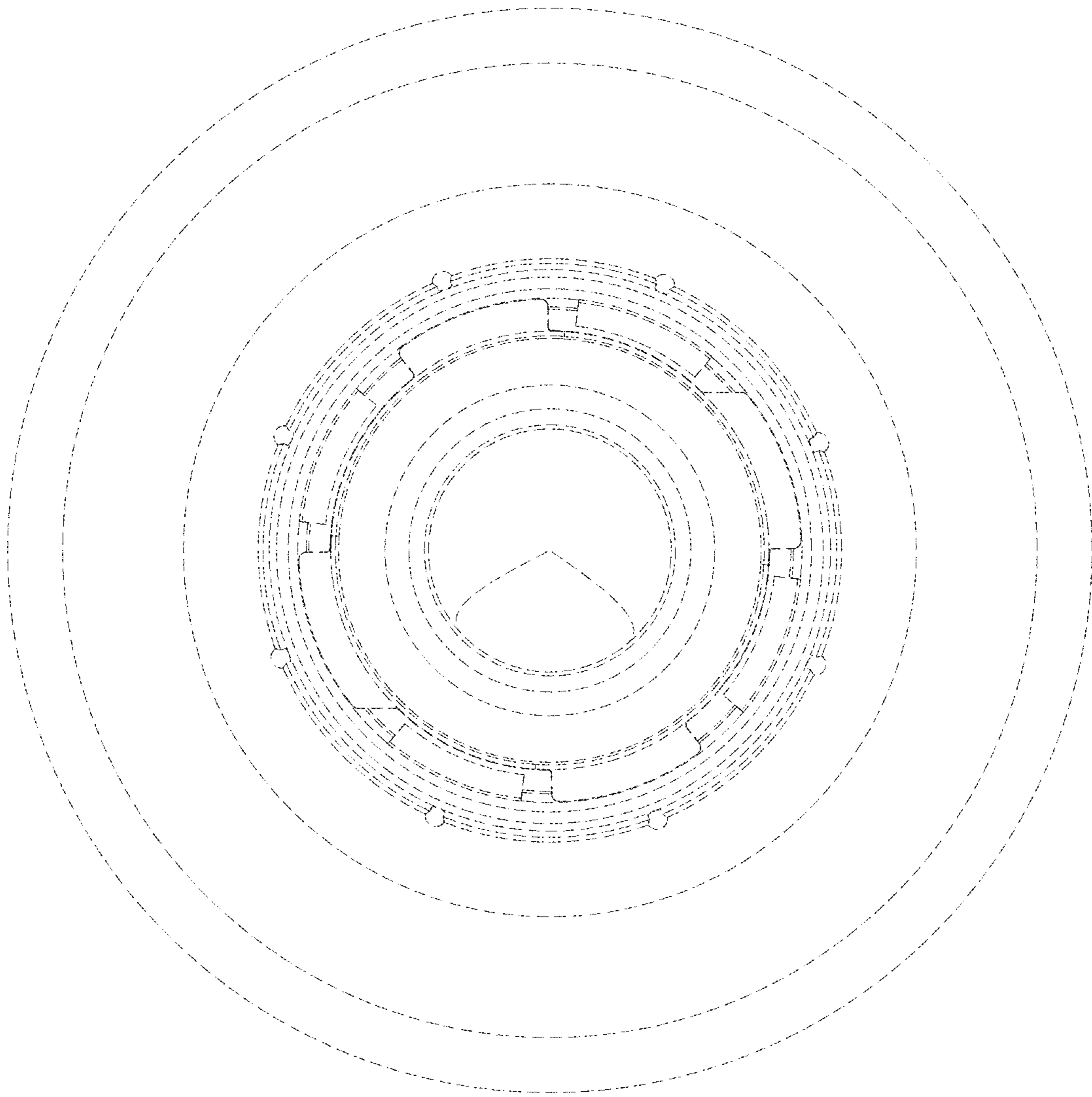


FIG. 10

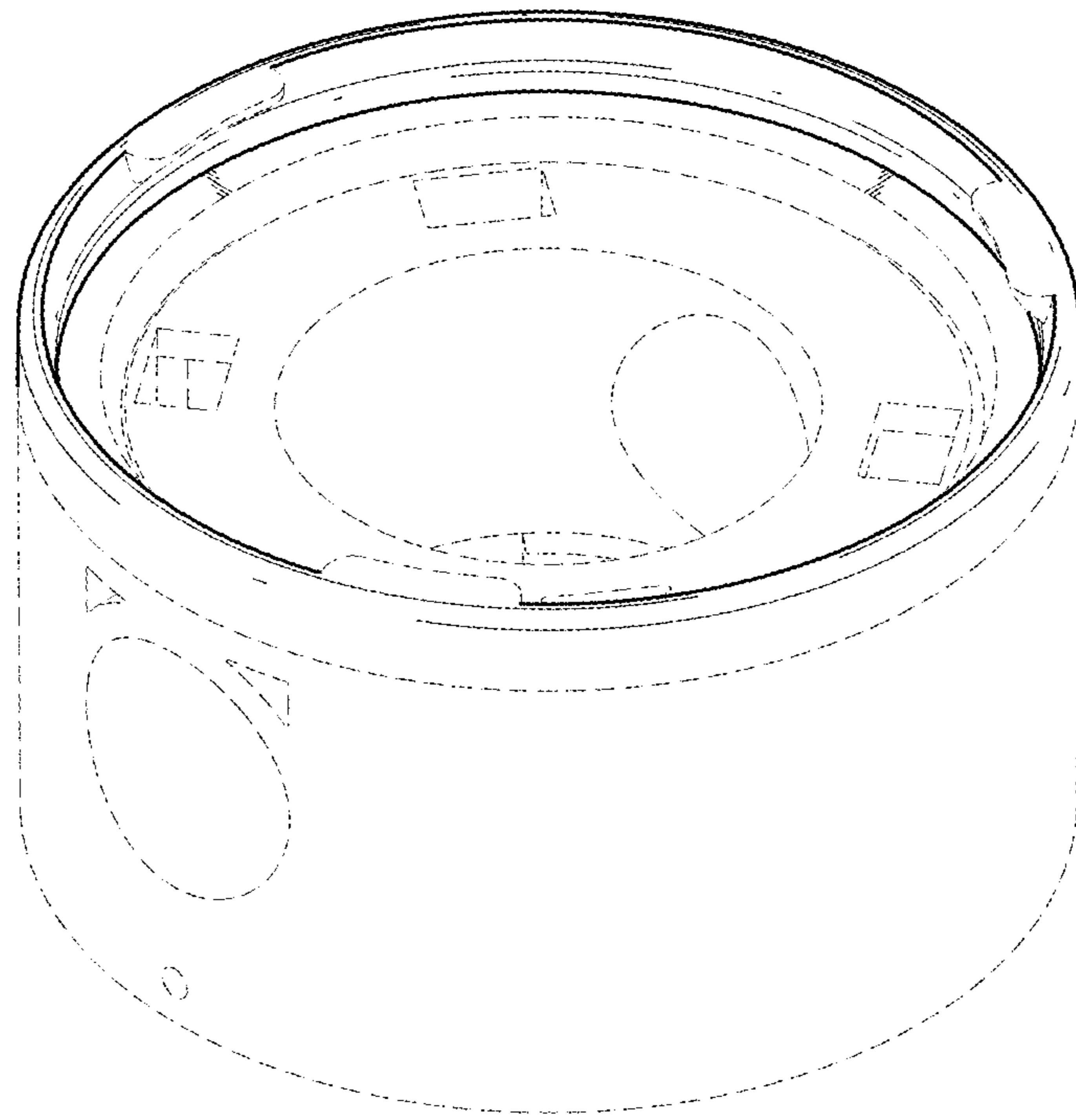


FIG. II



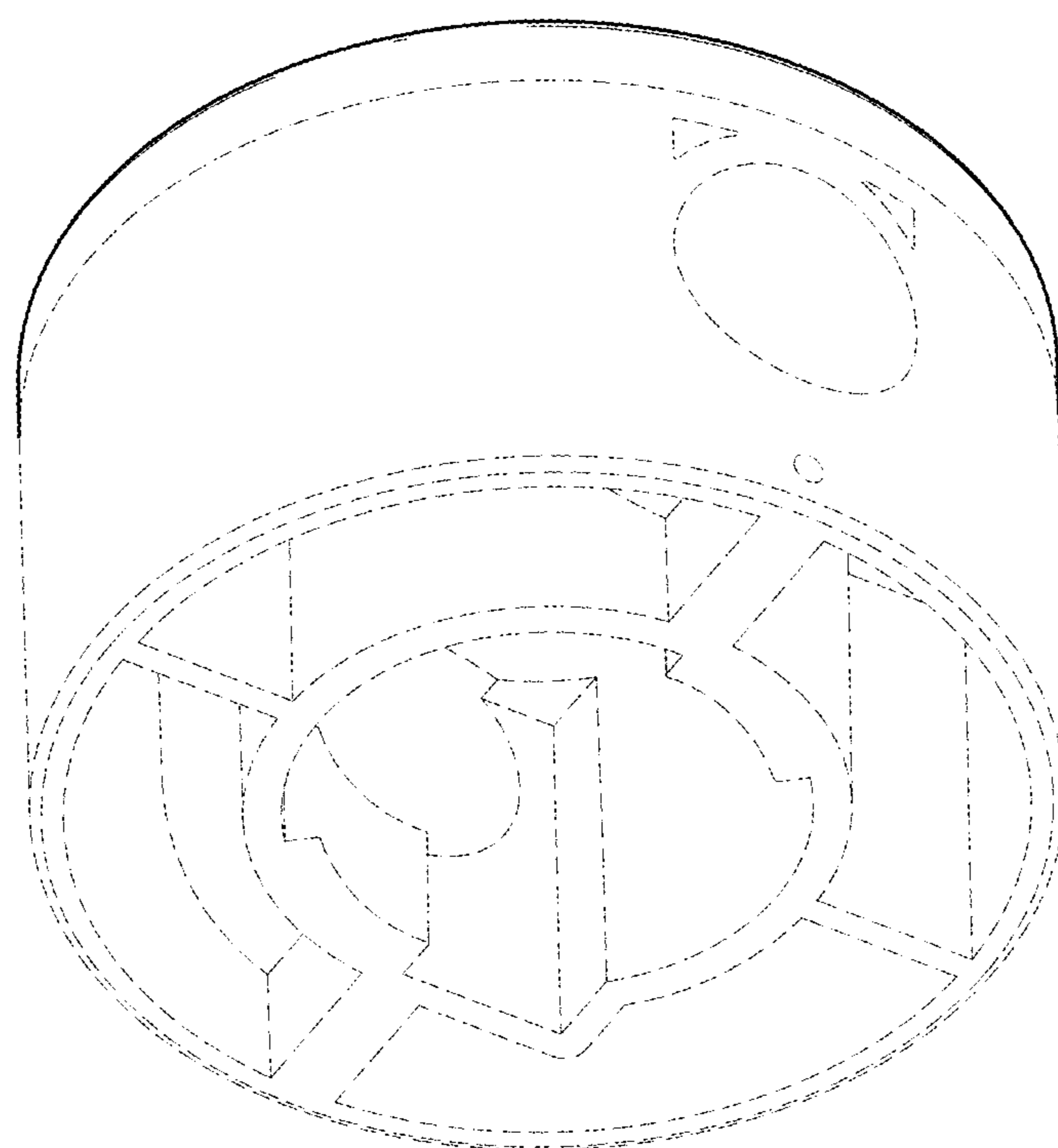


FIG. 12

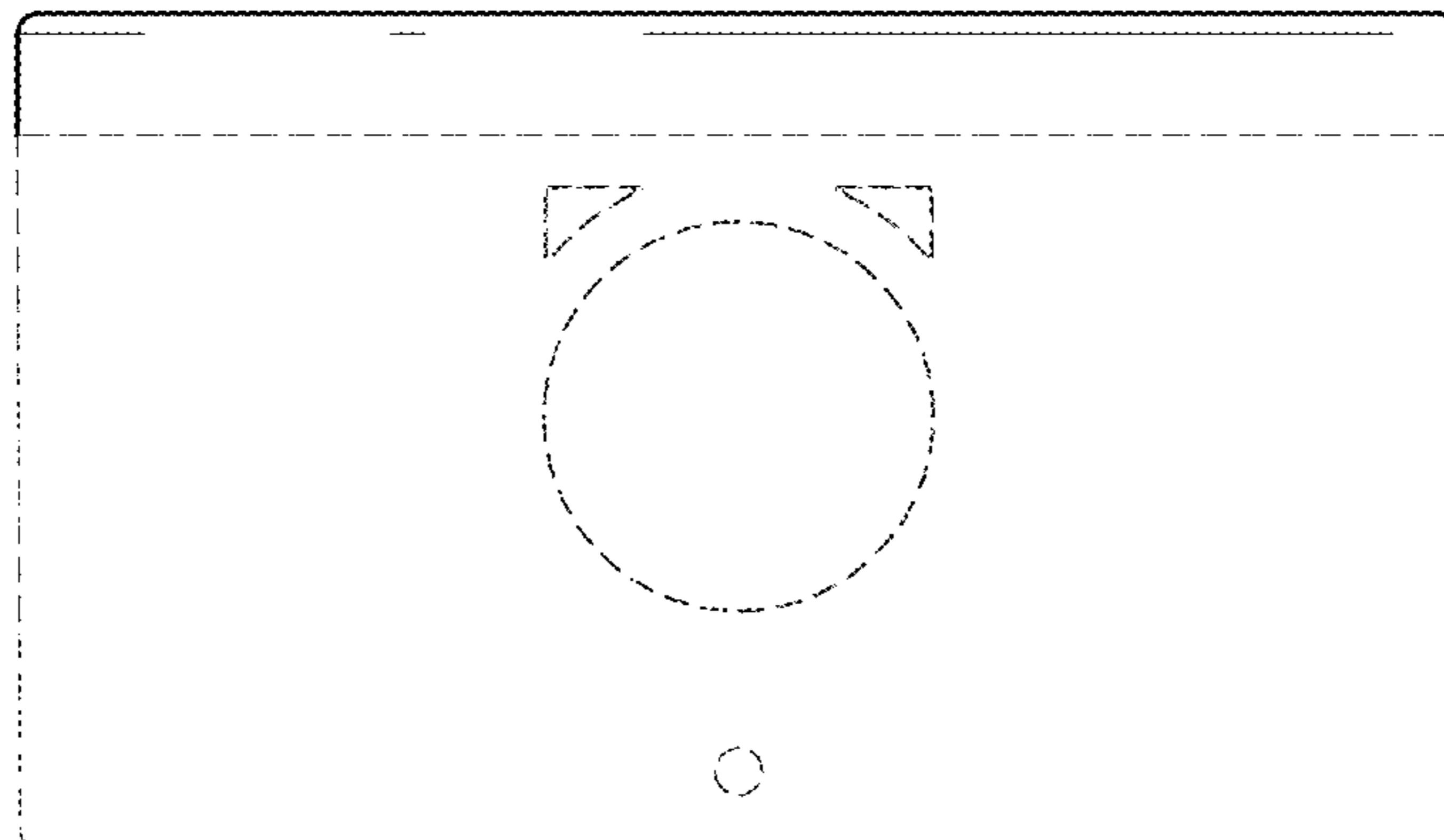


FIG. 13

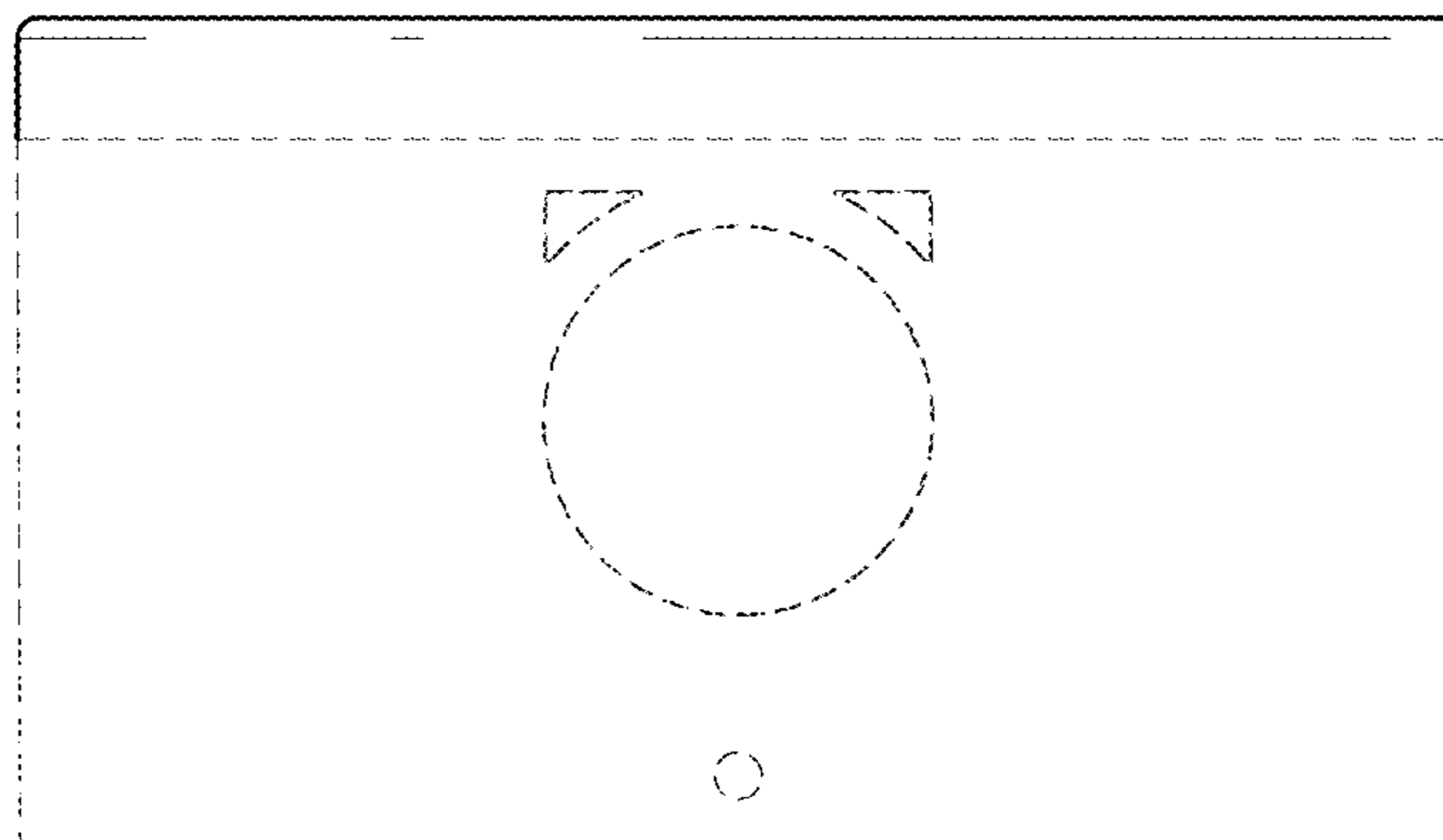


FIG. 14



FIG. 15

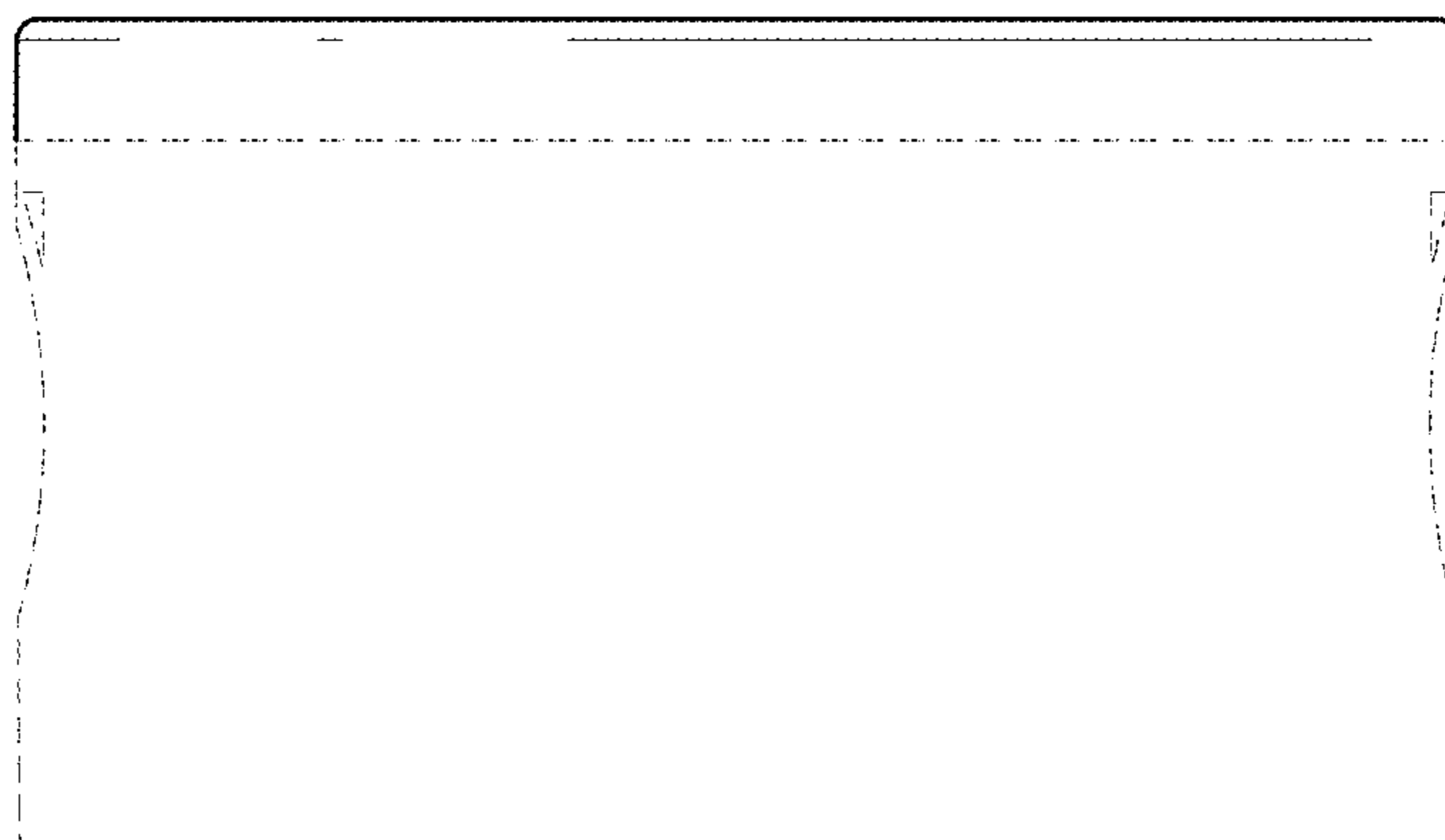


FIG. 16

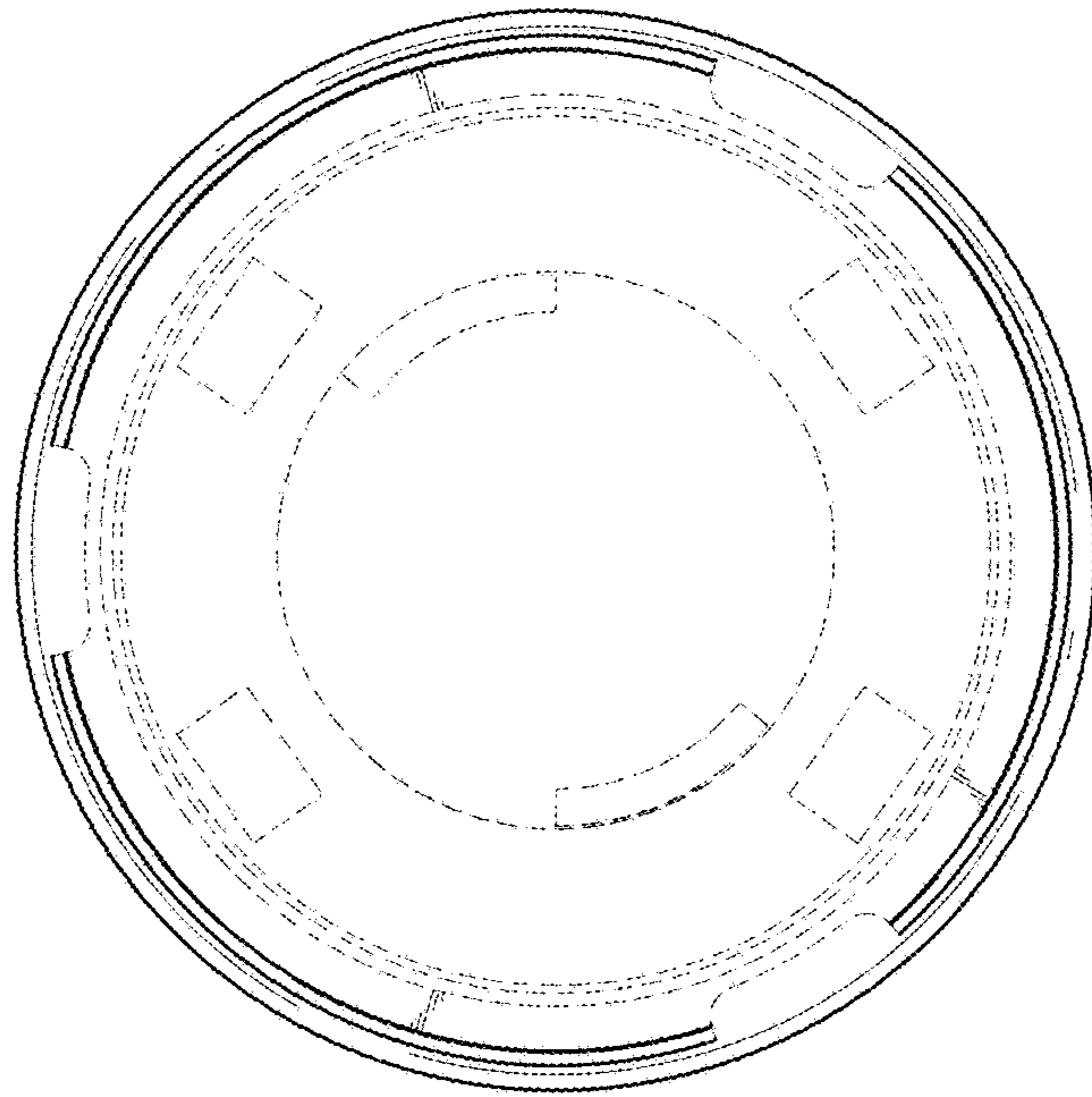


FIG. 17

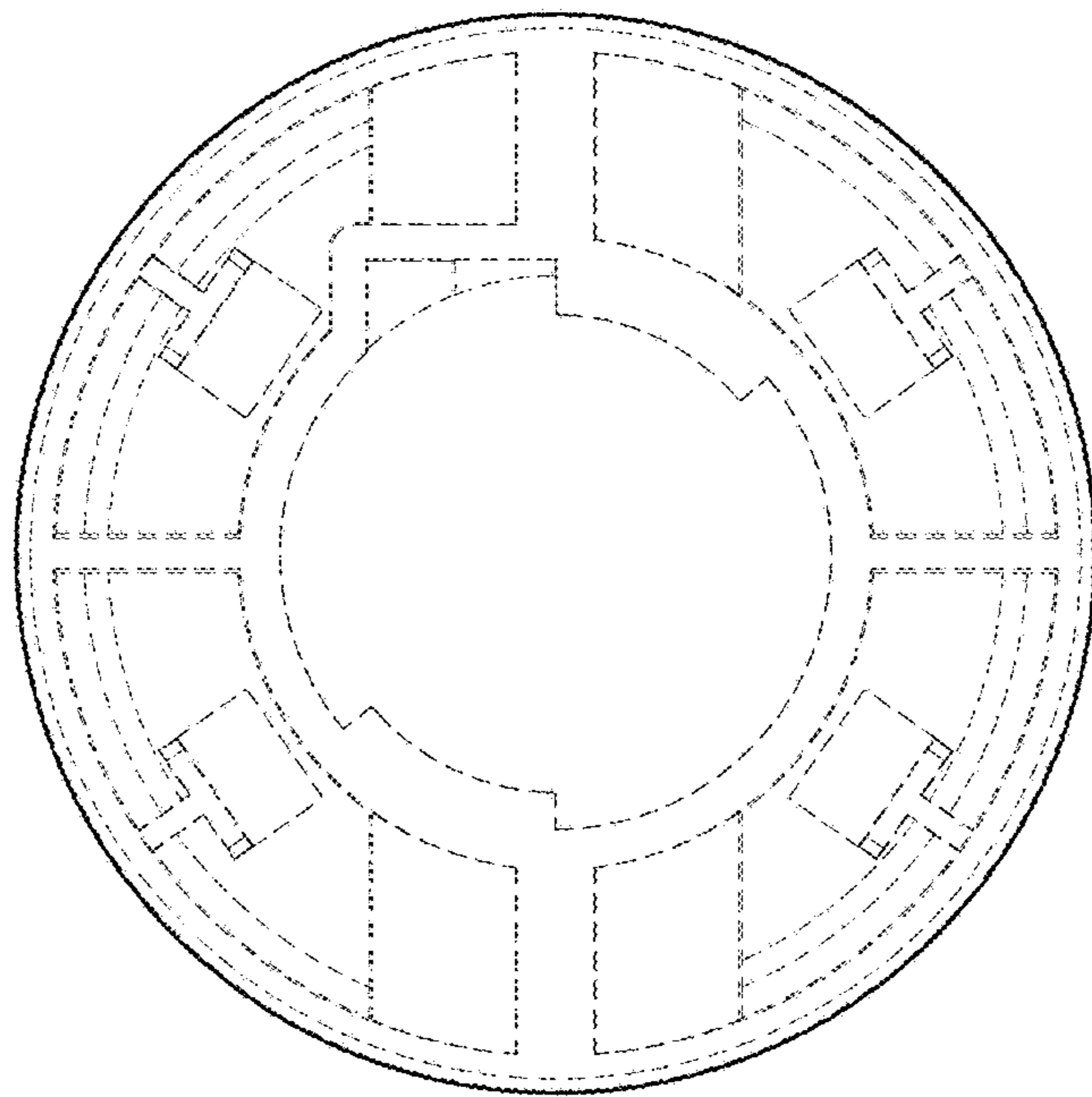


FIG. 18

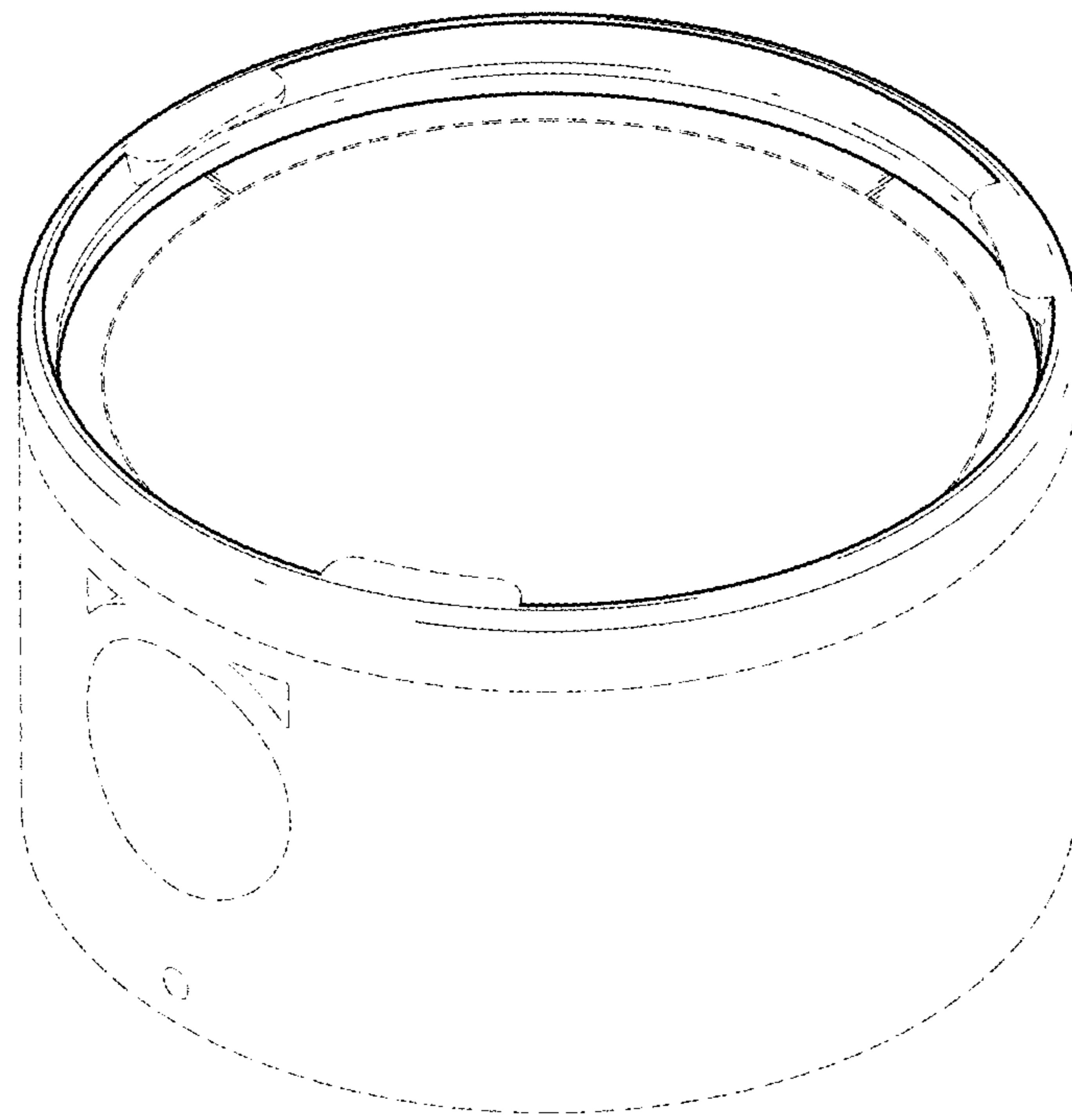


FIG. 19



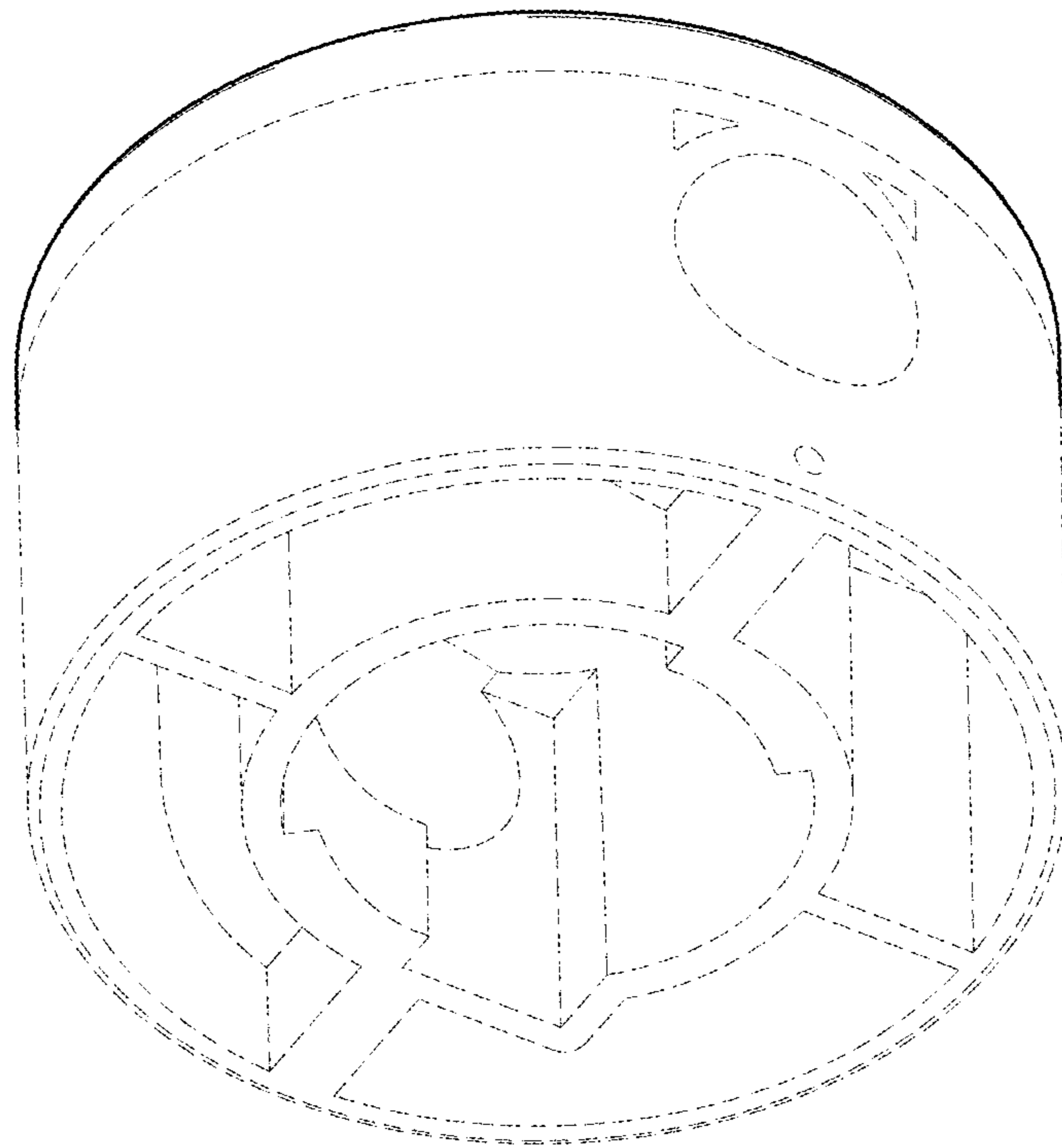


FIG. 20

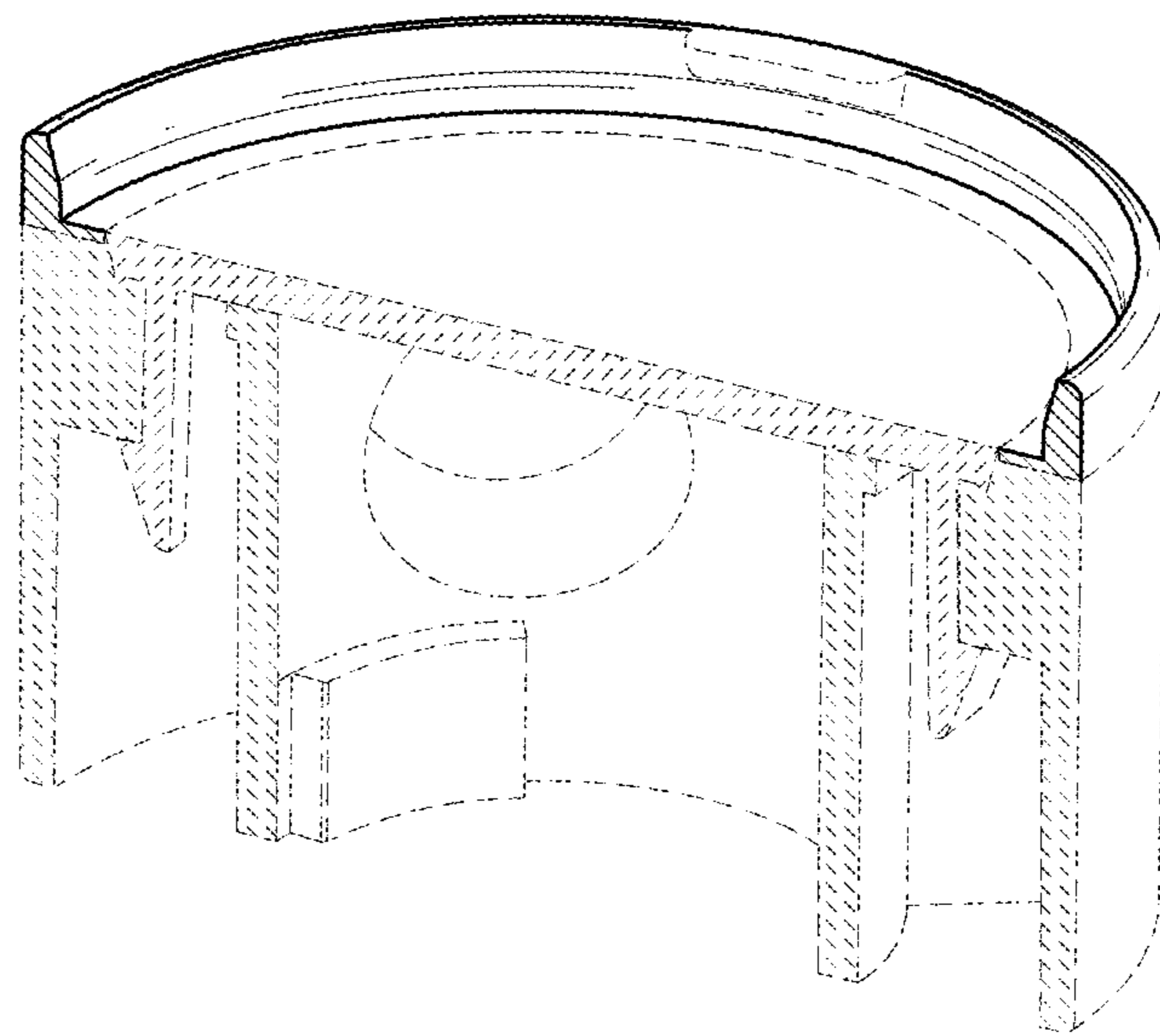


FIG. 21

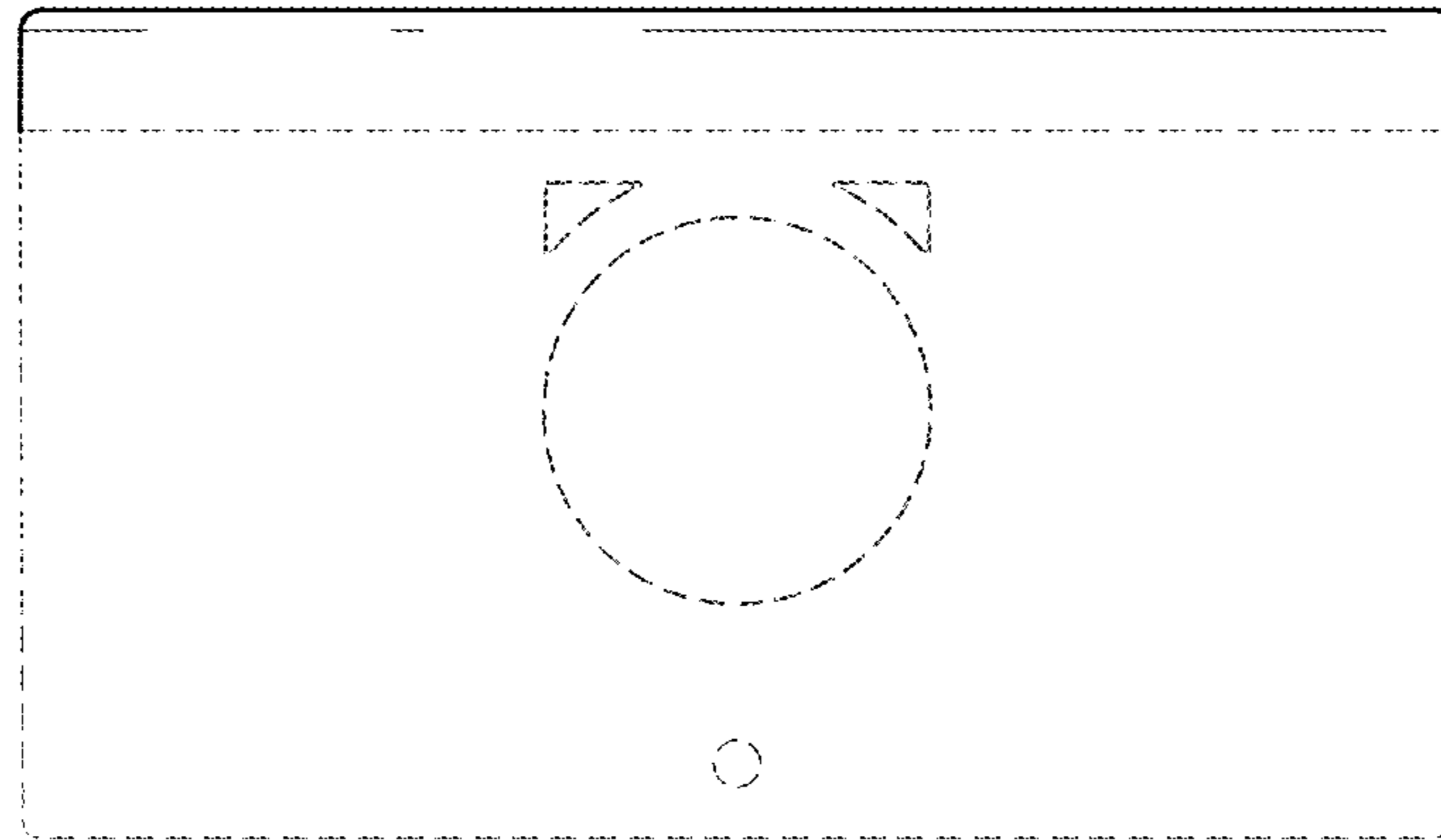


FIG. 22

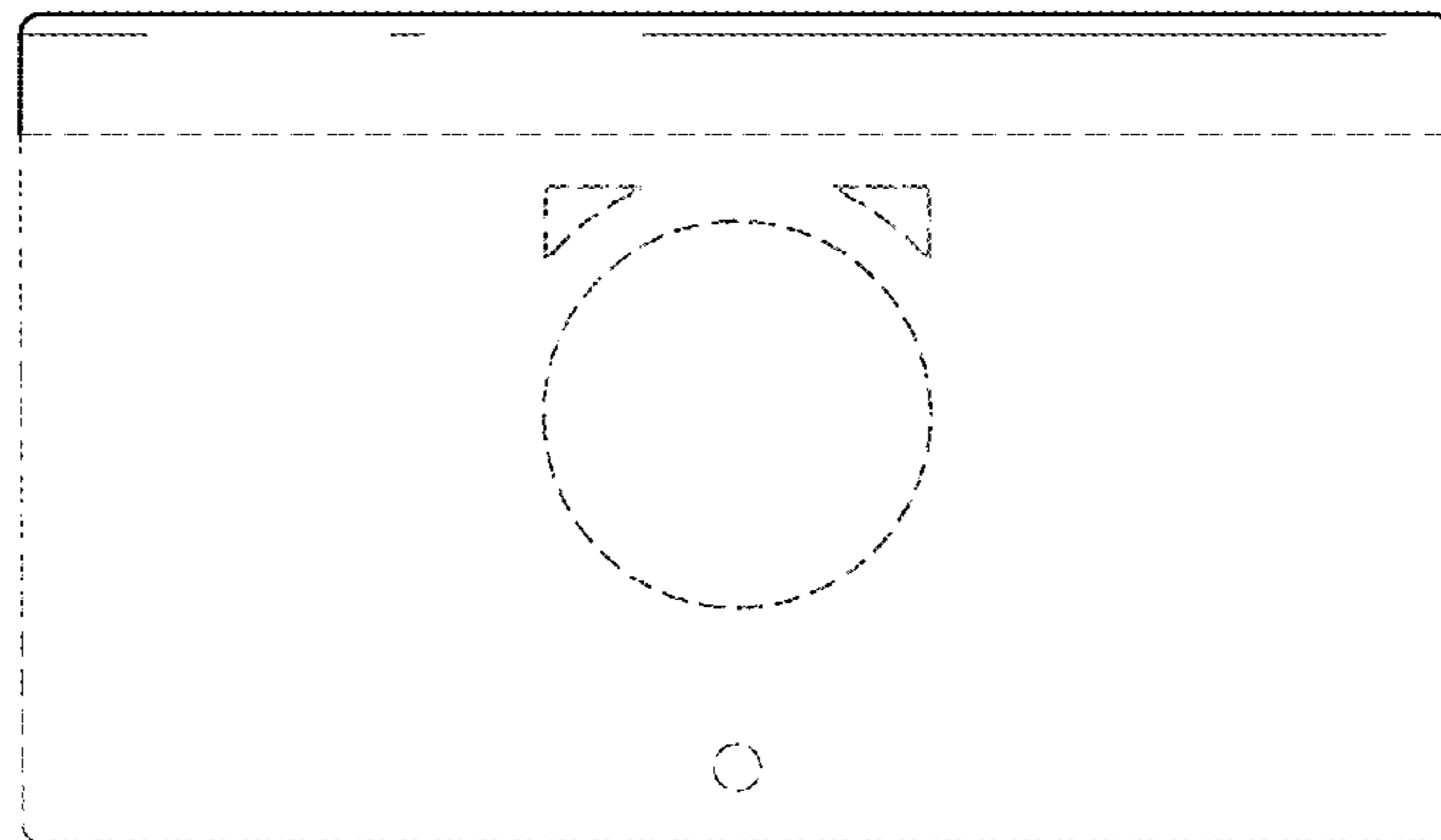


FIG. 23

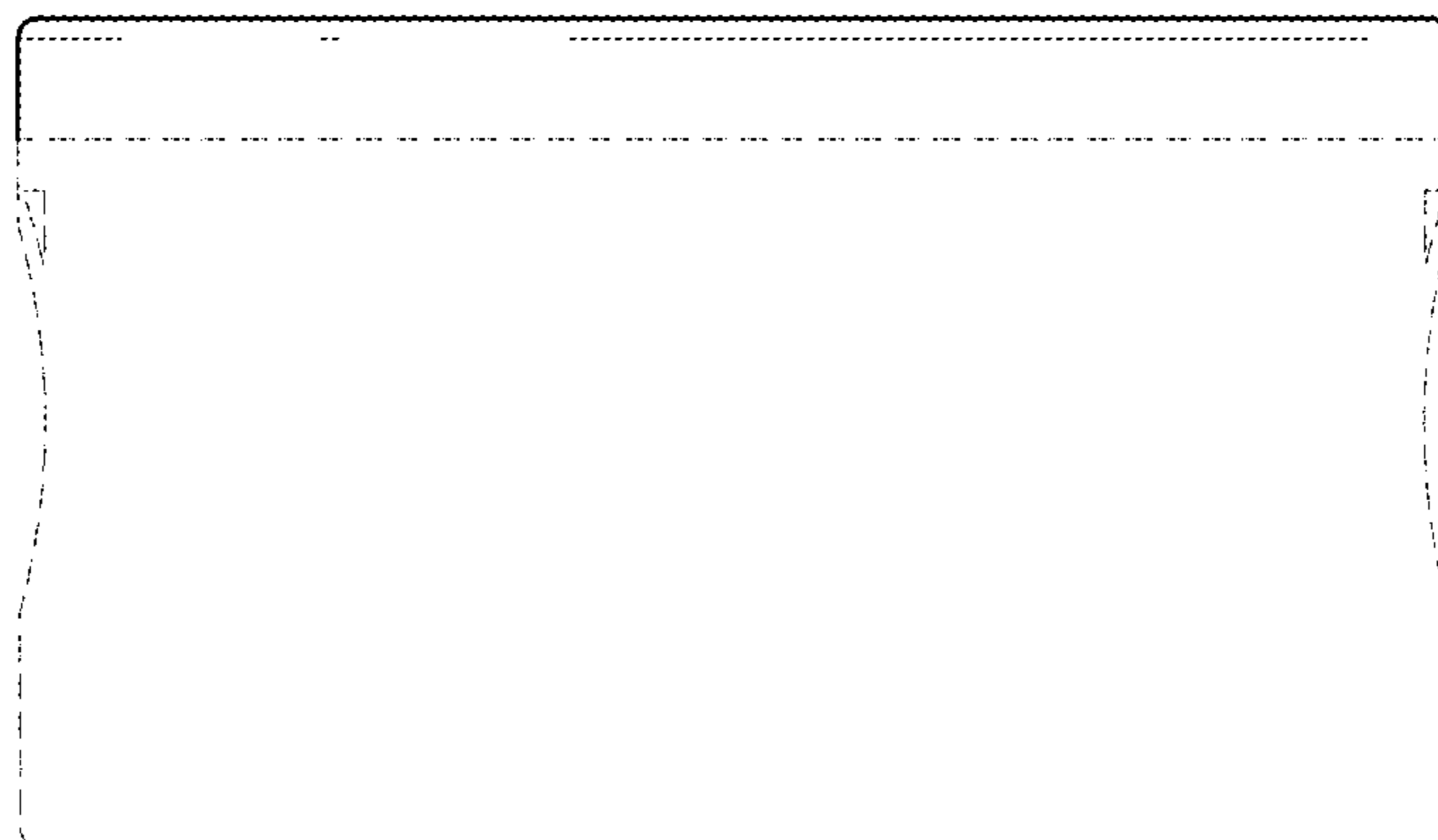


FIG. 24

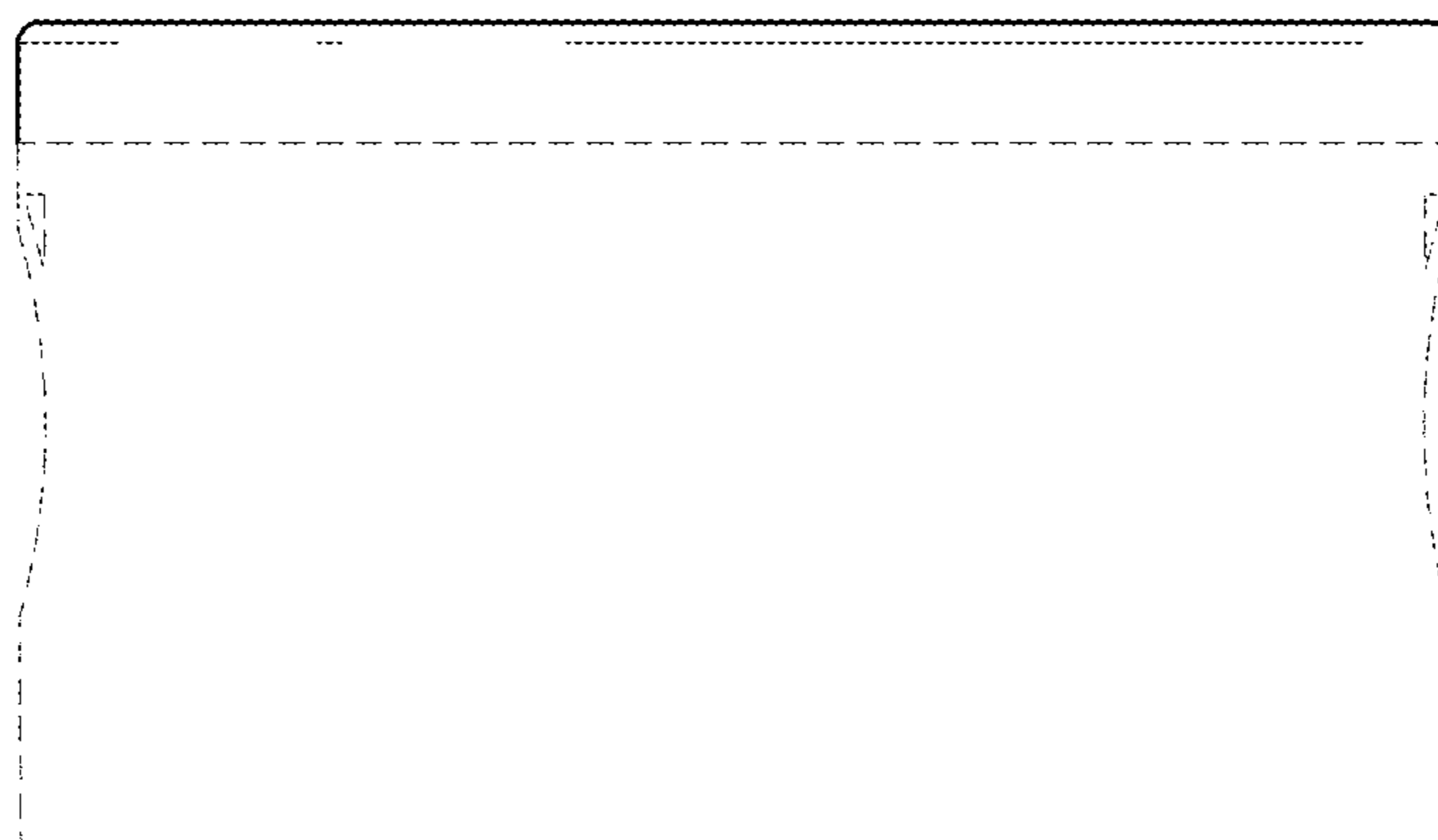


FIG. 25

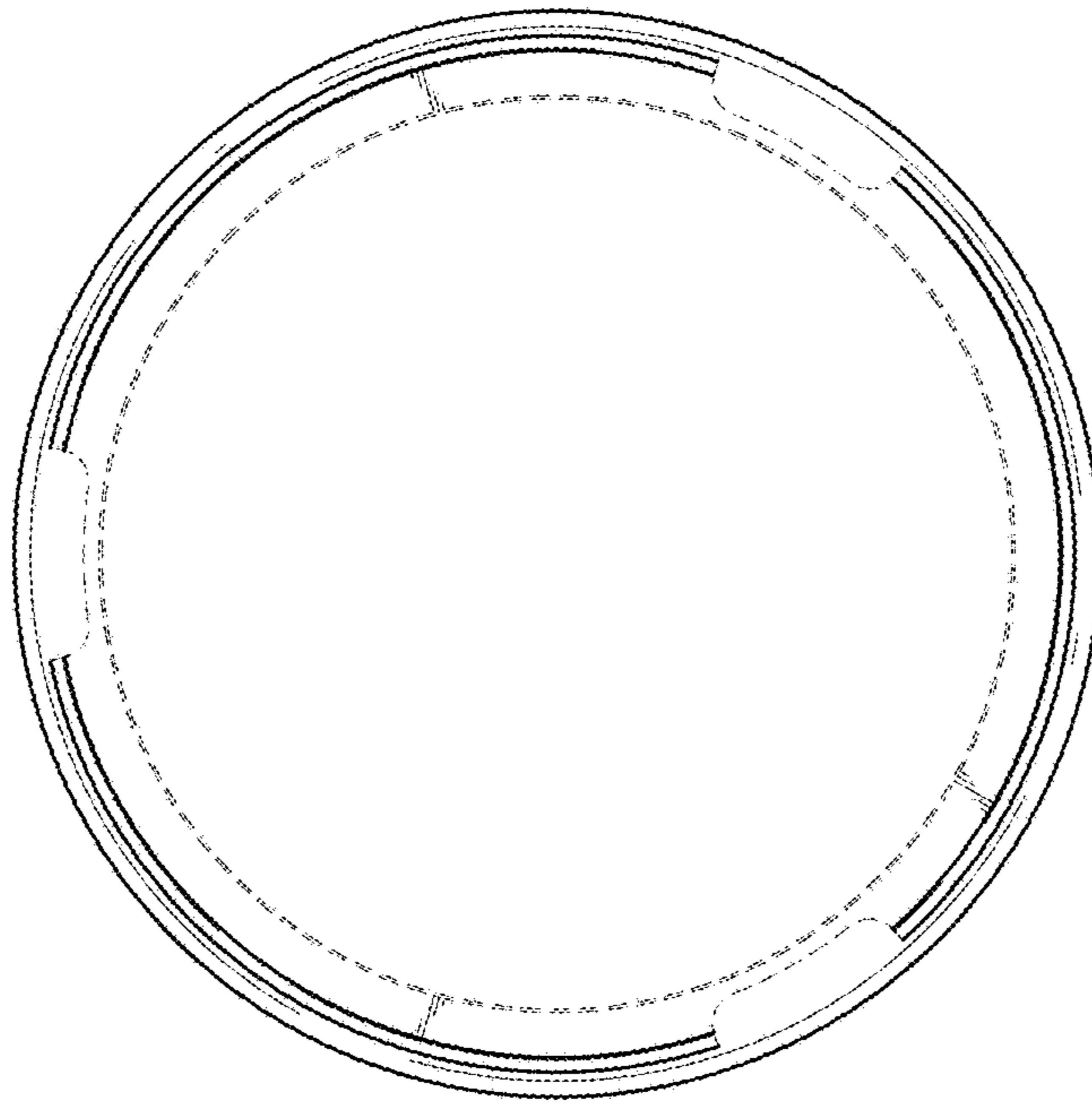


FIG. 26

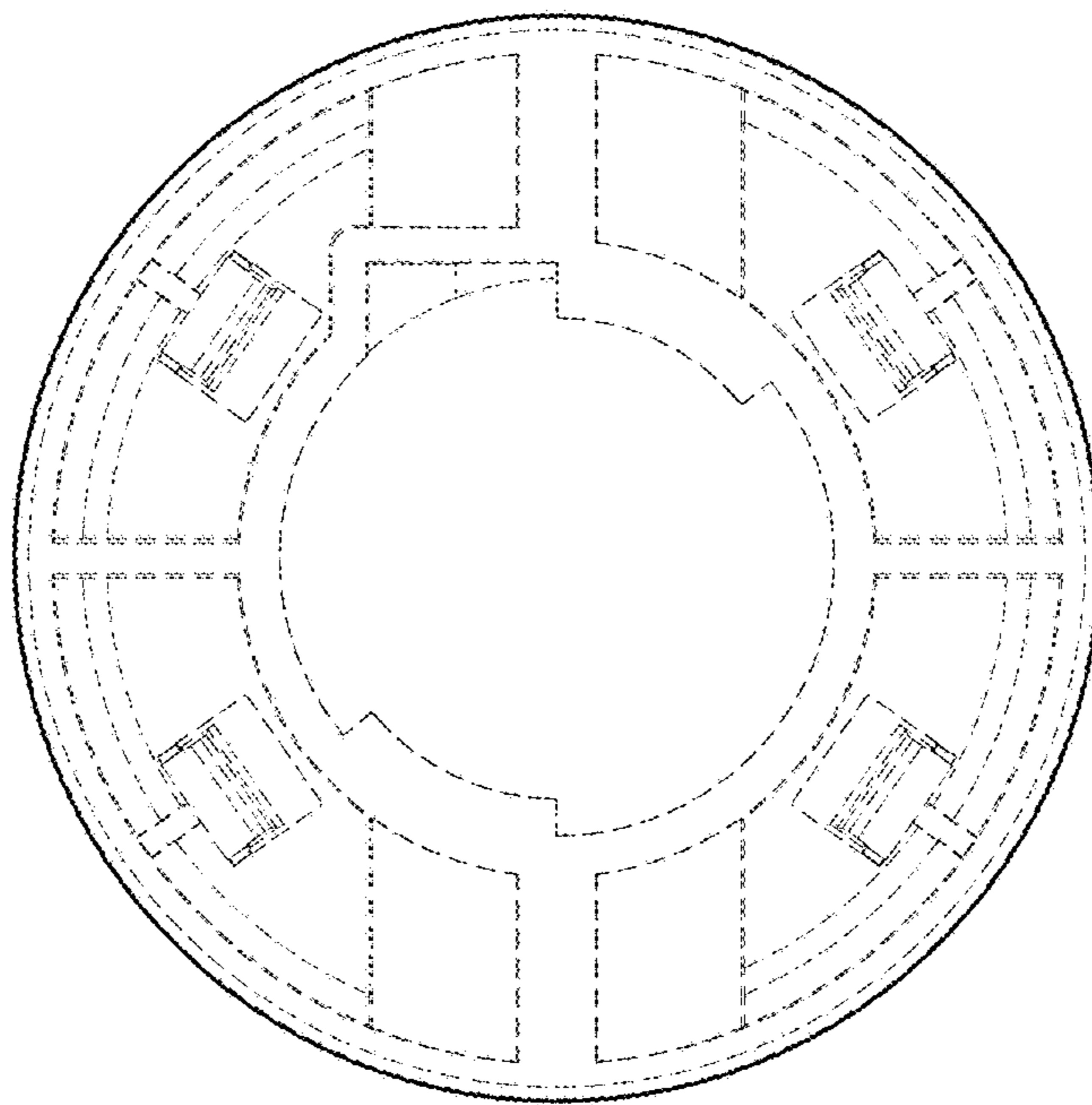


FIG. 27