



US00D813979S

(12) **United States Design Patent**
Bruining et al.

(10) **Patent No.:** **US D813,979 S**
(45) **Date of Patent:** **** Mar. 27, 2018**

(54) **DISPENSER FOR A SANITARY APPLIANCE**

(71) Applicant: **Reckitt Benckiser LLC**, Parsippany,
NJ (US)

(72) Inventors: **Sebastiaan Bruining**, Eindhoven (NL);
Jacques Donker, Eindhoven (NL)

(73) Assignee: **Reckitt Benckiser LLC**, Parsippany,
NJ (US)

(**) Term: **15 Years**

(21) Appl. No.: **29/582,532**

(22) Filed: **Oct. 28, 2016**

(30) **Foreign Application Priority Data**

May 4, 2016 (EP) 003109669-0001
May 4, 2016 (EP) 003109669-0002

(51) **LOC (11) Cl.** **23-01**

(52) **U.S. Cl.**
USPC **D23/208; D32/75**

(58) **Field of Classification Search**
USPC D23/208, 212, 368; D32/75; 4/223;
510/191

CPC E03D 9/02; E03D 9/032; E03D 9/052; D06F
5/005; D06F 5/02

See application file for complete search history.

(56) **References Cited**

U.S. PATENT DOCUMENTS

D113,680 S * 3/1939 Opp D32/75
D253,123 S * 10/1979 Jones 4/231
D464,107 S * 10/2002 Holmes D23/208

D646,769 S * 10/2011 Angel D23/366
D655,778 S * 3/2012 Muhlhausen D23/208
D689,167 S * 9/2013 Gerhards D23/208
D752,198 S * 3/2016 Zach D23/208
D752,733 S * 3/2016 Zach D23/208
D772,377 S * 11/2016 Gerhards D23/208
D788,258 S * 5/2017 Gerhards D23/208
D795,387 S * 8/2017 Gerhards D23/208
D801,474 S * 10/2017 Bos D23/208
D802,087 S * 11/2017 Bos D23/208
D802,088 S * 11/2017 Bos D23/208
2005/0014668 A1 * 1/2005 Bariou C11D 3/50
510/191
2010/0192291 A1 * 8/2010 Burt E03D 9/007
4/223
2011/0138526 A1 * 6/2011 Hsu E03D 9/03
4/223

* cited by examiner

Primary Examiner — Robin V Webster

Assistant Examiner — James Thorn, Sr.

(74) *Attorney, Agent, or Firm* — Norris McLaughlin &
Marcus PA

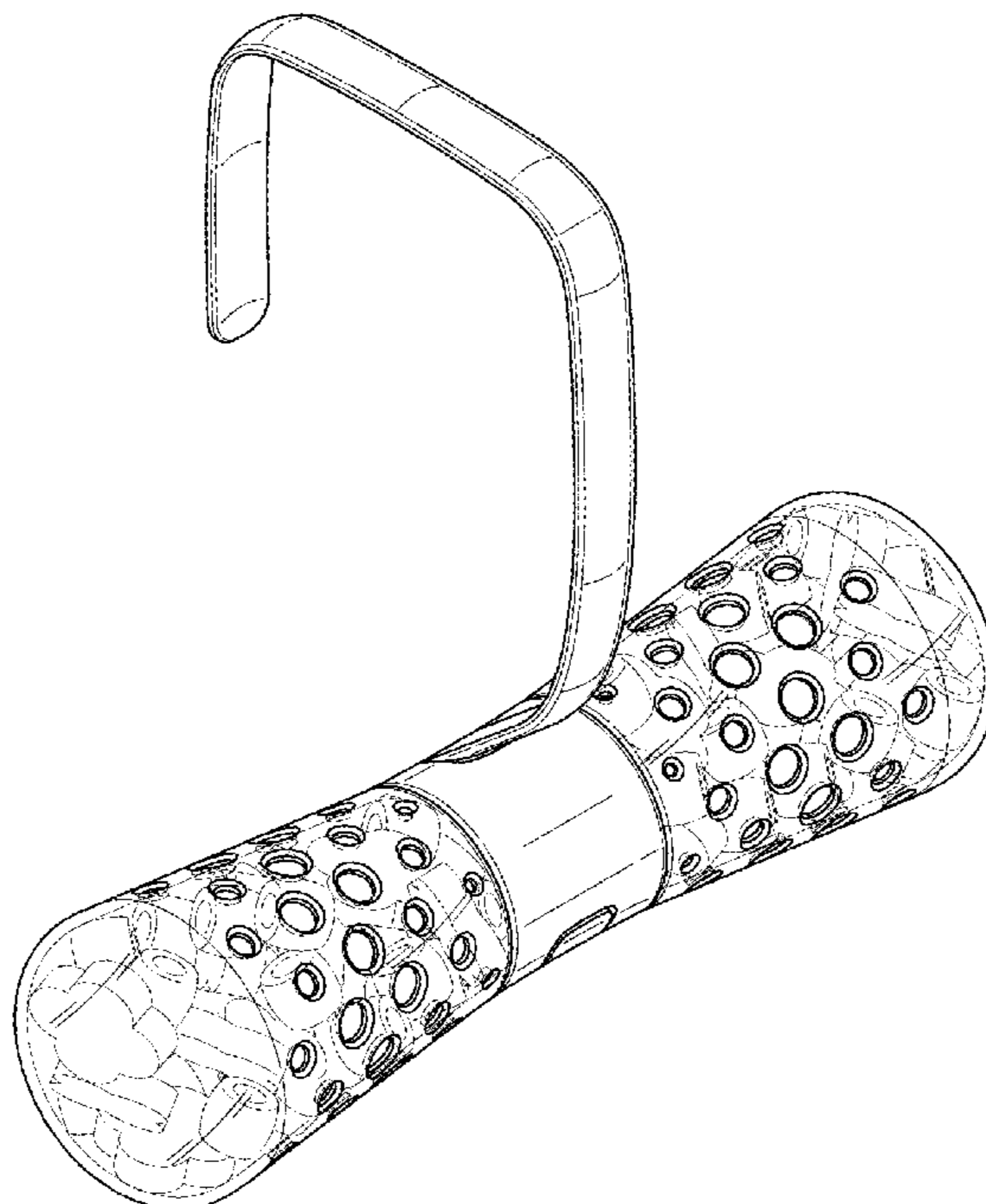
(57) **CLAIM**

The ornamental design for a dispenser for a sanitary appli-
ance, as shown and described.

DESCRIPTION

FIG. 1 is a frontal perspective view thereof;
FIG. 2 is a frontal elevational view thereof;
FIG. 3 is a rear elevational view thereof;
FIG. 4 is a first side elevational view thereof;
FIG. 5 is a second side elevational view thereof;
FIG. 6 is a top plan view thereof; and,
FIG. 7 is a bottom plan view thereof.

1 Claim, 5 Drawing Sheets



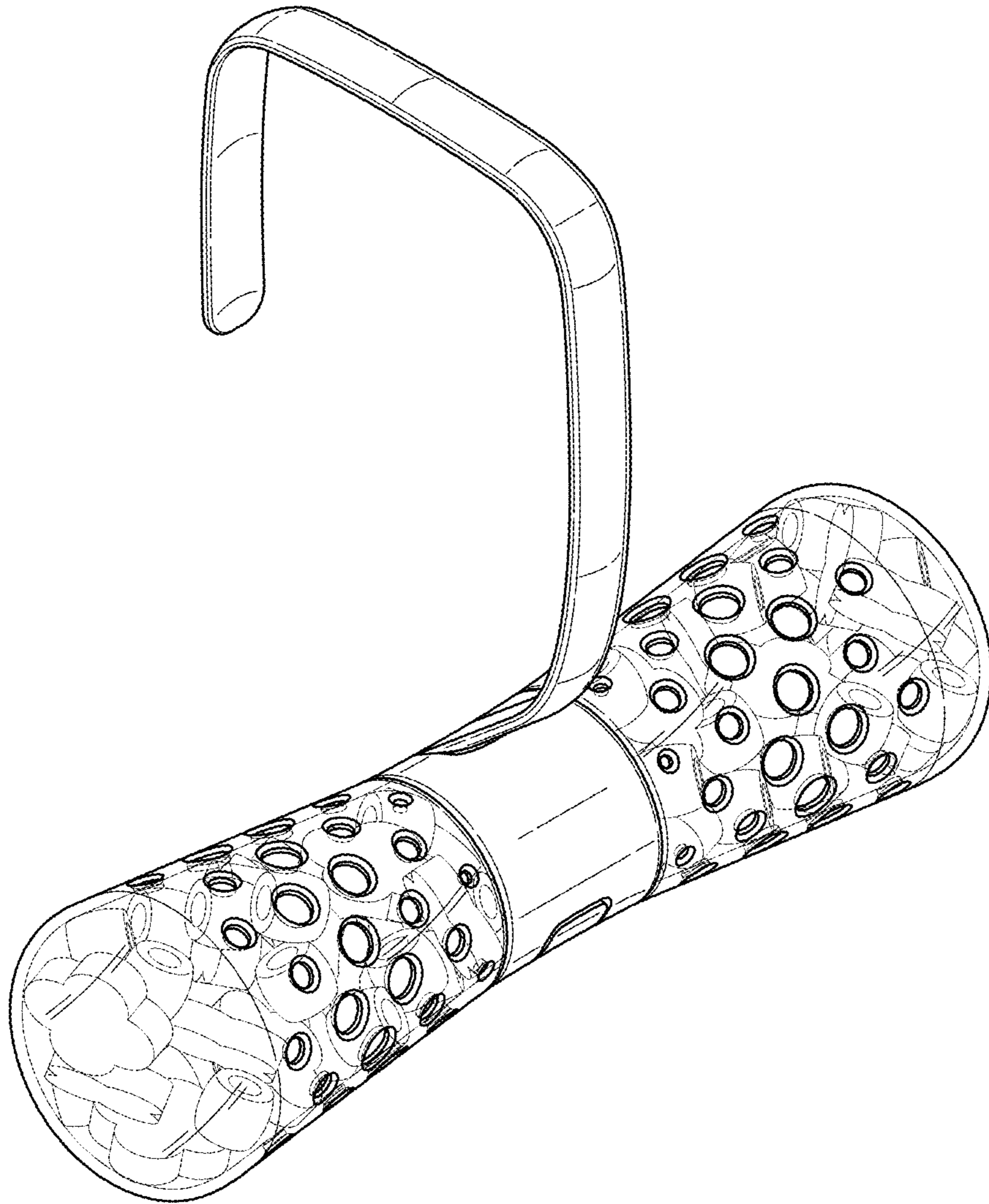


Fig. 1

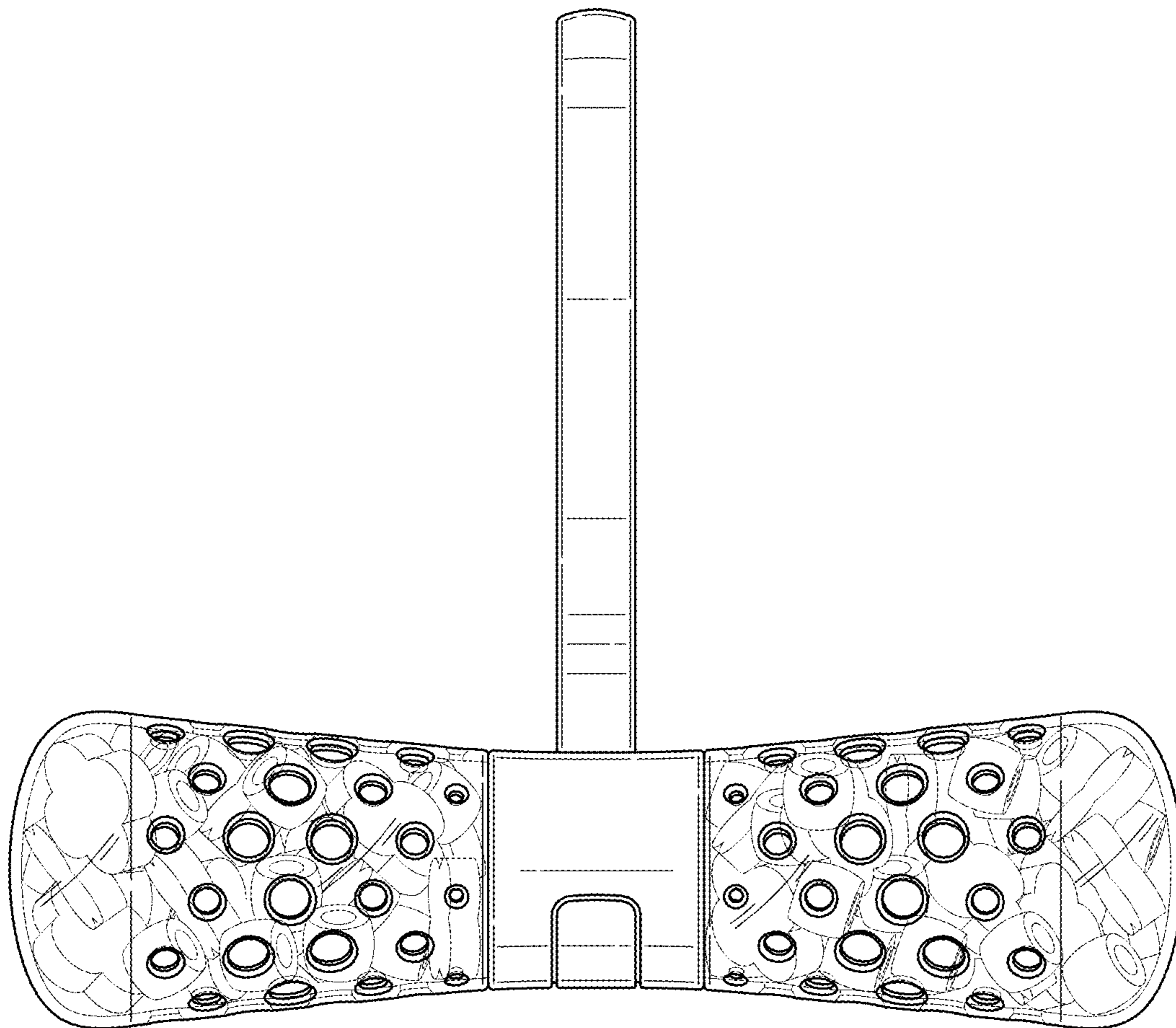


Fig. 2

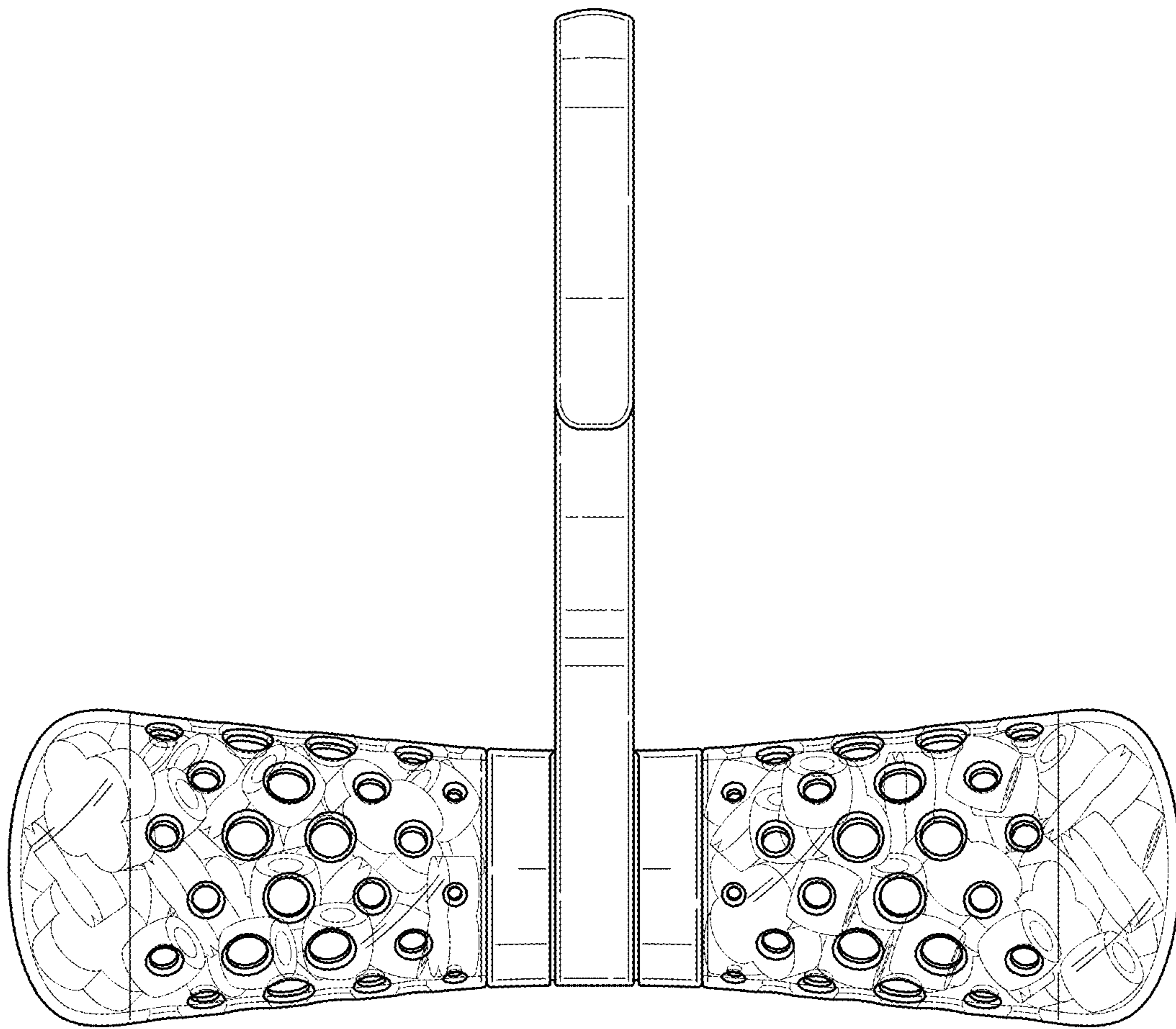


Fig. 3

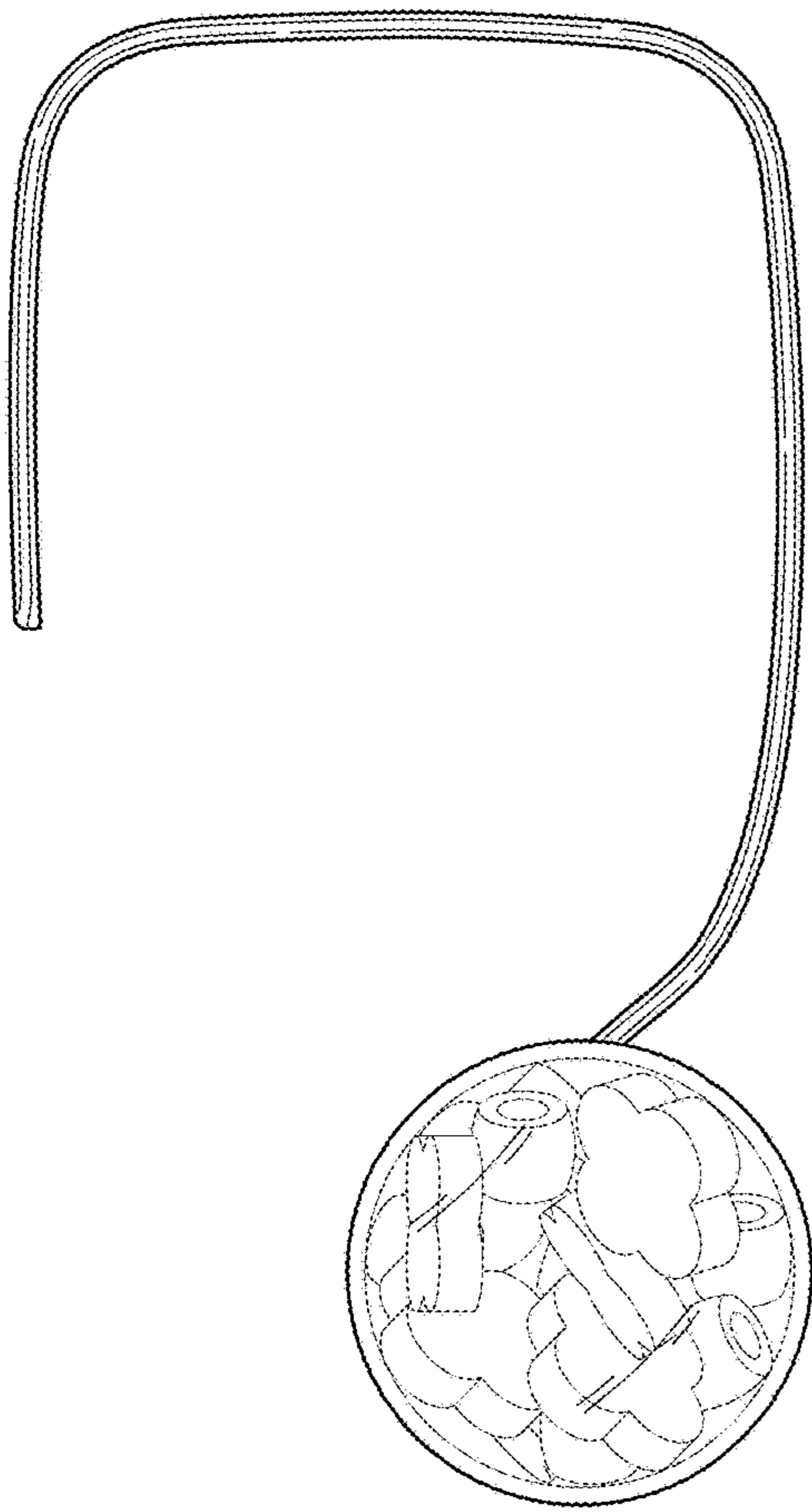


Fig. 4

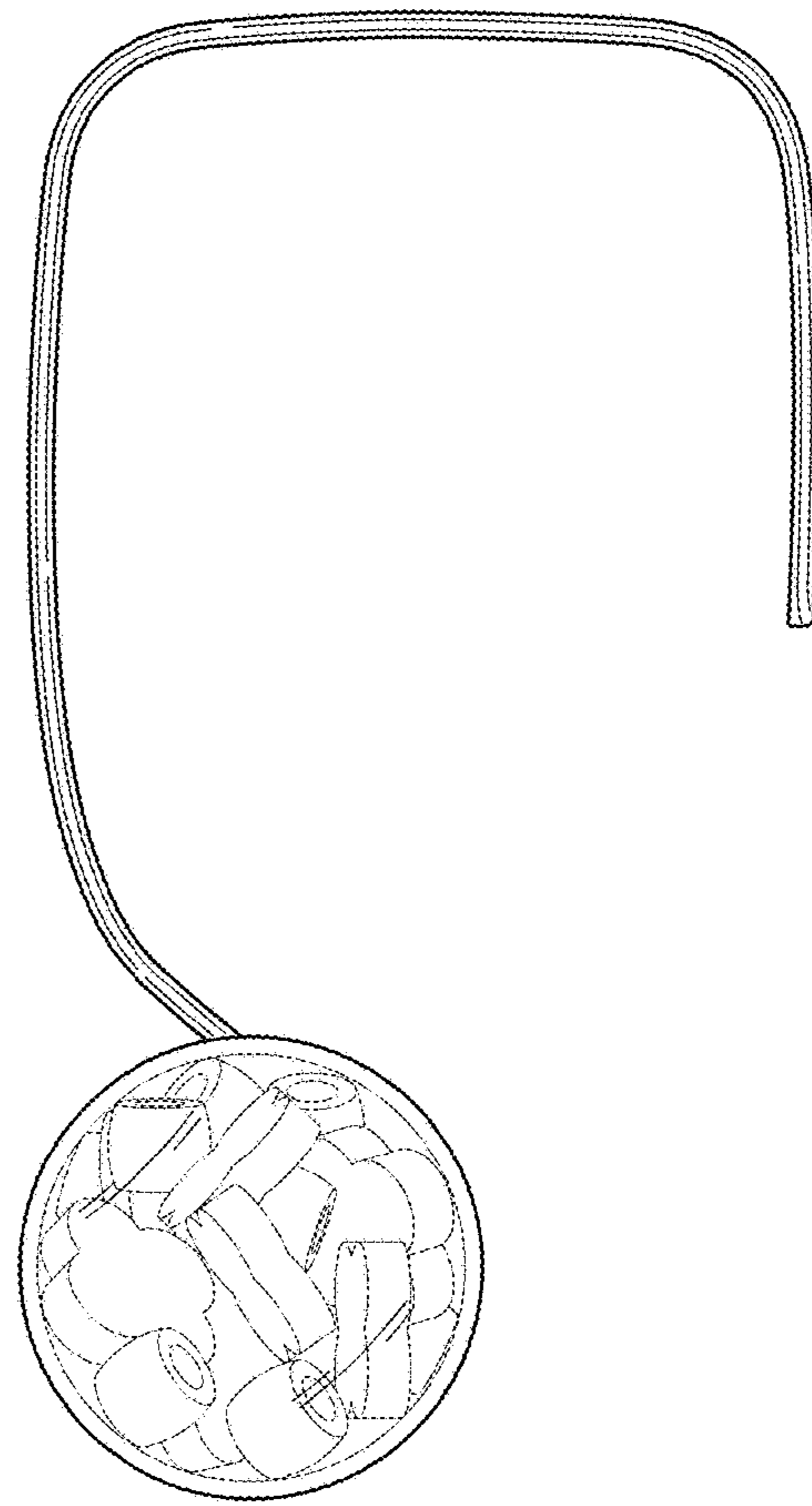


Fig. 5

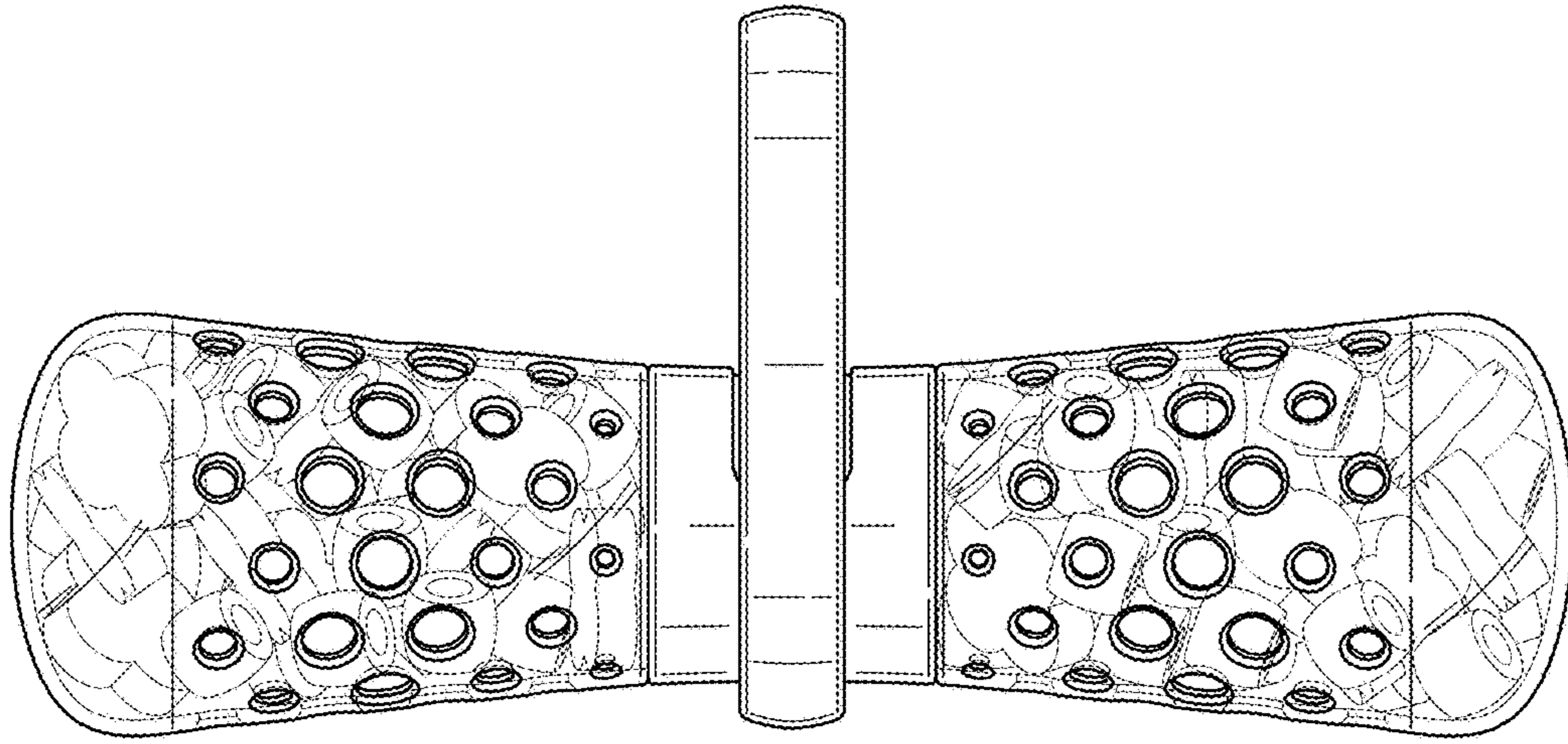


Fig. 6

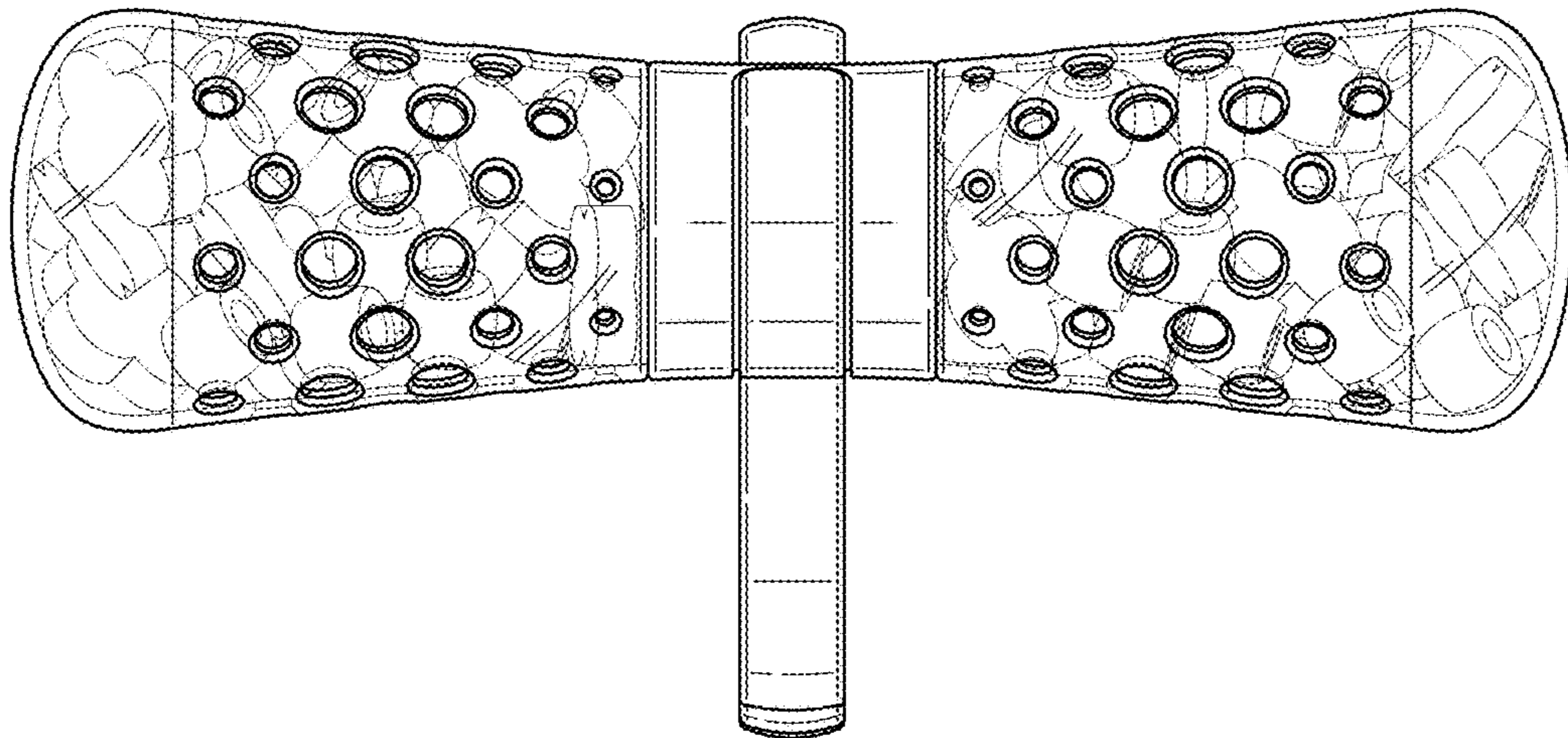


Fig. 7