



US00D813975S

(12) **United States Design Patent**
White

(10) **Patent No.:** **US D813,975 S**
(45) **Date of Patent:** **** Mar. 27, 2018**

(54) **LOW VOLUME SUBSONIC BULLET
CARTRIDGE CASE**

(71) Applicant: **Mark White**, Nordland, WA (US)

(72) Inventor: **Mark White**, Nordland, WA (US)

(**) Term: **15 Years**

(21) Appl. No.: **29/575,538**

(22) Filed: **Aug. 25, 2016**

Related U.S. Application Data

(63) Continuation-in-part of application No. 14/819,261,
filed on Aug. 5, 2015, now abandoned.

(51) **LOC (11) Cl.** **22-03**

(52) **U.S. Cl.**
USPC **D22/116**

(58) **Field of Classification Search**
USPC D22/115-116
CPC F42B 5/26-5/38
See application file for complete search history.

(56) **References Cited**

U.S. PATENT DOCUMENTS

- 115,892 A * 6/1871 Powers F42B 5/26
102/469
- 487,125 A * 11/1892 De Latouche F42B 5/02
102/430
- 963,911 A * 7/1910 Loebler F42B 5/36
102/470
- 1,678,162 A * 7/1928 Pedersen F42B 5/295
102/435
- 2,654,319 A * 10/1953 Roske F42B 5/307
102/467
- 2,831,287 A * 4/1958 Maillard F41A 21/12
102/430
- 2,972,947 A * 2/1961 Fitzsimmons F42B 5/295
102/465

- 3,351,014 A * 11/1967 Olney F42B 5/30
102/467
- 3,477,374 A * 11/1969 Barr F42B 5/02
102/470
- 3,485,170 A * 12/1969 Scanlon F41F 1/00
102/432
- 3,568,600 A * 3/1971 Nosler F42B 5/26
102/464
- 3,614,816 A * 10/1971 Weyhmuller et al. . B21K 21/04
148/649
- 3,659,528 A * 5/1972 Santala F42B 5/28
102/464
- 3,749,021 A * 7/1973 Burgess F42B 5/30
102/467
- 3,749,023 A * 7/1973 Kawaguchi B29C 44/5636
102/466
- 3,756,156 A * 9/1973 Schuster F42B 5/307
102/467

(Continued)

Primary Examiner — Ian Simmons

Assistant Examiner — Mojtaba Tehrani

(74) *Attorney, Agent, or Firm* — Gerald M. Walsh; Leo
Law Firm, LLC

(57) **CLAIM**

The ornamental design for a low volume subsonic bullet
cartridge case, as shown and described.

DESCRIPTION

FIG. 1 is a top, perspective view of a low volume subsonic
bullet cartridge case showing my new design;

FIG. 2 is a sectional perspective view thereof taken along the
line 2-2 in FIG. 1.

FIG. 3 is a bottom perspective view thereof;

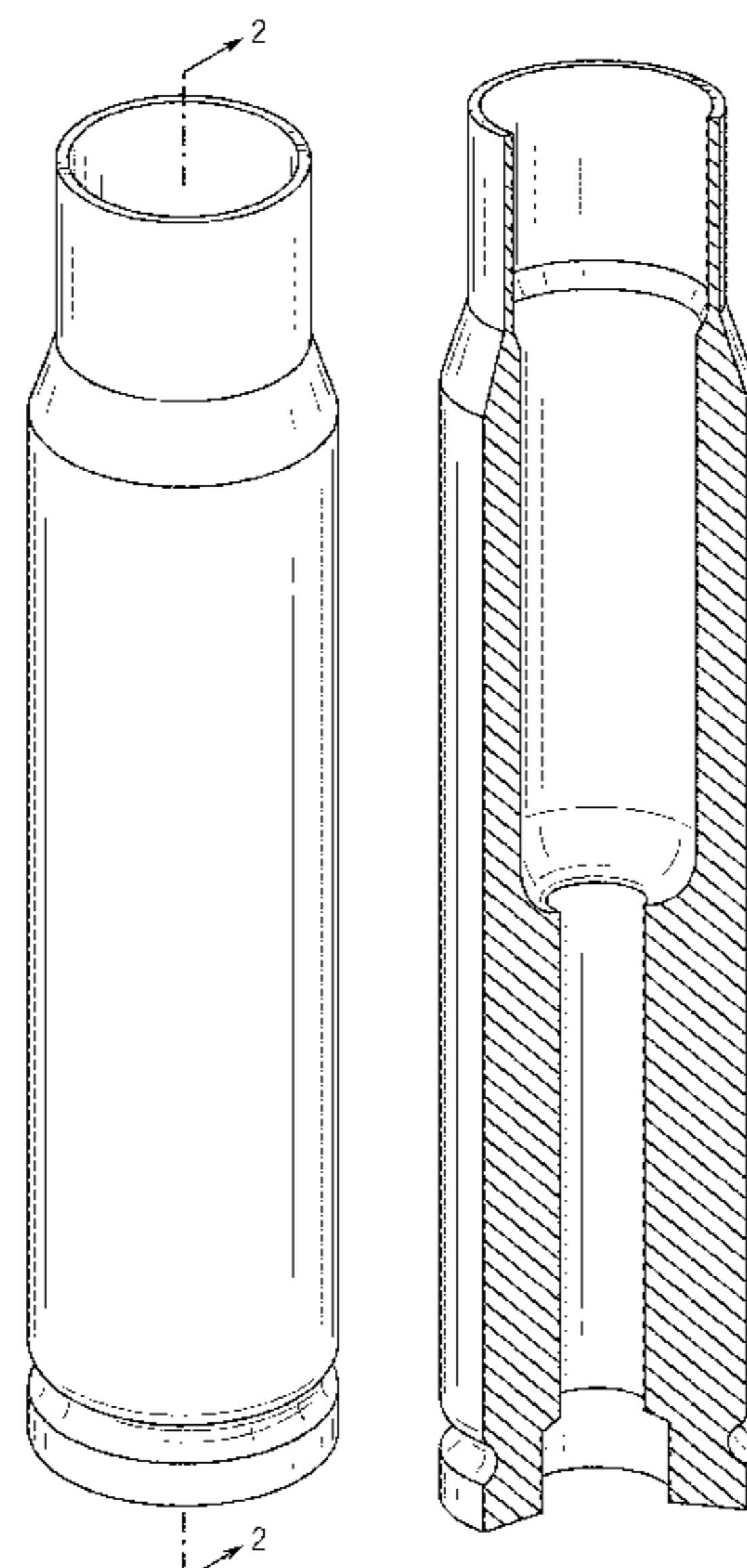
FIG. 4 is a side elevational view thereof, the opposing side,
front, and rear elevation views being identical;

FIG. 5 is a cross-section view thereof taken along the line
5-5 in FIG. 4;

FIG. 6 is a top plan view thereof; and,

FIG. 7 is a bottom plan view thereof.

1 Claim, 4 Drawing Sheets



(56)

References Cited

U.S. PATENT DOCUMENTS

3,797,396	A *	3/1974	Reed	F42B 5/285	5,822,904	A	10/1998	Beal	
					102/464	D533,044	S *	12/2006	Buening D8/103
3,990,366	A *	11/1976	Scanlon	F42B 5/26	D546,657	S *	7/2007	Buening D8/103
					102/467	7,938,067	B2	5/2011	Dindl et al.	
4,041,868	A *	8/1977	Rayle	F42B 5/28	D646,179	S *	10/2011	Jansen D22/116
					102/468	8,763,535	B2 *	7/2014	Padgett F42B 5/313
4,535,697	A *	8/1985	Moser	F42B 5/28	9,003,973	B1	4/2015	Padgett	
					102/464	9,182,204	B2 *	11/2015	Maljkovic F42B 33/10
4,682,545	A *	7/1987	Jett, Jr.	F42B 5/36	D759,189	S *	6/2016	Pederson D22/116
					102/430	9,470,485	B1 *	10/2016	Kley F42B 5/30
4,726,296	A *	2/1988	Leshner	F42B 5/307	D772,993	S *	11/2016	Stover D21/718
					102/430	9,658,038	B1 *	5/2017	Dunnam F42B 7/02
4,809,612	A *	3/1989	Ballreich	B29C 71/04	D792,077	S *	7/2017	Denet D2/966
					102/444	D792,200	S *	7/2017	Baiz D8/387
5,127,331	A *	7/1992	Stoops	F42B 5/30	2003/0019385	A1 *	1/2003	LeaSure F42B 5/025
					102/467					102/444
5,151,555	A *	9/1992	Vatsvog	F42B 5/307	2005/0005807	A1 *	1/2005	Wiley B29C 65/02
					86/10					102/517
5,233,928	A *	8/1993	Ducros	F42B 5/24	2014/0224144	A1 *	8/2014	Neugebauer F42B 5/285
					102/434					102/470
5,259,288	A *	11/1993	Vatsvog	F42B 5/307	2014/0311332	A1	10/2014	Carlson et al.	
					102/430	2015/0144019	A1 *	5/2015	Andersson F42B 12/74
5,463,959	A *	11/1995	Kramer	F41A 21/12					102/514
					102/464	2015/0192394	A1	7/2015	Fritz	
5,770,815	A	6/1998	Watson, Jr.			2016/0377399	A1 *	12/2016	Burrow F42B 33/001
										86/18
						2017/0261299	A1 *	9/2017	Burrow F42C 19/083

* cited by examiner

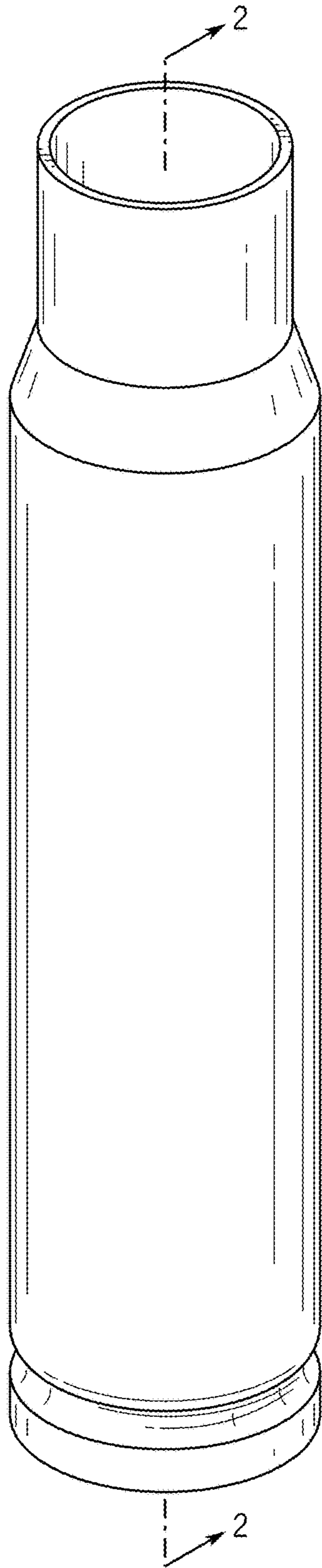


FIG. 1

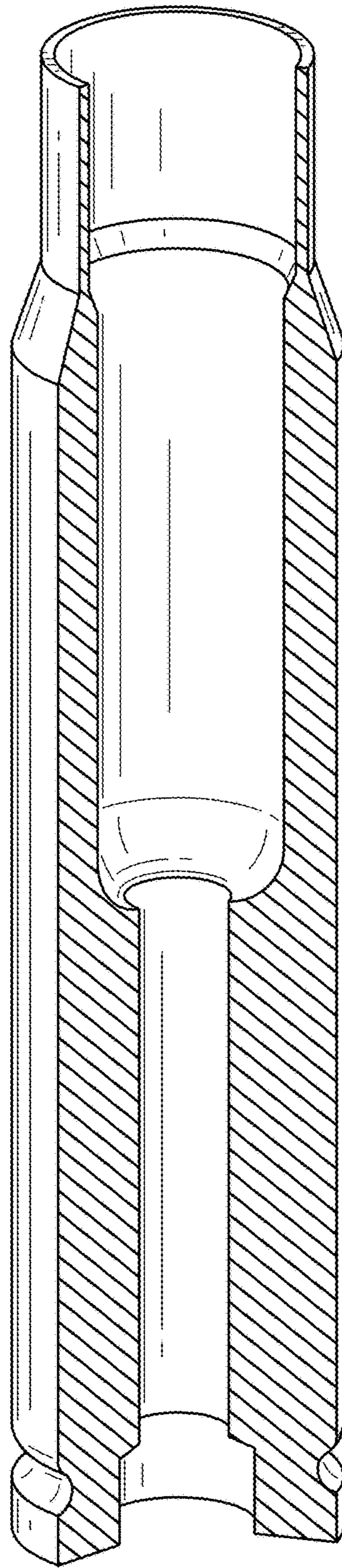


FIG. 2

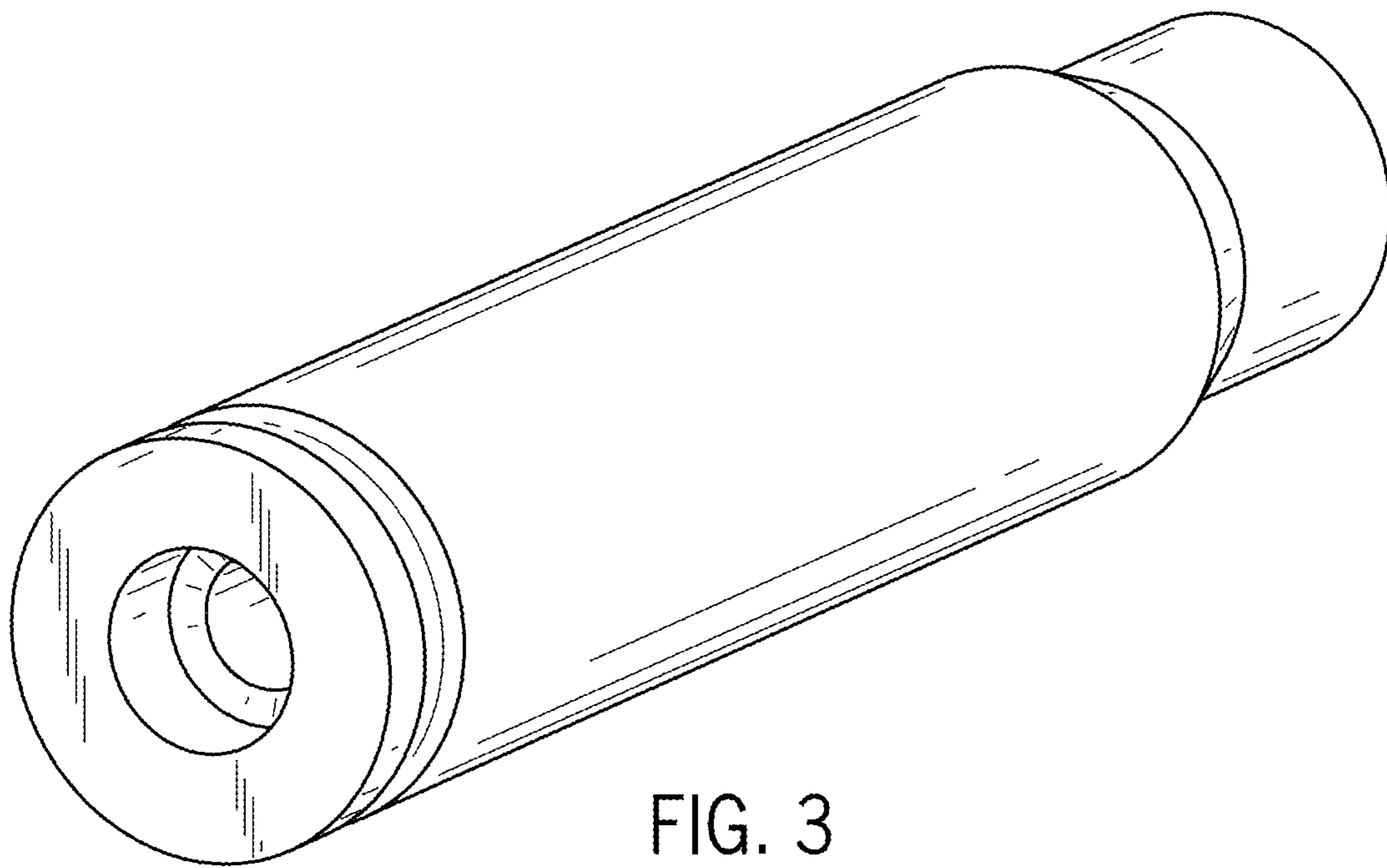


FIG. 3

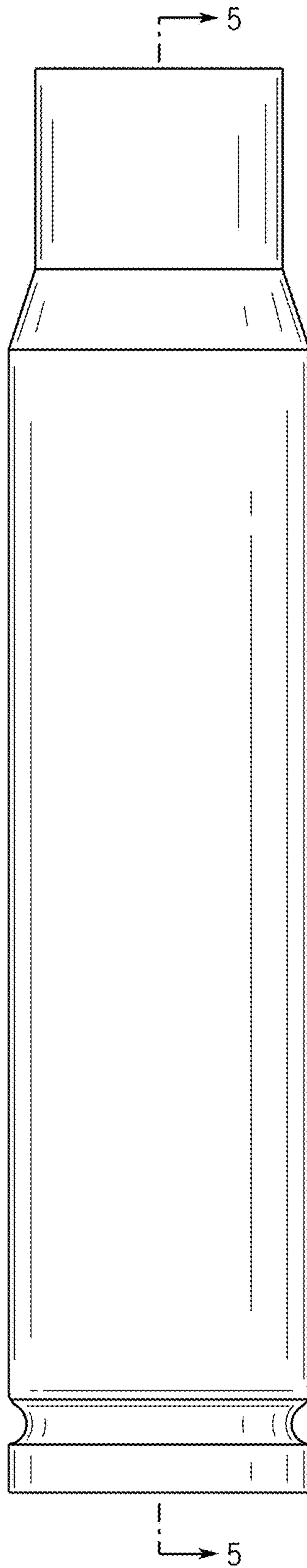


FIG. 4

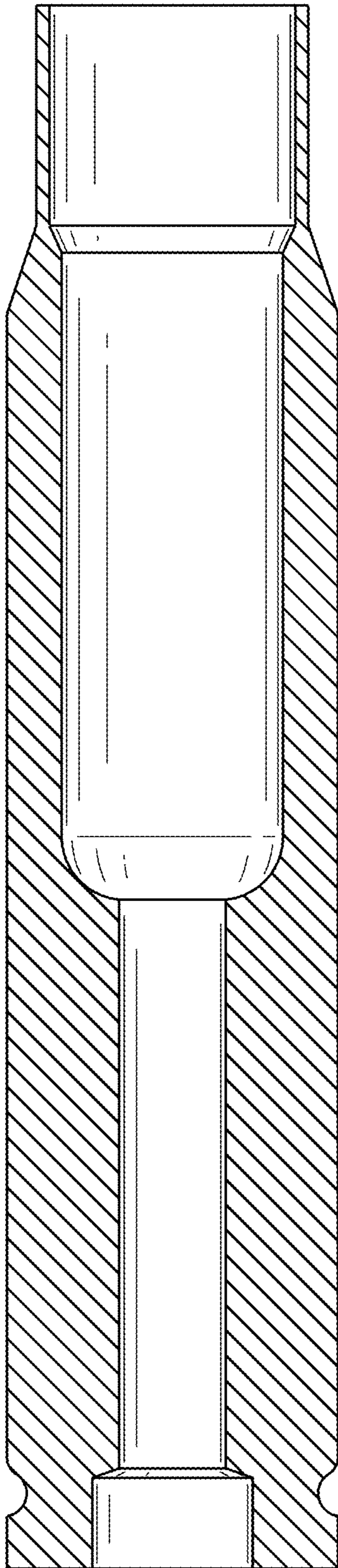


FIG. 5

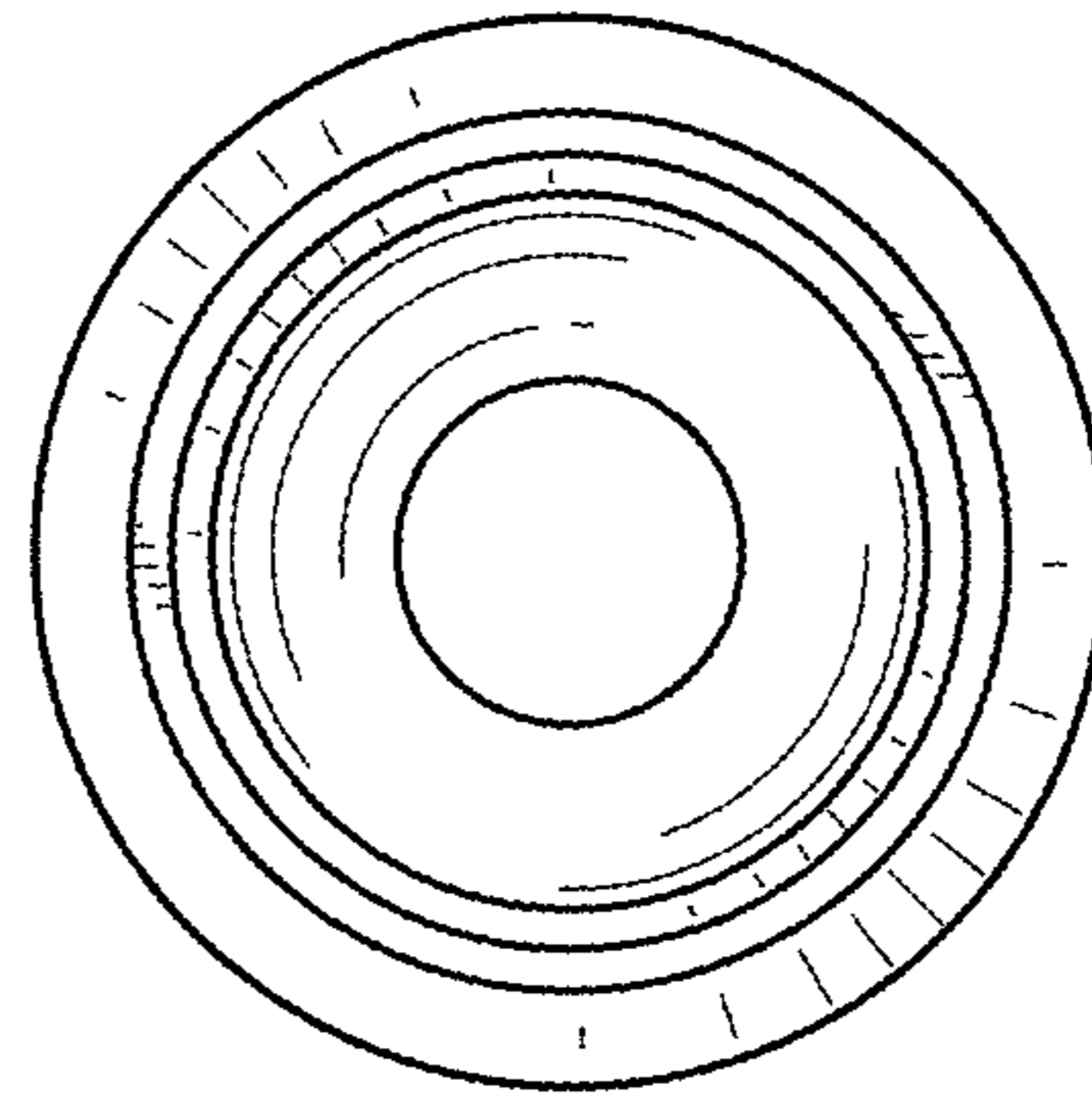


FIG. 6

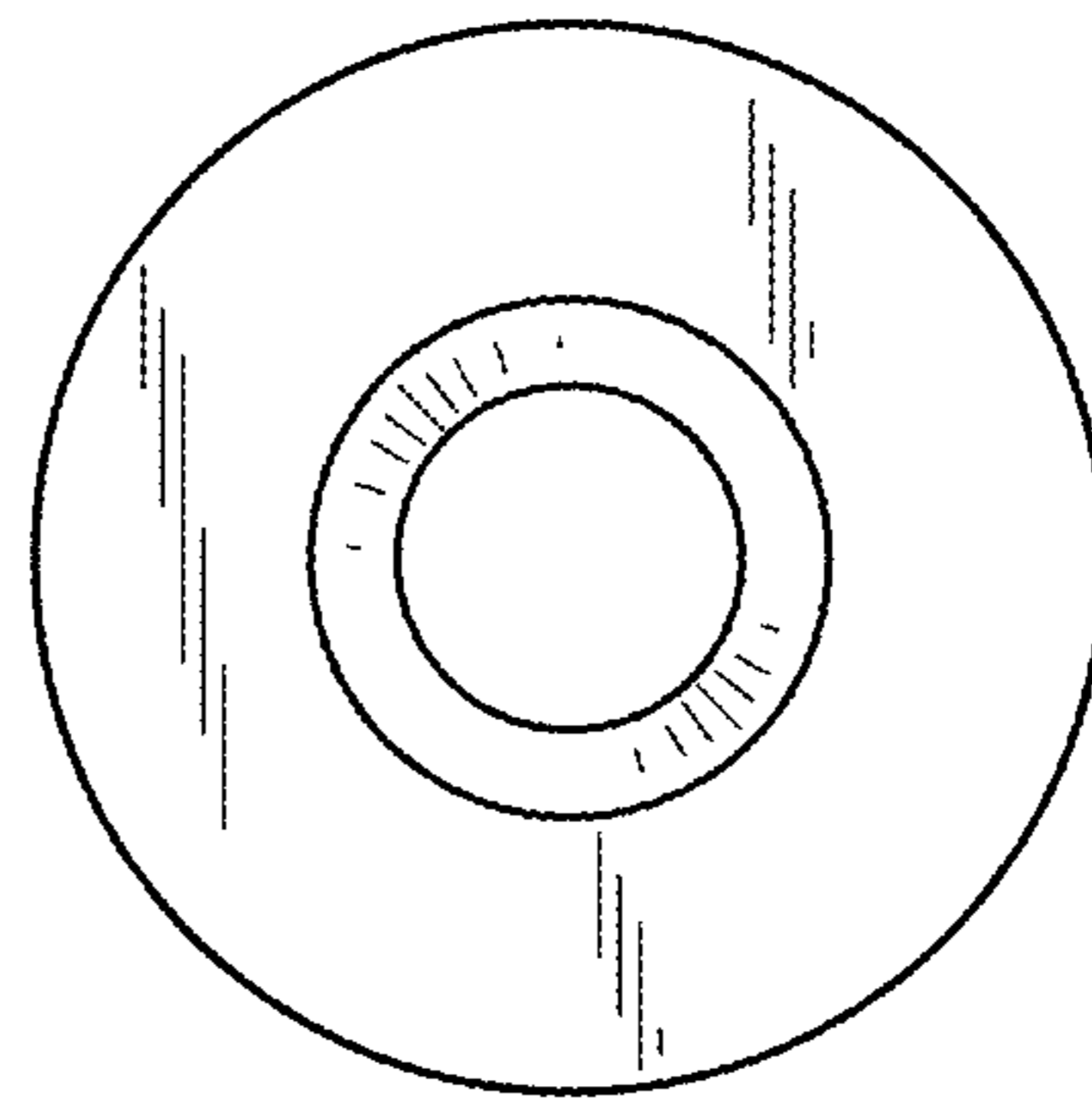


FIG. 7