



US00D813973S

(12) **United States Design Patent**
McKillips

(10) **Patent No.:** **US D813,973 S**
(45) **Date of Patent:** **** Mar. 27, 2018**

(54) **CLAMP FOR FIREARM ACCESSORY MOUNT**

(71) Applicant: **WHG Properties, LLC**, North Wales, PA (US)

(72) Inventor: **Neal McKillips**, Drexel Hill, PA (US)

(73) Assignee: **WHG Properties, LLC**, North Wales, PA (US)

(**) Term: **15 Years**

(21) Appl. No.: **29/552,646**

(22) Filed: **Jan. 25, 2016**

(51) **LOC (11) Cl.** **22-01**

(52) **U.S. Cl.**
USPC **D22/109**

(58) **Field of Classification Search**
USPC D22/100, 108, 109, 110, 199; D8/395, D8/396, 397, 398
CPC .. F41A 3/00; F41A 15/00; F41A 21/00; F41A 29/00; F41C 7/00; F41C 23/00; F41C 27/00; F41G 1/38; F16M 11/00; A47B 96/06

See application file for complete search history.

(56) **References Cited**

U.S. PATENT DOCUMENTS

D322,929 S *	1/1992	Abbestam	D8/397
6,733,221 B2 *	5/2004	Linger	F16B 37/045
				411/104
D512,302 S *	12/2005	Velten	D8/397
D600,311 S *	9/2009	Swan	D22/109
D603,927 S *	11/2009	Larsson	D22/109
D637,260 S *	5/2011	Swan	D22/109

OTHER PUBLICATIONS

Tactical Link, Geissele Automatics Super Precision Optic Mount for the Aimpoint T1, Publication date unknown, [site visited Mar. 10, 2017], Available on the Internet URL: <<http://www.tacticalink.com/Geissele-Automatics-Super-Precision-Lower-Third-Co-Witness-Optics-Mount-For-Aimpoint-T1-Optics-Desert-Dirt-Color.html>>.*

* cited by examiner

Primary Examiner — Karen S Acker

Assistant Examiner — Steven B Reinholdt, Jr.

(74) *Attorney, Agent, or Firm* — Merchant & Gould, P.C.

(57) **CLAIM**

The ornamental design for a clamp for firearm accessory mount, as shown and described.

DESCRIPTION

FIG. 1 is an isometric view of a clamp for firearm accessory mount in accordance with the present disclosure;

FIG. 2 is a further isometric view of the clamp for firearm accessory mount of FIG. 1;

FIG. 3 is yet a further isometric view of the clamp for firearm accessory mount of FIG. 1;

FIG. 4 is a top view of the clamp for firearm accessory mount of FIG. 1;

FIG. 5 is a right side elevation view of the clamp for firearm accessory mount of FIG. 1;

FIG. 6 is a left side elevation view of the clamp for firearm accessory mount of FIG. 1;

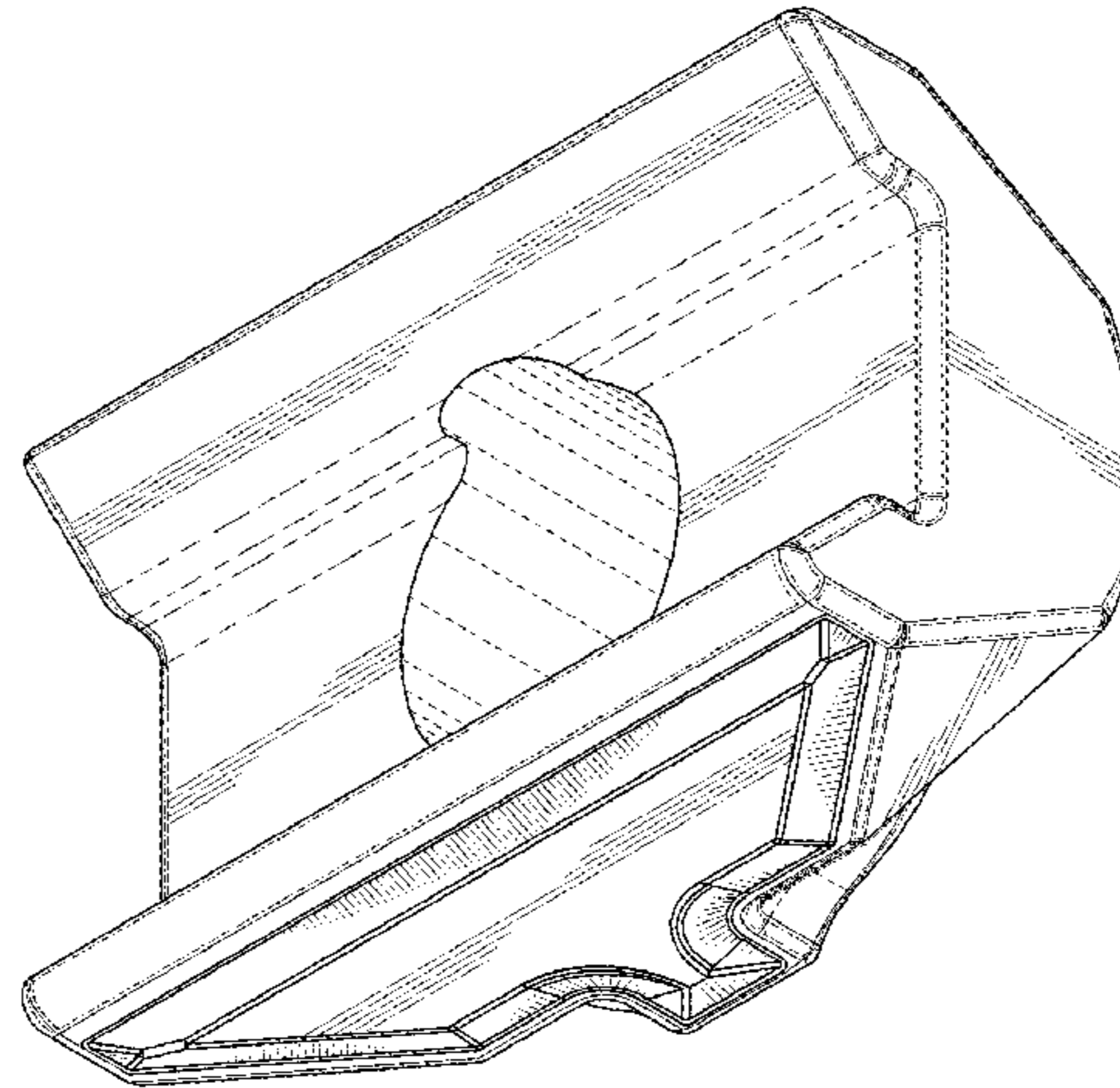
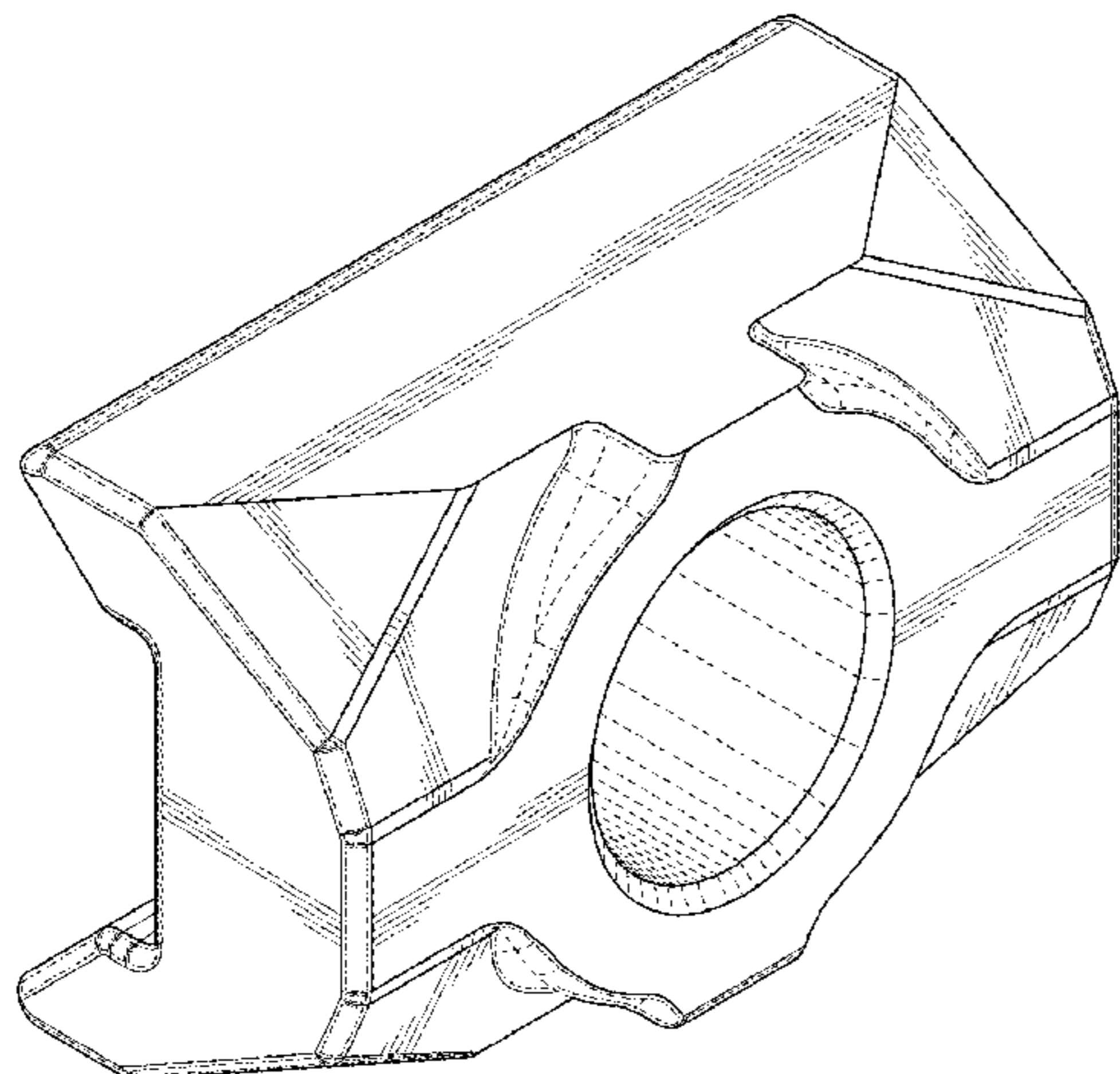
FIG. 7 is a front elevation view of the clamp for firearm accessory mount of FIG. 1;

FIG. 8 is a rear elevation view of the clamp for firearm accessory mount of FIG. 1; and,

FIG. 9 is a bottom view of the clamp for firearm accessory mount of FIG. 1.

The broken lines in the Figures depict portions of the clamp for firearm accessory mount that form no part of the claimed design. The dot-dash broken lines in the Figures depict boundary areas of the clamp for firearm accessory mount that form no part of the claimed design.

1 Claim, 4 Drawing Sheets



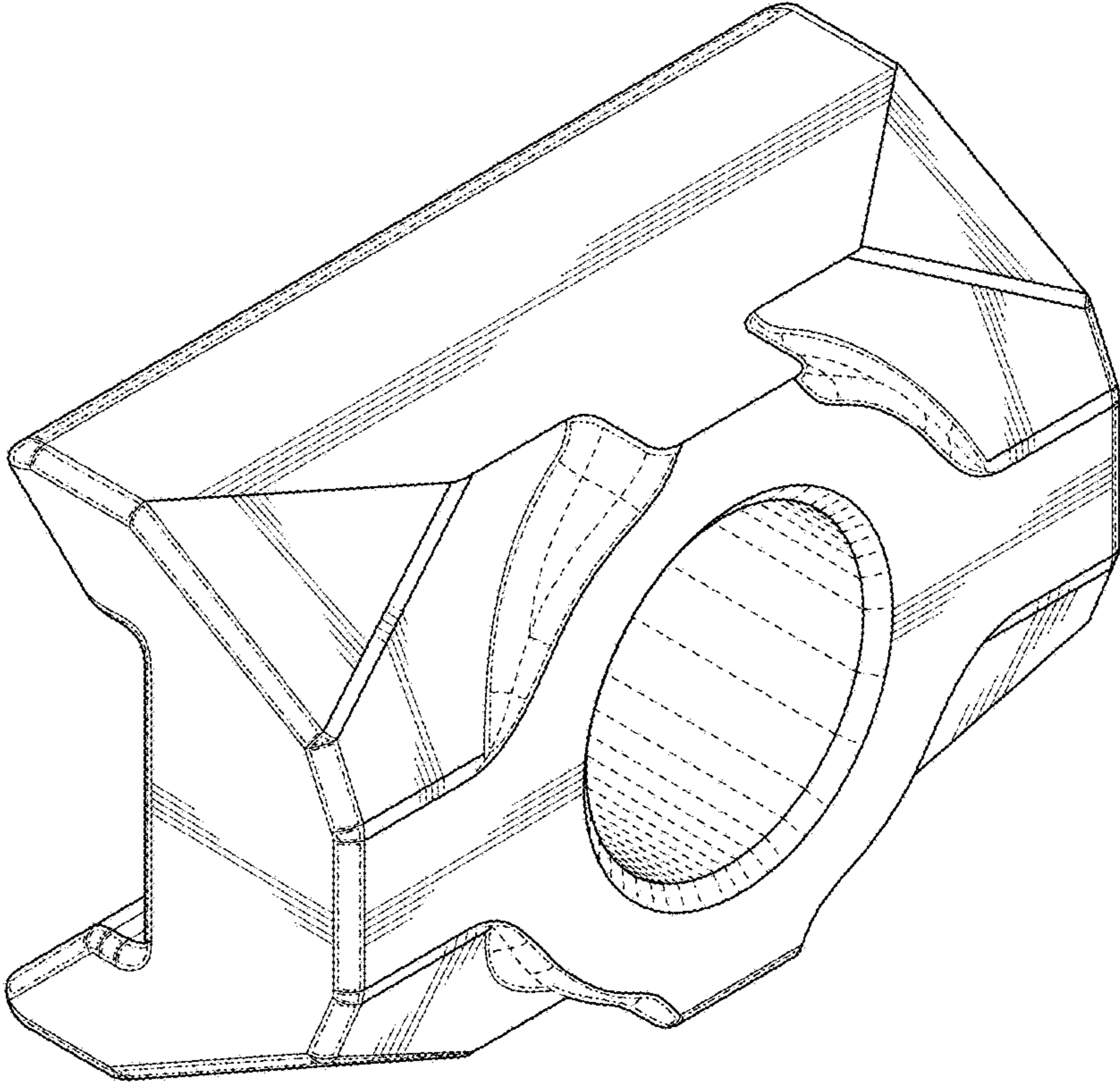


FIG. 1

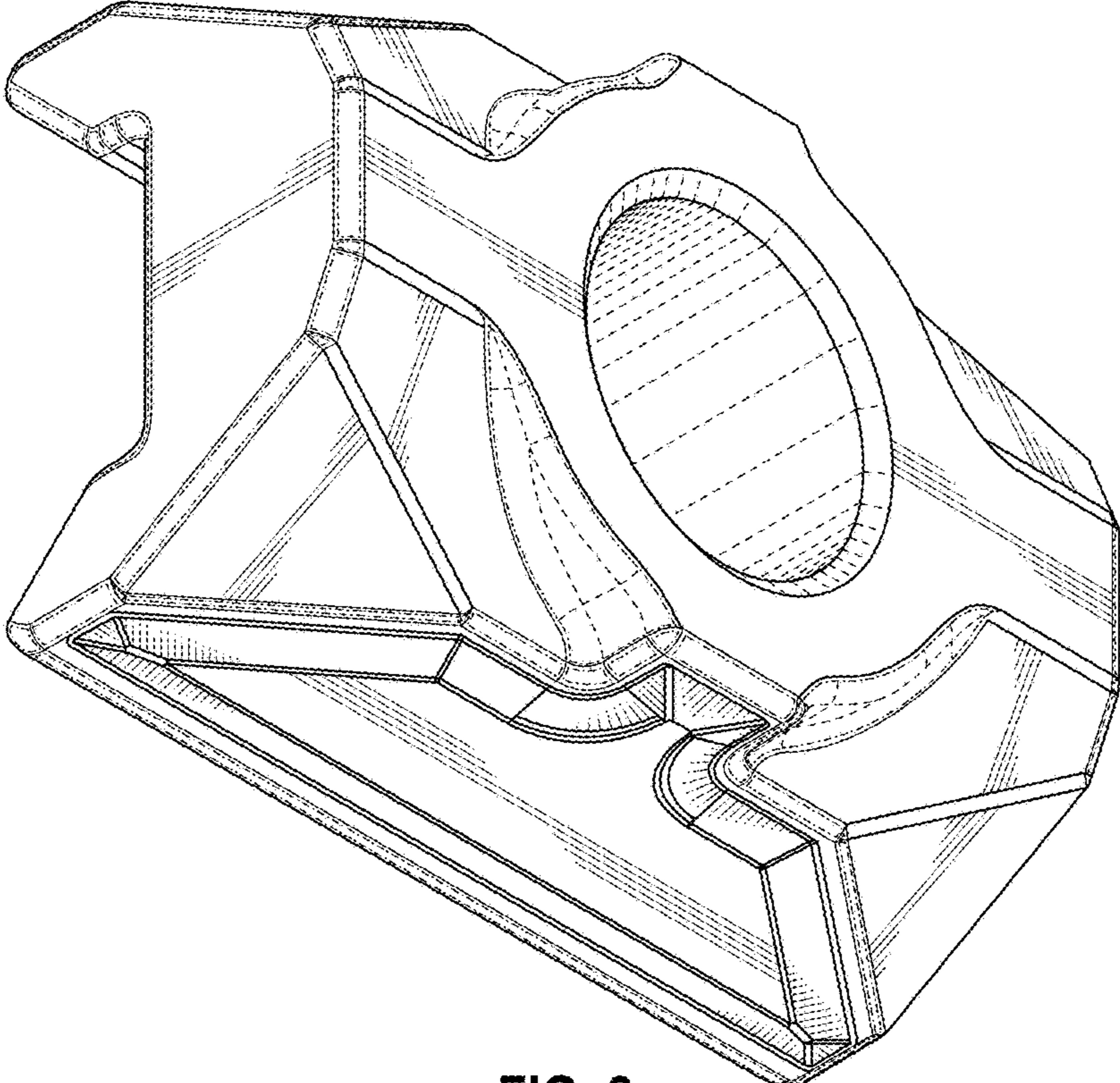


FIG. 2

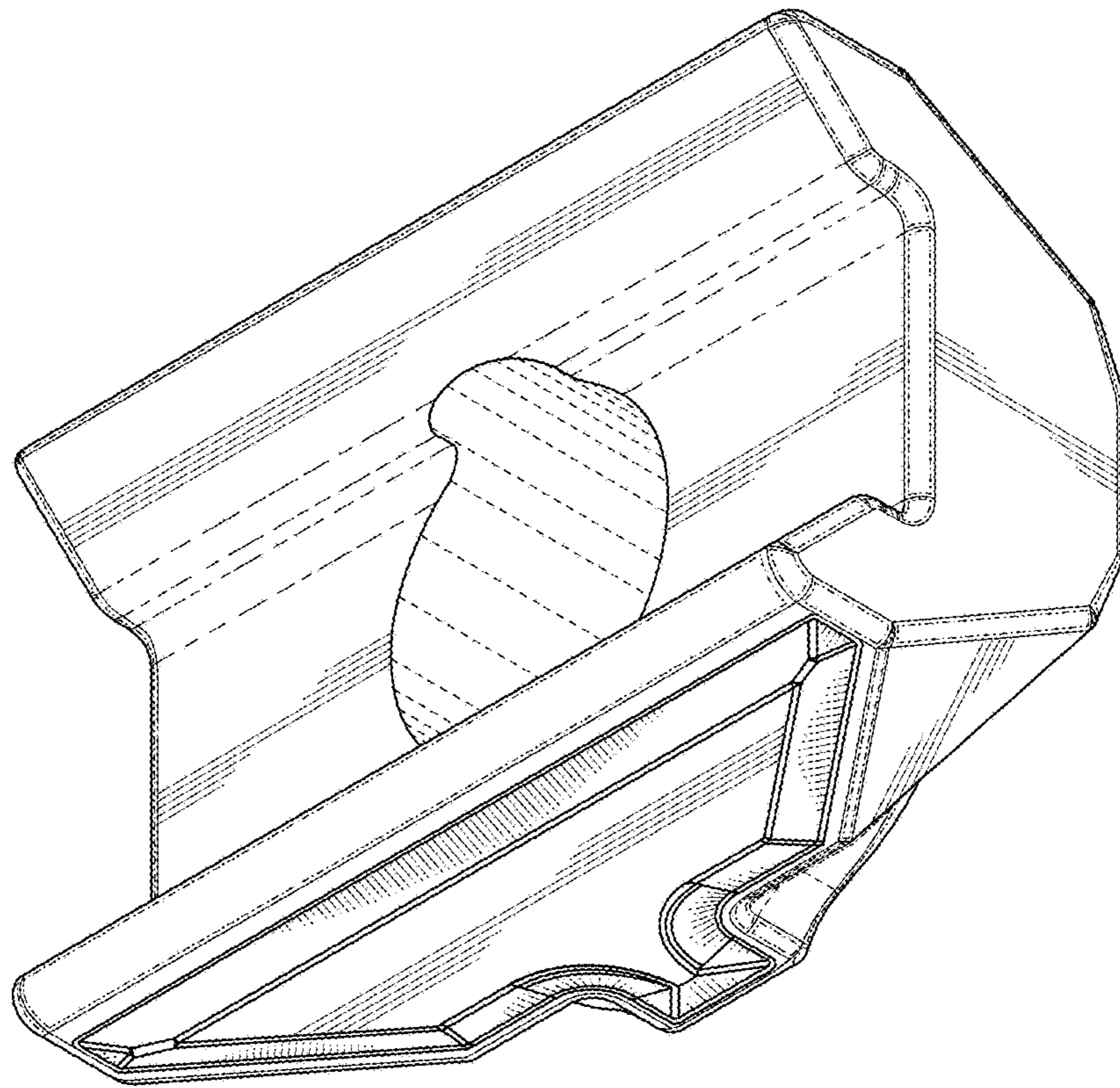


FIG. 3

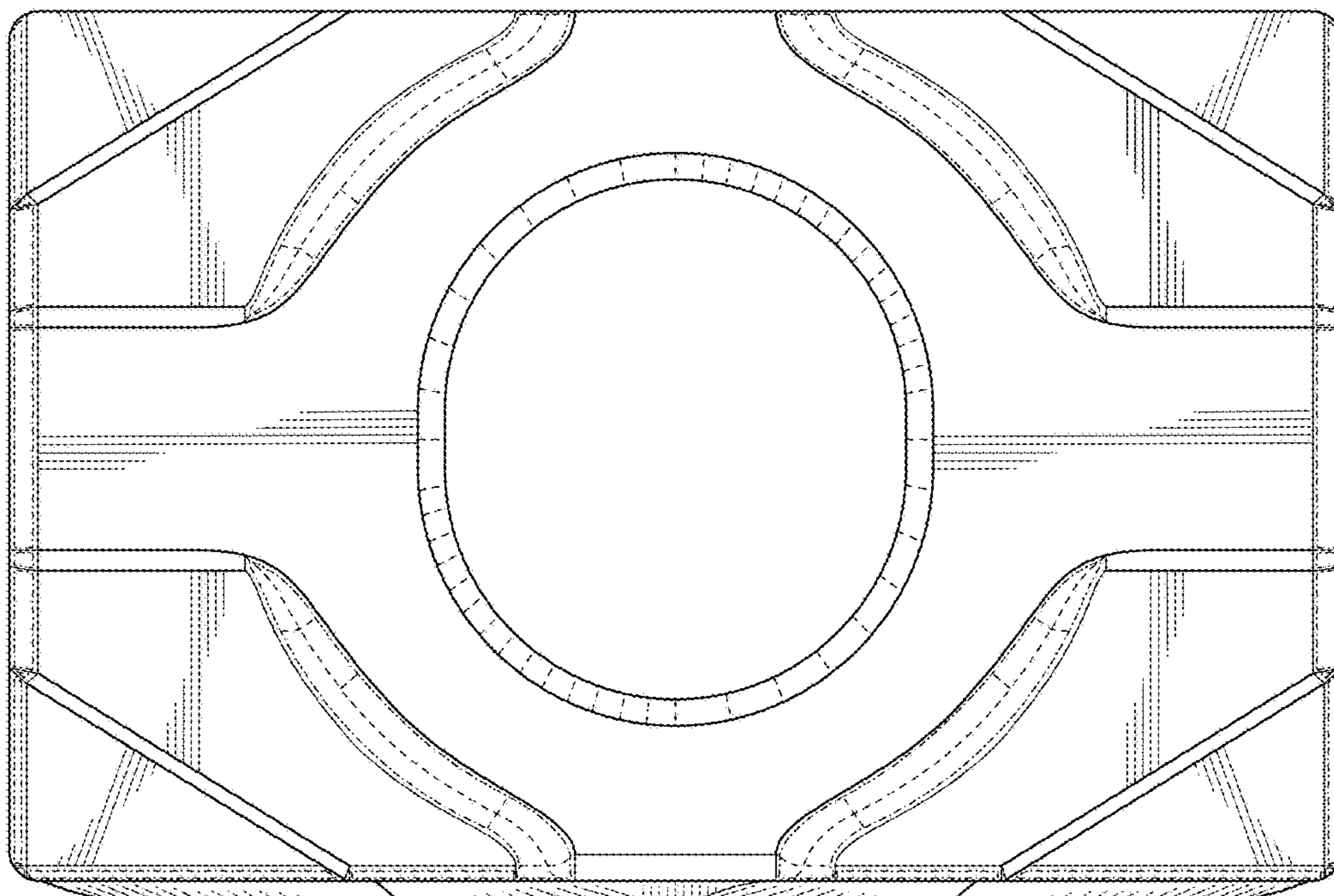


FIG. 4

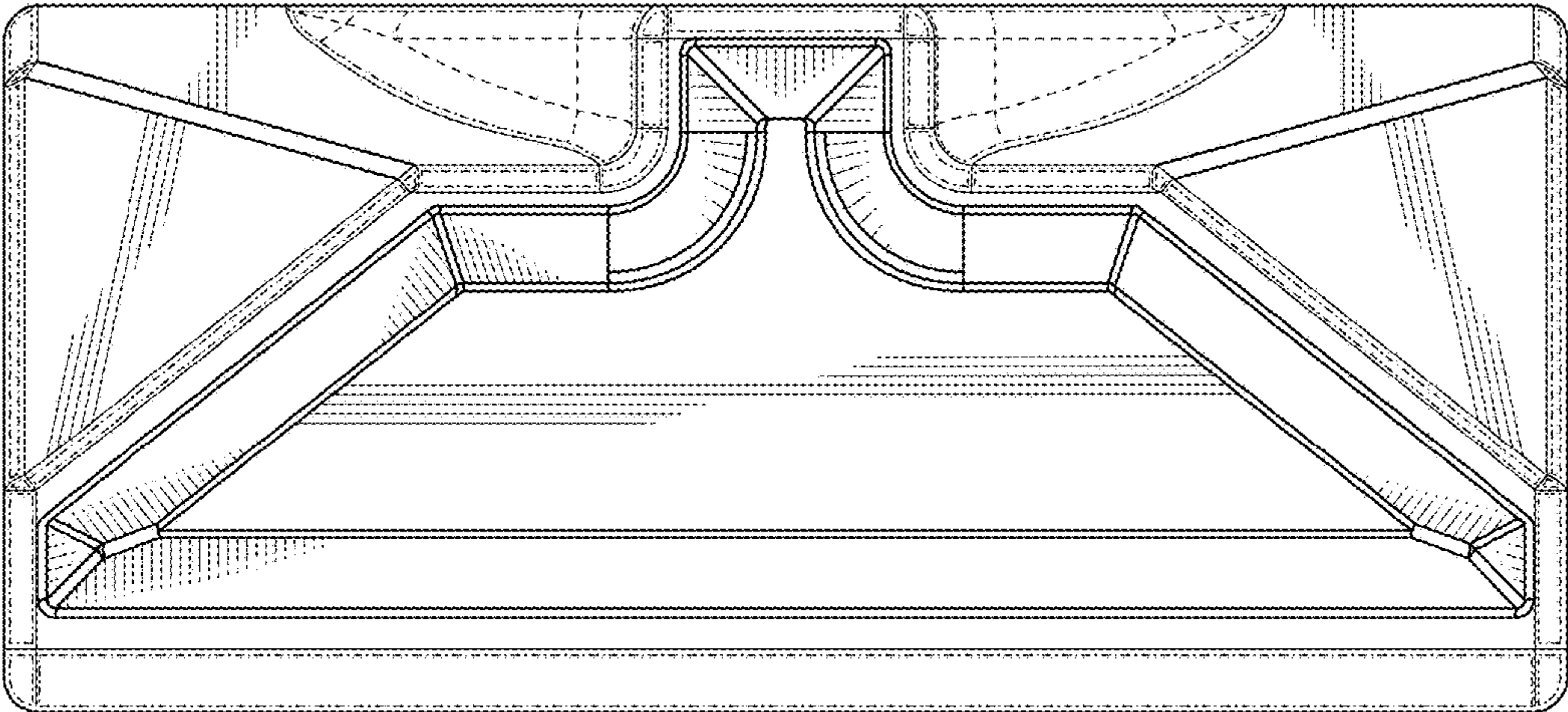


FIG. 5

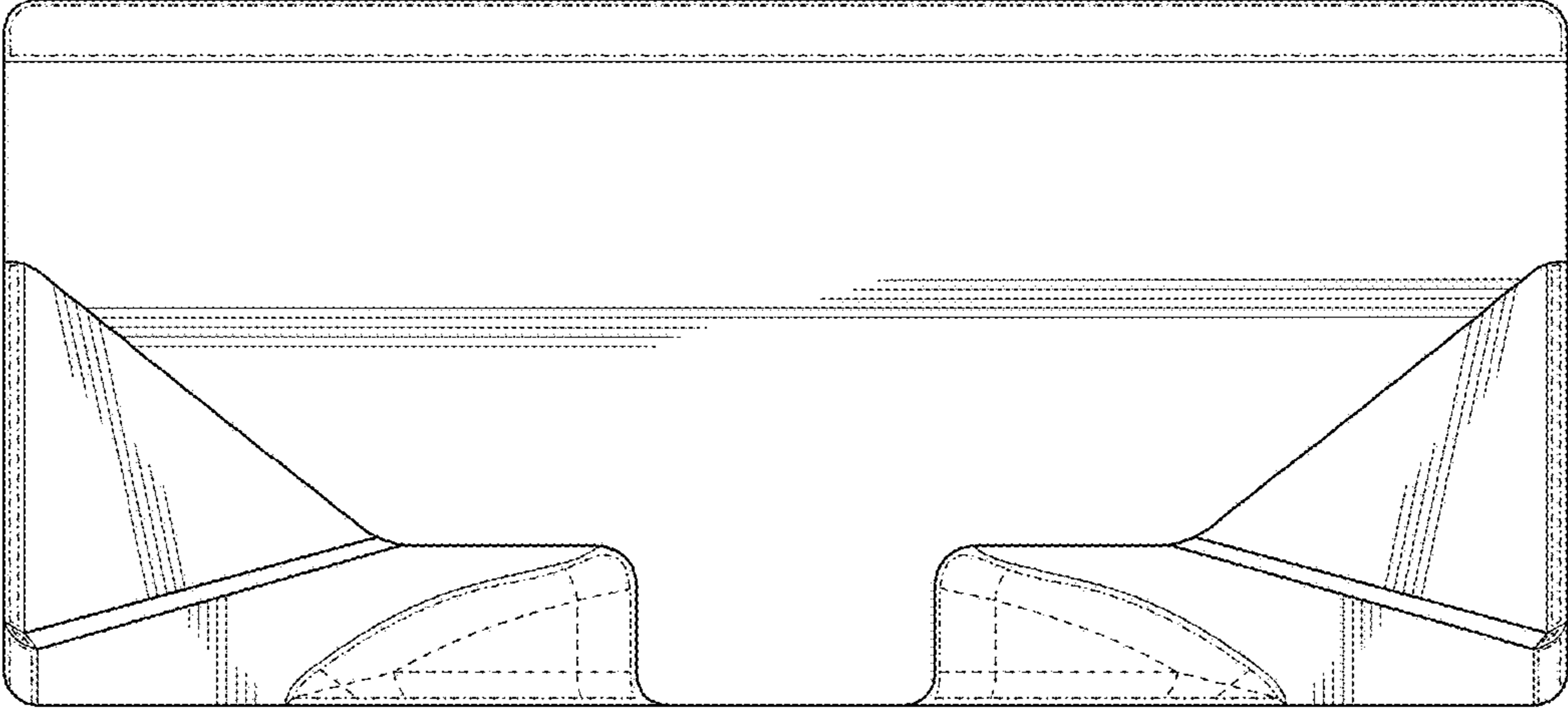


FIG. 6

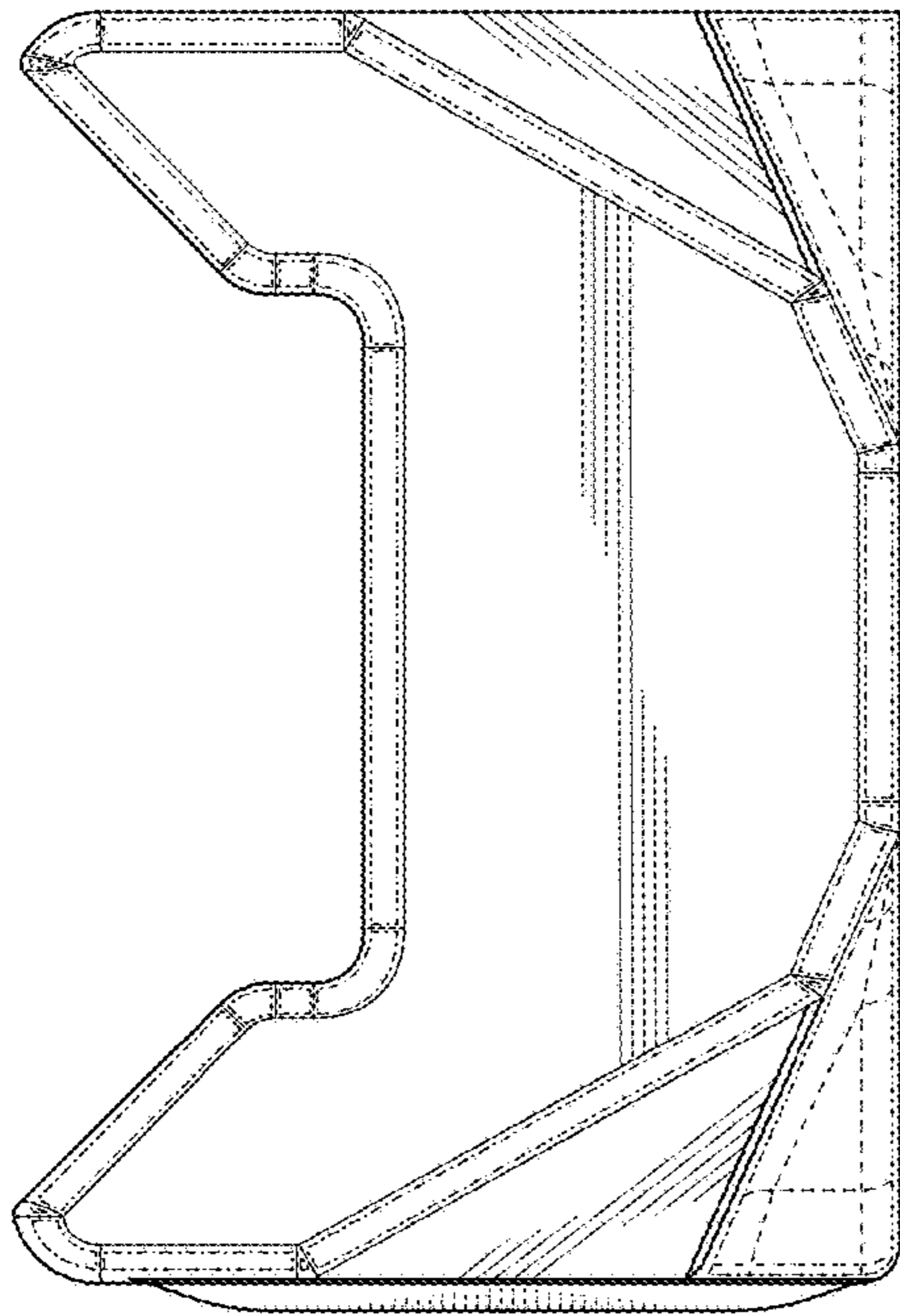


FIG. 7

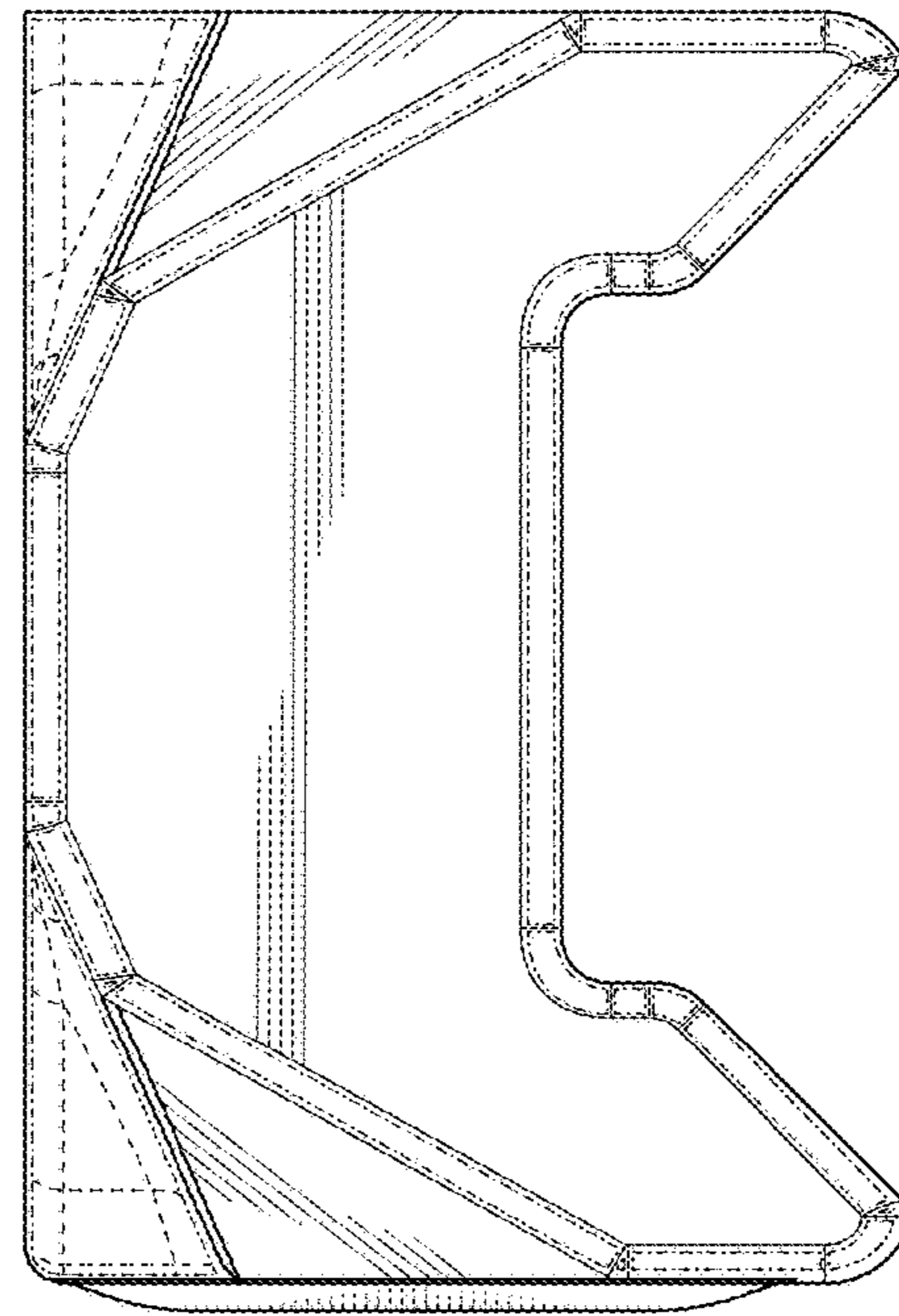


FIG. 8

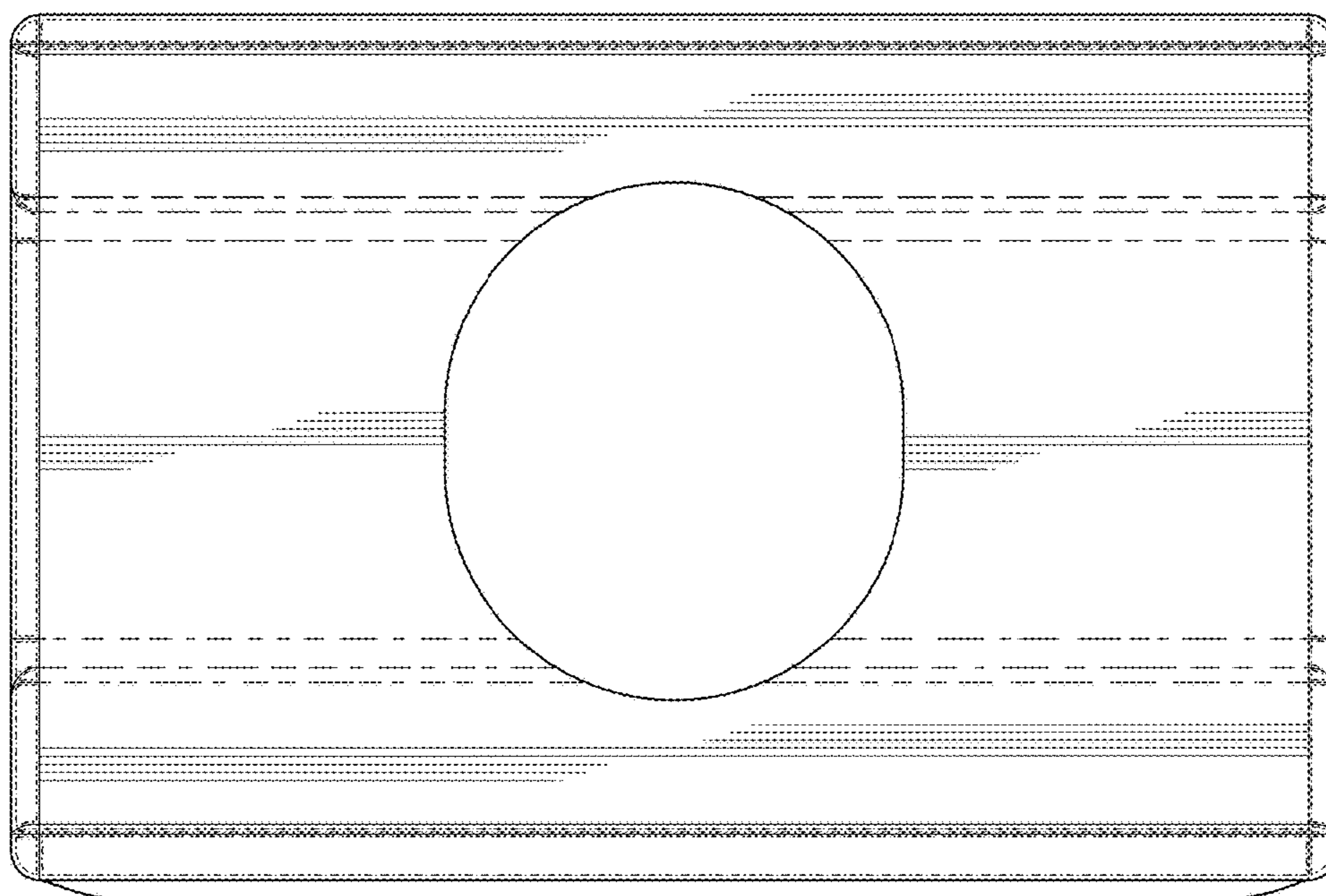


FIG. 9