



US00D813972S

(12) **United States Design Patent** (10) **Patent No.:** **US D813,972 S**  
**Montes et al.** (45) **Date of Patent:** **\*\* Mar. 27, 2018**

(54) **END PLATE FOR A FIREARM**  
(71) Applicant: **Phase 5 Weapon Systems Inc.**,  
Roseville, CA (US)  
(72) Inventors: **Kenneth Montes**, Roseville, CA (US);  
**Leon A. Wauters**, Roseville, CA (US)  
(73) Assignee: **Phase 5 Weapon Systems Inc.**,  
Roseville, CA (US)  
(\*\*) Term: **15 Years**  
(21) Appl. No.: **29/583,377**  
(22) Filed: **Nov. 4, 2016**  
(51) **LOC (11) Cl.** ..... **22-01**  
(52) **U.S. Cl.**  
USPC ..... **D22/108**  
(58) **Field of Classification Search**  
USPC ..... D22/108; D8/356, 349, 353, 367, 371,  
D8/373; 42/85, 94; D3/214–215, 221,  
D3/262, 327–328; 224/150; D29/101.1,  
D29/101.2  
CPC .. F41C 33/02; F41C 33/0209; F41C 33/0236;  
F41C 33/0245; F41C 33/0254; F41C  
33/0263; F41C 33/0272; F41C 33/0281;  
F41C 33/06; F41C 23/02  
See application file for complete search history.

(56) **References Cited**  
U.S. PATENT DOCUMENTS  
3,531,077 A 9/1970 Trottier et al.  
4,505,012 A 3/1985 Johnson  
4,665,641 A 5/1987 Llames  
5,074,069 A 12/1991 Shire  
5,075,996 A 12/1991 Llames  
5,303,859 A 4/1994 Jenkin  
5,305,540 A 4/1994 Blenk  
5,575,411 A 11/1996 Hightower  
6,363,532 B1 4/2002 Miller et al.  
6,598,330 B2 7/2003 Garrett et al.

7,082,709 B2 8/2006 Lindsey  
D568,957 S \* 5/2008 Esch ..... D22/108  
D636,835 S \* 4/2011 Fitzpatrick ..... D22/108  
D636,836 S \* 4/2011 Fitzpatrick ..... D22/108  
7,950,551 B2 5/2011 Thompson  
D664,233 S \* 7/2012 Heidkamp ..... D22/108  
(Continued)

**OTHER PUBLICATIONS**

Product 360—Sloped Quick Disconnect End Plate (SQD-EP) Red,  
YouTube.com, Phase 5 Weapon Systems, Published on May 5,  
2017, [online], [site visited Jan. 10, 2018]. <URL: <https://www.youtube.com/watch?v=xWm2EMTGBds>> (Year: 2017).\*

(Continued)

*Primary Examiner* — T. Chase Nelson  
*Assistant Examiner* — Jonathan J. Han  
(74) *Attorney, Agent, or Firm* — Law Office of Andrei D  
Popovici, PC

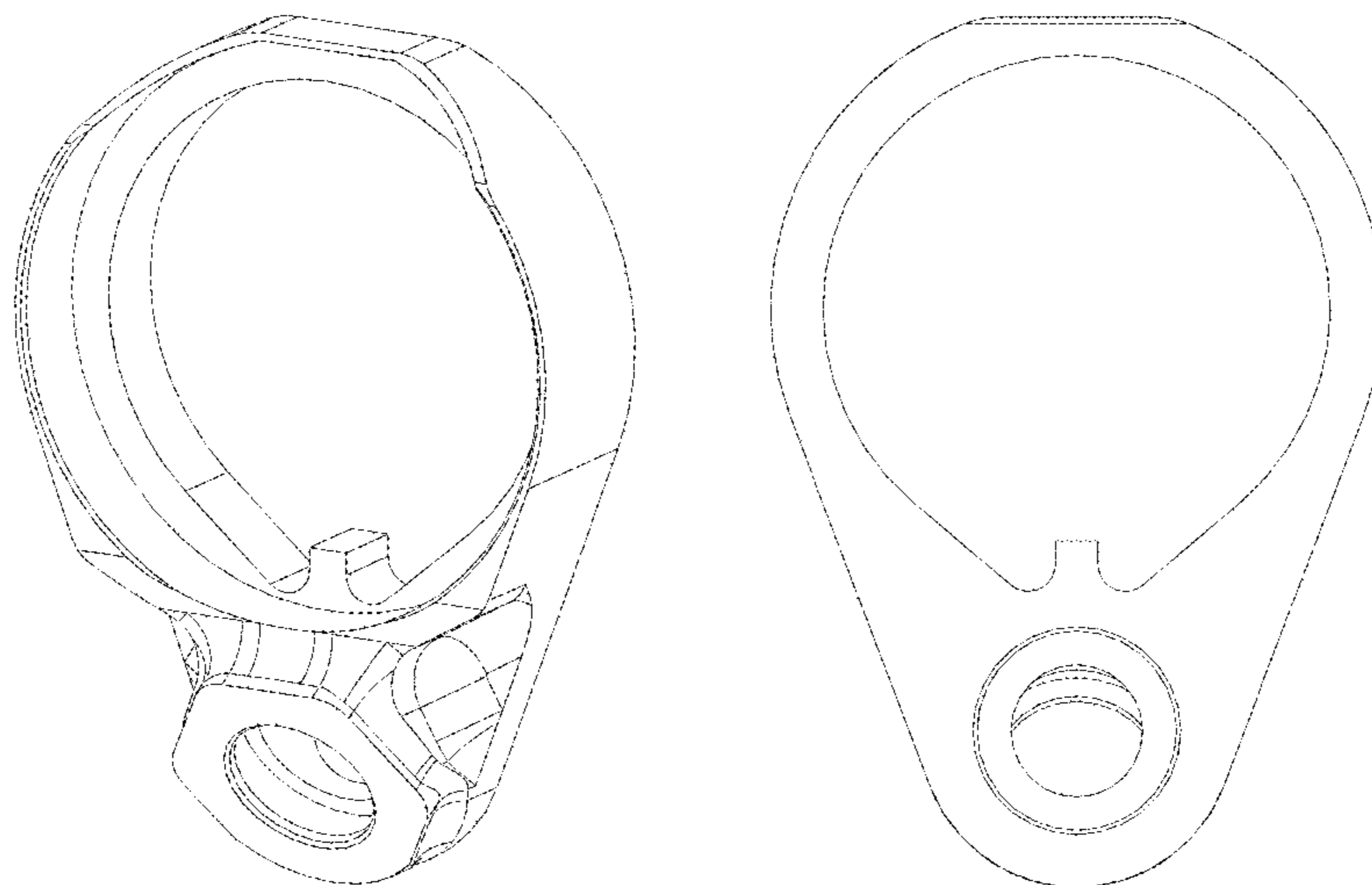
(57) **CLAIM**

What is claimed is the ornamental design for an end plate for  
a firearm, as shown.

**DESCRIPTION**

FIG. 1 shows an isometric view of an end plate for a firearm.  
FIG. 2 shows a front elevation view of an end plate for a  
firearm.  
FIG. 3 shows a back elevation view of an end plate for a  
firearm.  
FIG. 4 shows a left side elevation view of an end plate for  
a firearm.  
FIG. 5 shows a right side elevation view of an end plate for  
a firearm.  
FIG. 6 shows an enlarged top plan view of an end plate for  
a firearm; and,  
FIG. 7 shows an enlarged bottom plan view of an end plate  
for a firearm.

**1 Claim, 7 Drawing Sheets**



(56)

References Cited

U.S. PATENT DOCUMENTS

8,312,662 B2 \* 11/2012 Rogers ..... F41C 23/02  
42/85  
8,403,272 B2 \* 3/2013 Ohno ..... F16L 3/127  
174/164  
D681,440 S \* 5/2013 Yu ..... D8/396  
D683,262 S \* 5/2013 Fitzpatrick ..... D11/218  
D695,042 S \* 12/2013 Licciardi Di Stefano ..... D6/580  
8,596,504 B2 \* 12/2013 Haley, Sr. .... F41C 33/002  
224/149  
D702,311 S \* 4/2014 Fitzpatrick ..... D22/108  
D706,378 S \* 6/2014 Fitzpatrick ..... D22/108  
D722,355 S \* 2/2015 Daniel ..... D22/108  
9,052,157 B1 6/2015 Montes  
9,157,699 B2 \* 10/2015 Ward ..... F41C 33/002  
D747,245 S \* 1/2016 Nosworthy ..... D12/180  
D748,016 S \* 1/2016 Wang ..... D12/114  
9,243,866 B2 \* 1/2016 Roberts ..... F41C 23/02  
D748,753 S \* 2/2016 Chow ..... D22/108  
D749,401 S \* 2/2016 Duvekot ..... D8/367  
D749,835 S \* 2/2016 Whitaker ..... D3/10  
9,447,815 B2 \* 9/2016 Roberts ..... F16B 45/00  
9,470,258 B2 \* 10/2016 Fitz-Earle ..... F16B 45/02  
D777,289 S \* 1/2017 Cheng ..... D22/109  
D782,488 S \* 3/2017 Kim ..... D14/447  
D786,659 S \* 5/2017 Wien Stringdahl ..... D8/383  
D786,671 S \* 5/2017 Khetarpaul ..... D7/394  
9,661,836 B2 \* 5/2017 Ohata ..... A01K 87/08  
D798,130 S \* 9/2017 Chi ..... D8/367  
D799,312 S \* 10/2017 Ng ..... D8/383  
D801,693 S \* 11/2017 Salvador ..... D3/324  
D803,668 S \* 11/2017 Bradshaw ..... D8/367  
D806,821 S \* 1/2018 Ballard ..... D22/109  
D806,823 S \* 1/2018 Bengtsson ..... D22/110

2005/0268516 A1 12/2005 Nelson  
2009/0288325 A1 11/2009 Esch  
2010/0162609 A1 \* 7/2010 Rogers ..... F41C 23/02  
42/85  
2011/0017788 A1 1/2011 Haley et al.  
2011/0138671 A1 6/2011 Rogers et al.  
2011/0239512 A1 10/2011 Kleven  
2013/0305582 A1 \* 11/2013 Mayberry ..... F41C 33/006  
42/85

OTHER PUBLICATIONS

Sloped Quick Disconnect End Plate (SQD-EP), Phase5wsi.com, [online], [site visited Jan. 10, 2018]. <URL: <http://phase5wsi.com/sloped-quick-disconnect-end-plate-sqd-ep.html>> (Year: 2018).\*  
\*\*\*New\*\*\* Phase 5 Tactical Sloped Quick Disconnect End Plate, AR15News.com, Sep. 6, 2016, [online],[site visited Jan. 10, 2018]. <URL: <http://www.ar15news.com/2016/09/06/new-phase-5-tactical-sloped-quick-disconnect-plate/>> (Year: 2016).\*  
Brownells—AR-15/M16 Receiver End Plate, Brownells.com, [online], [site visited Jan. 10, 2018]. <URL: <https://www.brownells.com/rifle-parts/receiver-parts/buffer-tube-parts/buffer-tube-hard-ware/ar-15-m16-receiver-end-plate-prod20464.aspx>> (Year: 2018).\*  
Ratchet Lock Castle Nut & Endplate Set, PrimaryWeapons.com, [online], [site visited Jan. 10, 2018]. <URL: <https://primaryweapons.com/store/product/ebt-mod-2-end-plate-castle-nut/>> (Year: 2018).\*  
Lantac Shows their RPS (Ratchet Plate System) QD MSR End Plate, TheFirearmBlog.com, Posted May 8, 2017 by Nathan S., [online], [site visited Jan. 10, 2018]. <URL: <http://www.thefirearmblog.com/blog/2017/05/08/lantac-shows-rps-ratchet-plate-system-qd-msr-end-plate/>> (Year: 2017).\*

\* cited by examiner

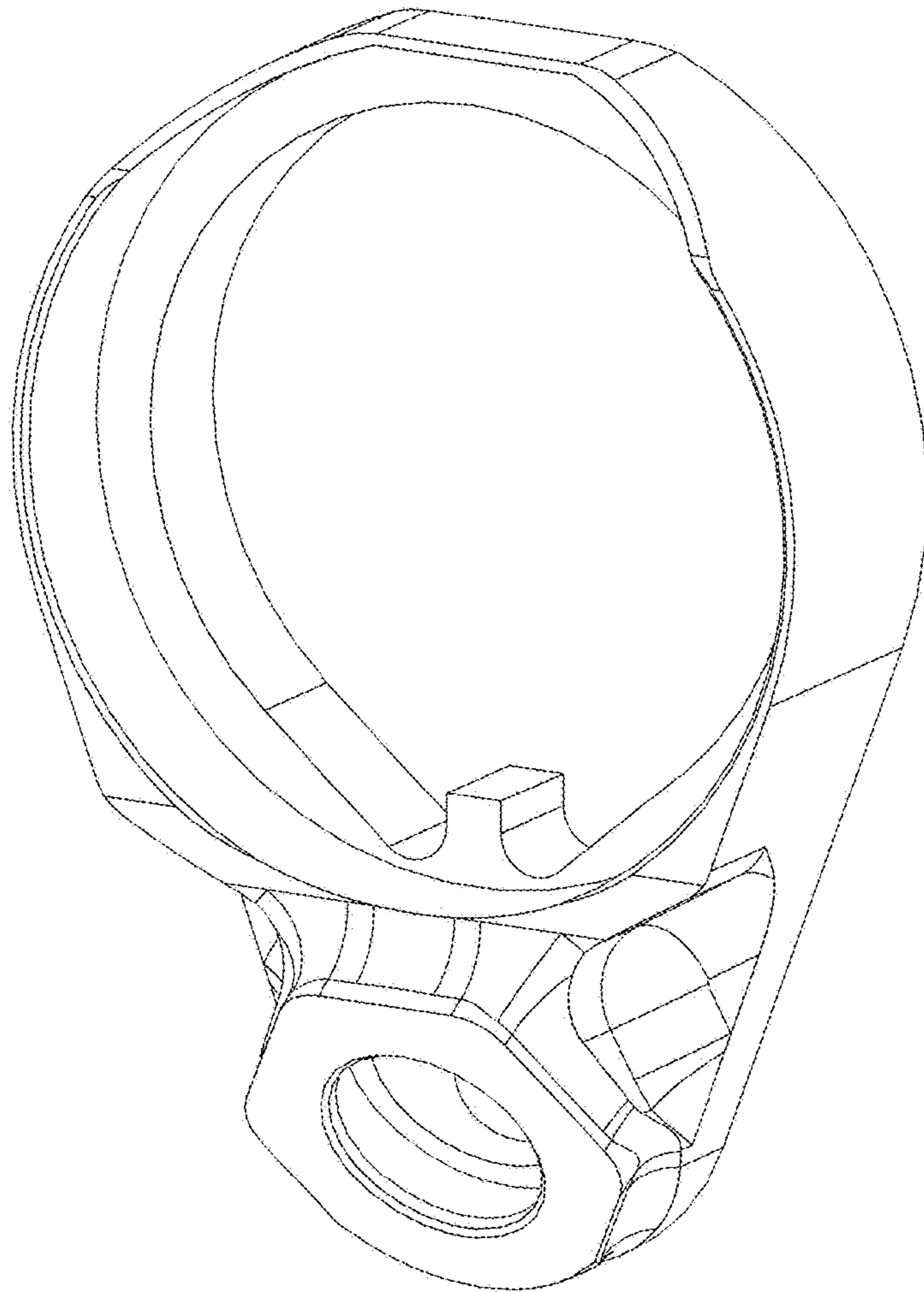


FIG. 1

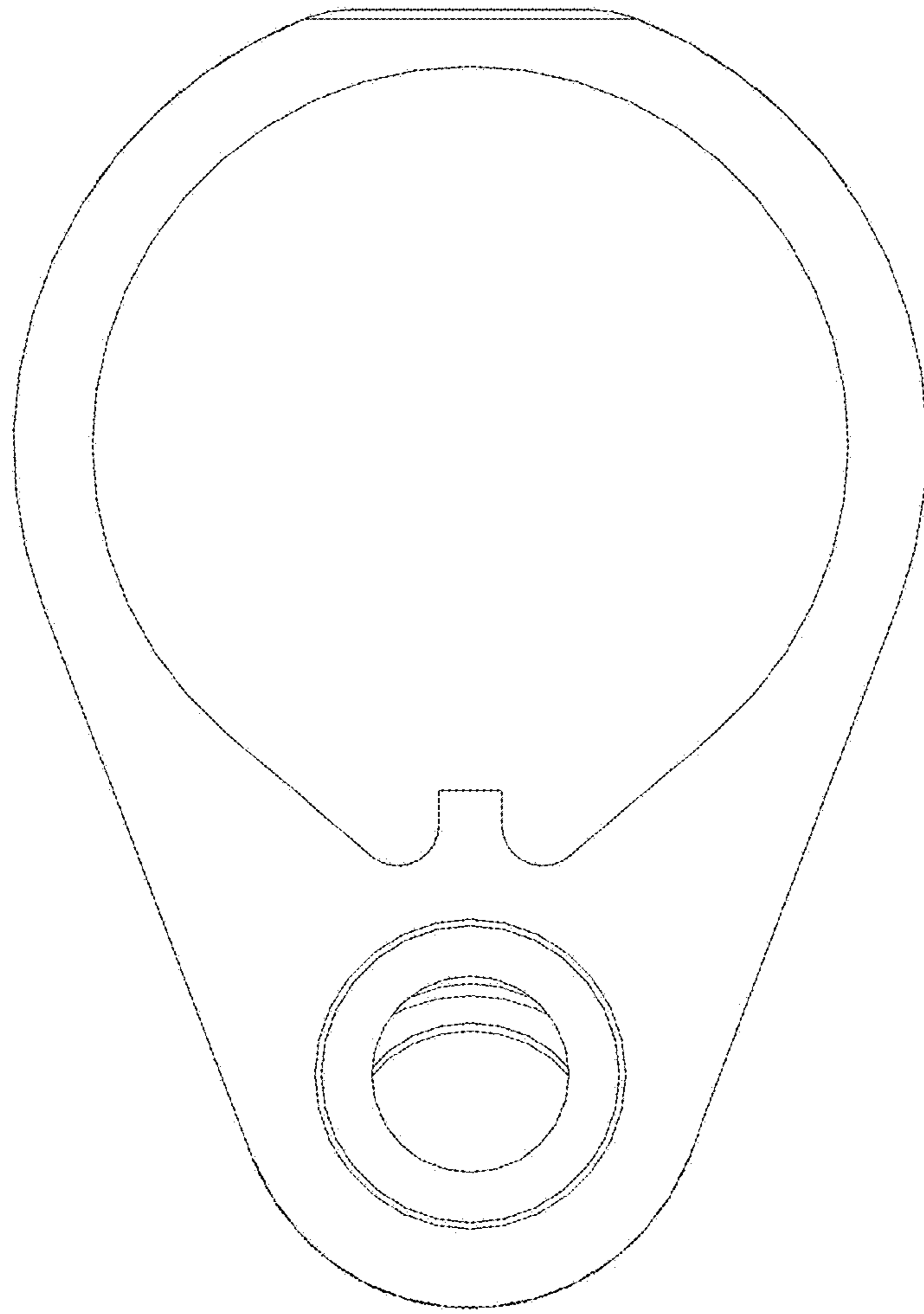


FIG. 2

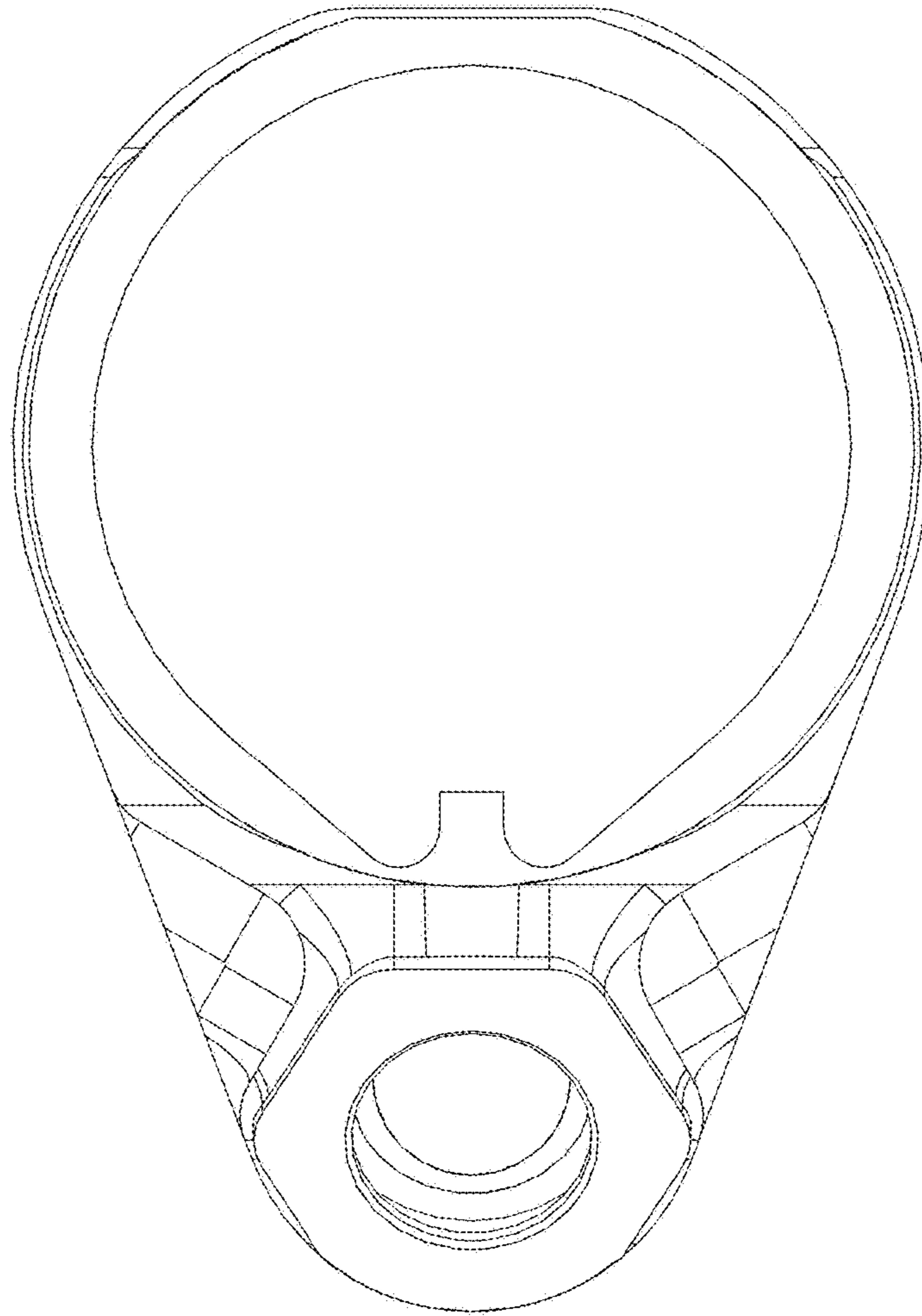


FIG. 3

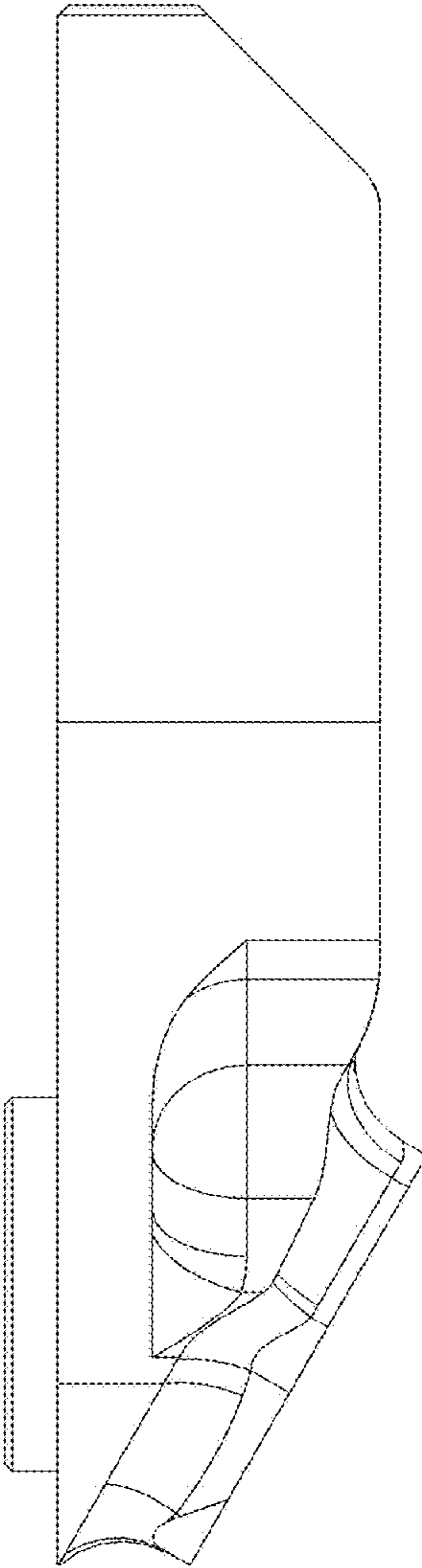


FIG. 4

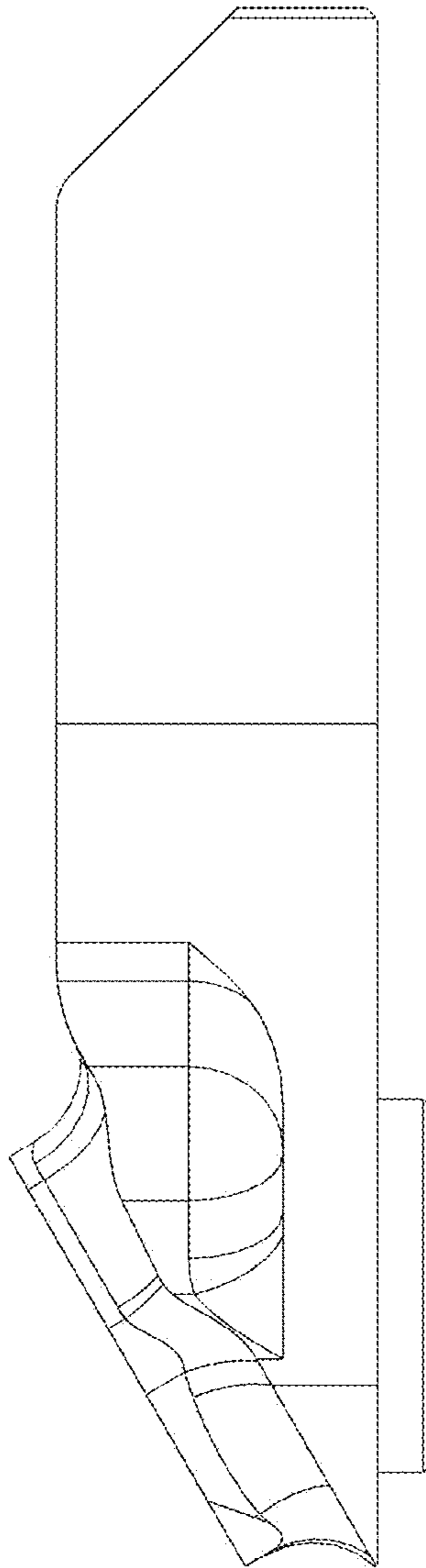


FIG. 5

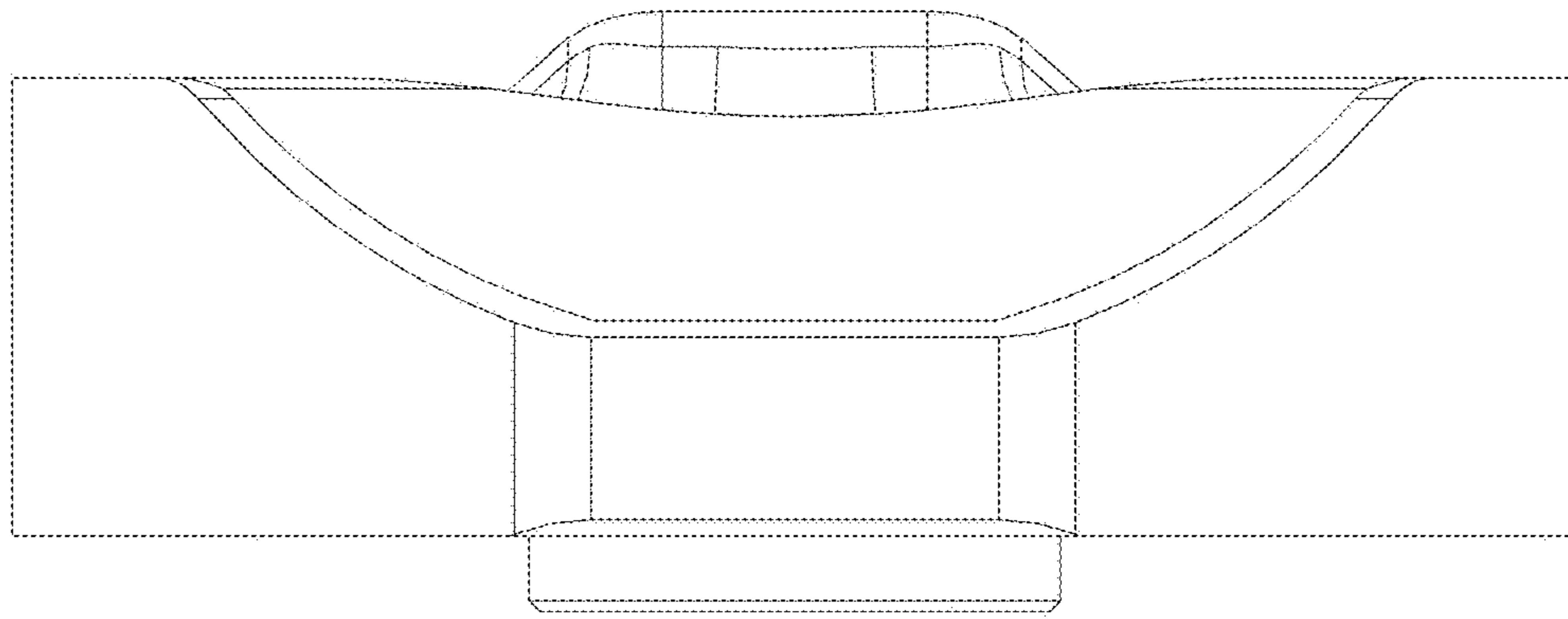


FIG. 6



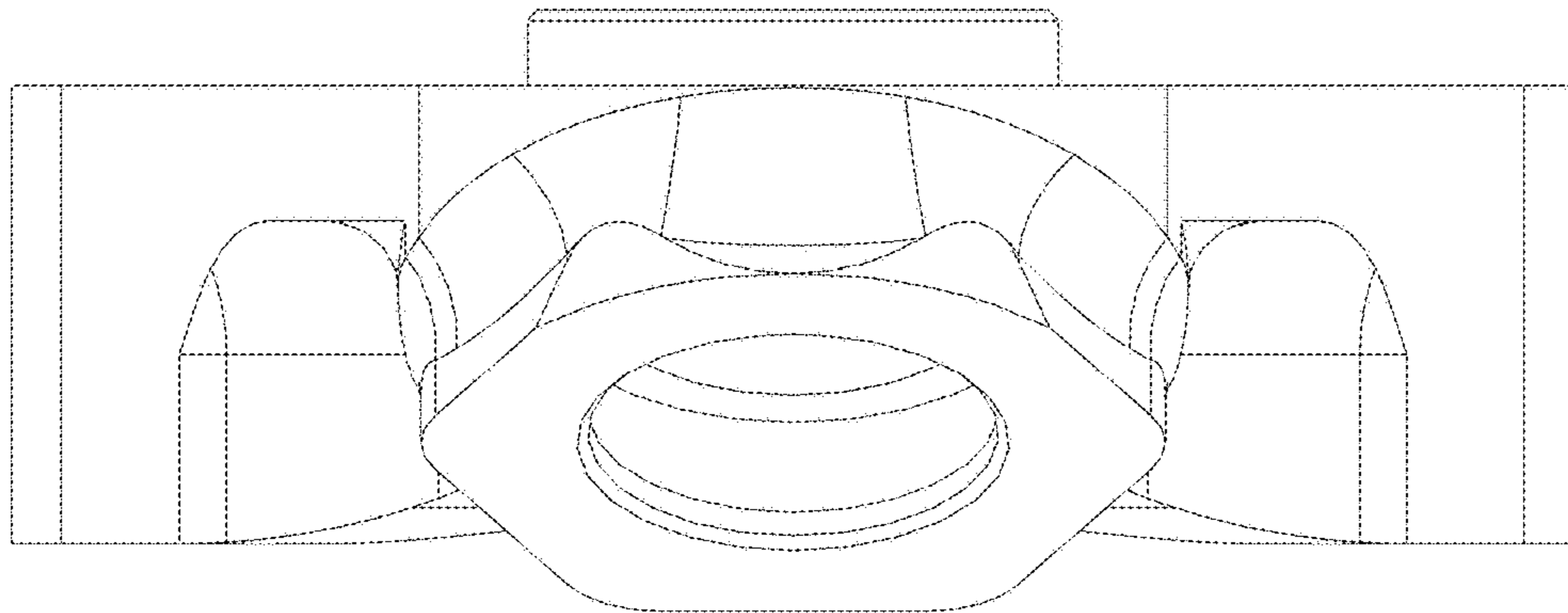


FIG. 7